

# TODX2950A(F)

## GENERAL PURPOSE OPTICAL TRANSCEIVING MODULE

- For JIS F07 Optical Connector
- CMOS level interface
- +5V Single Power Supply
- LED is driven by Differential circuit.
- 650nm LED

### 1. Absolute Maximum Ratings (Ta = 25°C)

| Characteristics           | Symbol           | Rating                        | Unit |
|---------------------------|------------------|-------------------------------|------|
| Storage Temperature       | T <sub>stg</sub> | -40 to 95                     | °C   |
| Operating Temperature     | T <sub>opr</sub> | -40 to 85                     | °C   |
| Supply Voltage            | V <sub>CC</sub>  | -0.5 to 6                     | V    |
| Input Voltage             | V <sub>IN</sub>  | -0.5 to V <sub>CC</sub> + 0.5 | V    |
| High Level Output Current | I <sub>OH</sub>  | -20                           | mA   |
| Low Level Output Current  | I <sub>OL</sub>  | 20                            | mA   |
| Soldering Temperature     | T <sub>sol</sub> | 260 (Note 1)                  | °C   |

Note 1: Soldering time ≤ 10 s (More than 1 mm apart from the package).

Note: Using continuously heavy loads (e.g. the application of high temperature/current/voltage and the significant change in temperature, etc.) may cause this product to decrease in the reliability significantly even if the operating conditions (i.e. operating temperature/current/voltage, etc.) are within the absolute maximum ratings. Please design the appropriate reliability upon reviewing the Toshiba Semiconductor Reliability Handbook ("Handling Precautions"/ "Derating Concept and Methods") and individual reliability data (i.e. reliability test report and estimated failure rate, etc).

### 2. Operating Ranges

| Characteristics           | Symbol          | Min  | Typ. | Max             | Unit |
|---------------------------|-----------------|------|------|-----------------|------|
| Supply Voltage            | V <sub>CC</sub> | 4.75 | 5.0  | 5.25            | V    |
| High Level Input Voltage  | V <sub>IH</sub> | 3.5  | -    | V <sub>CC</sub> | V    |
| Low Level Input Voltage   | V <sub>IL</sub> | 0    | -    | 1.5             | V    |
| High Level Output Current | I <sub>OH</sub> | -    | -    | -2.0            | mA   |
| Low Level Output Current  | I <sub>OL</sub> | -    | -    | 2.0             | mA   |

### 3. Electrical and Optical Characteristics (Ta = 25°C, Vcc = 5 V)

| Characteristics                   | Symbol      | Test Condition  | Min | Typ. | Max  | Unit    |
|-----------------------------------|-------------|---|-----|------|------|---------|
| Data Rate                         | -           | NRZ Code (Note 2)                                       | DC  | -    | 10   | Mb/s    |
| Transmission Distance             | -           | DC to 10 Mb/s, Using APF (Note 3)                       | 0.2 | -    | 50   | m       |
|                                   |             | DC to 6 Mb/s, Using APF (Note 3)                        | 0.2 | -    | 50   | m       |
| Pulse Width Distortion (Note 4)   | $\Delta tw$ | Pulse width 100 ns<br>Pulse cycle 200 ns, $C_L = 10$ pF | -30 | -    | 30   | ns      |
|                                   |             | Pulse width 165 ns<br>Pulse cycle 330 ns, $C_L = 10$ pF | -55 | -    | 55   | ns      |
| Fiber Output Power (Note 5)       | $P_f$       | R = 5.6 k $\Omega$                                      | -15 | -    | -9   | dBm     |
| Center Emission Wavelength        | $\lambda_c$ | -   | -   | 650  | -    | nm      |
| Current Consumption               | $I_{CC}$    | R = 5.6 k $\Omega$                                      | -   | 21   | 50   | mA      |
|                                   |             | R = 3.3 k $\Omega$                                      | -   | 27   | 60   | mA      |
| Maximum Receivable Power (Note 6) | $P_{MAX}$   | DC to 10 Mb/s, Using APF (Note 3)                       | -9  | -    | -    | dBm     |
| Minimum Receivable Power (Note 6) | $P_{MIN}$   | DC to 10 Mb/s, Using APF (Note 3)                       | -   | -    | -27  | dBm     |
|                                   |             | DC to 6 Mb/s, Using APF (Note 3)                        | -   | -    | -28  | dBm     |
| High Level Input Voltage          | $V_{IH}$    | -   | 3.5 | -    | -    | V       |
| Low Level Input Voltage           | $V_{IL}$    | -   | -   | -    | 1.5  | V       |
| High Level Input Current          | $I_{IH}$    | $V_{CC} = 5.25V, V_I = 2.7V$                            | -   | -    | 20   | $\mu A$ |
| Low Level Input Current           | $I_{IL}$    | $V_{CC} = 5.25V, V_I = 0.4V$                            | -   | -    | -0.4 | mA      |
| High Level Output Voltage         | $V_{OH}$    | $V_{CC} = 4.75V$  | 4.1 | 4.5  | -    | V       |
| Low Level Output Voltage          | $V_{OL}$    | $V_{CC} = 4.75V$  | -   | 0.1  | 0.4  | V       |

Note 2: LED is on when input signal is high level, it is off when low level.

High level output when optical flux is received. Low level output when it is not received.

The duty factor must be kept 25 to 75%.

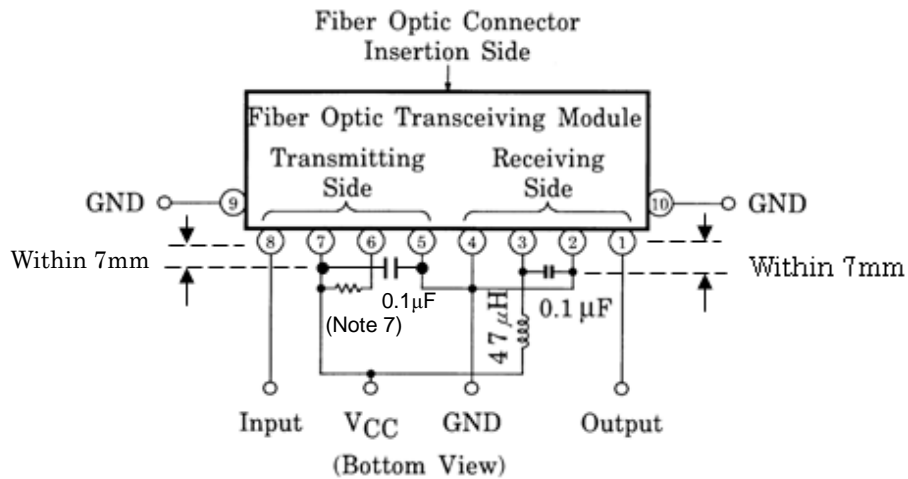
Note 3: All Plastic Fiber (980 / 1000  $\mu m$ , NA=0.5) with F07 type optical connector. Polished surface.

Note 4: Between input of TODX2950A(F) and output of TODX2950A(F).

Note 5: Measure with a standard optical fiber with fiber optic connectors. Valued by peak.

Note 6: BER  $\leq 10^{-9}$ , Valued by peak.

**4. Application Circuit**



Note 7: Select a resistor value as follows: (with TODX2950A(F))

(1) DC to 10 Mb/s (with TODX2950A(F))

| Fiber Optic Connector Type Name                                   | Transmission Distance (m) | Resistor (kΩ) |
|---|---------------------------|---------------|
| F07 type Optical Connector with APF(980/1000μm) Polished Surface. | 0.2 to 40                 | 5.6           |
|   | 10 to 50                  | 3.3           |

(2) DC to 6 Mb/s (with TODX2950A(F))

| Fiber Optic Connector Type Name                                   | Transmission Distance (m) | Resistor (kΩ) |
|---|---------------------------|---------------|
| F07 type Optical Connector with APF(980/1000μm) Polished Surface. | 0.2 to 50                 | 5.6           |

**5. Applicable Optical Fiber with Fiber Optic Connectors**

All Plastic Fiber (980/1000 μm, NA=0.5) with F07 type optical connector. Polished surface.

## 6. Precautions during use

- (1) **Absolute maximum rating**

The absolute maximum ratings are the limit values which must not be exceeded during operation of device. None of these rating value must not be exceeded. If the absolute maximum rating value is exceeded, the characteristics of devices may never be restored properly. In extreme cases, the device may be permanently damages.
- (2) **Operating Range**

The operating range is the range of conditions necessary for the device to operate as specified in individual technical datasheets and databooks. Care must be exercised in the design of the equipment.

If a device is used under conditions that do not exceed absolute maximum ratings but exceed the operating range, the specifications related to device operation and electrical characteristics may not be met, resulting in a decrease in reliability.

If greater reliability is required, derate the device's operating ranges for voltage, current, power and temperature before use.
- (3) **Lifetime of light emitters**

If an optical module is used for a long period of time, degeneration in the characteristics will mostly be due to a lowering of the fiber output power (Pf). This is caused by the degradation of the optical output of the LEDs used as the light source. The cause of degradation of the optical output of the LEDs may be defects in wafer crystallization or mold resin stress. The detailed causes are, however, not clear.

The lifetime of light emitters is greatly influenced by the operating conditions and the environment in which it is used as well as by the lifetime characteristics unique to the device type. Thus, when a light emitting device and its operating conditions determined, Toshiba recommend that lifetime characteristics be checked.

Depending on the environment conditions, Toshiba recommend that maintenance such as regular checks of the amount of optical output in accordance with the condition of operating environment.
- (4) **Soldering**

Optical modules are comprised of internal semiconductor devices. However, in principle, optical modules are optical components. During soldering, ensure that flux does not contact with the emitting surface or the detecting surface. Also ensure that proper flux removal is conducted after soldering.

Some optical modules come with a protective cap. The protective cap is used to avoid malfunction when the optical module is not in use. Note that it is not dust or waterproof.

As mentioned before, optical modules are optical components. Thus, in principle, soldering where there may be flux residue and flux removal after soldering is not recommended. Toshiba recommend that soldering be performed without the optical module mounted on the board. Then, after the board has been cleaned, the optical module should be soldered on to the board manually.

If the optical module cannot be soldered manually, use non-halogen (chlorine-free) flux and make sure, without cleaning, there is no residue such as chlorine. This is one of the ways to eliminate the effects of flux. In such a cases, be sure to check the devices' reliability.
- (5) **Noise resistance**

It is believed that the use of optical transfer devices improve noise resistance. In theory, optical fiber is not affected by noise at all. However, receiving modules which handle signals whose level is extremely small, are susceptible to noise.

TOSLINK improve noise resistance to use a conductive case. However, the current signal output by the optical receiving modules' photodiode is extremely small. Thus, in some environments, shielding the case may not achieve sufficient noise resistance.

First systems which incorporate TOSLINK, Toshiba recommend testing using the actual device to check its noise resistance.

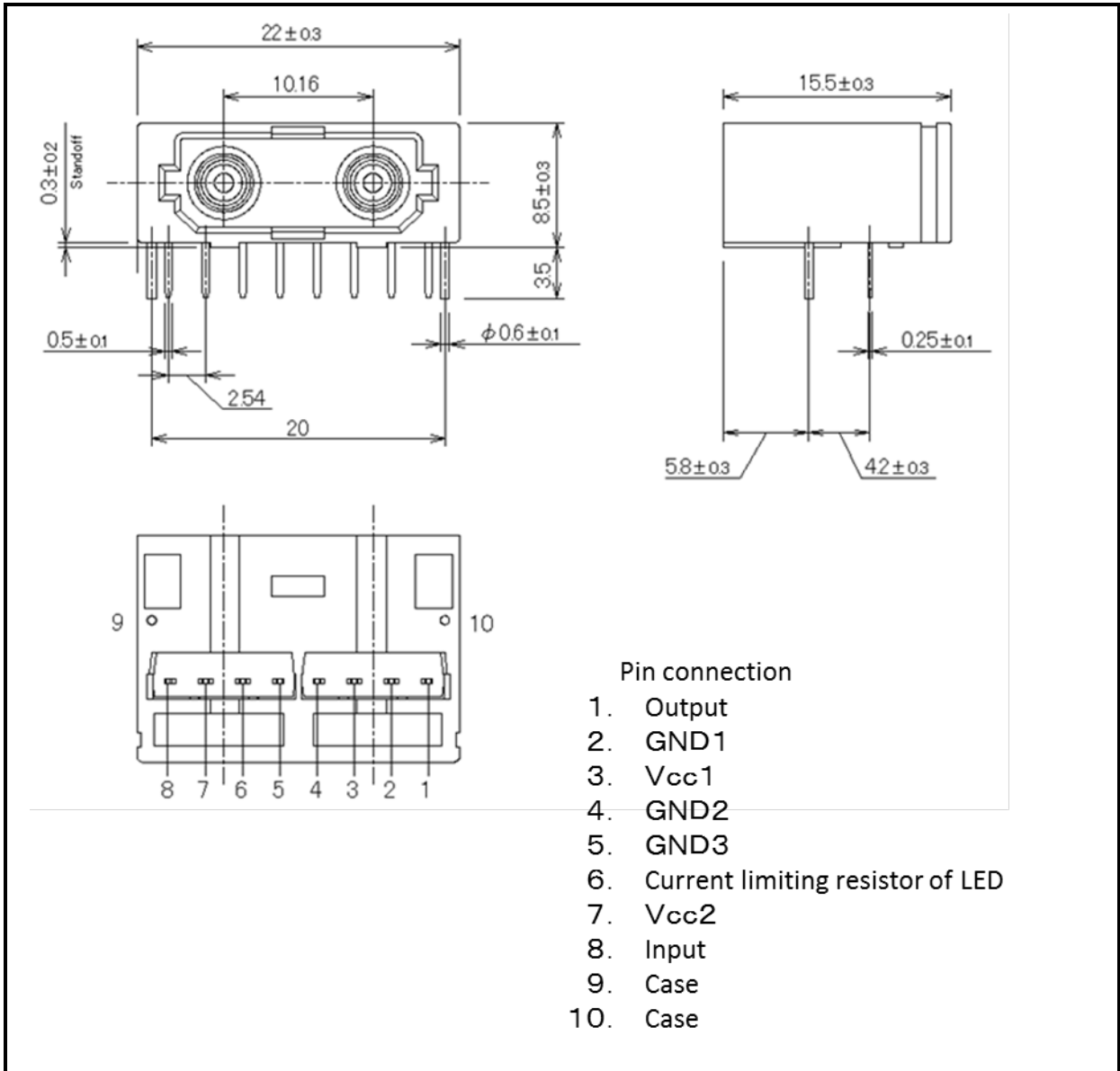
Use a simple noise filter on TOSLINK fiber optic transceiving module's power line. If the ripple in the power supply used is significant, reinforce the filter.

The optical module is to be used in an area which is susceptible to radiated noise, increase the shielding by covering the optical module and the power line filter with a metallic cover.

- (6) **Vibration and shock**  
This module is plastic sealed and has its wire fixed by resin. This structure is relatively resistant to vibration and shock. In actual equipment, there are sometime cases in which vibration, shock, or stress is applied to soldered parts or connected parts, resulting in lines cut. A care must be taken in the design of equipment which will be subject to high levels of vibration.
- (7) **Fixing fiber optical transceiving module**  
Solder the fixed pin (pins 9 and 10) of fiber optic transceiving module TODX2950A(F) to the printed circuit board to fix the module to the board.
- (8) **Shielding and wiring pattern of fiber optical transceiving modules**  
To shield, connect the fixed pins (pins 9 and 10) of fiber optic transceiving module TODX2950A(F) to the GND.  
Where the fiber optical transceiving module uses conductive resin, be careful that the case does not touch wiring (including land).  
To improve noise resistance, shield the optical module and the power line filter using a metallic cover.
- (9) **Solvent**  
When using solvent for flux removal, do not use a high acid or high alkali solvent. Be careful not to pour solvent in to the optical connector ports. If solvent is inadvertently poured in to them, clean it off using cotton tips.
- (10) **Protective cap**  
When the TODX2950A(F) is not in use, attach the protective cap.
- (11) **Incidence of a photo flash**  
If strong light such as a photo flash is incident on an optical module, a transmission error may occur. Be careful, to avoid such situations.
- (12) **Supply voltage**  
Use the supply voltage within the operating ranges ( $V_{CC} = 5 \pm 0.25$  V). Make sure that supply voltage does not exceed the absolute maximum rating value of 6 V, even for an instant.
- (13) **Input voltage**  
If a voltage exceeding the absolute maximum rating value ( $V_{CC}+0.5$  V) is applied to the transmitter input, the internal IC may suffer damage. If there is a possibility that excessive voltage due to surges may be added to the input terminal, insert a protective circuit.
- (14) **Output**  
If the receiver output is at low and is connected to the power supply, or if the output is high and is connected to GND, the internal IC may be destroyed.
- (15) **Soldering condition**  
Solder at 260°C or less for no more than ten seconds.
- (16) **Precautions when disposing of devices and packing materials.**  
When disposing devices and packing materials, follow the procedures stipulated by local regulations in order to protect the environment against contamination.

7. Package Outline drawing

Unit: mm



## RESTRICTIONS ON PRODUCT USE

- Toshiba Corporation, and its subsidiaries and affiliates (collectively "TOSHIBA"), reserve the right to make changes to the information in this document, and related hardware, software and systems (collectively "Product") without notice.
- This document and any information herein may not be reproduced without prior written permission from TOSHIBA. Even with TOSHIBA's written permission, reproduction is permissible only if reproduction is without alteration/omission.
- Though TOSHIBA works continually to improve Product's quality and reliability, Product can malfunction or fail. Customers are responsible for complying with safety standards and for providing adequate designs and safeguards for their hardware, software and systems which minimize risk and avoid situations in which a malfunction or failure of Product could cause loss of human life, bodily injury or damage to property, including data loss or corruption. Before customers use the Product, create designs including the Product, or incorporate the Product into their own applications, customers must also refer to and comply with (a) the latest versions of all relevant TOSHIBA information, including without limitation, this document, the specifications, the data sheets and application notes for Product and the precautions and conditions set forth in the "TOSHIBA Semiconductor Reliability Handbook" and (b) the instructions for the application with which the Product will be used with or for. Customers are solely responsible for all aspects of their own product design or applications, including but not limited to (a) determining the appropriateness of the use of this Product in such design or applications; (b) evaluating and determining the applicability of any information contained in this document, or in charts, diagrams, programs, algorithms, sample application circuits, or any other referenced documents; and (c) validating all operating parameters for such designs and applications. **TOSHIBA ASSUMES NO LIABILITY FOR CUSTOMERS' PRODUCT DESIGN OR APPLICATIONS.**
- **PRODUCT IS NEITHER INTENDED NOR WARRANTED FOR USE IN EQUIPMENTS OR SYSTEMS THAT REQUIRE EXTRAORDINARILY HIGH LEVELS OF QUALITY AND/OR RELIABILITY, AND/OR A MALFUNCTION OR FAILURE OF WHICH MAY CAUSE LOSS OF HUMAN LIFE, BODILY INJURY, SERIOUS PROPERTY DAMAGE AND/OR SERIOUS PUBLIC IMPACT ("UNINTENDED USE").** Except for specific applications as expressly stated in this document, Unintended Use includes, without limitation, equipment used in nuclear facilities, equipment used in the aerospace industry, medical equipment, equipment used for automobiles, trains, ships and other transportation, traffic signaling equipment, equipment used to control combustions or explosions, safety devices, elevators and escalators, devices related to electric power, and equipment used in finance-related fields. **IF YOU USE PRODUCT FOR UNINTENDED USE, TOSHIBA ASSUMES NO LIABILITY FOR PRODUCT.** For details, please contact your TOSHIBA sales representative.
- Do not disassemble, analyze, reverse-engineer, alter, modify, translate or copy Product, whether in whole or in part.
- Product shall not be used for or incorporated into any products or systems whose manufacture, use, or sale is prohibited under any applicable laws or regulations.
- The information contained herein is presented only as guidance for Product use. No responsibility is assumed by TOSHIBA for any infringement of patents or any other intellectual property rights of third parties that may result from the use of Product. No license to any intellectual property right is granted by this document, whether express or implied, by estoppel or otherwise.
- **ABSENT A WRITTEN SIGNED AGREEMENT, EXCEPT AS PROVIDED IN THE RELEVANT TERMS AND CONDITIONS OF SALE FOR PRODUCT, AND TO THE MAXIMUM EXTENT ALLOWABLE BY LAW, TOSHIBA (1) ASSUMES NO LIABILITY WHATSOEVER, INCLUDING WITHOUT LIMITATION, INDIRECT, CONSEQUENTIAL, SPECIAL, OR INCIDENTAL DAMAGES OR LOSS, INCLUDING WITHOUT LIMITATION, LOSS OF PROFITS, LOSS OF OPPORTUNITIES, BUSINESS INTERRUPTION AND LOSS OF DATA, AND (2) DISCLAIMS ANY AND ALL EXPRESS OR IMPLIED WARRANTIES AND CONDITIONS RELATED TO SALE, USE OF PRODUCT, OR INFORMATION, INCLUDING WARRANTIES OR CONDITIONS OF MERCHANTABILITY, FITNESS FOR A PARTICULAR PURPOSE, ACCURACY OF INFORMATION, OR NONINFRINGEMENT.**
- GaAs (Gallium Arsenide) is used in Product. GaAs is harmful to humans if consumed or absorbed, whether in the form of dust or vapor. Handle with care and do not break, cut, crush, grind, dissolve chemically or otherwise expose GaAs in Product.
- Do not use or otherwise make available Product or related software or technology for any military purposes, including without limitation, for the design, development, use, stockpiling or manufacturing of nuclear, chemical, or biological weapons or missile technology products (mass destruction weapons). Product and related software and technology may be controlled under the applicable export laws and regulations including, without limitation, the Japanese Foreign Exchange and Foreign Trade Law and the U.S. Export Administration Regulations. Export and re-export of Product or related software or technology are strictly prohibited except in compliance with all applicable export laws and regulations.
- Please contact your TOSHIBA sales representative for details as to environmental matters such as the RoHS compatibility of Product. Please use Product in compliance with all applicable laws and regulations that regulate the inclusion or use of controlled substances, including without limitation, the EU RoHS Directive. **TOSHIBA ASSUMES NO LIABILITY FOR DAMAGES OR LOSSES OCCURRING AS A RESULT OF NONCOMPLIANCE WITH APPLICABLE LAWS AND REGULATIONS.**