

250 V/1 A High voltage intelligent power device

“TPD4151F” is an intelligent power device (IPD) with rectangular wave conduction circuit for driving fan motors used for air conditioners, air purifiers, pumps and the like.

TPD4151F is rated at 250 V/1 A, supporting AC100 V power supplies. It uses the small surface mount HSSOP31 package that replaces the DIP26 package of the existing TPD4151K.



Features

- IPD with rectangular wave conduction circuit
- Using HSSOP31 small surface mount package
- Rated at 250 V/1 A, supporting AC100 V power supplies.

Applications

- Air conditioners
- Air purifiers
- Pumps



Air conditioners



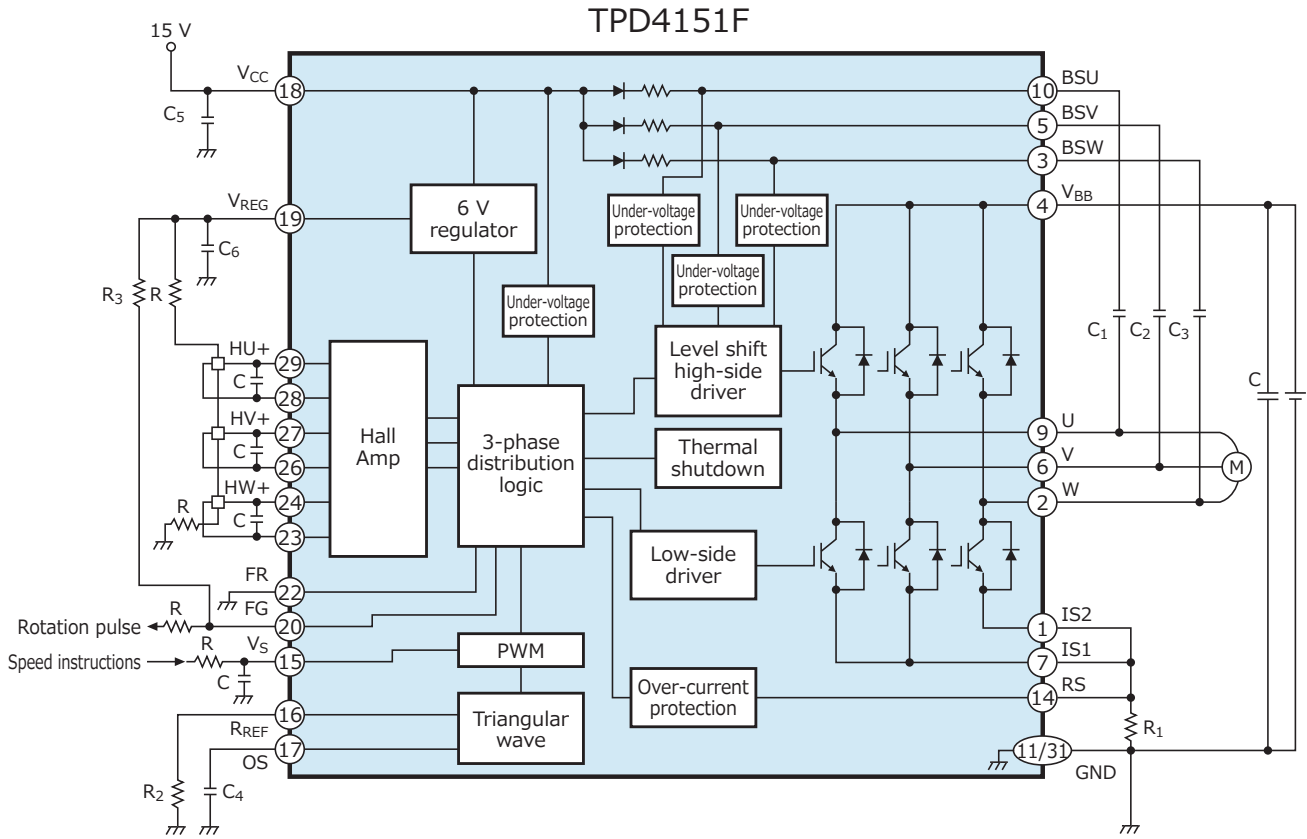
Air purifiers

Product Specifications

(@T_a=25°C)

| Part number | Absolute maximum ratings | | Function | | | | | Package | |
|-------------|--|--|----------------|-------------------------------|-------------------------|------------------|--------------------------|---------|----------------------|
| | Power Supply Voltage V _{BB} (V) | Output current (DC) I _{OUT} (A) | Hall amp input | Forward/Reverse selection pin | Over-current protection | Thermal shutdown | Under-voltage protection | Name | Size typ. (mm) |
| TPD4151F | 250 | 1 | ✓ | ✓ | ✓ | ✓ | ✓ | HSSOP31 | 17.5×11.93×2.2 (max) |

Circuit Block Diagram and Application Circuit Example



The application circuits shown in this document are provided for reference purposes only. Thorough evaluation is required, especially at the mass-production design stage. Toshiba Electronic Devices & Storage Corporation does not grant any license to any industrial property rights by providing these examples of application circuits.

Before creating and producing designs and using, customers must also refer to and comply with the latest versions of all relevant information of this document and the instructions for the application that Product will be used with or for.