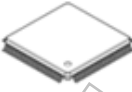




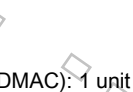
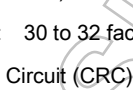
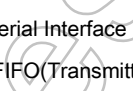


## CMOS Digital Integrated Circuit Silicon Monolithic

# TMPM4K Group(2)

## General Description

- Arm® Cortex®-M4 processor with FPU  
Operation frequency: 1 to 160 MHz, Operation voltage: 2.7 to 5.5 V
- Code flash: 128 to 512 KB, Data flash: 32KB
- Package: 64-pin to 144-pin. 8 types of packages are available.
- Hardware IPs such as A-VE+, 12-bit ADC, and A-PMD are provided for implementation of vector control and PFC control

	LQFP144	20x20mm, 0.5mm pitch
	LQFP100	14x14mm, 0.5mm pitch
	LQFP80	14x14mm, 0.65mm pitch
	LQFP80	12x12mm, 0.5mm pitch
	LQFP64	12x12mm, 0.65mm pitch
	LQFP64	10x10mm, 0.5mm pitch
	LQFP128	14x20mm, 0.5mm pitch
	QFP100	14x20mm, 0.65mm pitch

## Applications

Motors, major appliances using motors, and industrial equipment.

## Features

- Arm Cortex-M4 processor with FPU
  - Operation frequency: 1 to 160 MHz
  - Memory Protection Unit (MPU)
- Low-power consumption mode
  - Operation voltage: 2.7 to 5.5 V
  - Low-power consumption operation: IDLE, STOP1
- Operation temperature: -40 to +105°C
- Internal memory
  - Code flash: 128 to 512 KB, rewritable up to 10,000 times
  - Data flash: 32KB rewritable up to 100,000 times
  - Data flash is rewritable in parallel with instruction execution
  - RAM: 24KB, with parity
- Clock
  - External high speed oscillator: 6 to 12 MHz(Ceramic, Crystal)
  - External high speed clock input: 6 to 10 MHz
  - Internal high speed oscillator (IHOSC1): 10 MHz, user trimming function
  - PLL: 160 MHz output(System clock)
- Oscillation frequency detection (OFD): Abnormal system clock detection
- Voltage Detection (LVD): 8 level, Generate interrupts and reset outputs
- Interruption
  - External: 15 to 22 factors, with DNF
  - Internal: 95 to 105factors
- I/O ports: 51 to 131 (Input:2, Output:1)
  - 5V-tolerant, open-drain, pull-up/-down
- On-chip debug (JTAG/SW), NBDIF(RAM monitor)
- Trigger Selector (TRGSEL)
  - Expand Trigger request for DMAC, Timer, others
- DMA controller (DMAC): 1 unit
  - DMA requests: 30 to 32 factors, internal/external triggers
- CRC Calculation Circuit (CRC): CRC32, CRC16
- Asynchronous Serial Interface (UART): 3 to 4 channels
  - 5Mbps(Max), FIFO(Transmitter 8-stage, Receive 8-stage)
- Serial Peripheral Interface (TSPI): 2 channels
  - SIO/SPI mode, 10Mbps(MAX), FIFO(Transmitter: 16bitx8, Receive: 16bitx8)
- I<sup>2</sup>C Interface (I<sup>2</sup>C): 2 channels, Multi Master
- CAN controller (CAN): 0 to 1 channel
  - Version2.0B Active, 32 mailbox, MAX 1Mbps
- 12-bit Analog to Digital Converter (ADC): 14 to 32 inputs in 3 units
  - Conversion time: 1.0 μs at ADCLK=160MHz
  - Self-diagnosis support function
- Operational Amplifier (OPAMP): 3 channels
  - Gain selectable
- Advanced programmable motor control circuit (A-PMD): 3 channels
  - 3-phase complementary PWM output, Synchronized with ADC
  - PFC control: support 3-phase interleaved PFC
  - Emergency stop function by external inputs (EMG pin, OVV pin)
- Advanced vector engine plus (A-VE+): 1 channel
  - Vector control coprocessor cooperates with ADC/A-PMD
  - 1-shunt current detection area can be enlarged
  - Dead time compensation control, non-interference control
- Advanced Encoder input circuit (32-bit) (A-ENC32): 1 to 3 channels
  - Encoder/sensor (3 types)/Timer /Phase counter mode

Start of commercial production  
**2019-05**

- 32-bit Timer Event Counter (T32A)
  - 6 channels as 32-bit Timers, 12 channels as 16-bit Timers
  - Interval Timer, event counter, input capture, phase difference input, PPG output, Sync Start, Trigger start
- Watchdog timer (SIWDT): 1 channel
  - Clock system other than the system clock can be selected
  - Clear window, interrupts and reset output

Not Recommended  
for New Design

## Products Lists Categorized by Functions

The product under development is contained in this table.

For the newest status of each product, Please contact your sales representative.

Table.1 Products Lists

Built-in Functions		TMPM4KQFDFG	TMPM4KPFDDFG	TMPM4KNFDDFG	TMPM4KMFDDFG	TMPM4KLFUDUG
		TMPM4KQFYFG	TMPM4KPFYDFG	TMPM4KNFYDFG	TMPM4KMFYDFG	TMPM4KLFYUG
		TMPM4KQFWFG	TMPM4KPFWDFG	TMPM4KNFWDFG	TMPM4KMFWDFG	TMPM4KLFWUG
				TMPM4KNFDFG	TMPM4KMFDFG	TMPM4KLFDFG
				TMPM4KNFYFG	TMPM4KMFYFG	TMPM4KLFYFG
				TMPM4KNFWFG	TMPM4KMFWFG	TMPM4KLFWFG
Memory	Code Flash (KB)	512 256 128	512 256 128	512 256 128	512 256 128	512 256 128
	Data Flash (KB)	32	32	32	32	32
	RAM (KB)	24	24	24	24	24
I/O port	PORT(pin)	131	115	87	67	51
External interrupt	INT (pin)	22	21	20	18	15
DMA	DMAC (ch)	32	32	32	32	30
Timer function	T32A (ch)	6	6	6	6	6
Serial communication function	UART (ch)	4	4	4	4	3
	I <sup>2</sup> C (ch)	2	2	2	2	2
	TSPI(SIO) (ch)	2	2	2	2	2
	CAN (ch)	1	1	1	N/A	N/A
Analog function	12-bit ADC Unit A/B/C (AIN ch)	16/8/8	16/8/8	11/5/6	8/5/4	8/3/3
	OPAMP (Unit)	3	3	3	3	3
Motor control peripherals	A-VE+ (ch)	1	1	1	1	1
	A-PMD (ch)	3	3	3	3	3
	A-ENC32 (ch)	3	3	3	2	1
Other peripherals	CRC (ch)	1	1	1	1	1
	RAMP (ch)	2	2	2	2	2
System function	LVD	1	1	1	1	1
	WDT (ch)	1	1	1	1	1
	OFD	1	1	1	1	1
	POR	1	1	1	1	1
Debug interface	Debug	JTAG/SW TRACE(4bits) NBDIF	JTAG/SW TRACE(4bits) NBDIF	JTAG/SW TRACE(4bits) NBDIF	SW	SW
Package	Package type	LQFP144 (20 mm x 20 mm, 0.5 mm pitch)	LQFP128 (14 mm x 20 mm, 0.5 mm pitch)	QFP100 (14 mm x 20 mm, 0.65 mm pitch)	LQFP80 (14 mm x 14 mm, 0.65 mm pitch)	LQFP64 (10 mm x 10 mm, 0.5 mm pitch)
				LQFP100 (14 mm x 14 mm, 0.5 mm pitch)	LQFP80 (12 mm x 12 mm, 0.5 mm pitch)	LQFP64 (12 mm x 12 mm, 0.65 mm pitch)

## Contents

General Description.....	1
Applications.....	1
Features .....	1
Products Lists Categorized by Functions.....	3
Contents .....	4
List of Figures.....	8
List of Tables.....	9
Preface .....	10
Conventions.....	10
Terms and Abbreviations.....	12
1. Block Diagram.....	13
2. Pin Assignment.....	14
2.1. LQFP144 .....	14
2.2. LQFP128 .....	15
2.3. QFP100 .....	16
2.4. LQFP100 .....	17
2.5. LQFP80 .....	18
2.6. LQFP64 .....	19
3. Memory Map .....	20
3.1. List of Memory Sizes .....	21
4. Pin Description.....	22
4.1. Functional Pin Name and Functions .....	22
4.1.1. Function Pins of Peripheral .....	22
4.1.2. Debug Pins.....	24
4.1.3. Control Pins.....	25
4.1.4. Power Supply Pins .....	25
4.1.5. Capacitors between power supply pins .....	26
4.2. Functional Pin and Ports Assignment (Pin Number) .....	27
4.3. Ports .....	35
4.3.1. Port Specification Table.....	36
5. Functional Description and Operation Description .....	41
5.1. Reference Manuals .....	41
5.2. Processor Core.....	42
5.2.1. Core Information.....	42
5.2.2. Configurable Options.....	42
5.3. Clock Control and Operation Mode (CG).....	43
5.4. Flash Memory (Code FLASH, Data FLASH) .....	43
5.5. Oscillator.....	44

5.6. Trimming Circuit (TRM) .....	44
5.7. Oscillation Frequency Detection Circuit (OFD) .....	44
5.8. Voltage Detection Circuit (LVD) .....	45
5.9. Digital Noise Filter circuit(DNF) .....	45
5.10. Debug Interface (DEBUG).....	46
5.10.1. Non Break Debug Interface (NBDIF) .....	46
5.11. DMA Controller (DMAC).....	47
5.12. Asynchronous Serial Communication Circuit (UART) .....	47
5.13. Serial Peripheral Interface (TSPI) .....	48
5.14. I <sup>2</sup> C Interface (I <sup>2</sup> C) .....	48
5.15. CAN controller (CAN) .....	48
5.16. 12-bit Analog to Digital Converter (ADC) .....	49
5.17. Operational Amplifier (OPAMP) .....	49
5.18. Advanced Programmable Motor Control Circuit (A-PMD) .....	50
5.19. Advanced Encoder Input Circuit (32-bit) (A-ENC32) .....	50
5.20. Advanced Vector Engine Plus (A-VE+).....	51
5.21. 32-bit Timer Event Counter (T32A) .....	51
5.22. Clock Selective Watchdog Timer (SIWDT) .....	52
5.23. CRC Calculation Circuit (CRC) .....	52
5.24. RAM Parity (RAMP).....	52
6. Equivalent Circuit.....	53
6.1. Port .....	53
6.2. Analog Reference pin .....	56
6.3. Control Pin .....	57
6.4. Clock control .....	57
7. Electrical Characteristics.....	58
7.1. Absolute Maximum Ratings.....	58
7.2. DC Electrical Characteristics (1/2) .....	60
7.3. DC Electrical Characteristics (2/2) .....	64
7.4. 12-bit AD Converter Characteristics.....	66
7.5. Operational Amplifier (OPAMP) Characteristics .....	67
7.6. Characteristics of Internal processing at RESET .....	68
7.7. Characteristics of Power on Reset.....	68
7.8. Characteristics of Voltage Detection Circuit.....	69
7.9. AC Electrical Characteristics .....	70
7.9.1. Serial Peripheral Interface (TSPI) .....	70
7.9.1.1. AC Measurement Conditions.....	70
7.9.1.2. AC Electrical Characteristics .....	70
7.9.2. I <sup>2</sup> C Interface (I <sup>2</sup> C) .....	77
7.9.2.1. AC Measurement Conditions.....	77
7.9.2.2. AC Electrical Characteristics .....	77

7.9.3. 32-bit Timer Event Counter (T32A).....	79
7.9.3.1. AC Measurement Conditions.....	79
7.9.3.2. AC Electrical Characteristics .....	79
7.9.4. External Interrupt.....	80
7.9.4.1. AC Measurement Conditions.....	80
7.9.4.2. AC Electrical Characteristics .....	80
7.9.5. Trigger Input (TRGINx).....	81
7.9.5.1. AC Measurement Conditions.....	81
7.9.5.2. AC Electrical Characteristics .....	81
7.9.6. Debug Communication .....	82
7.9.6.1. AC Measurement Conditions.....	82
7.9.6.2. SW Interface .....	82
7.9.6.3. JTAG Interface .....	83
7.9.6.4. ETM Trace .....	84
7.9.6.5. Non Break Debug Interface (NBDIF).....	85
7.9.7. Noise Filter Characteristics.....	86
7.9.8. External Clock Input .....	86
7.9.8.1. AC Measurement Conditions.....	86
7.9.8.2. AC Electrical Characteristics .....	86
7.10. Flash Memory Characteristics.....	87
7.10.1. Code Flash .....	87
7.10.2. Data Flash .....	87
7.10.3. Chip Erase.....	87
7.11. Regulator .....	88
7.12. Oscillation Circuit.....	89
7.12.1. Internal Oscillation .....	89
7.12.2. External Oscillator .....	89
7.12.3. Oscillation Circuit.....	89
7.12.4. Ceramic Oscillator .....	90
7.12.5. Crystal Oscillator .....	90
7.12.6. Precautions for designing printed circuit board.....	90
8. Package Dimensions .....	91
8.1. P-LQFP144-2020-0.50-002.....	91
8.2. P-LQFP128-1420-0.50-001.....	92
8.3. P-LQFP100-1414-0.50-002.....	93
8.4. P-QFP100-1420-0.65-001 .....	94
8.5. P-LQFP80-1414-0.65-001 .....	95
8.6. P-LQFP80-1212-0.50-003.....	96
8.7. P-LQFP64-1010-0.50-003.....	97
8.8. P-LQFP64-1212-0.65-001 .....	98
9. Precautions .....	99
10. Revision History .....	100
Appendix.....	101

---

List of All pins.....	101
Part Naming Conventions.....	104
RESTRICTIONS ON PRODUCT USE.....	105

Not Recommended  
for New Design

**List of Figures**

Figure 1.1	Block diagram of the TMPM4K Group(2) products .....	13
Figure 3.1	Example of the TMPM4KxFD .....	20
Figure 4.1	Capacitors for power supply pins connection circuit .....	26
Figure 7.1	Through rate .....	67
Figure 7.2	1 <sup>st</sup> clock edge sampling (Master) .....	75
Figure 7.3	2 <sup>nd</sup> clock edge sampling (Master) .....	75
Figure 7.4	2 <sup>nd</sup> clock edge sampling (Slave) .....	76
Figure 7.5	AC timing of I <sup>2</sup> C .....	78
Figure 7.6	Count Pulse input .....	80
Figure 7.7	JTAG/SW waveform .....	83
Figure 7.8	Trace signal waveform .....	84
Figure 7.9	AC timing of NBDIF .....	85
Figure 7.10	External clock input waveform .....	86
Figure 7.11	Oscillation circuit sample .....	89

Not Recommended  
for New Design



## List of Tables

Table.1	Products Lists.....	3
Table 3.1	Memory sizes and addresses .....	21
Table 4.1	Pin names and functions of peripheral pins.....	22
Table 4.2	Debug pin names and their function .....	24
Table 4.3	Control pin names and their function .....	25
Table 4.4	Power supply pin names and their function .....	25
Table 4.5	Signal connection List (1/8).....	27
Table 4.6	Signal connection List (2/8).....	28
Table 4.7	Signal connection List (3/8).....	29
Table 4.8	Signal connection List (4/8).....	30
Table 4.9	Signal connection List (5/8).....	31
Table 4.10	Signal connection List (6/8).....	32
Table 4.11	Signal connection List (7/8).....	33
Table 4.12	Signal connection List (8/8).....	34
Table 4.13	Pin numbers, and specifications of Port A, B, C, D .....	36
Table 4.14	Pin numbers, and specifications of Port E, F, G, H .....	37
Table 4.15	Pin numbers, and specifications of Port J, K, L .....	38
Table 4.16	Pin numbers, and specifications of Port M, N, P, R .....	39
Table 4.17	Pin numbers, and specifications of Port T, U, V, W .....	40
Table 5.1	Reference Manuals for TMPM4K Group(2).....	41
Table 5.2	Core revision .....	42
Table 5.3	Configurable options and their implementations .....	42
Table 5.4	Built-in Oscillator .....	44
Table 5.5	Built-in TRM.....	44
Table 5.6	Built-in OFD.....	44
Table 5.7	Built-in LVD .....	45
Table 5.8	Number of External Interrupt (Built-in DNF) .....	45
Table 5.9	Built-in Debug Interface .....	46
Table 5.10	Built-in DMAC.....	47
Table 5.11	Built-in UART .....	47
Table 5.12	Built-in TSPI .....	48
Table 5.13	Built-in I <sup>2</sup> C .....	48
Table 5.14	Built-in CAN.....	48
Table 5.15	Built-in ADC channel list .....	49
Table 5.16	Built-in OPAMP .....	49
Table 5.17	Built-in A-PMD.....	50
Table 5.18	Built-in A-ENC .....	50
Table 5.19	Built-in A-VE+ .....	51
Table 5.20	Built-in T32A.....	51
Table 5.21	Built-in SIWDT.....	52
Table 5.22	Built-in CRC.....	52
Table 5.23	Built-in RAMP.....	52
Table 7.1	Absolute maximum ratings.....	58
Table 7.2	Thermal resistance of IC package and maximum allowable power table .....	59
Table 7.3	I <sub>DD</sub> measurement condition (Pin setting, Oscillation Circuit) .....	64
Table 7.4	I <sub>DD</sub> measurement condition (CPU, Peripheral) .....	65
Table 10.1	Revision History .....	100

## Preface

### Conventions

- Numeric formats follow the rules as shown below:
  - Hexadecimal: 0xABC
  - Decimal: 123 or 0d123 – Only when it needs to be explicitly shown that they are decimal numbers.
  - Binary: 0b111 – It is possible to omit the "0b" when the number of bit can be distinctly understood from a sentence.
- "\_N" is added to the end of signal names to indicate low active signals.
- It is called "assert" that a signal moves to its active level, "deassert" to its inactive level.
- When two or more signal names are referred, they are described like as [m: n].  
Example: S[3: 0] shows four signal names S3, S2, S1 and S0 together.
- The characters surrounded by [ ] defines the register.  
Example: [ABCD]
- "n" substitutes suffix number of two or more same kind of registers, fields, and bit names.  
Example: [XYZ1], [XYZ2], [XYZ3] → [XYZn]
- "x" substitutes suffix number or character of units and channels in the Register List.  
In case of unit, "x" means A, B, and C ...  
Example: [ADACR0], [ADBCR0], [ADCCR0] → [ADxCR0]  
In case of channel, "x" means 0, 1, and 2 ...  
Example: [T32A0RUNA], [T32A1RUNA], [T32A2RUNA] → [T32AxRUNA]
- The bit range of a register is written like as [m: n].  
Example: Bit[3: 0] expresses the range of bit 3 to 0.
- The configuration value of a register is expressed by either the hexadecimal number or the binary number.  
Example: [ABCD]<EFG> =0x01 (hexadecimal), [XYZn]<VW> =1 (binary)
- Word and Byte represent the following bit length.
  - Byte: 8 bits
  - Half word: 16 bits
  - Word: 32 bits
  - Double word: 64 bits
- Properties of each bit in a register are expressed as follows:
  - R: Read only
  - W: Write only
  - R/W: Read and Write are possible
- Unless otherwise specified, register access supports only word access.
- The register defined as reserved must not be rewritten. Moreover, do not use the read value.
- The value read from the bit having default value of "-" is unknown.
- When a register containing both of writable bits and read-only bits is written, read-only bits should be written with their default value, In the cases that default is "-", follow the definition of each register.
- Reserved bits of the Write-only register should be written with their default value.  
In the cases that default is "-", follow the definition of each register.
- Do not use read-modified-write processing to the register of a definition which is different by writing and read out.

\*\*\*\*\*  
Arm, Cortex and Thumb are registered trademarks of Arm Limited (or its subsidiaries) in the US  
and/or elsewhere. All rights reserved.  
\*\*\*\*\*



The Flash memory uses the SuperFlash® technology under license from Silicon Storage Technology, Inc.  
SuperFlash® is registered trademark of Silicon Storage Technology, Inc.

All other company names, product names, and service names mentioned herein may be trademarks of their  
respective companies.

Not Recommended  
for New Design

## Terms and Abbreviations

Some of abbreviations used in this document are as follows:

ADC	Analog to Digital Converter
A-ENC32	Advanced Encoder Input Circuit (32-bit)
A-PMD	Advanced Programmable Motor Control Circuit
A-VE+	Advanced Vector Engine Plus
CAN	Controller Area Network
CRC	Cyclic Redundancy Check
DMAC	Direct Memory Access Controller
DNF	Digital Noise Filter
EHOSC	External High speed Oscillator
IHOSC	Internal High speed Oscillator
INT	Interrupt
I <sup>2</sup> C	Inter-Integrated Circuit
LVD	Voltage Detection Circuit
NBDIF	Non Break Debug Interface
NMI	Non-Maskable Interrupt
OFD	Oscillation Frequency Detector
OPAMP	Operational Amplifier
POR	Power On Reset Circuit
RAMP	RAM parity
SIWDT	Clock Selective Watchdog timer
TRGSEL	Trigger Selection circuit
TRM	Trimming circuit
TSPI	Serial Peripheral Interface
T32A	32-bit Timer Event Counter
UART	Universal Asynchronous Receiver Transmitter

## 1. Block Diagram

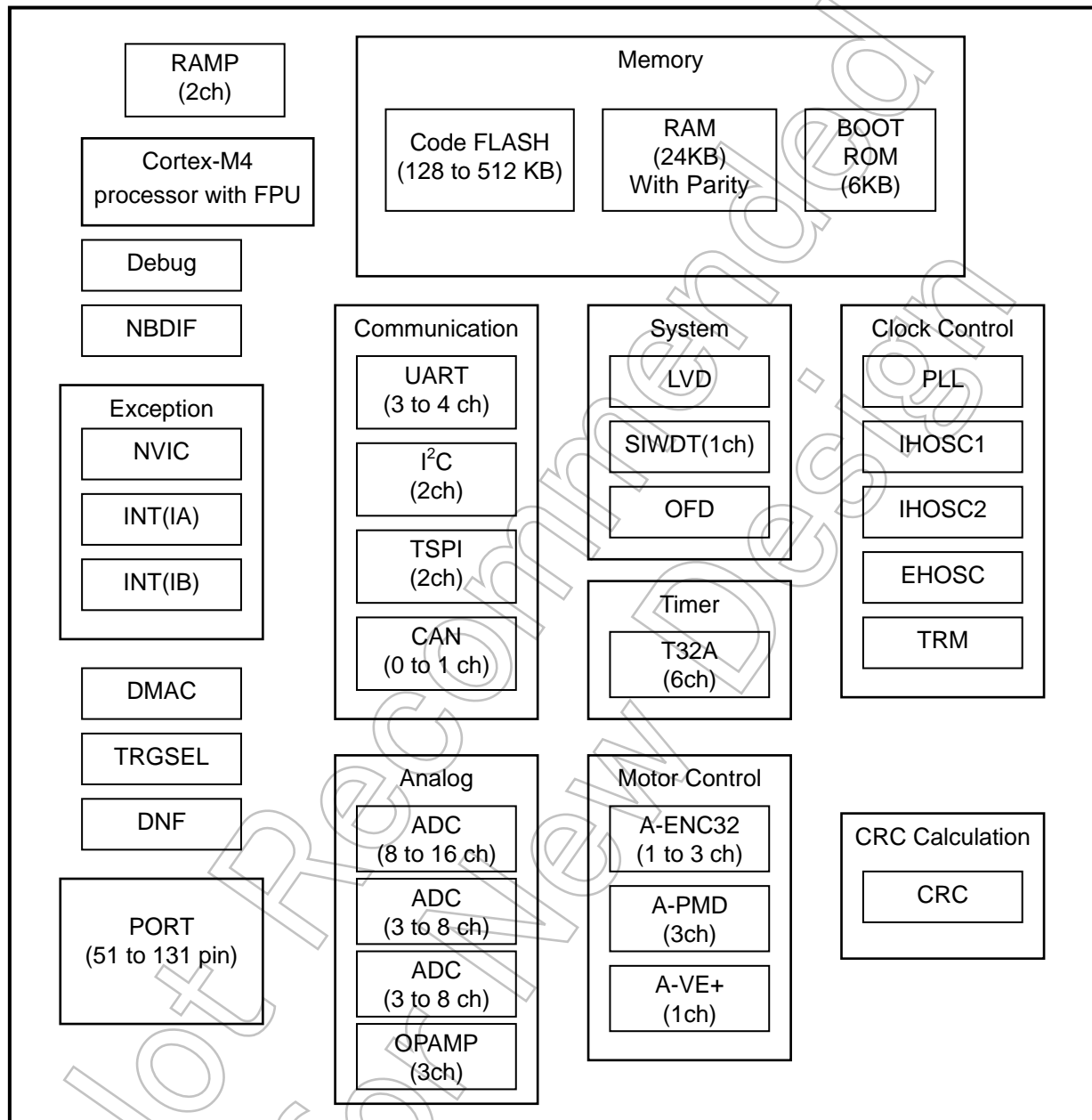


Figure 1.1 Block diagram of the TMPM4K Group(2) products

### 2. Pin Assignment

#### 2.1. LQFP144

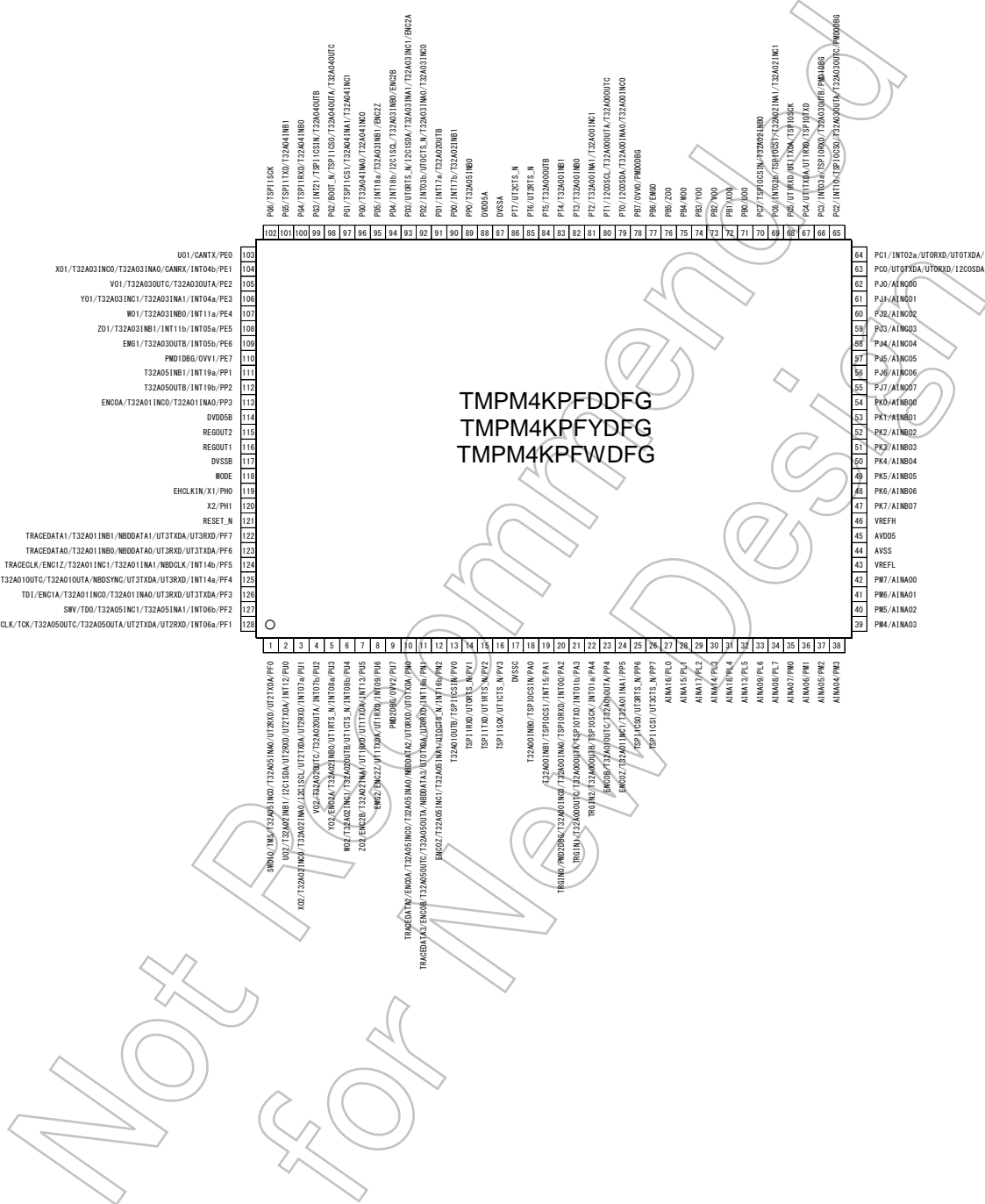
Pin No.	Signal Name	Pin No.	Signal Name
109	TSP1 ISCK/P66	72	PC2/INT10/TSP10CS0/T32A0300UT/A/T32A0300TC/PM0086
110	U01/CANTX/PE0	71	PC1/INT02a/UT0RXD/UT0TXDA/120CSCL/T32A0200TA/T32A0200TC
111	X01/T32A031NC0/T32A031NA0/CANRX/INT04b/PE1	70	R00/UT0TXDA/UT0RXD/120CSDA/T32A021NA0/T32A021NC0
112	Y01/T32A0300TC/T32A0300TA/PE2	69	PJ0/AINC00
113	Y01/T32A031NC1/T32A031NA1/INT04a/PE3	68	PJ1/AINC01
114	W01/T32A031NB0/INT11a/PE4	67	PJ2/AINC02
115	Z01/T32A031NB1/INT11b/INT05a/PE5	66	PJ3/AINC03
116	EMG1/T32A0300TB/INT05b/PE6	65	PJ4/AINC04
117	PM0ID86/OV1/PE7	64	PJ5/AINC05
118	T32A051NB1/INT19a/PP2	63	PJ6/AINC06
119	T32A0500TB/INT19b/PP2	62	PJ7/AINC07
120	ENCDA/T32A011NC0/T32A011NA0/PP3	61	PK0/AINB00
121	T32A051NB0/PR0	60	PK1/AINB01
122	T32A051NB1/PR1	59	PK2/AINB02
123	T32A0500TB/PR2	58	PK3/AINB03
124	ENC1A/UT2RTS_N/PR3	57	PK4/AINB04
125	ENC1B/UT2CTS_N/PR4	56	PK5/AINB05
126	ENC1Z/T32A011NB0/PR5	55	PK6/AINB06
127	T32A011NB1/PR6	54	PK7/AINB07
128	T32A0100TB/PR7	53	VREFH
129	DVDDSB	52	AVDD5
130	REG0U2	51	AVSS
131	REG0U1	50	VREFL
132	DVSSB	49	PM7/AINA00
133	NODE	48	PM6/AINA01
134	EHOLKIN/X1/PH0	47	PM5/AINA02
135	X2/PH1	46	PM4/AINA03
136	RESET_N	45	PM3/AINA04
137	TRACEDATA1/T32A011NB1/NB0DATA1/UT3TXDA/UT3RXD/PP7	44	PM2/AINA05
138	TRACEDATA0/T32A011NB0/NB0DATA0/UT3TXDA/UT3RXD/PP6	43	PM1/AINA06
139	TRACELK/ENC1Z/T32A011NC1/T32A011NA1/NB0DLK/INT14b/PP4	42	PH0/AINA07
140	TRST_N/ENC1B/T32A0100TC/T32A0100TA/NB05INC/UT3TXDA/UT3RXD/INT14a/PP4	41	PL7/AINA08
141	TD1/ENC1A/T32A011NC0/T32A011NA0/UT3RXD/UT3TXDA/PP3	40	PL6/AINA09
142	SWV/TD0/T32A051NC1/T32A051NA1/INT06b/PP2	39	PL5/AINA13
143	SWCLK/TCK/T32A0500TC/T32A0500TA/UT2TXDA/UT2RXD/INT06a/PP1	38	PL4/AINA18
144	SMD10/TMS/T32A051NC0/T32A051NA0/UT2RXD/UT2TXDA/PE6	37	PL3/AINA14
1	U02/T32A021NB1/120CSDA/UT2RXD/UT2TXDA/INT12/PH0	28	TR1NB0/PM0286/T32A011NC0/T32A011NA0/TSP10RXD/INT01/PA2
2	X02/T32A021NC0/T32A021NA0/120CSCL/UT2TXDA/UT2RXD/INT07a/PH1	27	TR1NB1/T32A0000TC/T32A0000TA/TSP10TXD/INT01b/PA3
3	Y02/T32A0200TC/T32A0200TA/INT07b/PH2	26	TR1NB2/T32A0000TB/TSP10CSK/INT01a/PA4
4	Y02/ENC2/T32A021NB0/UT1RTS_N/INT08a/PH2	25	ENC0B/T32A0100TC/T32A0100TA/PP4
5	Y02/T32A021NC1/T32A021NA1/UT1RTS_N/INT08a/PH4	24	ENC0Z/T32A011NC1/T32A011NA1/PP5
6	Z02/ENC2B/T32A021NB1/UT1RXD/UT1TXDA/INT13/PH5	23	TSP11CS0/UT3RTS_N/PP6
7	Z02/ENC2B/T32A021NA1/UT1RXD/UT1TXDA/INT13/PH5	22	TSP11CS1/UT3RTS_N/PP7
8	EMG2/ENC2Z/UT1TXDA/UT1RXD/INT09/PH6	21	AINA15/PL1
9	PM2ID86/OV2/PH7	20	AINA17/PL2
10	TRACEDATA1A/ENCDA/T32A011NC0/T32A011NA0/NB0DATA2/UT0RXD/UT0TXDA/PH0	19	
11	TRACEDATA1B/ENCDA/T32A011NC0/T32A011NA0/NB0DATA2/UT0RXD/UT0TXDA/PH0	18	
12	TRACEDATA1C/ENCDA/T32A011NC0/T32A011NA0/NB0DATA2/UT0RXD/UT0TXDA/PH0	17	
13	TRACEDATA1D/ENCDA/T32A011NC0/T32A011NA0/NB0DATA2/UT0RXD/UT0TXDA/PH0	16	
14	TSP11IR00/UT1RTS_N/PP1	15	
15	TSP11IR00/UT1RTS_N/PP2	14	
16	TSP11CS0/UT1CTS_A/PP2	13	
17	TSP11CS0/UT1CTS_A/PP3	12	
18	T32A0400TB/INT20b/PP5	11	
19	T32A0400TB/INT20a/PP4	10	
20	T32A0400TB/INT20a/PP4	9	
21	T32A0400TB/INT20a/PP4	8	
22	T32A0400TB/INT20a/PP4	7	
23	UT3RTS_N/PP7	6	
24	UT3RTS_N/PP7	5	
25	DVSSC	4	
26	T32A001NB0/TSP10CS1/PA0	3	
27	T32A001NB1/TSP10CS1/INT15/PA1	2	
28	T32A001NB0/TSP10CS1/INT15/PA1	1	
29	T32A001NB0/TSP10CS1/INT15/PA1		
30	T32A001NB0/TSP10CS1/INT15/PA1		
31	T32A001NB0/TSP10CS1/INT15/PA1		
32	T32A001NB0/TSP10CS1/INT15/PA1		
33	T32A001NB0/TSP10CS1/INT15/PA1		
34	T32A001NB0/TSP10CS1/INT15/PA1		
35	T32A001NB0/TSP10CS1/INT15/PA1		
36	T32A001NB0/TSP10CS1/INT15/PA1		
37	T32A001NB0/TSP10CS1/INT15/PA1		
38	T32A001NB0/TSP10CS1/INT15/PA1		
39	T32A001NB0/TSP10CS1/INT15/PA1		
40	T32A001NB0/TSP10CS1/INT15/PA1		
41	T32A001NB0/TSP10CS1/INT15/PA1		
42	T32A001NB0/TSP10CS1/INT15/PA1		
43	T32A001NB0/TSP10CS1/INT15/PA1		
44	T32A001NB0/TSP10CS1/INT15/PA1		
45	T32A001NB0/TSP10CS1/INT15/PA1		
46	T32A001NB0/TSP10CS1/INT15/PA1		
47	T32A001NB0/TSP10CS1/INT15/PA1		
48	T32A001NB0/TSP10CS1/INT15/PA1		
49	T32A001NB0/TSP10CS1/INT15/PA1		
50	T32A001NB0/TSP10CS1/INT15/PA1		
51	T32A001NB0/TSP10CS1/INT15/PA1		
52	T32A001NB0/TSP10CS1/INT15/PA1		
53	T32A001NB0/TSP10CS1/INT15/PA1		
54	T32A001NB0/TSP10CS1/INT15/PA1		
55	T32A001NB0/TSP10CS1/INT15/PA1		
56	T32A001NB0/TSP10CS1/INT15/PA1		
57	T32A001NB0/TSP10CS1/INT15/PA1		
58	T32A001NB0/TSP10CS1/INT15/PA1		
59	T32A001NB0/TSP10CS1/INT15/PA1		
60	T32A001NB0/TSP10CS1/INT15/PA1		
61	T32A001NB0/TSP10CS1/INT15/PA1		
62	T32A001NB0/TSP10CS1/INT15/PA1		
63	T32A001NB0/TSP10CS1/INT15/PA1		
64	T32A001NB0/TSP10CS1/INT15/PA1		
65	T32A001NB0/TSP10CS1/INT15/PA1		
66	T32A001NB0/TSP10CS1/INT15/PA1		
67	T32A001NB0/TSP10CS1/INT15/PA1		
68	T32A001NB0/TSP10CS1/INT15/PA1		
69	T32A001NB0/TSP10CS1/INT15/PA1		
70	T32A001NB0/TSP10CS1/INT15/PA1		
71	T32A001NB0/TSP10CS1/INT15/PA1		
72	T32A001NB0/TSP10CS1/INT15/PA1		
73	T32A001NB0/TSP10CS1/INT15/PA1		

TMPM4KQFDFG  
TMPM4KQFYFG  
TMPM4KQFWFG

### 2.2. LQFP128

102	P67/TSPI15SK	103	U01/GMNTX/PE0
101	P66/TSPI17AD/T32A041NB1	104	X01/T32A031NC0/T32A031NA0/CANRX/INT04b/PE1
100	P65/TSPI18AD/T32A041NB0	105	V01/T32A030UTC/T32A030UTA/PE2
99	P63/INXZ/TSPI11CSIM/T32A0400TB	106	Y01/T32A031NC1/T32A031NA1/INT04a/PE3
98	P62/ROOT_N/TSPI10SD/T32A0400TA/T32A0400TC	107	W01/T32A031NB0/INT11a/PE4
97	P61/TSPI10S1/T32A041NA/INT11a/PE4	108	Z01/T32A031NB1/INT11b/INT05a/PE5
96	P60/T32A041NA0/T32A041NC1	109	EMG1/T32A030UTB/INT05b/PE6
95	P59/INT18b/T32A031NB1/INTCZ	110	PM01DB6/OV11/PE7
94	P58/INT18a/TC15CSL/T32A031NB0/EMCB	111	T32A051NB1/INT19a/PP1
93	P57/UT0RTS_N/T3205DA/T32A031NA1/T32A031NC1/ENCA	112	T32A050UTB/INT19b/PP2
92	P56/INT05b/UT0CTS_N/T32A031NA0/T32A031NC0	113	ENC0A/T32A011NC0/T32A011NA0/PP3
91	P55/INT17b/T32A020TB	114	DV05D
90	P54/INT17a/T32A020TB	115	REG0U2
89	PRO/T32A051NB0	116	REG0U1
88	DV05A	117	DV5SB
87	DNSSA	118	MODE
86	P17/UT0RTS_N	119	EHLK1N_X1/PH0
85	P16/UT0RTS_N	120	X2/PH1
84	P15/T32A000TB	121	RESET_N
83	P14/T32A000TB	122	TRACEDATA1/T32A011NB1/NB0DATA1/UT3TXDA/UT3RXD/PP7
82	P13/T32A001NB0	123	TRACEDATA0/T32A011NB0/NB0DATA0/UT3RXD/UT3TXDA/PP6
81	P12/T32A001NA1/T32A001NC1	124	TRACCLK_ENG1Z/T32A011NC1/T32A011NA1/NB0CLK/INT14a/PP5
80	P11/T205SL/T32A000UTA/T32A000UTC	125	TR1ST_N/ENC1B/T32A010UTA/NB0SYNG/UT3TXDA/UT3RXD/INT14a/PP4
79	P10/T205DA/T32A001NA0/T32A001NC0	126	TD1/ENC1A/T32A011NC0/T32A011NA0/UT3RXD/UT3TXDA/PP3
78	P87/AVVO/PM00B6	127	SWI/TD0/T32A051NC1/T32A051NA1/INT06b/PP2
77	P86/EM0	128	SMCLK/TK/T32A050UTC/T32A050UTA/UT2TXDA/UT2RXD/INT06a/PP1
76	P85/Z00		
75	PM4/M00		
74	PM3/Y00		
73	PM2/N00		
72	PM1/J00		
71	PM0/J00		
70	P27/TSPI053IM/T32A021NB0	84	PC1/INT02a/UT0RXD/UT0TXDA/1205SL/T32A020UTA/T32A020UTC
69	P26/INT02b/TSPI053I/T32A021NA1/T32A021NC1	85	PC0/UT0TXDA/UT0RXD/1205DA/T32A021NA0/T32A021NC0
68	P25/UT0RXD/UT0TXDA/TSPI053K	86	PJ0/AIN000
67	P24/UT0TXDA/UT0RXD/TSPI053J	87	PJ3/AIN001
66	PC3/INT03/TSPI090/T32A030UTB/PM0AB6	88	PJ2/AIN002
65	PC2/INT02/TSPI053J/T32A030UTA/T32A030UTC/PM0B6	89	PJ3/AIN003
		90	PJ4/AIN004
		91	PJ5/AIN005
		92	PJ6/AIN006
		93	PJ7/AIN007
		94	PK0/AIN000
		95	PK1/AIN001
		96	PK2/AIN002
		97	PK3/AIN003
		98	PK4/AIN004
		99	PK5/AIN005
		100	PK6/AIN006
		101	PK7/AIN007
		102	VREFH
		103	AVDD5
		104	AVSS
		105	VREFL
		106	PM7/AINA00
		107	PM6/AINA01
		108	PM5/AINA02
		109	PM4/AINA03

TMPM4KPFDDFG  
TMPM4KPFYDFG  
TMPM4KPFWDFG



### 2.3. QFP100

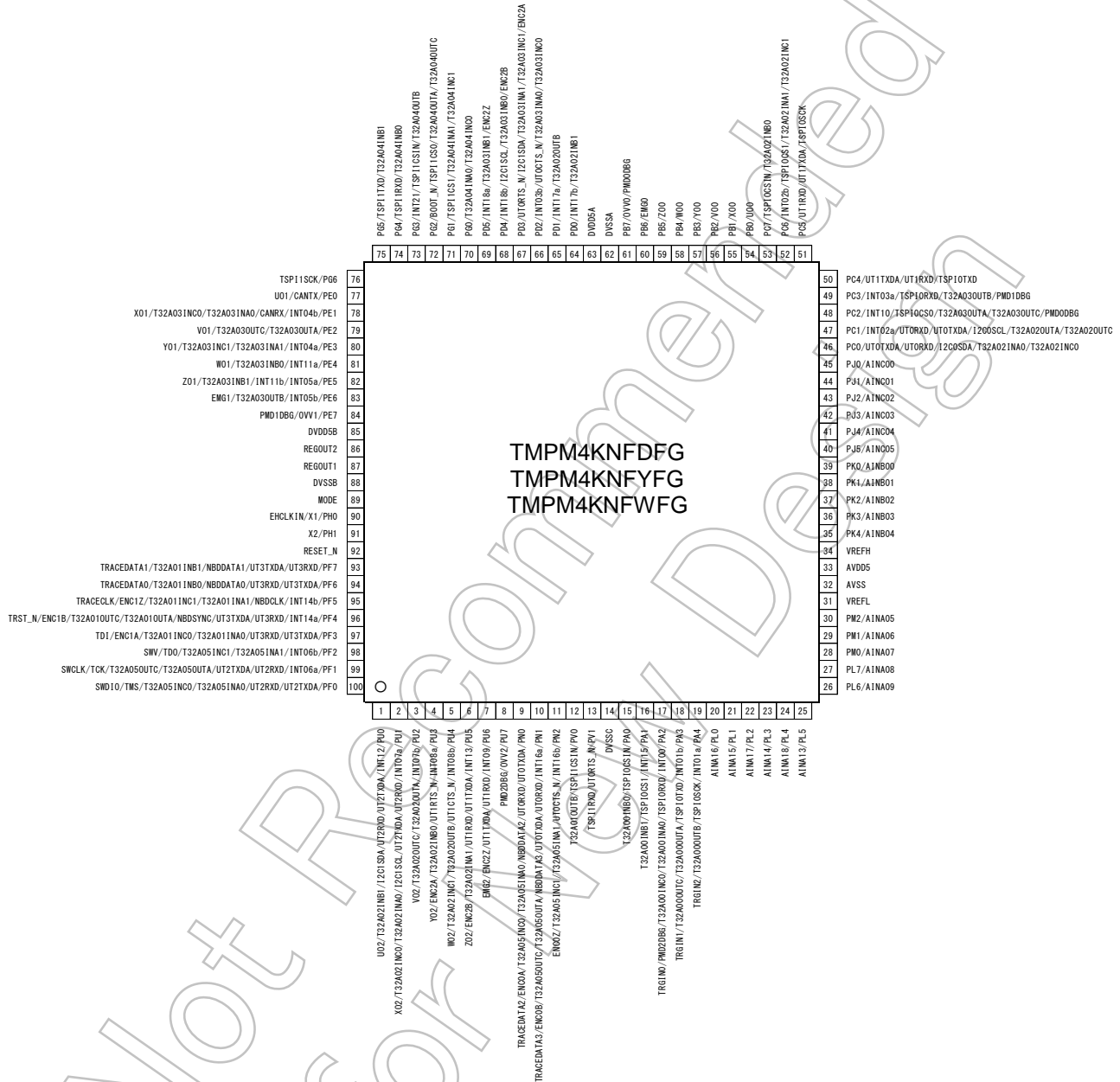
80	PC0/CANRX/IO1	81	X01/T32A03INC0/T32A03INA0/CANRX/INT04b/PE1	50	PC1/INT02a/UTORDX/UT0TXDA/12COSCL/T32A020UTA/T32A020UTC
79	PC6/TSP1SSCK	82	V01/T32A030UTC/T32A030UTA/PE2	49	PC0/UT0TXDA/UTORDX/UT0TXDA/12COSDA/T32A021NA0/T32A021NCO
78	PC4/TSP1TRXD/T32A041NBI	83	Y01/T32A03INC1/T32A03INA1/INT04a/PE3	48	PJ0/A1INC00
77	PC5/TSP1TRXD/T32A041NBO	84	W01/T32A03INB0/INT11a/PE4	47	PJ1/A1INC01
76	PC3/INT21/TSP1LCSIN/T32A0400TB	85	Z01/T32A03INB1/INT11b/INT05a/PE5	46	PJ2/A1INC02
75	PC2/BOOT1/TSP1LCS0/T32A0400TA/T32A0400TC	86	EMG1/T32A030UTB/INT05b/PE6	45	PJ3/A1INC03
74	PC1/TSP1LCS1/T32A041NA1/T32A041NCO	87	PMD1DB6/0VVI/PE7	44	PJ4/A1INC04
73	PC0/T32A041NA0/T32A041NCO	88	DVD05B	43	PJ5/A1INC05
72	PC5/INT18a/T32A03INB1/ENGZZ	89	REG0UT2	42	PK0/A1NB00
71	PC4/INT18b/T32A03INB1/ENGCB	90	REG0UT1	41	PK1/A1NB01
70	PC3/UTORTS1/T32A03INA1/T32A03INC1/ENGZA	91	DVSSB	40	PK2/A1NB02
69	PC2/INT03b/UTOCIS1/T32A03INB0/T32A03INCO	92	MODE	39	PK3/A1NB03
68	PC1/INT17a/T32A02INB1	93	EHOLKIN/X1/PH0	38	PK4/A1NB04
67	DVSSA	94	X2/PH1	37	VREFH
66	DV05SA	95	RESET_N	36	AVDD5
65	PC7/0VVO/PMD0B6	96	TRACEDATA1/T32A01INB1/NBDDATA1/UT3TXDA/UT3RXD/PF7	35	AVSS
64	PC6/EMG0	97	TRACEDATA0/T32A01INB0/NBDDATA0/UT3RXD/UT3TXDA/PF6	34	VREFL
63	PC5/Z00	98	TRACECLK/ENC1Z/T32A01INC1/T32A01INA1/NBCLK/INT14b/PF5	33	PM2/A1NA05
62	PC4/W00	99	TRST_N/ENC1B/T32A01OUTC/T32A01OUTA/NBOSYNC/UT3TXDA/UT3RXD/INT14a/PF4	32	PM1/A1NA06
61	PC3/Y00	100	T01/ENG1A/T32A01INCO/T32A01INA0/UT3RXD/UT3TXDA/PF3	31	PM0/A1NA07
60	PC2/V00				
59	PC1/X00				
58	PC0/Y00				
57	PC7/PC2LCSIN/T32A02INB0				
56	PC6/PC1LCSIN/T32A02INB0/T32A02INB1/T32A02INCO				
55	PC5/UT1R0D/UT1TXDA/UT1SP05CK				
54	PC4/UT1R0D/UT1TXDA/UT1SP05CK				
53	PC3/UT1R0D/UT1TXDA/UT1SP05CK				
52	PC2/INT03a/UT0R0D/UT0SP05CK				
51	PC1/INT03a/UT0R0D/UT0SP05CK				

TMPM4KNFDDFG  
TMPM4KNFYDFG  
TMPM4KNFWDFG

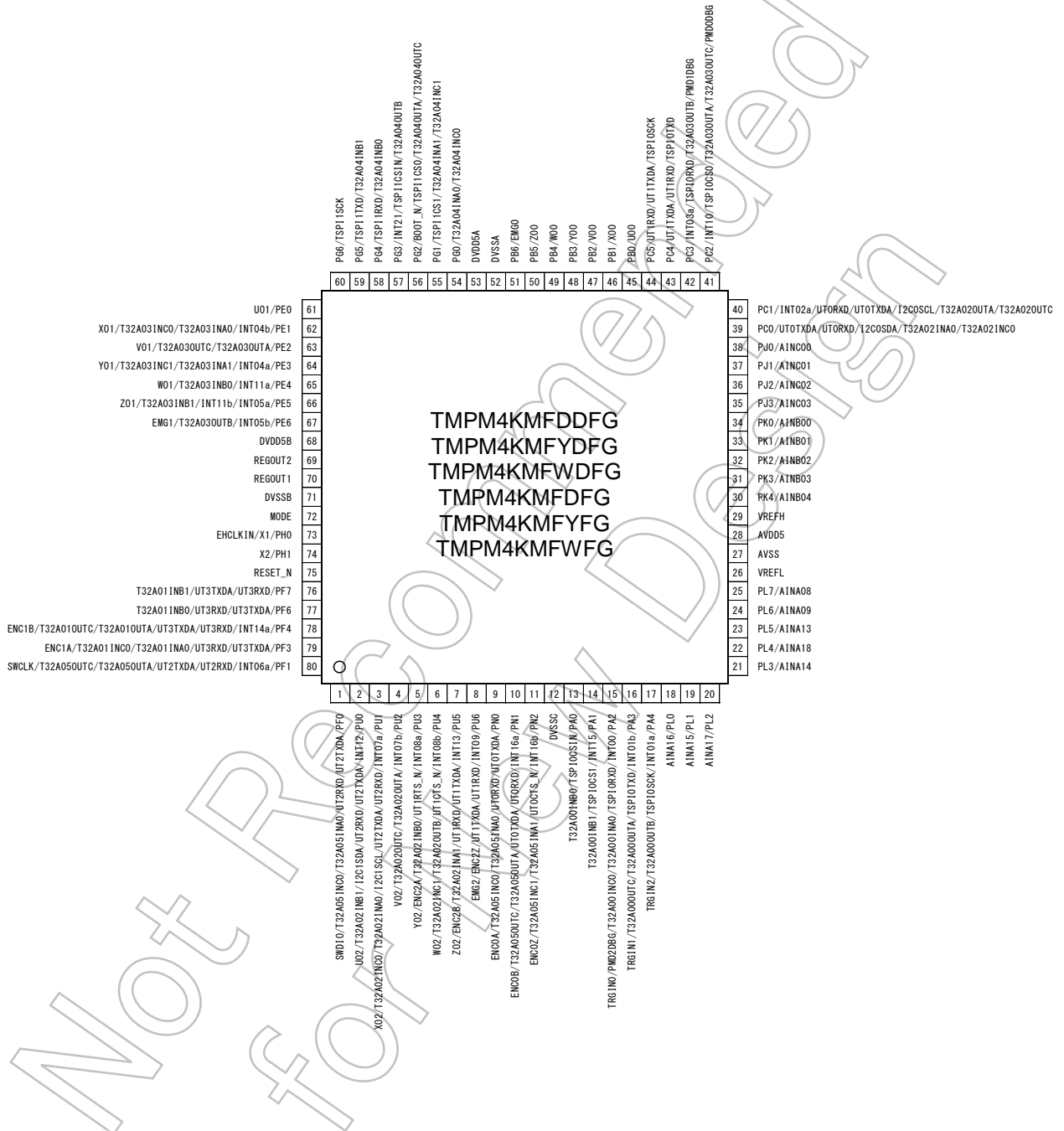
Not for New Design



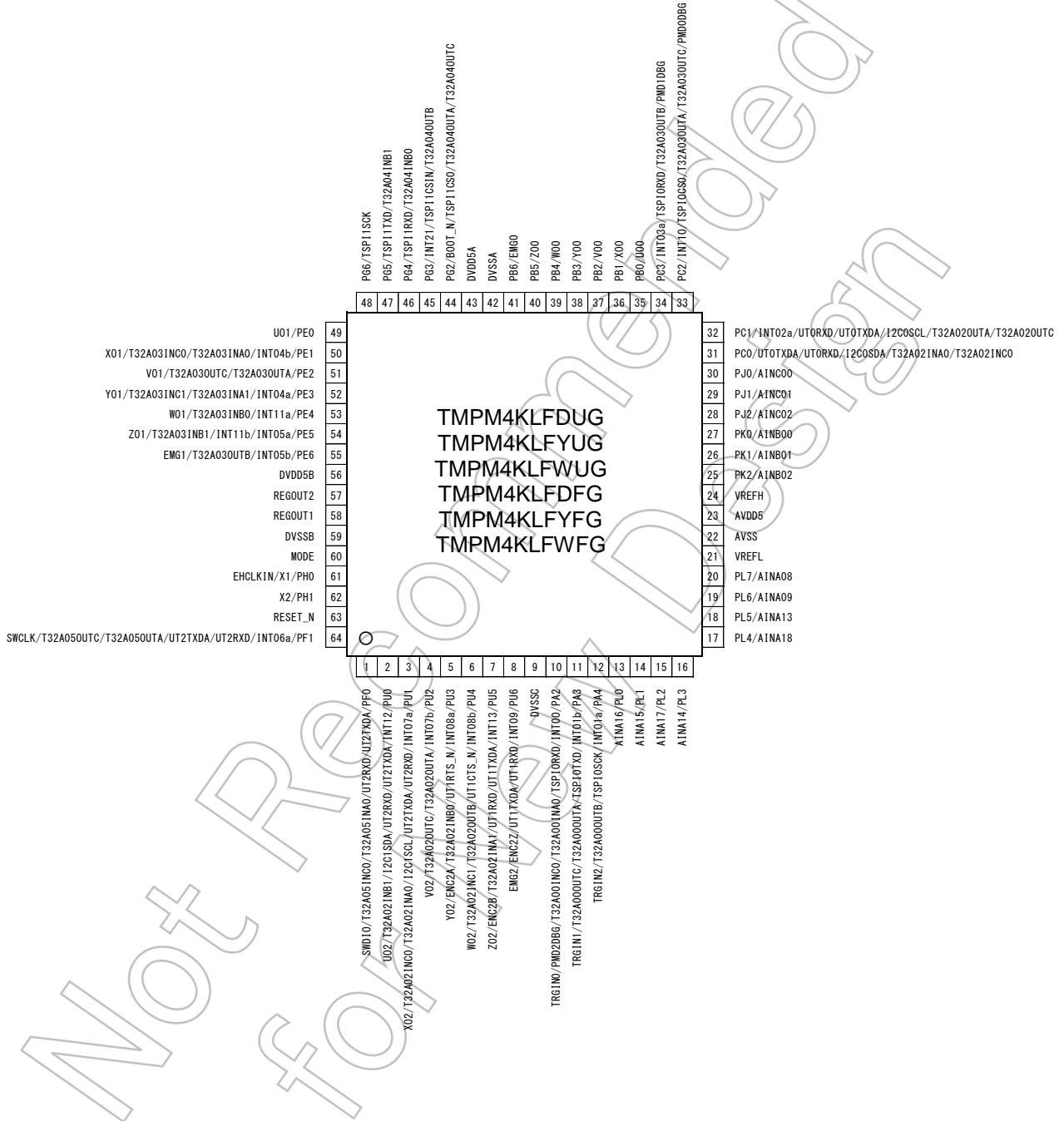
### 2.4. LQFP100



## 2.5. LQFP80



## 2.6. LQFP64



## 3. Memory Map

0xFFFFFFFF	Vender-Specific
0xE0100000	CPU Register Region
0xE0000000	Fault
0x5E080000	Code Flash (Mirror)(512KB)
0x5E000000	Flash(SFR)
0x5DFF0000	Fault
0x44000000	Bit Band Alias (SFR)
0x42000000	Fault
0x40100000	SFR
0x4003E000	Fault
0x40006000	SFR
0x40005000	Fault
0x3F7F9800	Reserved
0x3F7F8000	Fault
0x30008000	Data Flash (32KB)
0x30000000	Fault
0x24000000	Bit Band Alias (RAM)
0x22000000	Fault
0x20006000	RAM (24KB)
0x20000000	Fault
0x00080000	Code Flash (512KB)
0x00000000	

**Figure 3.1 Example of the TMPM4KxFD**

Note: Fault, Reserved: Please do not access their region.

## 3.1. List of Memory Sizes

Table 3.1 Memory sizes and addresses

Products			TMPM4KQDFG TMPM4KPFDDFG TMPM4KNFDDFG TMPM4KNFDFG TMPM4KMFDDFG TMPM4KMFDFG TMPM4KLFDFG TMPM4KLFDFG	TMPM4KQFYFG TMPM4KPFYDFG TMPM4KNFYDFG TMPM4KNFYFG TMPM4KMFYDFG TMPM4KMFYFG TMPM4KLFYUG TMPM4KLFYFG	TMPM4KQFWFG TMPM4KPFWDFG TMPM4KNFWDFG TMPM4KNFWFG TMPM4KMFWDFG TMPM4KMFWFG TMPM4KLFWUG TMPM4KLFWFG
Peripheral region	Code Flash (Mirror)	Size	512KB	256KB	128KB
		START	0x5E000000	0x5E000000	0x5E000000
		END	0x5E07FFFF	0x5E03FFFF	0x5E01FFFF
SRAM region	Data Flash	Size	32KB		
		START	0x30000000		
		END	0x30007FFF		
	RAM	Size	24KB		
		START	0x20000000		
		END	0x20005FFF		
Code region	Code Flash	Size	512KB	256KB	128KB
		START	0x00000000	0x00000000	0x00000000
		END	0x0007FFFF	0x00003FFFF	0x00001FFFF

Not Recommended for New Designs

## 4. Pin Description

### 4.1. Functional Pin Name and Functions

#### 4.1.1. Function Pins of Peripheral

Table 4.1 Pin names and functions of peripheral pins

Peripheral function	Pin name	Input or Output	Function
Interrupt control (IA/IB)	INTx	Input	External interrupt input pin External input pin provides the noise filter (filter width: Typ. 30 ns).
32-bit Timer event counter (T32A)	T32AxINA0	Input	16-bit timer A input capture input pin 0
	T32AxINA1	Input	16-bit timer A input capture input pin 1
	T32AxOUTA	Output	16-bit timer A output pin
	T32AxINB0	Input	16-bit timer B input capture input pin 0
	T32AxINB1	Input	16-bit timer B input capture input pin 1
	T32AxOUTB	Output	16-bit timer B output pin
	T32AxINC0	Input	32-bit timer input capture input pin 0
	T32AxINC1	Input	32-bit timer input capture input pin 1
	T32AxOUTC	Output	32-bit timer output pin
Serial peripheral interface (TSPI)	TSPIxCSIN	Input	Chip select input pin
	TSPIxCS0	Output	Chip select output pin 0
	TSPIxCS1	Output	Chip select output pin 1
	TSPIxRXD	Input	Data input pin
	TSPIxTXD	Output	Data output pin
	TSPIxSCK	I/O	Clock input/output pin
Asynchronous serial communication circuit (UART)	UTxRXD	Input	Data input pin
	UTxTXDA	Output	Data output pin A
	UTxCTS_N	Input	Transmission control input pin
	UTxRTS_N	Output	Transmission request output pin
I <sup>2</sup> C interface (I <sup>2</sup> C)	I2CxSDA	I/O	Data input/output pin
	I2CxSCL	I/O	Clock input/output pin
CAN Controller (CAN)	CANTX	Output	CAN data output pin
	CANRX	Input	CAN data input pin
Advanced Programmable Motor Control Circuit (A-PMD)	EMGx	Input	Emergency state detection input pin
	OvVx	Input	Overvoltage detection input pin
	UOx	Output	U-phase output pin
	VOx	Output	V-phase output pin
	WOx	Output	W-phase output pin
	XOx	Output	X-phase output pin
	YOx	Output	Y-phase output pin
	ZOx	Output	Z-phase output pin
	PMDxDBG	Output	Debug output pin for motor control

Peripheral function	Pin name	Input or Output	Function
Advanced Encoder Input Circuit (32-bit) (A-ENC32)	ENCxA	Input	Encoder input pin A
	ENCxB	Input	Encoder input pin B
	ENCxZ	Input	Encoder input pin Z
Analog to Digital Converter (ADC)	AINAx, AINBx, AINCx	Input	Analog input pin
Trigger input (TRGSEL)	TRGINx	Input	External trigger input pin

Note: "x" means channel number or unit number or interrupt number.

Not Recommended for New Design

## 4.1.2. Debug Pins

**Table 4.2 Debug pin names and their function**

Debug PORT	Pin name	Input or Output	Function
JTAG	TMS	Input	JTAG test mode selection input pin
	TCK	Input	JTAG serial clock input pin
	TDO	Output	JTAG serial data output pin
	TDI	Input	JTAG serial data input pin
	TRST_N	Input	JTAG test reset input pin
SW	SWDIO	I/O	Serial wire data input/output pin
	SWCLK	Input	Serial wire clock input pin
	SWV	Output	Serial wire viewer output pin
TRACE	TRACECLK	Output	Trace clock output pin
	TRACEDATA0	Output	Trace data output pin 0
	TRACEDATA1	Output	Trace data output pin 1
	TRACEDATA2	Output	Trace data output pin 2
	TRACEDATA3	Output	Trace data output pin 3
NBDIF	NBDSYNC	Input	Non break debug synchronous input pin
	NBDCLK	Input	Non break debug clock input pin
	NBDDATA0	I/O	Non break debug data output pin 0
	NBDDATA1	I/O	Non break debug data output pin 1
	NBDDATA2	I/O	Non break debug data output pin 2
	NBDDATA3	I/O	Non break debug data output pin 3



## 4.1.3. Control Pins

**Table 4.3 Control pin names and their function**

	Pin name	Input or Output	Function
Control Pin	X1	Input	High speed oscillator connection pin
	X2	Output	High speed oscillator connection pin
	EHCLKIN	Input	External Clock signal input pin
	BOOT_N	Input	BOOT mode control pin The BOOT mode control pin is sampled on the rising edge of the RESET_N input. It's not sampled by internal Reset factor. If the BOOT mode control pin is "Low" level, the MCU enters single-boot mode. If it is "High", the MCU enters single-chip mode. For details, refer to "Flash Memory" of Reference Manual.
	RESET_N	Input	Reset signal input pin
	MODE	Input	Mode Pin This pin must be fixed to "Low" level.

## 4.1.4. Power Supply Pins

**Table 4.4 Power supply pin names and their function**

	Pin name	Function
Power Supply	DVDD5A (Note1) DVDD5B (Note1)	Power supply pin for digital DVDD5A/B supplies the power to the following pins: PA to PH, PN, PP, PR, PT to PW, MODE, RESET_N, BOOT_N A power supply is supplied to an oscillating circuit from a built-in regulator. X1, X2
	DVSSA (Note2) DVSSB (Note2) DVSSC (Note2)	GND pin for digital
	REGOUT1 (Note3)	Capacitor for a regulator connection pin (Note4)
	REGOUT2 (Note3)	Capacitor for a regulator connection pin (Note4)
	AVDD5 VREFH	Power supply pin for analog and reference power pin for analog (VREFH). AVDD5 supplies the power to the following pins: PL, PM, PK, PJ
	AVSS VREFL	GND pin for analog and reference GND pin for analog (VREFL)

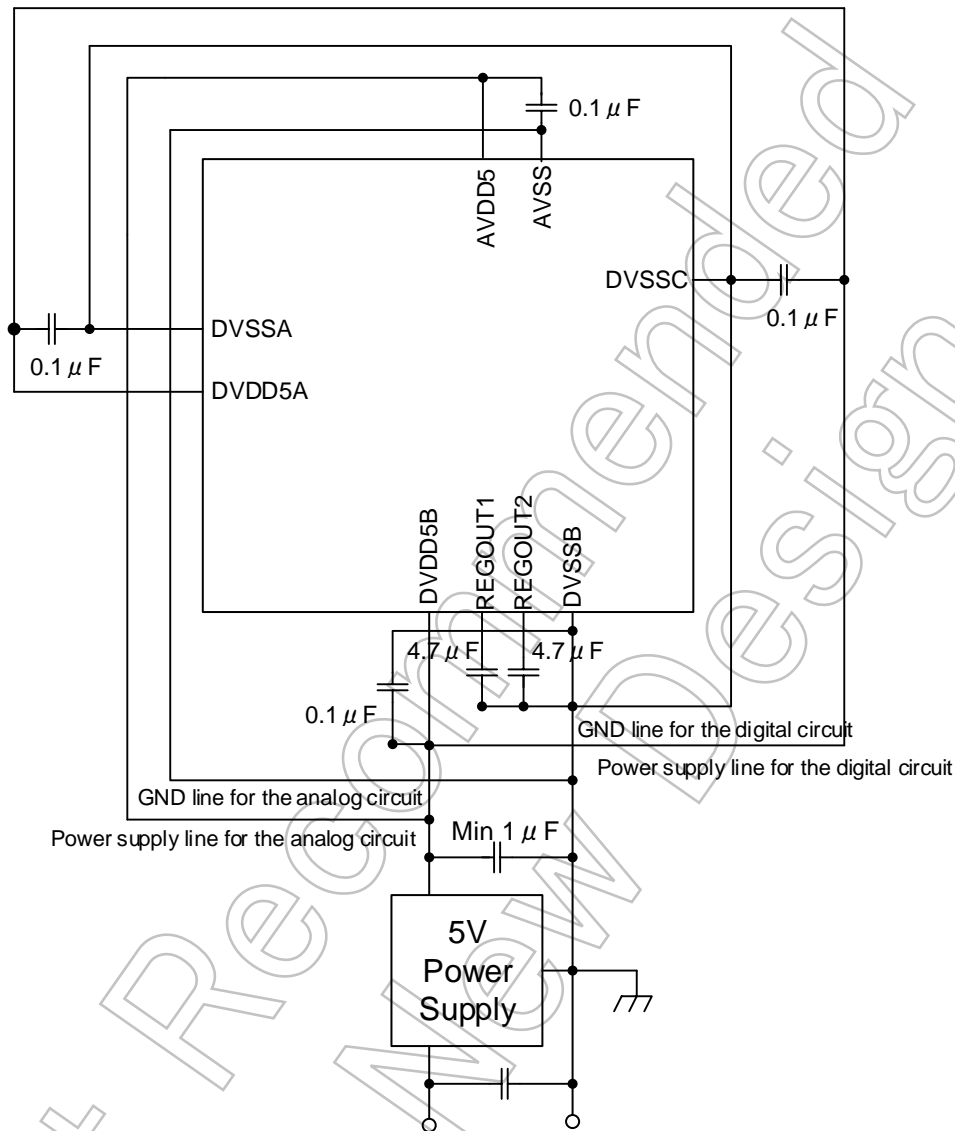
Note1: Apply the voltage to DVDD5A and DVDD5B at the same potential except the case that the pins are not provided.

Note2: Apply the external voltage to DVSSA, DVSSB, and DVSSC at the same potential except the case that the pins are not provided.

Note3: For REGOUT1 and REGOUT2, do not cause a short circuit with DVDD5A, DVDD5B, or DVSSA, DVSSB, or DVSSC.

Note4: For the capacitor value, refer to the "7.Electrical Characteristics"

## 4.1.5. Capacitors between power supply pins



**Figure 4.1** Capacitors for power supply pins connection circuit

- Note1: 5V power supply output capacitor (min 1 μF) must be placed on the shortest distance from the DVDD5B, DVSSB.
- Note2: 5V power supply and GND lines must be separated for the analog circuit and the digital circuit in near 5V power supply output capacitor (min 1 μF) between this capacitor and DVDD5B, DVSSB.
- Note3: Power supply and GND lines must be bring close and be wired. When they are away, a power supply loop makes for power supply and GND lines through the capacitor of a power supply circuit, and they will be the antenna received high frequency noise.
- Note4: Capacitors of REGOUT1 and REGOUT2 for regulators must be same capacity, and they must be placed on the shortest distance from DVSSB.
- Note5: Use multilayer ceramic capacitors for the power supply output capacitor (1 μF or more) and regulator capacitors (4.7 μF).

## 4.2. Functional Pin and Ports Assignment (Pin Number)

Following table shows a pin number of the port assignment and each product which were seen from the functional pin.

"-" means that it not have a pin or there is no assignment of a function.

**Table 4.5 Signal connection List (1/8)**

Function	Combination functional pin name	Port name	M4KQ (LQFP144)	M4KP (LQFP128)	M4KN (QFP100)	M4KN (LQFP100)	M4KM (LQFP80)	M4KL (LQFP64)
UART ch0	UT0RXD	PC0	70	63	49	46	39	31
		PC1	71	64	50	47	40	32
		PN0	9	10	12	9	9	-
		PN1	10	11	13	10	10	-
	UT0TXDA	PC1	71	64	50	47	40	32
		PC0	70	63	49	46	39	31
		PN1	10	11	13	10	10	-
		PN0	9	10	12	9	9	-
	UT0CTS_N	PD2	99	92	69	66	-	-
		PN2	11	12	14	11	11	-
	UT0RTS_N	PD3	100	93	70	67	-	-
		PV1	13	14	16	13	-	-
UART ch1	UT1RXD	PC4	74	67	53	50	43	-
		PC5	75	68	54	51	44	-
		PU5	6	7	9	6	7	7
		PU6	7	8	10	7	8	8
	UT1TXDA	PC5	75	68	54	51	44	-
		PC4	74	67	53	50	43	-
		PU6	7	8	10	7	8	8
		PU5	6	7	9	6	7	7
	UT1CTS_N	PU4	5	6	8	5	6	6
		PV3	15	16	-	-	-	-
	UT1RTS_N	PU3	4	5	7	4	5	5
		PV2	14	15	-	-	-	-
UART ch2	UT2RXD	PF0	144	1	3	100	1	1
		PF1	143	128	2	99	80	64
		PU0	1	2	4	1	2	2
		PU1	2	3	5	2	3	3
	UT2TXDA	PF1	143	128	2	99	80	64
		PF0	144	1	3	100	1	1
		PU1	2	3	5	2	3	3
		PU0	1	2	4	1	2	2
	UT2CTS_N	PR4	125	-	-	-	-	-
		PT7	93	86	-	-	-	-
	UT2RTS_N	PR3	124	-	-	-	-	-
		PT6	92	85	-	-	-	-
UART ch3	UT3RXD	PF3	141	126	100	97	79	-
		PF4	140	125	99	96	78	-
		PF6	138	123	97	94	77	-
		PF7	137	122	96	93	76	-
	UT3TXDA	PF4	140	125	99	96	78	-
		PF3	141	126	100	97	79	-
		PF7	137	122	96	93	76	-
		PF6	138	123	97	94	77	-
	UT3CTS_N	PP7	33	26	-	-	-	-
		PW7	23	-	-	-	-	-
	UT3RTS_N	PP6	32	25	-	-	-	-
		PW6	22	-	-	-	-	-

Table 4.6 Signal connection List (2/8)

Function	Combination functional pin name	Port name	M4KQ (LQFP144)	M4KP (LQFP128)	M4KN (QFP100)	M4KN (LQFP100)	M4KM (LQFP80)	M4KL (LQFP64)
I <sup>2</sup> C ch0	I2C0SDA	PC0	70	63	49	46	39	31
		PT0	86	79	-	-	-	-
	I2C0SCL	PC1	71	64	50	47	40	32
		PT1	87	80	-	-	-	-
I <sup>2</sup> C ch1	I2C1SDA	PD3	100	93	70	67	-	-
		PU0	1	2	4	1	2	2
	I2C1SCL	PD4	101	94	71	68	-	-
		PU1	2	3	5	2	3	3
TSPI ch0	TSPI0RXD	PA2	27	20	20	17	15	10
		PC3	73	66	52	49	42	34
	TSPI0TXD	PA3	28	21	21	18	16	11
		PC4	74	67	53	50	43	-
	TSPI0SCK	PA4	29	22	22	19	17	12
		PC5	75	68	54	51	44	-
	TSPI0CSIN	PA0	25	18	18	15	13	-
		PC7	77	70	56	53	-	-
	TSPI0CS0	PC2	72	65	51	48	41	33
	TSPI0CS1	PA1	26	19	19	16	14	-
		PC6	76	69	55	52	-	-
	TSPI ch1	TSPI1RXD	PG4	107	100	77	74	58
PV1			13	14	16	13	-	-
TSPI1TXD		PG5	108	101	78	75	59	47
		PV2	14	15	-	-	-	-
TSPI1SCK		PG6	109	102	79	76	60	48
		PV3	15	16	-	-	-	-
TSPI1CSIN		PG3	106	99	76	73	57	45
		PV0	12	13	15	12	-	-
TSPI1CS0		PG2	105	98	75	72	56	44
		PP6	32	25	-	-	-	-
TSPI1CS1		PG1	104	97	74	71	55	-
		PP7	33	26	-	-	-	-
CAN	CANRX	PE1	111	104	81	78	-	-
	CANTX	PE0	110	103	80	77	-	-

Table 4.7 Signal connection List (3/8)

Function	Combination functional pin name	Port name	M4KQ (LQFP144)	M4KP (LQFP128)	M4KN (QFP100)	M4KN (LQFP100)	M4KM (LQFP80)	M4KL (LQFP64)
T32A ch0	T32A00INA0	PA2	27	20	20	17	15	10
		PT0	86	79	-	-	-	-
	T32A00INA1	PT2	88	81	-	-	-	-
		PA3	28	21	21	18	16	11
	T32A00OUTA	PT1	87	80	-	-	-	-
		PA0	25	18	18	15	13	-
	T32A00INB0	PT3	89	82	-	-	-	-
		PA1	26	19	19	16	14	-
	T32A00INB1	PT4	90	83	-	-	-	-
		PA4	29	22	22	19	17	12
	T32A00OUTB	PT5	91	84	-	-	-	-
		PA2	27	20	20	17	15	10
T32A00INC0	PT0	86	79	-	-	-	-	
	PT2	88	81	-	-	-	-	
T32A00INC1	PT2	88	81	-	-	-	-	
	PA3	28	21	21	18	16	11	
T32A00OUTC	PT1	87	80	-	-	-	-	
	PF3	141	126	100	97	79	-	
T32A ch1	T32A01INA0	PP3	120	113	-	-	-	-
		PF5	139	124	98	95	-	-
	T32A01INA1	PP5	31	24	-	-	-	-
		PF4	140	125	99	96	78	-
	T32A01OUTA	PP4	30	23	-	-	-	-
		PF6	138	123	97	94	77	-
	T32A01INB0	PR5	126	-	-	-	-	-
		PF7	137	122	96	93	76	-
	T32A01INB1	PR6	127	-	-	-	-	-
		PR7	128	-	-	-	-	-
	T32A01OUTB	PV0	12	13	15	12	-	-
		PF3	141	126	100	97	79	-
T32A01INC0	PP3	120	113	-	-	-	-	
	PF5	139	124	98	95	-	-	
T32A01INC1	PP5	31	24	-	-	-	-	
	PF4	140	125	99	96	78	-	
T32A01OUTC	PP4	30	23	-	-	-	-	
	PC0	70	63	49	46	39	31	
T32A ch2	T32A02INA0	PU1	2	3	5	2	3	3
		PC6	76	69	55	52	-	-
	T32A02INA1	PU5	6	7	9	6	7	7
		PC1	71	64	50	47	40	32
	T32A02OUTA	PU2	3	4	6	3	4	4
		PC7	77	70	56	53	-	-
	T32A02INB0	PU3	4	5	7	4	5	5
		PD0	97	90	67	64	-	-
	T32A02INB1	PU0	1	2	4	1	2	2
		PD1	98	91	68	65	-	-
	T32A02OUTB	PU4	5	6	8	5	6	6
		PC0	70	63	49	46	39	31
T32A02INC0	PU1	2	3	5	2	3	3	
	PC6	76	69	55	52	-	-	
T32A02INC1	PU4	5	6	8	5	6	6	
	PC1	71	64	50	47	40	32	
T32A02OUTC	PU2	3	4	6	3	4	4	

Table 4.8 Signal connection List (4/8)

Function	Combination functional pin name	Port name	M4KQ (LQFP144)	M4KP (LQFP128)	M4KN (QFP100)	M4KN (LQFP100)	M4KM (LQFP80)	M4KL (LQFP64)
T32A ch3	T32A03INA0	PD2	99	92	69	66	-	-
		PE1	111	104	81	78	62	50
	T32A03INA1	PD3	100	93	70	67	-	-
		PE3	113	106	83	80	64	52
	T32A03OUTA	PC2	72	65	51	48	41	33
		PE2	112	105	82	79	63	51
	T32A03INB0	PD4	101	94	71	68	-	-
		PE4	114	107	84	81	65	53
	T32A03INB1	PD5	102	95	72	69	-	-
		PE5	115	108	85	82	66	54
	T32A03OUTB	PC3	73	66	52	49	42	34
		PE6	116	109	86	83	67	55
	T32A03INC0	PD2	99	92	69	66	-	-
		PE1	111	104	81	78	62	50
	T32A03INC1	PD3	100	93	70	67	-	-
		PE3	113	106	83	80	64	52
	T32A03OUTC	PC2	72	65	51	48	41	33
		PE2	112	105	82	79	63	51
T32A ch4	T32A04INA0	PG0	103	96	73	70	54	-
		PW0	16	-	-	-	-	-
	T32A04INA1	PG1	104	97	74	71	55	-
		PW2	18	-	-	-	-	-
	T32A04OUTA	PG2	105	98	75	72	56	44
		PW1	17	-	-	-	-	-
	T32A04INB0	PG4	107	100	77	74	58	46
		PW3	19	-	-	-	-	-
	T32A04INB1	PG5	108	101	78	75	59	47
		PW4	20	-	-	-	-	-
	T32A04OUTB	PG3	106	99	76	73	57	45
		PW5	21	-	-	-	-	-
	T32A04INC0	PG0	103	96	73	70	54	-
		PW0	16	-	-	-	-	-
	T32A04INC1	PG1	104	97	74	71	55	-
		PW2	18	-	-	-	-	-
	T32A04OUTC	PG2	105	98	75	72	56	44
		PW1	17	-	-	-	-	-
T32A ch5	T32A05INA0	PF0	144	1	3	100	1	1
		PN0	9	10	12	9	9	-
	T32A05INA1	PF2	142	127	1	98	-	-
		PN2	11	12	14	11	11	-
	T32A05OUTA	PF1	143	128	2	99	80	64
		PN1	10	11	13	10	10	-
	T32A05INB0	PP0	96	89	-	-	-	-
		PR0	121	-	-	-	-	-
	T32A05INB1	PP1	118	111	-	-	-	-
		PR1	122	-	-	-	-	-
	T32A05OUTB	PP2	119	112	-	-	-	-
		PR2	123	-	-	-	-	-
	T32A05INC0	PF0	144	1	3	100	1	1
		PN0	9	10	12	9	9	-
	T32A05INC1	PF2	142	127	1	98	-	-
		PN2	11	12	14	11	11	-
	T32A05OUTC	PF1	143	128	2	99	80	64
		PN1	10	11	13	10	10	-

Table 4.9 Signal connection List (5/8)

Function	Combination functional pin name	Port name	M4KQ (LQFP144)	M4KP (LQFP128)	M4KN (QFP100)	M4KN (LQFP100)	M4KM (LQFP80)	M4KL (LQFP64)	
ADC unit A	AINA00	PM7	49	42	-	-	-	-	
	AINA01	PM6	48	41	-	-	-	-	
	AINA02	PM5	47	40	-	-	-	-	
	AINA03	PM4	46	39	-	-	-	-	
	AINA04	PM3	45	38	-	-	-	-	
	AINA05	PM2	44	37	33	30	-	-	
	AINA06	PM1	43	36	32	29	-	-	
	AINA07	PM0	42	35	31	28	-	-	
	AINA08	PL7	41	34	30	27	25	20	
	AINA09	PL6	40	33	29	26	24	19	
	AINA13	PL5	39	32	28	25	23	18	
	AINA14	PL3	37	30	26	23	21	16	
	AINA15	PL1	35	28	24	21	19	14	
	AINA16	PL0	34	27	23	20	18	13	
	AINA17	PL2	36	29	25	22	20	15	
	AINA18	PL4	38	31	27	24	22	17	
	ADC unit B	AINB00	PK0	61	54	42	39	34	27
		AINB01	PK1	60	53	41	38	33	26
AINB02		PK2	59	52	40	37	32	25	
AINB03		PK3	58	51	39	36	31	-	
AINB04		PK4	57	50	38	35	30	-	
AINB05		PK5	56	49	-	-	-	-	
AINB06		PK6	55	48	-	-	-	-	
AINB07		PK7	54	47	-	-	-	-	
ADC unit C	AINC00	PJ0	69	62	48	45	38	30	
	AINC01	PJ1	68	61	47	44	37	29	
	AINC02	PJ2	67	60	46	43	36	28	
	AINC03	PJ3	66	59	45	42	35	-	
	AINC04	PJ4	65	58	44	41	-	-	
	AINC05	PJ5	64	57	43	40	-	-	
	AINC06	PJ6	63	56	-	-	-	-	
	AINC07	PJ7	62	55	-	-	-	-	

Table 4.10 Signal connection List (6/8)

Function	Combination functional pin name	Port name	M4KQ (LQFP144)	M4KP (LQFP128)	M4KN (QFP100)	M4KN (LQFP100)	M4KM (LQFP80)	M4KL (LQFP64)
IA/IB	INT00	PA2	27	20	20	17	15	10
	INT01b	PA3	28	21	21	18	16	11
	INT01a	PA4	29	22	22	19	17	12
	INT02a	PC1	71	64	50	47	40	32
	INT02b	PC6	76	69	55	52	-	-
	INT03a	PC3	73	66	52	49	42	34
	INT03b	PD2	99	92	69	66	-	-
	INT04b	PE1	111	104	81	78	62	50
	INT04a	PE3	113	106	83	80	64	52
	INT05a	PE5	115	108	85	82	66	54
	INT05b	PE6	116	109	86	83	67	55
	INT06a	PF1	143	128	2	99	80	64
	INT06b	PF2	142	127	1	98	-	-
	INT07a	PU1	2	3	5	2	3	3
	INT07b	PU2	3	4	6	3	4	4
	INT08a	PU3	4	5	7	4	5	5
	INT08b	PU4	5	6	8	5	6	6
	INT09	PU6	7	8	10	7	8	8
	INT10	PC2	72	65	51	48	41	33
	INT11a	PE4	114	107	84	81	65	53
	INT11b	PE5	115	108	85	82	66	54
	INT12	PU0	1	2	4	1	2	2
	INT13	PU5	6	7	9	6	7	7
	INT14a	PF4	140	125	99	96	78	-
	INT14b	PF5	139	124	98	95	-	-
	INT15	PA1	26	19	19	16	14	-
	INT16a	PN1	10	11	13	10	10	-
	INT16b	PN2	11	12	14	11	11	-
	INT17b	PD0	97	90	67	64	-	-
	INT17a	PD1	98	91	68	65	-	-
	INT18b	PD4	101	94	71	68	-	-
	INT18a	PD5	102	95	72	69	-	-
INT19a	PP1	118	111	-	-	-	-	
INT19b	PP2	119	112	-	-	-	-	
INT20b	PW3	19	-	-	-	-	-	
INT20a	PW4	20	-	-	-	-	-	
INT21	PG3	106	99	76	73	57	45	



Table 4.11 Signal connection List (7/8)

Function	Combination functional pin name	Port name	M4KQ (LQFP144)	M4KP (LQFP128)	M4KN (QFP100)	M4KN (LQFP100)	M4KM (LQFP80)	M4KL (LQFP64)
A-PMD ch0	EMG0	PB6	84	77	63	60	51	41
	OVV0	PB7	85	78	64	61	-	-
	UO0	PB0	78	71	57	54	45	35
	VO0	PB2	80	73	59	56	47	37
	WO0	PB4	82	75	61	58	49	39
	XO0	PB1	79	72	58	55	46	36
	YO0	PB3	81	74	60	57	48	38
	ZO0	PB5	83	76	62	59	50	40
	PMD0DBG	PB7	85	78	64	61	-	-
PC2		72	65	51	48	41	33	
A-PMD ch1	EMG1	PE6	116	109	86	83	67	55
	OVV1	PE7	117	110	87	84	-	-
	UO1	PE0	110	103	80	77	61	49
	VO1	PE2	112	105	82	79	63	51
	WO1	PE4	114	107	84	81	65	53
	XO1	PE1	111	104	81	78	62	50
	YO1	PE3	113	106	83	80	64	52
	ZO1	PE5	115	108	85	82	66	54
	PMD1DBG	PC3	73	66	52	49	42	34
PE7		117	110	87	84	-	-	
A-PMD ch2	EMG2	PU6	7	8	10	7	8	8
	OVV2	PU7	8	9	11	8	-	-
	UO2	PU0	1	2	4	1	2	2
	VO2	PU2	3	4	6	3	4	4
	WO2	PU4	5	6	8	5	6	6
	XO2	PU1	2	3	5	2	3	3
	YO2	PU3	4	5	7	4	5	5
	ZO2	PU5	6	7	9	6	7	7
	PMD2DBG	PA2	27	20	20	17	15	10
PU7		8	9	11	8	-	-	
A-ENC32 ch0	ENC0A	PN0	9	10	12	9	9	-
		PP3	120	113	-	-	-	-
	ENC0B	PN1	10	11	13	10	10	-
		PP4	30	23	-	-	-	-
	ENC0Z	PN2	11	12	14	11	11	-
PP5	31	24	-	-	-	-		
A-ENC32 ch1	ENC1A	PF3	141	126	100	97	79	-
		PR3	124	-	-	-	-	-
	ENC1B	PF4	140	125	99	96	78	-
		PR4	125	-	-	-	-	-
	ENC1Z	PF5	139	124	98	95	-	-
PR5	126	-	-	-	-	-		
A-ENC32 ch2	ENC2A	PD3	100	93	70	67	-	-
		PU3	4	5	7	4	5	5
	ENC2B	PD4	101	94	71	68	-	-
		PU5	6	7	9	6	7	7
	ENC2Z	PD5	102	95	72	69	-	-
PU6	7	8	10	7	8	8		

Table 4.12 Signal connection List (8/8)

Function	Combination functional pin name	Port name	M4KQ (LQFP144)	M4KP (LQFP128)	M4KN (QFP100)	M4KN (LQFP100)	M4KM (LQFP80)	M4KL (LQFP64)
TRGSEL	TRGIN0	PA2	27	20	20	17	15	10
	TRGIN1	PA3	28	21	21	18	16	11
	TRGIN2	PA4	29	22	22	19	17	12
JTAG	TMS	PF0	144	1	3	100	-	-
	TCK	PF1	143	128	2	99	-	-
	TDO	PF2	142	127	1	98	-	-
	TDI	PF3	141	126	100	97	-	-
	TRST_N	PF4	140	125	99	96	-	-
SW	SWDIO	PF0	144	1	3	100	1	1
	SWCLK	PF1	143	128	2	99	80	64
	SWV	PF2	142	127	1	98	-	-
TRACE	TRACECLK	PF5	139	124	98	95	-	-
	TRACEDATA0	PF6	138	123	97	94	-	-
	TRACEDATA1	PF7	137	122	96	93	-	-
	TRACEDATA2	PN0	9	10	12	9	-	-
	TRACEDATA3	PN1	10	11	13	10	-	-
NBDIF	NBDSYNC	PF4	140	125	99	96	-	-
	NBDCLK	PF5	139	124	98	95	-	-
	NBDDATA0	PF6	138	123	97	94	-	-
	NBDDATA1	PF7	137	122	96	93	-	-
	NBDDATA2	PN0	9	10	12	9	-	-
	NBDDATA3	PN1	10	11	13	10	-	-
Control pin	X1	PH0	134	119	93	90	73	61
	X2	PH1	135	120	94	91	74	62
	EHCLKIN	PH0	134	119	93	90	73	61
	BOOT_N	PG2	105	98	75	72	56	44
	RESET_N		136	121	95	92	75	63
	MODE		133	118	92	89	72	60

## 4.3. Ports

The symbols of each table of the port have the following meanings.

- Input/Output: Input or/and Output of Port  
Input: Input port  
Output: Output port  
I/O: Input/Output port
- PU/PD: Programmable pull-up/pull-down  
PU: Programmable pull-up is selectable  
PD: Programmable pull-down is selectable
- OD: Programmable open-drain output  
Yes: Support  
No: Non support
- 5V\_T: 5V-tolerant  
Yes: Support  
N/A: Not available
- SMT/CMOS: Input gate  
SMT: Schmitt trigger input  
CMOS: CMOS input
- State under Reset: Port state under Reset  
Hi-z: High impedance  
PU: Pull-up  
PD: Pull-down
- State after Reset: Port state after Reset  
Hi-z: High impedance  
PU: Pull-up  
PD: Pull-down

## 4.3.1. Port Specification Table

Table 4.13 Pin numbers, and specifications of Port A, B, C, D

Port Name	Input/Output	PU/PD	OD	5V_T	SMT/CMOS	Under Reset	After Reset
PA0	I/O	PU/PD	YES	N/A	SMT	Hi-z	Hi-z
PA1	I/O	PU/PD	YES	N/A	SMT	Hi-z	Hi-z
PA2	I/O	PU/PD	YES	N/A	SMT	Hi-z	Hi-z
PA3	I/O	PU/PD	YES	N/A	SMT	Hi-z	Hi-z
PA4	I/O	PU/PD	YES	N/A	SMT	Hi-z	Hi-z
PB0	I/O	PU/PD	YES	N/A	SMT	Hi-z	Hi-z
PB1	I/O	PU/PD	YES	N/A	SMT	Hi-z	Hi-z
PB2	I/O	PU/PD	YES	N/A	SMT	Hi-z	Hi-z
PB3	I/O	PU/PD	YES	N/A	SMT	Hi-z	Hi-z
PB4	I/O	PU/PD	YES	N/A	SMT	Hi-z	Hi-z
PB5	I/O	PU/PD	YES	N/A	SMT	Hi-z	Hi-z
PB6	I/O	PU/PD	YES	N/A	SMT	Hi-z	Hi-z
PB7	I/O	PU/PD	YES	N/A	SMT	Hi-z	Hi-z
PC0	I/O	PU/PD	YES	YES	SMT	Hi-z	Hi-z
PC1	I/O	PU/PD	YES	YES	SMT	Hi-z	Hi-z
PC2	I/O	PU/PD	YES	N/A	SMT	Hi-z	Hi-z
PC3	I/O	PU/PD	YES	N/A	SMT	Hi-z	Hi-z
PC4	I/O	PU/PD	YES	N/A	SMT	Hi-z	Hi-z
PC5	I/O	PU/PD	YES	N/A	SMT	Hi-z	Hi-z
PC6	I/O	PU/PD	YES	N/A	SMT	Hi-z	Hi-z
PC7	I/O	PU/PD	YES	N/A	SMT	Hi-z	Hi-z
PD0	I/O	PU/PD	YES	N/A	SMT	Hi-z	Hi-z
PD1	I/O	PU/PD	YES	N/A	SMT	Hi-z	Hi-z
PD2	I/O	PU/PD	YES	N/A	SMT	Hi-z	Hi-z
PD3	I/O	PU/PD	YES	YES	SMT	Hi-z	Hi-z
PD4	I/O	PU/PD	YES	YES	SMT	Hi-z	Hi-z
PD5	I/O	PU/PD	YES	N/A	SMT	Hi-z	Hi-z

Table 4.14 Pin numbers, and specifications of Port E, F, G, H

Port Name	Input/Output	PU/PD	OD	5V_T	SMT/CMOS	Under Reset	After Reset
PE0	I/O	PU/PD	YES	N/A	SMT	Hi-z	Hi-z
PE1	I/O	PU/PD	YES	N/A	SMT	Hi-z	Hi-z
PE2	I/O	PU/PD	YES	N/A	SMT	Hi-z	Hi-z
PE3	I/O	PU/PD	YES	N/A	SMT	Hi-z	Hi-z
PE4	I/O	PU/PD	YES	N/A	SMT	Hi-z	Hi-z
PE5	I/O	PU/PD	YES	N/A	SMT	Hi-z	Hi-z
PE6	I/O	PU/PD	YES	N/A	SMT	Hi-z	Hi-z
PE7	I/O	PU/PD	YES	N/A	SMT	Hi-z	Hi-z
PF0	I/O	PU/PD	YES	N/A	SMT	PU(Note2)	PU(Note2)
PF1	I/O	PU/PD	YES	N/A	SMT	PD(Note2)	PD(Note2)
PF2	I/O	PU/PD	YES	N/A	SMT	Hi-z (Note2)	Hi-z (Note2)
PF3	I/O	PU/PD	YES	N/A	SMT	PU(Note2)	PU(Note2)
PF4	I/O	PU/PD	YES	N/A	SMT	PU(Note2)	PU(Note2)
PF5	I/O	PU/PD	YES	N/A	SMT	Hi-z	Hi-z
PF6	I/O	PU/PD	YES	N/A	SMT	Hi-z	Hi-z
PF7	I/O	PU/PD	YES	N/A	SMT	Hi-z	Hi-z
PG0	I/O	PU/PD	YES	N/A	SMT	Hi-z	Hi-z
PG1	I/O	PU/PD	YES	N/A	SMT	Hi-z	Hi-z
PG2	Output	PU/PD (Note1)	YES	N/A	SMT	Hi-z (Note1)	Hi-z
PG3	I/O	PU/PD	YES	N/A	SMT	Hi-z	Hi-z
PG4	I/O	PU/PD	YES	N/A	SMT	Hi-z	Hi-z
PG5	I/O	PU/PD	YES	N/A	SMT	Hi-z	Hi-z
PG6	I/O	PU/PD	YES	N/A	SMT	Hi-z	Hi-z
PH0	Input	PD	NO	N/A	SMT	Hi-z	Hi-z
PH1	Input	PD	NO	N/A	SMT	Hi-z	Hi-z

Note1: Combination with BOOT\_N. When RESET\_N=0, Pull-up resistor is enabled.  
When RESET\_N=1, the pin state is Hi-z with internal reset.

Note2: It is assigned to a debugging pin in the state of the initial stage. (PF3: TDI, PF2: TDO/SWV, PF0: TMS/SWDIO, PF1: TCK/SWCLK, PF4: TRST\_N)  
When receiving the command from TOOL, PF2: TDO/SWV becomes output.

Table 4.15 Pin numbers, and specifications of Port J, K, L

Port Name	Input/Output	PU/PD	OD	5V_T	SMT/CMOS	Under Reset	After Reset
PJ0	I/O	PU/PD	YES	N/A	SMT	Hi-z	Hi-z
PJ1	I/O	PU/PD	YES	N/A	SMT	Hi-z	Hi-z
PJ2	I/O	PU/PD	YES	N/A	SMT	Hi-z	Hi-z
PJ3	I/O	PU/PD	YES	N/A	SMT	Hi-z	Hi-z
PJ4	I/O	PU/PD	YES	N/A	SMT	Hi-z	Hi-z
PJ5	I/O	PU/PD	YES	N/A	SMT	Hi-z	Hi-z
PJ6	I/O	PU/PD	YES	N/A	SMT	Hi-z	Hi-z
PJ7	I/O	PU/PD	YES	N/A	SMT	Hi-z	Hi-z
PK0	I/O	PU/PD	YES	N/A	SMT	Hi-z	Hi-z
PK1	I/O	PU/PD	YES	N/A	SMT	Hi-z	Hi-z
PK2	I/O	PU/PD	YES	N/A	SMT	Hi-z	Hi-z
PK3	I/O	PU/PD	YES	N/A	SMT	Hi-z	Hi-z
PK4	I/O	PU/PD	YES	N/A	SMT	Hi-z	Hi-z
PK5	I/O	PU/PD	YES	N/A	SMT	Hi-z	Hi-z
PK6	I/O	PU/PD	YES	N/A	SMT	Hi-z	Hi-z
PK7	I/O	PU/PD	YES	N/A	SMT	Hi-z	Hi-z
PL0	I/O	PU/PD	YES	N/A	SMT	Hi-z	Hi-z
PL1	I/O	PU/PD	YES	N/A	SMT	Hi-z	Hi-z
PL2	I/O	PU/PD	YES	N/A	SMT	Hi-z	Hi-z
PL3	I/O	PU/PD	YES	N/A	SMT	Hi-z	Hi-z
PL4	I/O	PU/PD	YES	N/A	SMT	Hi-z	Hi-z
PL5	I/O	PU/PD	YES	N/A	SMT	Hi-z	Hi-z
PL6	I/O	PU/PD	YES	N/A	SMT	Hi-z	Hi-z
PL7	I/O	PU/PD	YES	N/A	SMT	Hi-z	Hi-z

Not for New

**Table 4.16 Pin numbers, and specifications of Port M, N, P, R**

Port Name	Input/Output	PU/PD	OD	5V_T	SMT/CMOS	Under Reset	After Reset
PM0	I/O	PU/PD	YES	N/A	SMT	Hi-z	Hi-z
PM1	I/O	PU/PD	YES	N/A	SMT	Hi-z	Hi-z
PM2	I/O	PU/PD	YES	N/A	SMT	Hi-z	Hi-z
PM3	I/O	PU/PD	YES	N/A	SMT	Hi-z	Hi-z
PM4	I/O	PU/PD	YES	N/A	SMT	Hi-z	Hi-z
PM5	I/O	PU/PD	YES	N/A	SMT	Hi-z	Hi-z
PM6	I/O	PU/PD	YES	N/A	SMT	Hi-z	Hi-z
PM7	I/O	PU/PD	YES	N/A	SMT	Hi-z	Hi-z
PN0	I/O	PU/PD	YES	N/A	SMT	Hi-z	Hi-z
PN1	I/O	PU/PD	YES	N/A	SMT	Hi-z	Hi-z
PN2	I/O	PU/PD	YES	N/A	SMT	Hi-z	Hi-z
PP0	I/O	PU/PD	YES	N/A	SMT	Hi-z	Hi-z
PP1	I/O	PU/PD	YES	N/A	SMT	Hi-z	Hi-z
PP2	I/O	PU/PD	YES	N/A	SMT	Hi-z	Hi-z
PP3	I/O	PU/PD	YES	N/A	SMT	Hi-z	Hi-z
PP4	I/O	PU/PD	YES	N/A	SMT	Hi-z	Hi-z
PP5	I/O	PU/PD	YES	N/A	SMT	Hi-z	Hi-z
PP6	I/O	PU/PD	YES	N/A	SMT	Hi-z	Hi-z
PP7	I/O	PU/PD	YES	N/A	SMT	Hi-z	Hi-z
PR0	I/O	PU/PD	YES	N/A	SMT	Hi-z	Hi-z
PR1	I/O	PU/PD	YES	N/A	SMT	Hi-z	Hi-z
PR2	I/O	PU/PD	YES	N/A	SMT	Hi-z	Hi-z
PR3	I/O	PU/PD	YES	N/A	SMT	Hi-z	Hi-z
PR4	I/O	PU/PD	YES	N/A	SMT	Hi-z	Hi-z
PR5	I/O	PU/PD	YES	N/A	SMT	Hi-z	Hi-z
PR6	I/O	PU/PD	YES	N/A	SMT	Hi-z	Hi-z
PR7	I/O	PU/PD	YES	N/A	SMT	Hi-z	Hi-z

Not for

**Table 4.17 Pin numbers, and specifications of Port T, U, V, W**

Port Name	Input/Output	PU/PD	OD	5V_T	SMT/CMOS	Under Reset	After Reset
PT0	I/O	PU/PD	YES	YES	SMT	Hi-z	Hi-z
PT1	I/O	PU/PD	YES	YES	SMT	Hi-z	Hi-z
PT2	I/O	PU/PD	YES	N/A	SMT	Hi-z	Hi-z
PT3	I/O	PU/PD	YES	N/A	SMT	Hi-z	Hi-z
PT4	I/O	PU/PD	YES	N/A	SMT	Hi-z	Hi-z
PT5	I/O	PU/PD	YES	N/A	SMT	Hi-z	Hi-z
PT6	I/O	PU/PD	YES	N/A	SMT	Hi-z	Hi-z
PT7	I/O	PU/PD	YES	N/A	SMT	Hi-z	Hi-z
PU0	I/O	PU/PD	YES	YES	SMT	Hi-z	Hi-z
PU1	I/O	PU/PD	YES	YES	SMT	Hi-z	Hi-z
PU2	I/O	PU/PD	YES	N/A	SMT	Hi-z	Hi-z
PU3	I/O	PU/PD	YES	N/A	SMT	Hi-z	Hi-z
PU4	I/O	PU/PD	YES	N/A	SMT	Hi-z	Hi-z
PU5	I/O	PU/PD	YES	N/A	SMT	Hi-z	Hi-z
PU6	I/O	PU/PD	YES	N/A	SMT	Hi-z	Hi-z
PU7	I/O	PU/PD	YES	N/A	SMT	Hi-z	Hi-z
PV0	I/O	PU/PD	YES	N/A	SMT	Hi-z	Hi-z
PV1	I/O	PU/PD	YES	N/A	SMT	Hi-z	Hi-z
PV2	I/O	PU/PD	YES	N/A	SMT	Hi-z	Hi-z
PV3	I/O	PU/PD	YES	N/A	SMT	Hi-z	Hi-z
PW0	I/O	PU/PD	YES	N/A	SMT	Hi-z	Hi-z
PW1	I/O	PU/PD	YES	N/A	SMT	Hi-z	Hi-z
PW2	I/O	PU/PD	YES	N/A	SMT	Hi-z	Hi-z
PW3	I/O	PU/PD	YES	N/A	SMT	Hi-z	Hi-z
PW4	I/O	PU/PD	YES	N/A	SMT	Hi-z	Hi-z
PW5	I/O	PU/PD	YES	N/A	SMT	Hi-z	Hi-z
PW6	I/O	PU/PD	YES	N/A	SMT	Hi-z	Hi-z
PW7	I/O	PU/PD	YES	N/A	SMT	Hi-z	Hi-z



## 5. Functional Description and Operation Description

### 5.1. Reference Manuals

For more information on product of TMPM4K Group(2), please refer to Reference Manuals below;

**Table 5.1 Reference Manuals for TMPM4K Group(2)**

Reference Manual	IP Symbol	Category
Input/Output Ports (TMPM4K Group(2))	PORT-M4K(2)	System
Memory Map (TMPM4K Group(2))	MMAP-M4K(2)	System
Exception (TMPM4K Group(2))	EXCEPT-M4K(2)	System
Clock Control and Operation Mode (TMPM4K Group(2))	CG-M4K(2)-E	System
Product Information (TMPM4K Group(2))	PINFO-M4K(2)	System
Power supply and Reset operation (TMPM4K Group(2))	RESET-M4K(2)	System
Flash Memory	FLASH512HD32-B	Peripheral
Trimming Circuit	TRM-A	Peripheral
Oscillation Frequency Detector	OFD-A	Peripheral
Voltage Detection Circuit	LVD-B	Peripheral
Digital Noise Filter Circuit	DNF-A	Peripheral
Debug Interface	DEBUG-A	Peripheral
Non Break Debug Interface	NBDIF-A	Peripheral
DMA Controller	DMAC-B	Peripheral
Asynchronous Serial Communication Circuit	UART-C	Peripheral
Serial Peripheral Interface	TSPI-B	Peripheral
I <sup>2</sup> C Interface	I2C-B	Peripheral
CAN Controller	CAN-A	Peripheral
12-bit Analog to Digital Converter	ADC-D	Peripheral
Operational Amplifier	OPAMP-A	Peripheral
Advanced Programmable Motor Control Circuit	A-PMD-A	Peripheral
Advanced Encoder Input Circuit (32-bit)	A-ENC32-A	Peripheral
Advanced Vector Engine Plus	A-VE+-B	Peripheral
32-bit Timer Event Counter	T32A-B	Peripheral
Clock Selective Watchdog Timer	SIWDT-A	Peripheral
CRC Calculation Circuit	CRC-A	Peripheral
RAM Parity	RAMP-B	Peripheral

## 5.2. Processor Core

The TMPM4K Group(2) incorporates a high-performance 32-bit processor core (Arm Cortex-M4 processor with FPU).

For the operation of the processor core, refer to the Arm documentation set for "Cortex-M series processors". This section explains the product-specific information.

### 5.2.1. Core Information

The Cortex-M4 processor with FPU revision used in the TMPM4K Group(2) is shown as below:

For details of the CPU core and the architecture, refer to the documentation of the Arm in the following URL:

<http://infocenter.arm.com/help/index.jsp>

**Table 5.2 Core revision**

Group name	Core revision
TMPM4K Group(2)	r0p1

### 5.2.2. Configurable Options

In the Cortex-M4 processor with FPU, some blocks can be selected to implement. The following table shows the configurations of the TMPM4K Group(2).

**Table 5.3 Configurable options and their implementations**

Configurable option	Implementation
FWB	Literal comparator: 2 Instruction comparator: 6
DWT	Comparator: 4
ITM	Available
MPU	Available
ETM	Available
AHB-AP	Available
AHB trace macro cell interface	Not available
TPIU	Available
WIC	Not available
Debug port	JTAG/Serial wire
Bit band	Available
Sequential control of AHB	Not available

## 5.3. Clock Control and Operation Mode (CG)

The CG selects a clock gear ratio and the prescaler clock, or warm up time of the oscillator.

There are NORMAL mode and low-power consumption mode as operation modes. Power consumption can be decreased by mode transition.

The system clock consists of "High speed system clock" and "Middle speed system clock". The former is a high speed oscillation clock and the latter is generated by dividing High speed system clock.

The outline of the clock/mode control circuit is as follows:

- Internal high speed oscillator: 10MHz
- Selectable from the external high speed oscillator or internal high speed oscillator.
- PLL (Clock Multiplication Circuit)  
For System clock, Capable of 160 MHz output by changing the multiplication ratio according to the frequency of the high speed oscillation circuit.
- Clock gear:  
The high speed clock can be divided by 1/1, 1/2, 1/4, 1/8, or 1/16 and the clock is used as the system clock (fsys).
- Low-power consumption mode:  
IDLE: Only the CPU is stopped in this mode. Each peripheral circuit can enable or disable operation in the IDLE mode.  
STOP1: The system clock is stopped in this mode.

## 5.4. Flash Memory (Code FLASH, Data FLASH)

TMPM4K Group(2) has 512KB/256KB/128KB of Code flash and 32KB of Data flash.

The code flash stores instruction code, and CPU reads instruction code and executes. The data flash stores data, and even if a power supply is off, data can be kept.

It has the dual mode that possible to write and erase data flash while executing an order by a code flash. And it's also possible to continue executing an application program during writing or erasing data flash memory.

It has protection function which prohibits write or erase by the block unit and it has the security function which prohibits the reading of the program code by the 3rd person.

## 5.5. Oscillator

External High Speed Oscillator (EHOSC):

Connect crystal resonator or ceramic resonator to terminals. Use clock source for System clock.

Internal High Speed Oscillator 1 (IHOSC1):

The oscillation frequency is 10MHz. Use clock source for System clock.

Internal High Speed Oscillator 2 (IHOSC2):

The oscillation frequency is 10MHz. Use clock source for OFD and SIWDT.

**Table 5.4 Built-in Oscillator**

	M4KQ	M4KP	M4KN	M4KM	M4KL
EHOSC	✓	✓	✓	✓	✓
IHOSC1	✓	✓	✓	✓	✓
IHOSC2	✓	✓	✓	✓	✓

Note: ✓: Available, -: N/A

## 5.6. Trimming Circuit (TRM)

The TRM can adjust oscillation frequency of the internal high speed oscillator (IHOSC1).

**Table 5.5 Built-in TRM**

	M4KQ	M4KP	M4KN	M4KM	M4KL
TRM	✓	✓	✓	✓	✓

Note: ✓: Available, -: N/A

## 5.7. Oscillation Frequency Detection Circuit (OFD)

The OFD is a function that detects an abnormal state of the clock. It measures the external high speed oscillation ( $f_{EHOSC}$ ) or high speed clock ( $f_c$ ) based on the internal reference clock ( $f_{IHOSC2}$ ). If an oscillation or clock frequency is out of the specified range, a reset signal occurs.

The upper limit and the lower limit of detection frequency ranges can be specified respectively.

**Table 5.6 Built-in OFD**

	M4KQ	M4KP	M4KN	M4KM	M4KL
OFD	✓	✓	✓	✓	✓

Note: ✓: Available, -: N/A

## 5.8. Voltage Detection Circuit (LVD)

The LVD is a peripheral function that detects whether a power supply voltage is lower or higher than the preset voltage. When a low voltage or higher voltage than the preset voltage is detected, the LVD generates an interrupt request or reset the MCU.

Setting voltage can be chosen from eight kinds. LVD is set to enable from the Reset state at the Power on.

**Table 5.7 Built-in LVD**

	M4KQ	M4KP	M4KN	M4KM	M4KL
LVD	✓	✓	✓	✓	✓

Note: ✓: Available, -: N/A

## 5.9. Digital Noise Filter circuit(DNF)

The DNF can eliminate the noise of input signals from external interrupt pins at the certain range. The noise of the High level / Low level input of the external interrupt signal INTx is removed.

**Table 5.8 Number of External Interrupt (Built-in DNF)**

	M4KQ	M4KP	M4KN	M4KM	M4KL
Number of External Interrupt	22	21	20	18	15

## 5.10. Debug Interface (DEBUG)

TMPM4K Group(2) contain Interface for connecting debug tool, which is the Serial Wire Debug Port (SWCLK, SWDIO) and the JTAG Debug Port (TDI, TDO, TMS, TCK, TRST\_N). These are connected with the Debug tool and used for program development. And also it contains the trace clock(TRACECLK) and data output (TRACEDATA0to3) to reduce the Debug Process.

TMPM4K Group(2) products support serial wire debug ports, JTAG debug ports, trace outputs, and NBDIF.

**Table 5.9 Built-in Debug Interface**

Debug function	Pin Name	PORT	M4KQ	M4KP	M4KN	M4KM	M4KL
SW	SWDIO	PF0	✓	✓	✓	✓	✓
	SWCLK	PF1	✓	✓	✓	✓	✓
	SWV	PF2	✓	✓	✓	-	-
JTAG	TMS	PF0	✓	✓	✓	-	-
	TCK	PF1	✓	✓	✓	-	-
	TDO	PF2	✓	✓	✓	-	-
	TDI	PF3	✓	✓	✓	-	-
	TRST_N	PF4	✓	✓	✓	-	-
TRACE	TRACECLK	PF5	✓	✓	✓	-	-
	TRACEDATA0	PF6	✓	✓	✓	-	-
	TRACEDATA1	PF7	✓	✓	✓	-	-
	TRACEDATA2	PN0	✓	✓	✓	-	-
	TRACEDATA3	PN1	✓	✓	✓	-	-
NBDIF	NBDSYNC	PF4	✓	✓	✓	-	-
	NBDCLK	PF5	✓	✓	✓	-	-
	NBDDATA0	PF6	✓	✓	✓	-	-
	NBDDATA1	PF7	✓	✓	✓	-	-
	NBDDATA2	PN0	✓	✓	✓	-	-
	NBDDATA3	PN1	✓	✓	✓	-	-

Note: ✓: Available, -: N/A

### 5.10.1. Non Break Debug Interface (NBDIF)

Connecting debug tools supporting NBDIF can provide RAM monitor function.

NBDIF support vary depending on the product. Please refer to "Table 5.9 Built-in Debug Interface".

## 5.11. DMA Controller (DMAC)

The DMAC is the peripheral function to move the data between peripheral functions and the memory, or between memories. These operations are performed separately from the CPU control; thus, the CPU load can greatly be reduced by using the DMA.

TMPM4K Group(2) product has one DMA controller (DMAC) unit, and there are up to 32 channels of activation factors per unit.

**Table 5.10 Built-in DMAC**

DMAC	M4KQ	M4KP	M4KN	M4KM	M4KL
Unit A	✓	✓	✓	✓	✓

Note: ✓: Available, -: N/A

## 5.12. Asynchronous Serial Communication Circuit (UART)

The UART is asynchronous serial communication function. It can choose the data length of 7, 8 or 9bits, parity existence, and a STOP bit length function. Moreover, selection of the MSB first /LSB first and reversal of data polarity can be performed and Terminal exchanged of TXD/RXD can be performed in a Port setting.

The FIFO buffer supports data communication on 8-stage at transmission; and on 8-stage at reception. The telecommunication control by CTS/RTS is supported.

**Table 5.11 Built-in UART**

Channel	M4KQ	M4KP	M4KN	M4KM	M4KL
Channel 0	✓	✓	✓	✓	✓
Channel 1	✓	✓	✓	✓	✓
Channel 2	✓	✓	✓	✓	✓
Channel 3	✓	✓	✓	✓	-

Note1: ✓: Available, -: N/A

Note2: External pins vary depending on the product. Please refer to section "2. Pin Assignment".

## 5.13. Serial Peripheral Interface (TSPI)

The TSPI supports two communication methods and enables to perform serial communication between other devices at high speed. The SPI bus type, which uses a CS (Chip Select) signal at communications, and SIO bus type, which does not use a CS signal at communications can be selected.

The data length can be changed from 7 bits (with a parity bit) to 32 bits (without a parity bit) in the unit of one bit. There is an 8-stage 16-bit FIFO for reception and transmission, each. The TSPI supports the master and slave communications.

**Table 5.12 Built-in TSPI**

Channel	M4KQ	M4KP	M4KN	M4KM	M4KL
Channel 0	✓	✓	✓	✓	✓
Channel 1	✓	✓	✓	✓	✓

Note1: ✓: Available, -: N/A

Note2: External pins vary depending on the product. Please refer to section "2. Pin Assignment".

## 5.14. I<sup>2</sup>C Interface (I<sup>2</sup>C)

I<sup>2</sup>C is two-wire bi-directional serial communications between Master and Slave device. The mode in which two or more masters can exist on the same bus called a multi-master is supported. It supports Standard mode (Max 100kbps), Fast mode (Max 400kbps).

**Table 5.13 Built-in I<sup>2</sup>C**

Channel	M4KQ	M4KP	M4KN	M4KM	M4KL
Channel 0	✓	✓	✓	✓	✓
Channel 1	✓	✓	✓	✓	✓

Note: ✓: Available, -: N/A

## 5.15. CAN controller (CAN)

The CAN is a system that can mutually communicate without a host computer. It conforms to CAN version 2.0 B active and supports the standard and extended format. It has 32 mailbox and maximum transfer rate is 1Mbps.

**Table 5.14 Built-in CAN**

Channel	M4KQ	M4KP	M4KN	M4KM	M4KL
Channel 0	✓	✓	✓	-	-

Note1: ✓: Available, -: N/A

Note2: External pins vary depending on the product. Please refer to section "2. Pin Assignment".



## 5.16. 12-bit Analog to Digital Converter (ADC)

The ADC is a 12-bit successive-approximation analog-to-digital converter. The combination of a conversion result register and analog input can be programmed in each startup trigger of AD conversion. A startup trigger for analog to digital conversion can be selected from software or peripheral functions (A-PMD trigger outputs, timer/event counter outputs, port inputs). A motor is easily controllable by cooperating especially with A-PMD.

The monitor function of conversion result is also available and it can generate an interrupt when the compare conditions are matched.

This ADC incorporates a selector to connect VREFH/VREFL with reference power supply. Controlling by software can support self-diagnosis function.

**Table 5.15 Built-in ADC channel list**

ADC	M4KQ	M4KP	M4KN	M4KM	M4KL
Unit A Analog Inputs Pin count	16	16	11	8	8
Unit B Analog Inputs Pin count	8	8	5	5	3
Unit C Analog Inputs Pin count	8	8	6	4	3

## 5.17. Operational Amplifier (OPAMP)

This MCU incorporates an OPAMP to amplify weak analog signals inputting to the ADC. The input gain is selectable.

**Table 5.16 Built-in OPAMP**

Unit	M4KQ	M4KP	M4KN	M4KM	M4KL
Unit A	✓	✓	✓	✓	✓
Unit B	✓	✓	✓	✓	✓
Unit C	✓	✓	✓	✓	✓

Note: ✓: Available, -: N/A

## 5.18. Advanced Programmable Motor Control Circuit (A-PMD)

The A-PMD enables users to control brushless DC motors easily. It incorporates the pulse modulation circuit and dead-time circuit, and easily generates signals for motor control that makes 3-phase complementary PWM output and ADC cooperate.

It also provides the over-voltage detection input and abnormal detection input to support safety measures.

Furthermore, 3-phase interleaved PFC control for power-factor improvement can be provided.

**Table 5.17 Built-in A-PMD**

Channel	M4KQ	M4KP	M4KN	M4KM	M4KL
Channel 0	✓	✓	✓	✓	✓
Channel 1	✓	✓	✓	✓	✓
Channel 2	✓	✓	✓	✓	✓

Note1: ✓: Available, -: N/A

## 5.19. Advanced Encoder Input Circuit (32-bit) (A-ENC32)

The A-ENC32 supports an incremental encoder to acquire the motor position easily. The noise canceller is installed in the input pins, so that the signals from an incremental encoder or Hall sensor can be input directly.

The A-ENC32 provides six operation modes: encoder mode, sensor modes (3 kinds), timer mode, and phase counter mode.

**Table 5.18 Built-in A-ENC**

Channel	M4KQ	M4KP	M4KN	M4KM	M4KL
Channel 0	✓	✓	✓	✓	-
Channel 1	✓	✓	✓	-	-
Channel 2	✓	✓	✓	✓	✓

Note1: ✓: Available, -: N/A

Note2: External pins vary depending on the product. Please refer to section "2. Pin Assignment".

## 5.20. Advanced Vector Engine Plus (A-VE+)

The advanced vector engine plus executes vector control by hardware. In this vector operation, the ADC and A-PMD operate in a coordinated fashion without software involvement.

Also, it provides 1-shunt current detection area enlargement process, dead time compensation control, and non-interfere control.

**Table 5.19 Built-in A-VE+**

Channel	M4KQ	M4KP	M4KN	M4KM	M4KL
Channel 0	✓	✓	✓	✓	✓

Note: ✓: Available, -: N/A

## 5.21. 32-bit Timer Event Counter (T32A)

The T32A is a timer event counter that can operate as a 32-bit timer or two 16-bit timers. 16-bit Timer or 32-bit Timer can be selected. In 16-bit Timer, the T32A is comprised of Timer A and Timer B incorporating a 16-bit counter respectively. In 32-bit Timer, the T32A operates as Timer C incorporating a 32-bit counter.

The T32A have an interval timer, event counter, input capture, 2-phase counter input, PPG output, Synchronous Start, and Trigger start/stop functions.

**Table 5.20 Built-in T32A**

Channel	M4KQ	M4KP	M4KN	M4KM	M4KL
Channel 0	✓	✓	✓	✓	✓
Channel 1	✓	✓	✓	✓	✓
Channel 2	✓	✓	✓	✓	✓
Channel 3	✓	✓	✓	✓	✓
Channel 4	✓	✓	✓	✓	✓
Channel 5	✓	✓	✓	✓	✓

Note1: ✓: Available, -: N/A

Note2: External pins vary depending on the product. Please refer to section "2. Pin Assignment".

## 5.22. Clock Selective Watchdog Timer (SIWDT)

The SIWDT is a peripheral function that detects an overflow of the binary counter and generates an interrupt request or resets the MCU. This state occurs when a binary counter cannot be cleared within the preset detection time.

The count clock can be selected from three clocks: system clock ( $f_{sys}/4$ ), internal oscillator ( $f_{IHOSC1}$ ), or internal oscillator2 ( $f_{IHOSC2}$ ).

It also provides the count-clear window function that can clear the count only for the specified period.

Moreover, change of a register can be forbidden by setting to protected mode.(the count-clear function is possible)

**Table 5.21 Built-in SIWDT**

Channel	M4KQ	M4KP	M4KN	M4KM	M4KL
Channel 0	✓	✓	✓	✓	✓

Note: ✓: Available, -: N/A

## 5.23. CRC Calculation Circuit (CRC)

The CRC Calculation Circuit has the hardware calculation circuit for CRC32 and CRC16.

It can be used for detecting a memory and communication data error.

**Table 5.22 Built-in CRC**

	M4KQ	M4KP	M4KN	M4KM	M4KL
CRC	✓	✓	✓	✓	✓

Note: ✓: Available, -: N/A

## 5.24. RAM Parity (RAMP)

The RAM parity function generates and (8-bit unit) stores even parity data when writing to RAM, and performs a parity judging when reading from RAM.

An interrupt is generated when it becomes an error by judgment. The Status and Address which the error generated are known.

**Table 5.23 Built-in RAMP**

Channel	M4KQ	M4KP	M4KN	M4KM	M4KL
Channel 0	✓	✓	✓	✓	✓
Channel 1	✓	✓	✓	✓	✓

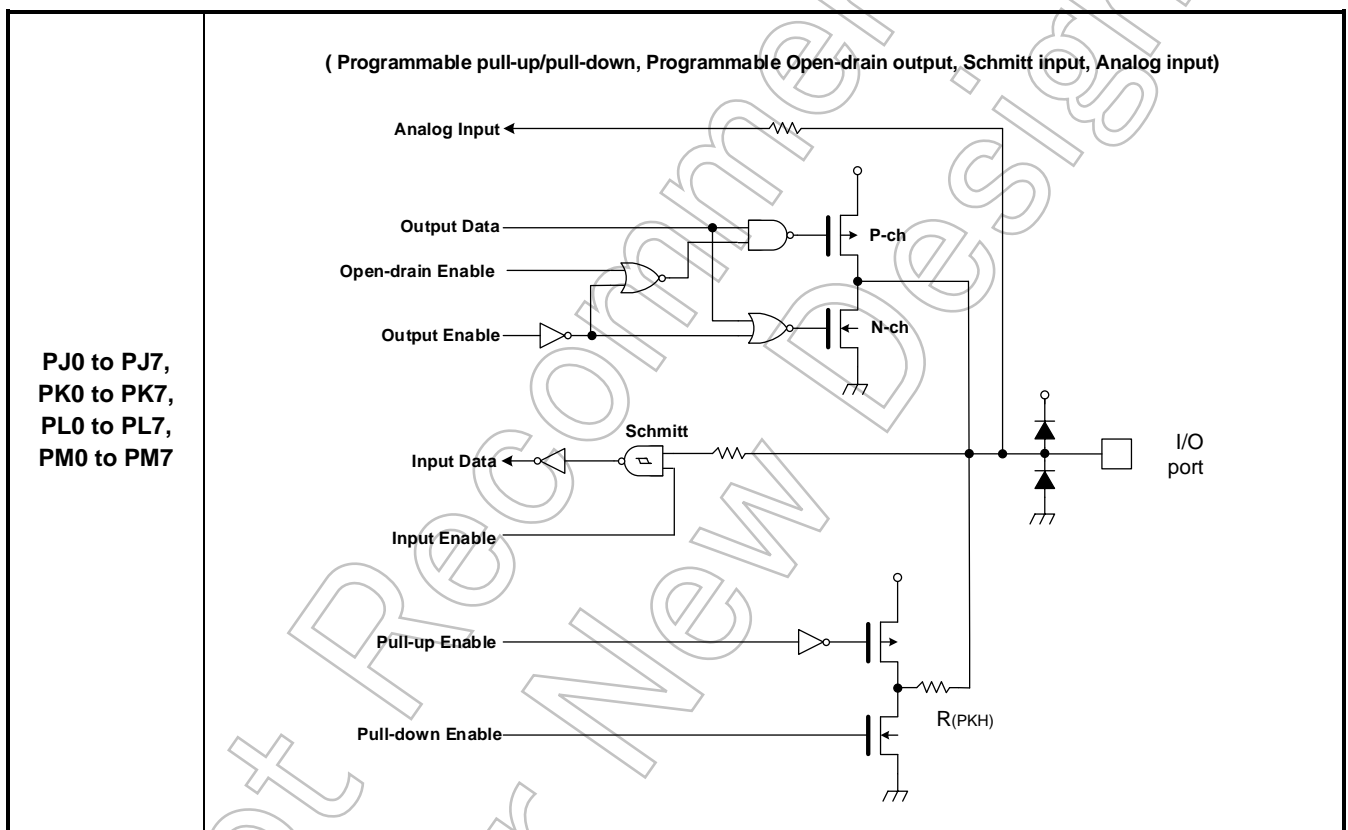
Note: ✓: Available, -: N/A

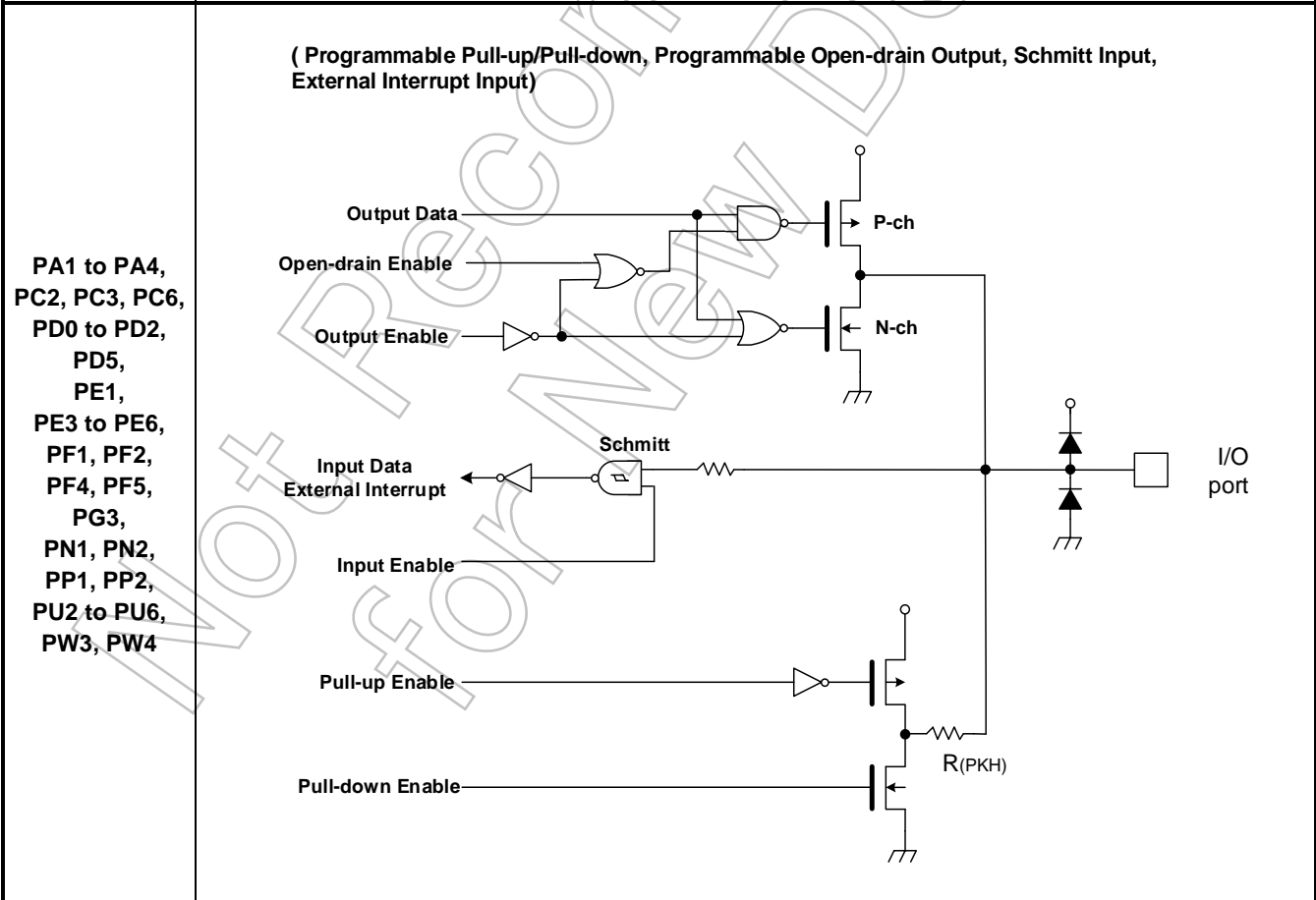
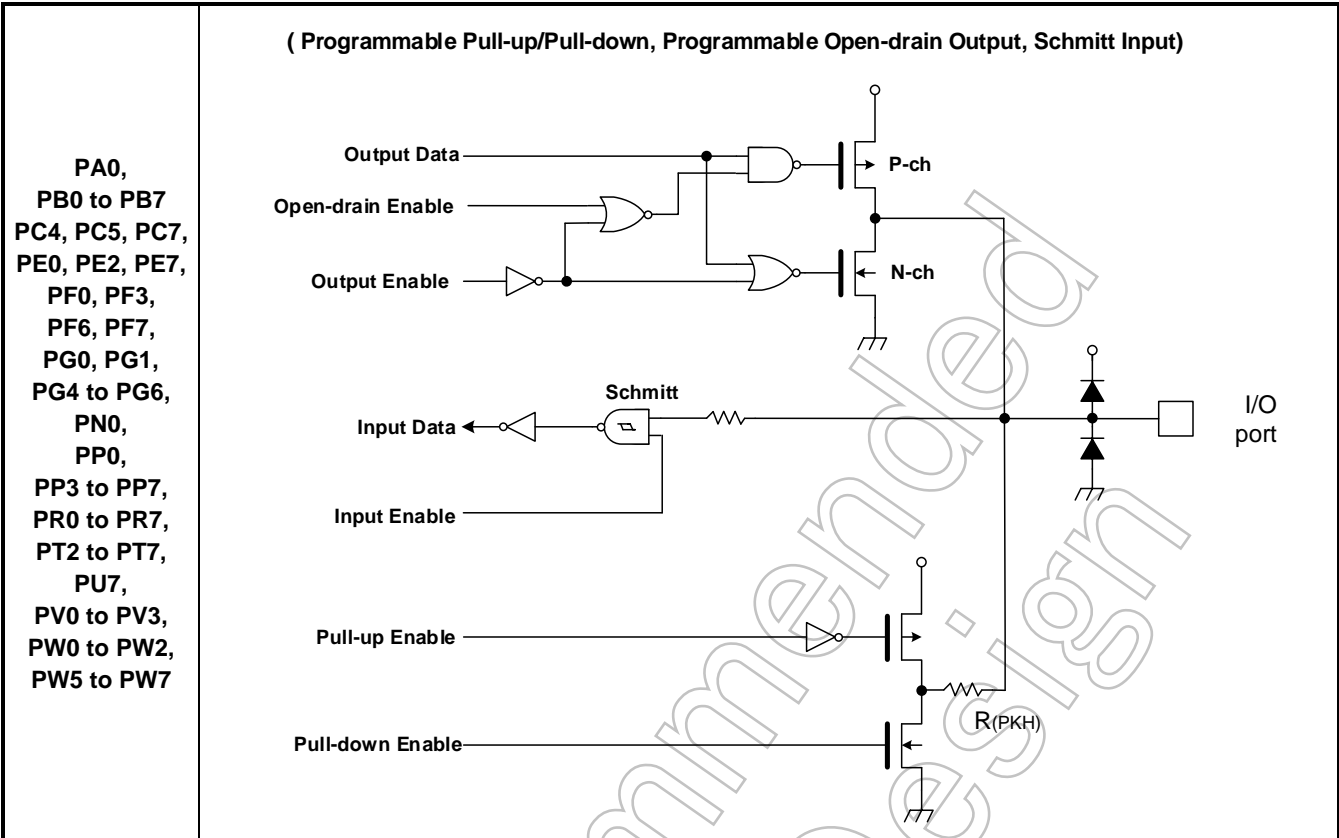
## 6. Equivalent Circuit

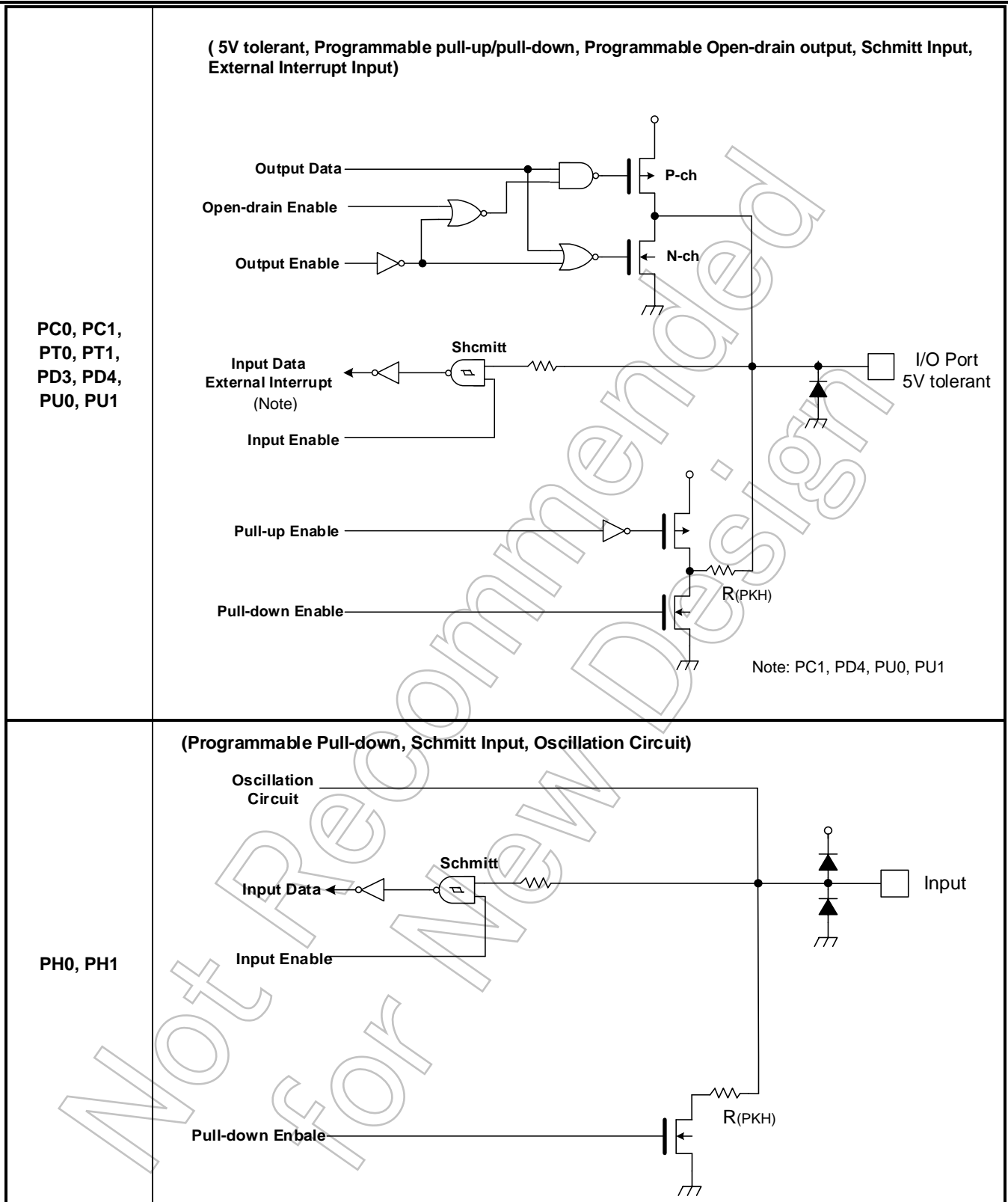
Basically, the gate symbols written are the same as those used for the standard CMOS logic IC [74HCxx] series. The input protection resistance ranges from several tens of  $\Omega$  to several hundred  $\Omega$ . Feedback resistor and Damping resistor are shown with a typical value.

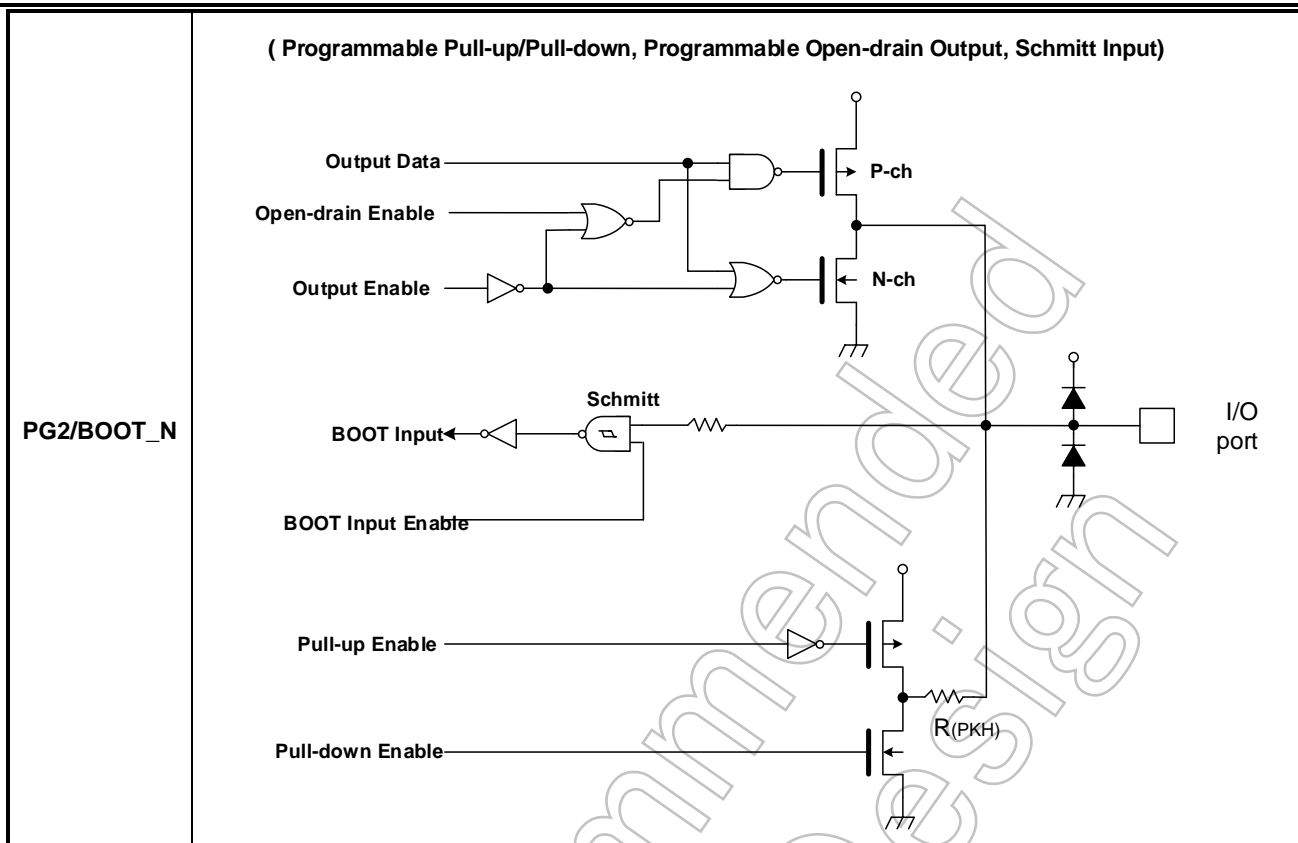
Note: The resistance without the statement of the numerical value in the figure shows input protection resistance.

### 6.1. Port

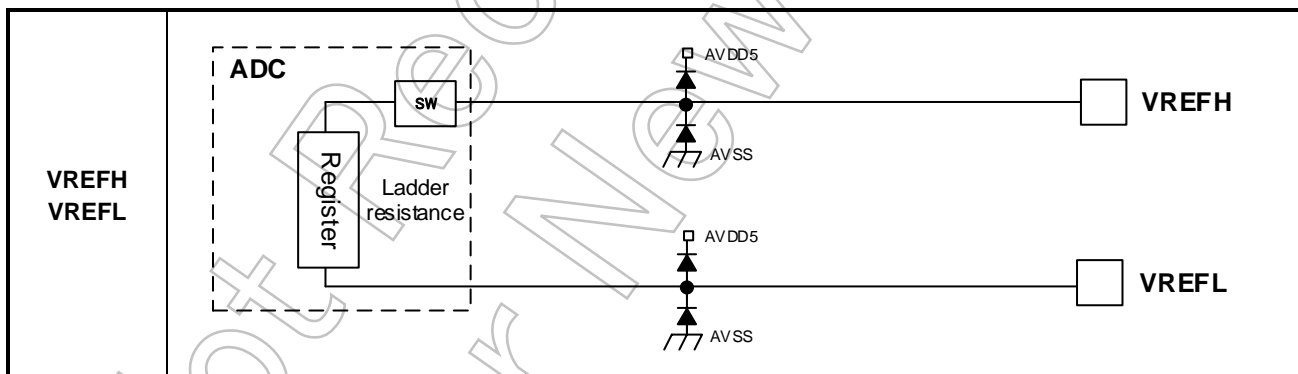








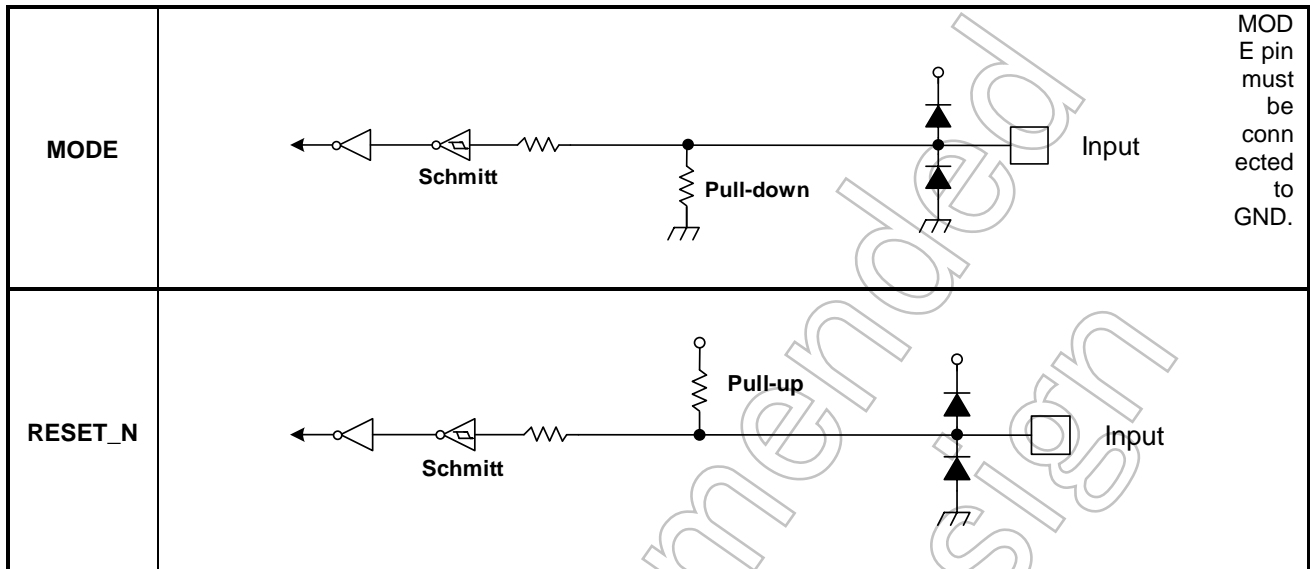
## 6.2. Analog Reference pin



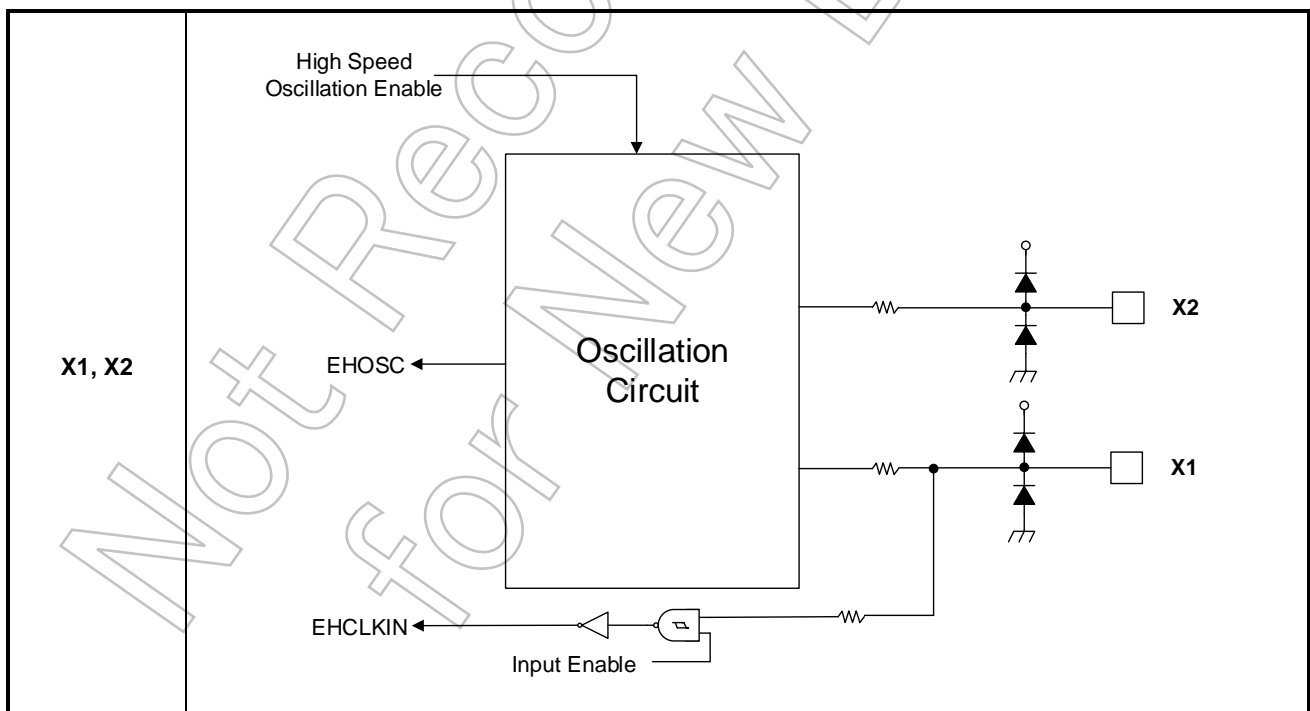
Note: SW: ON/OFF Switch Circuit



## 6.3. Control Pin



## 6.4. Clock control



## 7. Electrical Characteristics

### 7.1. Absolute Maximum Ratings

Table 7.1 Absolute maximum ratings

Parameter		Symbol	Rating	Unit
Power supply voltage		DVDD5A DVDD5B	-0.3 to 6.0	V
		AVDD5	-0.3 to 6.0 (Note2)	
Capacitor pin voltage for voltage maintenance		REGOUT1	-0.3 to 1.7	V
		REGOUT2	-0.3 to 3.9	
Input voltage	PA0 to PA4, PB0 to PB7, PC2 to PC7, PD0 to PD2, PD5, PE0 to PE7, PF0 to PF7, PG0, PG1, PG3 to PG6, PH0, PH1, PN0 to PN2, PP0 to PP7, PR0 to PR7, PT2 to PT7, PU2 to PU7, PV0 to PV3, PW0 to PW7, MODE, RESET_N, BOOT_N	V <sub>IN1</sub> V <sub>IN2</sub>	-0.3 to DVDD5+0.3(≤6.0V) (Note2)	V
	PJ0 to PJ7, PK0 to PK7, PL0 to PL7, PM0 to PM7	V <sub>IN3</sub>	-0.3 to AVDD5+0.3(≤6.0V)	
	PC0, PC1, PD3, PD4, PT0, PT1, PU0, PU1	V <sub>IN4</sub>	-0.3 to 6.0	
Low level output current	Per pin PA0 to PA4, PB0 to PB7, PC2 to PC7, PD0 to PD2, PD5, PE0 to PE7, PF0 to PF7, PG0 to PG6, PH0, PH1, PJ0 to PJ7, PK0 to PK7, PL0 to PL7, PM0 to PM7, PN0 to PN2, PP0 to PP7, PR0 to PR7, PT2 to PT7, PU2 to PU7, PV0 to PV3, PW0 to PW7	I <sub>OL</sub>	5	mA
	Per pin PC0, PC1, PD3, PD4, PT0, PT1, PU0, PU1	I <sub>OL4</sub>	25	
	Total of all pins	∑I <sub>OL</sub>	50	
High level output current	Per pin PA0 to PA4, PB0 to PB7, PC0 to PC7, PD0 to PD5, PE0 to PE7, PF0 to PF7, PG0 to PG6, PH0, PH1, PJ0 to PJ7, PK0 to PK7, PL0 to PL7, PM0 to PM7, PN0 to PN2, PP0 to PP7, PR0 to PR7, PT0 to PT7, PU0 to PU7, PV0 to PV3, PW0 to PW7	I <sub>OH</sub>	-5	
	Total of all pins	∑I <sub>OH</sub>	-50	
Power consumption		PD	(Note3)	mW
Soldering temperature		T <sub>SOLDER</sub>	260	°C
Storage temperature		T <sub>STG</sub>	-55 to 125	°C
Operational temperature		T <sub>OPR</sub>	-40 to 105(Note3)	°C
		T <sub>j</sub>	-40 to 125	

Note1: Absolute maximum ratings are limiting values of operating and environmental conditions which should not be exceeded under the worst possible conditions. The equipment manufacturer should design so that no Absolute maximum rating value is exceeded with respect to current, voltage, power consumption, temperature, etc. Exposure to conditions beyond those listed above may cause permanent damage to the device or affect device reliability, which could increase potential risks of personal injury due to IC blow up and/or burning.

Note2: DVDD5 is a generic name for DVDD5A, DVDD5B. Apply the same voltage to DVDD5 and AVDD5

Note3: The power consumption and the maximum temperature of the ambient temperature (T<sub>OPR</sub>) should be used within the range not exceeding the junction temperature (T<sub>j</sub>). The calculation formula for operating temperature (T<sub>OPR</sub> (T<sub>a</sub>)) is shown below.

$$T_{OPR}(Max) = T_j(Max) - PD(Max) \times \theta_{ja}$$

PD: Power consumption (mW) → Maximum allowable power (PD(Max)) (mW)

$\theta_{ja}$ : Thermal resistance of the package (°C/W)

Please refer to Table 7.2.

The calculation formula for maximum allowable power (PD(Max)) is shown below.

$$PD(Max) = V_{DD} \times I_{DD}(Max) + \sum(I_{OL} \times V_{OL}) + \sum((V_{DD} - V_{OH}) \times I_{OH})$$

$I_{OL}$ : "Low" level output current

$I_{OH}$ : "High" level output current

$V_{OL}$ : "Low" level output voltage

$V_{OH}$ : "High" level output voltage

$I_{DD}(Max)$ : Consumption current of the MCU excluding I/O.

Please refer to "7.3. DC Electrical Characteristics (2/2)".

**Table 7.2 Thermal resistance of IC package and maximum allowable power table**

Package	Substrate	Thermal resistance $\theta_{ja}$ (°C/W)	Maximum allowable power (PD(Max)) (mW)	
			$T_{OPR}=+85^{\circ}\text{C}$	$T_{OPR}=+105^{\circ}\text{C}$
P-LQFP144-2020-0.50-002	2 layer board	52	768	384
	4 layer board	47	849	425
P-LQFP128-1420-0.50-001	2 layer board	48	833	417
	4 layer board	43	935	467
P-LQFP100-1414-0.50-002	2 layer board	56	714	357
	4 layer board	50	806	403
P-LQFP80-1414-0.65-001	2 layer board	56	714	357
	4 layer board	49	810	405
P-LQFP80-1212-0.50-003	2 layer board	61	661	331
	4 layer board	53	759	380
P-LQFP64-1010-0.50-003	2 layer board	59	677	338
	4 layer board	50	808	404
P-QFP100-1420-0.65-001	2 layer board	43	941	471
	4 layer board	40	1013	506
P-LQFP64-1212-0.65-001	2 layer board	61	661	331
	4 layer board	53	759	380

## 7.2. DC Electrical Characteristics (1/2)

$$4.5V \leq DVDD5=AVDD5 \leq 5.5V$$

$$DVSS = AVSS=0V$$

$$T_a = -40 \text{ to } 105 \text{ } ^\circ\text{C}$$

Parameter	Symbol	Conditions	Min	Typ.	Max	Unit
Power supply voltage	DVDD5A, DVDD5B, AVDD5	fosc = 6 to 12MHz fsys = 1 to 160MHz fsysm=1 to 80MHz	4.5	-	5.5	V
Low level Input voltage	PA0 to PA4, PB0 to PB7, PC2 to PC7, PD0 to PD2, PD5, PE0 to PE7, PF0 to PF7, PG0, PG1, PG3 to PG6, PH0, PH1, PN0 to PN2, PP0 to PP7, PR0 to PR7, PT2 to PT7, PU2 to PU7, PV0 to PV3, PW0 to PW7, MODE, RESET_N, BOOT_N	-	-0.3	-	DVDD5×0.25	V
	PJ0 to PJ7, PK0 to PK7, PL0 to PL7, PM0 to PM7	-	-	-	AVDD5×0.25	
	PC0, PC1, PD3, PD4, PT0, PT1, PU0, PU1	-	-	-	DVDD5×0.3	
High level Input voltage	PA0 to PA4, PB0 to PB7, PC2 to PC7, PD0 to PD2, PD5, PE0 to PE7, PF0 to PF7, PG0, PG1, PG3 to PG6, PH0, PH1, PN0 to PN2, PP0 to PP7, PR0 to PR7, PT2 to PT7, PU2 to PU7, PV0 to PV3, PW0 to PW7, MODE, RESET_N, BOOT_N	-	DVDD5×0.75	-	DVDD5+0.3	V
	PJ0 to PJ7, PK0 to PK7, PL0 to PL7, PM0 to PM7	-	AVDD5×0.75	-	AVDD5+0.3	
	PC0, PC1, PD3, PD4, PT0, PT1, PU0, PU1	-	DVDD5×0.7	-	DVDD5+0.3	
Low level output voltage	PA0 to PA4, PB0 to PB7, PC2 to PC7, PD0 to PD2, PD5, PE0 to PE7, PF0 to PF7, PG0 to PG6, PN0 to PN2, PP0 to PP7, PR0 to PR7, PT2 to PT7, PU2 to PU7, PV0 to PV3, PW0 to PW7	DVDD5=4.5V I <sub>OL</sub> =1.6mA	-	-	0.4	V
	PJ0 to PJ7, PK0 to PK7, PL0 to PL7, PM0 to PM7	AVDD5=4.5V I <sub>OL</sub> =1.6mA	-	-	0.4	
	PC0, PC1, PD3, PD4, PT0, PT1, PU0, PU1	DVDD5=4.5V I <sub>OL</sub> =8mA	-	-	1.0	
High level output voltage	PA0 to PA4, PB0 to PB7, PC0 to PC7, PD0 to PD5, PE0 to PE7, PF0 to PF7, PG0 to PG6, PN0 to PN2, PP0 to PP7, PR0 to PR7, PT0 to PT7, PU0 to PU7, PV0 to PV3, PW0 to PW7	DVDD5=4.5V I <sub>OH</sub> = -1.6mA	DVDD5-0.4	-	-	V
	PJ0 to PJ7, PK0 to PK7, PL0 to PL7, PM0 to PM7	AVDD5=4.5V I <sub>OH</sub> = -1.6mA	AVDD5-0.4	-	-	

Note1: DVDD5 is a generic name for DVDD5A and DVDD5B. DVSS is a generic name for DVSSA, DVSSB and DVSSC.

Note2: Typ. value is in T<sub>a</sub> = 25 °C, DVDD5 = AVDD5 = 5.0V, unless otherwise noted.

Note3: Apply same voltage line to DVDD5 and AVDD5.

4.5V ≤ DVDD5=AVDD5 ≤ 5.5V  
DVSS=AVSS=0V  
Ta= -40 to 105°C

Parameter		Symbol	Conditions	Min	Typ.	Max	Unit
Input leak current		I <sub>LI</sub>	0.0V ≤ VIN ≤ DVDD5 0.0V ≤ VIN ≤ AVDD5	-5	±0.05	5	μA
Output leak current		I <sub>LO</sub>	0.2 ≤ VIN ≤ DVDD5-0.2 0.2 ≤ VIN ≤ AVDD5-0.2	-10	±0.05	10	
Schmitt trigger Input width		V <sub>TH</sub>	DVDD5=AVDD5=5V	-	1.0	-	V
Reset pull-up resistor		R <sub>RST</sub>	-	25	30	100	kΩ
Programmable pull-up/pull-down resistor		P <sub>KH</sub>	Pull-up	25	30	100	
			Pull-down	25	50	100	
Pin capacity (except power supply pin)		C <sub>IO</sub>	f <sub>c</sub> =1MHz	-	-	10	pF
Low level output current	Per pin (except the following)	I <sub>OL</sub>	DVDD5=AVDD5=5V	-	-	2 (Note4)	mA
	Per pin PC0, PC1, PD3, PD4, PT0, PT1, PU0, PU1	I <sub>OL4</sub>	DVDD5=5V	-	-	12 (Note4)	
	Total of PC0 to PC7, PB0 to PB7, PT0 to PT7, PP0, PD0 to PD5, PG0 to PG6, PE0 to PE7	∑I <sub>OL1</sub>	DVDD5=5V	-	-	35 (Note5)	
	Total of PP1 to PP7, PR0 to PR7, PF0 to PF7, PU0 to PU7, PN0 to PN2, PV0 to PV3, PW0 to PW7, PA0 to PA4	∑I <sub>OL2</sub>	DVDD5=5V	-	-	35 (Note5)	
	Total of PJ0 to PJ7, PK0 to PK7, PL0 to PL7, PM0 to PM7	∑I <sub>OL3</sub>	AVDD5=5V	-	-	35 (Note5)	
High level output current	Per pin	I <sub>OH</sub>	DVDD5=AVDD5=5V	-2 (Note4)	-	-	mA
	Total of PC0 to PC7, PB0 to PB7, PT0 to PT7, PP0, PD0 to PD5, PG0 to PG6, PE0 to PE7	∑I <sub>OH1</sub>	DVDD5=5V	-35 (Note5)	-	-	
	Total of PP1 to PP7, PR0 to PR7, PF0 to PF7, PU0 to PU7, PN0 to PN2, PV0 to PV3, PW0 to PW7, PA0 to PA4	∑I <sub>OH2</sub>	DVDD5=5V	-35 (Note5)	-	-	
	Total of PJ0 to PJ7, PK0 to PK7, PL0 to PL7, PM0 to PM7	∑I <sub>OH3</sub>	AVDD5=5V	-35 (Note5)	-	-	

Note1: DVDD5 is a generic name for DVDD5A and DVDD5B. DVSS is a generic name for DVSSA, DVSSB, and DVSSC.

Note2: Typ. value is in Ta = 25 °C, DVDD5 = AVDD5 = 5.0V, unless otherwise noted.

Note3: Apply same voltage line to DVDD5 and AVDD5.

Note4: The sum of the terminal currents in each group should not exceed the total current of each group.

Note5: The sum of each group current should not exceed the absolute maximum rating.

2.7V ≤ DVDD5=AVDD5 < 4.5V  
DVSS=AVSS=0V  
Ta=-40 to 105 °C

Parameter	Symbol	Conditions	Min	Typ.	Max	Unit	
Power supply voltage	DVDD5A, DVDD5B, AVDD5	VDD fosc = 6 to 12MHz fsys = 1 to 160MHz fsysm=1 to 80MHz	2.7	-	4.5	V	
Low level Input voltage	PA0 to PA4, PB0 to PB7, PC2 to PC7, PD0 to PD2, PD5, PE0 to PE7, PF0 to PF7, PG0, PG1, PG3 to PG6, PH0, PH1, PN0 to PN2, PP0 to PP7, PR0 to PR7, PT2 to PT7, PU2 to PU7, PV0 to PV3, PW0 to PW7, MODE, RESET_N, BOOT_N	V <sub>IL1</sub> V <sub>IL2</sub>	-	-0.3	DVDD5×0.25	V	
	PJ0 to PJ7, PK0 to PK7, PL0 to PL7, PM0 to PM7	V <sub>IL3</sub>	-	-	AVDD5×0.25		
	PC0, PC1, PD3, PD4, PT0, PT1, PU0, PU1	V <sub>IL4</sub>	-	-	DVDD5×0.3		
High level Input voltage	PA0 to PA4, PB0 to PB7, PC2 to PC7, PD0 to PD2, PD5, PE0 to PE7, PF0 to PF7, PG0, PG1, PG3 to PG6, PH0, PH1, PN0 to PN2, PP0 to PP7, PR0 to PR7, PT2 to PT7, PU2 to PU7, PV0 to PV3, PW0 to PW7, MODE, RESET_N, BOOT_N	V <sub>IH1</sub> V <sub>IH2</sub>	-	DVDD5×0.75	DVDD5+0.3	V	
	PJ0 to PJ7, PK0 to PK7, PL0 to PL7, PM0 to PM7	V <sub>IH3</sub>	-	AVDD5×0.75	AVDD5+0.3		
	PC0, PC1, PD3, PD4, PT0, PT1, PU0, PU1	V <sub>IH4</sub>	-	DVDD5×0.7	DVDD5+0.3		
Low level output voltage	PA0 to PA4, PB0 to PB7, PC2 to PC7, PD0 to PD2, PD5, PE0 to PE7, PF0 to PF7, PG0 to PG6, PN0 to PN2, PP0 to PP7, PR0 to PR7, PT2 to PT7, PU2 to PU7, PV0 to PV3, PW0 to PW7	V <sub>OL1</sub> V <sub>OL2</sub>	DVDD5=2.7V I <sub>OL</sub> =0.8mA	-	-	0.4	V
	PJ0 to PJ7, PK0 to PK7, PL0 to PL7, PM0 to PM7	V <sub>OL3</sub>	AVDD5=2.7V I <sub>OL</sub> =0.8mA	-	-	0.4	
	PC0, PC1, PD3, PD4, PT0, PT1, PU0, PU1	V <sub>OL4</sub>	DVDD5=2.7V I <sub>OL</sub> =4mA	-	-	1.0	
High level output voltage	PA0 to PA4, PB0 to PB7, PC0 to PC7, PD0 to PD5, PE0 to PE7, PF0 to PF7, PG0 to PG6, PN0 to PN2, PP0 to PP7, PR0 to PR7, PT0 to PT7, PU0 to PU7, PV0 to PV3, PW0 to PW7	V <sub>OH1</sub> V <sub>OH2</sub>	DVDD5=2.7V I <sub>OH</sub> =-0.8mA	DVDD5-0.4	-	-	V
	PJ0 to PJ7, PK0 to PK7, PL0 to PL7, PM0 to PM7	V <sub>OH3</sub>	AVDD5=2.7V I <sub>OH</sub> =-0.8mA	AVDD5-0.4	-	-	

Note1: DVDD5 is a generic name for DVDD5A and DVDD5B. DVSS is a generic name for DVSSA, DVSSB and DVSSC.

Note2: Typ. value is in Ta = 25 °C, DVDD5 = AVDD5 = 3.0V, unless otherwise noted.

Note3: Apply same voltage line to DVDD5 and AVDD5.

2.7V ≤ DVDD5=AVDD5 < 4.5V

DVSS=AVSS=0V

Ta = -40 to 105°C

Parameter	Symbol	Conditions	Min	Typ.	Max	Unit	
Input leak current	I <sub>LI</sub>	0.0V ≤ VIN ≤ DVDD5 0.0V ≤ VIN ≤ AVDD5	-5	±0.05	5	μA	
Output leak current	I <sub>LO</sub>	0.2 ≤ VIN ≤ DVDD5-0.2 0.2 ≤ VIN ≤ AVDD5-0.2	-10	±0.05	10		
Schmitt trigger Input width	V <sub>TH</sub>	DVDD5=AVDD5=3V	-	0.5	-	V	
Reset pull-up resistor	R <sub>RST</sub>	-	25	100	200	kΩ	
Programmable pull-up/pull-down resistor	P <sub>KH</sub>	Pull-up	25	100	200		
		Pull-down	25	100	200		
Pin capacity (except power supply pin)	C <sub>IO</sub>	fc = 1MHz	-	-	10	pF	
Low level output current	Per pin (except the following)	I <sub>OL</sub>	DVDD5=AVDD5=3V	-	-	1 (Note4)	mA
	Per pin PC0, PC1, PD3, PD4, PT0, PT1, PU0, PU1	I <sub>OL4</sub>	DVDD5=3V	-	-	6 (Note4)	
	Total of PC0 to PC7, PB0 to PB7, PT0 to PT7, PP0, PD0 to PD5, PG0 to PG6, PE0 to PE7	∑I <sub>OL1</sub>	DVDD5=3V	-	-	18 (Note5)	
	Total of PP1 to PP7, PR0 to PR7, PF0 to PF7, PU0 to PU7, PN0 to PN2, PV0 to PV3, PW0 to PW7, PA0 to PA4	∑I <sub>OL2</sub>	DVDD5=3V	-	-	18 (Note5)	
	Total of PJ0 to PJ7, PK0 to PK7, PL0 to PL7, PM0 to PM7	∑I <sub>OL3</sub>	AVDD5=3V	-	-	17 (Note5)	
High level output current	Per pin	I <sub>OH</sub>	DVDD5=AVDD5=3V	-1 (Note4)	-	-	mA
	Total of PC0 to PC7, PB0 to PB7, PT0 to PT7, PP0, PD0 to PD5, PG0 to PG6, PE0 to PE7	∑I <sub>OH1</sub>	DVDD5=3V	-18 (Note5)	-	-	
	Total of PP1 to PP7, PR0 to PR7, PF0 to PF7, PU0 to PU7, PN0 to PN2, PV0 to PV3, PW0 to PW7, PA0 to PA4	∑I <sub>OH2</sub>	DVDD5=3V	-18 (Note5)	-	-	
	Total of PJ0 to PJ7, PK0 to PK7, PL0 to PL7, PM0 to PM7	∑I <sub>OH3</sub>	AVDD5=3V	-17 (Note5)	-	-	

Note1: DVDD5 is a generic name for DVDD5A and DVDD5B. DVSS is a generic name for DVSSA, DVSSB, and DVSSC.

Note2: Typ. value is in Ta = 25 °C, DVDD5 = AVDD5 = 3.0V, unless otherwise noted.

Note3: Apply same voltage line to DVDD5 and AVDD5.

Note4: The sum of the terminal currents in each group should not exceed the total current of each group.

Note5: The sum of each group current should not exceed the absolute maximum rating.

## 7.3. DC Electrical Characteristics (2/2)

Ta = -40 to 105°C

Parameter	Symbol	Conditions		Min	Typ.	Max	Unit	
		Supply voltage	High-speed oscillator					Operating condition
NORMAL	I <sub>DD</sub>	DVDD5= AVDD5= 5.5V	Refer to Table 7.3 and Table 7.4 for detail		-	45	72	mA
IDLE			Oscillation	Refer to Table 7.3 and Table 7.4 for detail	-	7	30	
STOP1			Stop		-	0.8	20	mA

Note1: DVDD5 is a generic name for DVDD5A and DVDD5B. DVSS is a generic name for DVSSA, DVSSB, and DVSSC.

Note2: Typ. value is in Ta = 25 °C, DVDD5 = AVDD5 = 5.0V, unless otherwise noted.

Note3: Apply same voltage to DVDD5 and AVDD5.

Note4: Input pin is fixed level, Output pin is open.

**Table 7.3 I<sub>DD</sub> measurement condition (Pin setting, Oscillation Circuit)**

		NORMAL	IDLE	STOP1
Pin setting	DVDD5= AVDD5=	5.0V(Typ.), 5.5V(max)		
	X1, X2	Oscillator connected (10MHz)		
	Input pins	Fixed		
	Output pins	Open		
Operation condition (Oscillation Circuit)	System clock (f <sub>sys</sub> /f <sub>sysm</sub> )	160MHz/80MHz		Stop
	External High speed frequency oscillator (EHOSC)	Oscillation		Stop
	Internal High speed frequency oscillator (IHOSC1)	Stop		
	PLL	run (16 times)		Stop



**Table 7.4 I<sub>DD</sub> measurement condition (CPU, Peripheral)**

Peripheral	unit number	NORMAL	IDLE	STOP1
CPU	1	Run (DhystoneVer.2.1)		Stop
DMAC	1	(Request from UARTch0, ch2: TX source: RAM)		Stop
ADC	3	Run (1.0μs, Repeated conversion)		Stop
OPAMP	3	All ch: Run		Stop
T32A	6	All ch: Run		Stop
A-PMD	3	All ch: Run		Stop
A-ENC32	3	Run		Stop
A-VE+	1	Run		Stop
SIWDT	1	Run		Stop
UART	4	2ch's: Transmission(5Mbps)		Stop
I <sup>2</sup> C	2		Stop	
TSPI	2	2ch's: Transmission(10MHz)		Stop
CAN	1		Stop	
CRC	1		Stop	
RAMP	2	Run		Stop
LVD	1		Stop	
OFD	1	Run		Stop
Debug	1		Stop	
NBDIF	1		Stop	
Input/Output Port	-	Run		Stop

f<sub>sys</sub>=160MHz  
T<sub>a</sub>= -40 to 105°C

Item	Symbol	Condition	Min	Typ.	Max	Unit
Power consumption (ADC, OPAMP run)	I <sub>AVDD</sub>	AVDD5=5.0V, AVSS=0V	-	18	22	mA

## 7.4. 12-bit AD Converter Characteristics

DVDD5=AVDD5=4.5V to 5.5V

DVSS=AVSS=0V

Ta= -40 to 105°C

Parameter	Symbol	Conditions	Min	Typ.	Max	Unit
Analog reference voltage (+)	VREFH	-	4.5	-	AVDD5	V
Analog input voltage	V <sub>AIN</sub>	VREFL=AVSS	VREFL	-	VREFH	V
Integral nonlinear error (INL)	-	4.5V ≤ AVDD5=VREFH ≤ 5.5V AVSS=VREFL=0V AIN load resistor = 600 Ω AIN load capacity ≥ 0.1 μF Conversion time = 1.0 μs	-3	-	3	LSB
Differential nonlinear error (DNL)			-2	-	2	
Zero-scale error			-4	-	5	
Full-scale error			-5	-	4	
Total errors			-7	-	5	
Stable time	t <sub>sta</sub>	After set "1" to [ADxMOD0]<DACON>.	3	-	-	μs
Conversion time	t <sub>conv</sub>	4.5V ≤ AVDD5 ≤ 5.5V	1.0	-	-	

Note1: DVDD5 is a generic name for DVDD5A and DVDD5B. DVSS is a generic name for DVSSA, DVSSB, and DVSSC.

Note2: 1LSB = (VREFH - VREFL) / 4096 [V]

Note3: The characteristic when single AD converter operates.

Not Recommended for New Design

## 7.5. Operational Amplifier (OPAMP) Characteristics

DVDD5=AVDD5= 4.5V to 5.5V  
DVSS=AVSS= 0V, Ta= -40 to 105°C

Parameter	Symbol	Conditions	Min	Typ.	Max	Unit
Gain (factor) (Note2)	$V_{GAIN}$	-	2.0	-	15	×
Amp input voltage range (Common mode)	$V_{AMPINP}$ $V_{AMPINN}$	VINP/VINN pin: AVSS-0.3 to AVDD5+0.3	AVSS-0.3	-	$(AVDD5 \times 0.99) / V_{GAIN}$	V
Amp input voltage range (Differential)	$V_{AMPINP}$ $V_{AMPINN}$	$V_{GAIN}=2.0$	0	-	$AVDD5 / (\text{Min } V_{GAIN})$	
Amp output voltage	$V_{VOLT}$	-	$AVDD5 \times 0.01$	-	$AVDD5 \times 0.99$	
Differential step offset voltage	$V_{OFF}$	-	-5	-	+5	mV
Gain error range	-	-	-3	-	+3	%
Through rate	$V_{thr}$	10pF	6	10	-	V/ $\mu$ s
AMPEN→Output stable time	$T_{sta1}$	Upper limit: +5mV Lower limit: -5mV $C_L=10\text{pF}$	-	-	2	$\mu$ s

Note1: The characteristic when the amplifier unit operates only.

Note2: Gain can selected 2.5, 3, 3.5, 4, 4.5, 6, 7, 8, 10, and 12

Note3: DVDD5 is a generic name for DVDD5A and DVDD5B. DVSS is a generic name for DVSSA, DVSSB, and DVSSC.

Note4: Typ. value is in Ta = 25 °C, DVDD5 = AVDD5 = 5.0V, unless otherwise noted.

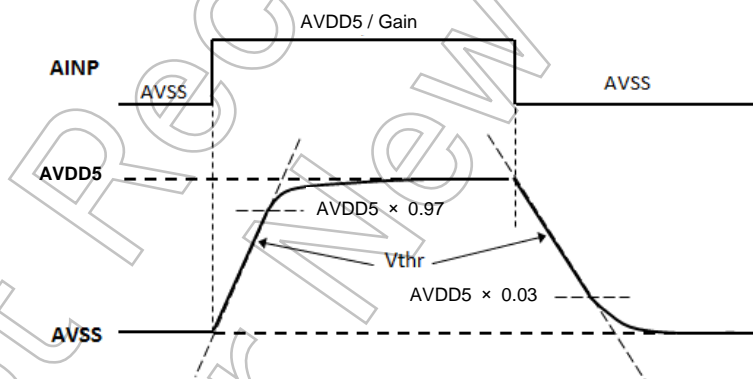


Figure 7.1 Through rate

## 7.6. Characteristics of Internal processing at RESET

DVSSA=DVSSB=DVSSC=AVSS=0V

Ta= -40 to 105°C

Parameter	Symbol	Conditions	Min	Typ.	Max	Unit
Internal Initialized time	t <sub>INIT</sub>	Power On	-	-	2.15	ms
Internal processing time for Reset	t <sub>IRST</sub>	-	0.13	-	0.2	
Waiting time till CPU running	t <sub>CPUWT</sub>	Cold Reset	12	-	15	μs
		Warm Reset	70	-	95	
Power-on rising gradient	V <sub>PON</sub>	-	0.01	-	100	mV/μs

## 7.7. Characteristics of Power on Reset

DVSSA=DVSSB=DVSSC=AVSS=0V

Ta= -40 to 105°C

Parameter	Symbol	Conditions	Min	Typ.	Max	Unit
Detection voltage	V <sub>PREL</sub>	Power increases	2.25	2.4	2.55	V
	V <sub>PDET</sub>	Power decreases	2.2	2.35	2.5	
Detection pulse width	T <sub>PDET</sub>	-	200	-	-	μs

## 7.8. Characteristics of Voltage Detection Circuit

DVDD5=AVDD5=2.7V to 5.5V

DVSS=AVSS=0V

Ta= -40 to 105°C

Parameter	Symbol	Conditions	Min	Typ.	Max	Unit
Detection voltage	V <sub>LVL0</sub>	Power increases	2.55	2.65	2.75	V
		Power decreases	2.5	2.6	2.7	
	V <sub>LVL1</sub>	Power increases	2.65	2.75	2.85	V
		Power decreases	2.6	2.7	2.8	
	V <sub>LVL2</sub>	Power increases	2.75	2.85	2.95	V
		Power decreases	2.7	2.8	2.9	
	V <sub>LVL3</sub>	Power increases	2.85	2.95	3.05	V
		Power decreases	2.8	2.9	3.0	
	V <sub>LVL4</sub>	Power increases	3.95	4.05	4.15	V
		Power decreases	3.9	4.0	4.1	
	V <sub>LVL5</sub>	Power increases	4.15	4.25	4.35	V
		Power decreases	4.1	4.2	4.3	
	V <sub>LVL6</sub>	Power increases	4.35	4.45	4.55	V
		Power decreases	4.3	4.4	4.5	
V <sub>LVL7</sub>	Power increases	4.55	4.65	4.75	V	
	Power decreases	4.5	4.6	4.7		
Detection response time	t <sub>VDDT1</sub>	Power decreases	-	50	200	μs
Detection Release time	t <sub>VDDT2</sub>	Power increases	-	250	-	
Setup time	t <sub>LV DEN</sub>	-	-	-	100	
Detection Minimum pulse width	t <sub>LVDPW</sub>	-	200	-	-	

Note: DVDD5 is a generic name for DVDD5A and DVDD5B. DVSS is a generic name for DVSSA, DVSSB, and DVSSC.

## 7.9. AC Electrical Characteristics

### 7.9.1. Serial Peripheral Interface (TSPI)

#### 7.9.1.1. AC Measurement Conditions

The AC characteristics are the result under the measurement conditions below:

- DVDD5=AVDD5= 2.7 to 5.5 V
- Ta = -40 to 105°C
- Output level: High =  $0.8 \times DVDD5$ , Low =  $0.2 \times DVDD5$
- Input level: High =  $0.75 \times DVDD5$ , Low =  $0.25 \times DVDD5$
- Load capacity: CL = 30pF

Note: DVDD5 is a generic name for DVDD5A, and DVDD5B.

#### 7.9.1.2. AC Electrical Characteristics

"T" indicates an operation clock cycle of the TSPI. This operation clock has the same cycle of the system clock (fsysm). This cycle depends on the clock gear setting.

The number of cycles can be 1 to 16. It is specified with TSPIxSCK. The value of "k1" is specified with  $[TSPIxFMTR0]<CSSCKDL[3:0]>$ ; the value of "k2" is specified with  $[TSPIxFMTR0]<SCKCSDL[3:0]>$ . These values are 1 to 16.

Not Recommended  
for New Design

## (1) Master in SPI mode

4.5V ≤ DVDD5=AVDD5 ≤ 5.5V

Parameter	Symbol	Equation		fsysm=80MHz k1=k2=1		Unit
		Min	Max	Min	Max	
TSPIxSCK output frequency	f <sub>CYC</sub>	-	10	-	10	MHz
TSPIxSCK output cycle	t <sub>CYC</sub>	100	-	100	-	ns
TSPIxSCK low level output pulse width	t <sub>WL</sub>	(t <sub>CYC</sub> /2) - 13	-	37	-	
TSPIxSCK high level output pulse width	t <sub>WH</sub>	(t <sub>CYC</sub> /2) - 13	-	37	-	
TSPIxCSn output ← TSPIxSCK rise/fall time	t <sub>CSU</sub>	(t <sub>CYC</sub> × k1) - 20	(t <sub>CYC</sub> × k1) + 9	80	109	
TSPIxSCK rise/fall → TSPIxCSn hold time	t <sub>CHD</sub>	(t <sub>CYC</sub> × (k2 + 0.5)) - 20	-	130	-	
TSPIxRXD Input ← TSPIxSCK rise/fall time	t <sub>DSU</sub>	35 - 2 × T (Note)	-	10	-	
TSPIxSCK rise/fall → TSPIxRXD hold time	t <sub>DHD</sub>	2 × T - 10.5 (Note)	-	14.5	-	
TSPIxSCK rise/fall → TSPIxTXD delay time	t <sub>ODLY1</sub>	-18	-	-18	-	
TSPIxSCK rise/fall → TSPIxTXD delay time	t <sub>ODLY2</sub>	-	16	-	16	
TSPIxCSn fall → TSPIxTXD delay time	t <sub>ODLY3</sub>	(t <sub>CYC</sub> × (k1 - 0.5)) - 25	(t <sub>CYC</sub> × (k1 - 0.5)) + 9	25	59	

Note: In this case [TSPIxCR2] < RXDLY ≥ 1

2.7V ≤ DVDD5=AVDD5 < 4.5V

Parameter	Symbol	Equation		fsysm=80MHz k1=k2=1		Unit
		Min	Max	Min	Max	
TSPIxSCK output frequency	f <sub>CYC</sub>	-	10	-	10	MHz
TSPIxSCK output cycle	t <sub>CYC</sub>	100	-	100	-	ns
TSPIxSCK low level output pulse width	t <sub>WL</sub>	(t <sub>CYC</sub> /2) - 16	-	9	-	
TSPIxSCK high level output pulse width	t <sub>WH</sub>	(t <sub>CYC</sub> /2) - 16	-	9	-	
TSPIxCSn output ← TSPIxSCK rise/fall time	t <sub>CSU</sub>	(t <sub>CYC</sub> × k1) - 20	(t <sub>CYC</sub> × k1) + 11	80	111	
TSPIxSCK rise/fall → TSPIxCSn hold time	t <sub>CHD</sub>	(t <sub>CYC</sub> × (k2 + 0.5)) - 20	-	130	-	
TSPIxRXD Input ← TSPIxSCK rise/fall time	t <sub>DSU</sub>	45 - 2 × T (Note)	-	20	-	
TSPIxSCK rise/fall → TSPIxRXD hold time	t <sub>DHD</sub>	2 × T - 10.5 (Note)	-	14.5	-	
TSPIxSCK rise/fall → TSPIxTXD delay time	t <sub>ODLY1</sub>	-18	-	-18	-	
TSPIxSCK rise/fall → TSPIxTXD delay time	t <sub>ODLY2</sub>	-	16	-	16	
TSPIxCSn fall → TSPIxTXD delay time	t <sub>ODLY3</sub>	(t <sub>CYC</sub> × (k1 - 0.5)) - 25	(t <sub>CYC</sub> × (k1 - 0.5)) + 13	25	63	

Note: In this case [TSPIxCR2] < RXDLY ≥ 1

## (2) Slave in SPI mode

4.5V ≤ DVDD5=AVDD5 ≤ 5.5V

Parameter	Symbol	Equation		fsysm=80MHz k1=1		Unit
		Min	Max	Min	Max	
TSPIxSCK Input frequency	f <sub>CYC</sub>	-	10	-	10	MHz
TSPIxSCK Input cycle	t <sub>CYC</sub>	100	-	100	-	ns
TSPIxSCK low level Input pulse width	t <sub>WL</sub>	37	-	37	-	
TSPIxSCK high level Input pulse width	t <sub>WH</sub>	37	-	37	-	
TSPIxCSIN Input ← TSPIxSCK rise/fall time	t <sub>CSU1</sub>	$(t_{CYC} \times (k1 + 0.5)) + 20$	-	170	-	
TSPIxCSIN Input ← TSPIxSCK rise/fall time	t <sub>CSU2</sub>	$(t_{CYC} \times k1) - 20$	-	80	-	
TSPIxSCK rise/fall → TSPIxCSIN hold time	t <sub>CHD</sub>	7	-	7	-	
TSPIxRXD Input ← TSPIxSCK rise/fall time	t <sub>DSU</sub>	7	-	7	-	
TSPIxSCK rise/fall → TSPIxRXD hold time	t <sub>DHD</sub>	10	-	10	-	
TSPIxSCK rise/fall → TSPIxTXD delay time	t <sub>ODLY1</sub>	0	-	0	-	
TSPIxSCK rise/fall → TSPIxTXD delay time	t <sub>ODLY2</sub>	-	38	-	38	
TSPIxCSIN fall → TSPIxTXD delay time	t <sub>ODLY3</sub>	-	$(t_{CYC} \times (k1 - 0.5)) + 5$	-	55	
TSPIxCSIN high level input pulse width	t <sub>WDIS</sub>	$T \times 2 + 20$	-	45	-	

2.7V ≤ DVDD5=AVDD5 < 4.5V

Parameter	Symbol	Equation		fsysm=80MHz k1=1		Unit
		Min	Max	Min	Max	
TSPIxSCK Input frequency	f <sub>CYC</sub>	-	10	-	10	MHz
TSPIxSCK Input cycle	t <sub>CYC</sub>	100	-	100	-	ns
TSPIxSCK low level Input pulse width	t <sub>WL</sub>	37	-	37	-	
TSPIxSCK high level Input pulse width	t <sub>WH</sub>	37	-	37	-	
TSPIxCSIN Input ← TSPIxSCK rise/fall time	t <sub>CSU1</sub>	$(t_{CYC} \times (k1 + 0.5)) + 20$	-	170	-	
TSPIxCSIN Input ← TSPIxSCK rise/fall time	t <sub>CSU2</sub>	$(t_{CYC} \times k1) - 20$	-	80	-	
TSPIxSCK rise/fall → TSPIxCSIN hold time	t <sub>CHD</sub>	7	-	7	-	
TSPIxRXD Input ← TSPIxSCK rise/fall time	t <sub>DSU</sub>	7	-	7	-	
TSPIxSCK rise/fall → TSPIxRXD hold time	t <sub>DHD</sub>	10	-	10	-	
TSPIxSCK rise/fall → TSPIxTXD delay time	t <sub>ODLY1</sub>	0	-	0	-	
TSPIxSCK rise/fall → TSPIxTXD delay time	t <sub>ODLY2</sub>	-	49	-	49	
TSPIxCSIN fall → TSPIxTXD delay time	t <sub>ODLY3</sub>	-	$(t_{CYC} \times (k1 - 0.5)) + 5$	-	55	
TSPIxCSIN high level input pulse width	t <sub>WDIS</sub>	$T \times 2 + 20$	-	45	-	



### (3) Master in SIO Mode

4.5V ≤ DVDD5=AVDD5 ≤ 5.5V

Parameter	Symbol	Equation		fsysm=80MHz		Unit
		Min	Max	Min	Max	
TSPIxSCK Output Frequency	f <sub>CYC</sub>	-	10	-	10	MHz
TSPIxSCK Output cycle	t <sub>CYC</sub>	100	-	100	-	ns
TSPIxSCK Low level Output pulse width	t <sub>WL</sub>	(t <sub>CYC</sub> /2)-13	-	37	-	
TSPIxSCK High level Output pulse width	t <sub>WH</sub>	(t <sub>CYC</sub> /2)-13	-	37	-	
TSPIxRXD Input ← TSPIxSCK rise/fall time	t <sub>DSU</sub>	35-2×T (Note)	-	10	-	
TSPIxSCK rise/fall → TSPIxRXD hold time	t <sub>DHD</sub>	2×T-10.5 (Note)	-	14.5	-	
TSPIxSCK rise/ fall → TSPIxTXD delay time	t <sub>ODLY1</sub>	-18	-	-18	-	
TSPIxSCK Rise/ fall → TSPIxTXD delay time	t <sub>ODLY2</sub>	-	16	-	16	

Note: In this case [TSPIxCR2]<RXDLY>=1

2.7V ≤ DVDD5=AVDD5 < 4.5V

Parameter	Symbol	Equation		fsysm=80MHz		Unit
		Min	Max	Min	Max	
TSPIxSCK Output Frequency	f <sub>CYC</sub>	-	10	-	10	MHz
TSPIxSCK Output cycle	t <sub>CYC</sub>	100	-	100	-	ns
TSPIxSCK Low level output pulse width	t <sub>WL</sub>	(t <sub>CYC</sub> /2)-16	-	9	-	
TSPIxSCK High level output pulse width	t <sub>WH</sub>	(t <sub>CYC</sub> /2)-16	-	9	-	
TSPIxRXD Input ← TSPIxSCK rise/fall time	t <sub>DSU</sub>	45-2×T (Note)	-	20	-	
TSPIxSCK rise/fall → TSPIxRXD hold time	t <sub>DHD</sub>	2×T-10.5 (Note)	-	14.5	-	
TSPIxSCK rise/fall → TSPIxTXD delay time	t <sub>ODLY1</sub>	-18	-	-18	-	
TSPIxSCK rise/fall → TSPIxTXD delay time	t <sub>ODLY2</sub>	-	16	-	16	

Note: In this case [TSPIxCR2]<RXDLY>=1

## (4) Slave in SIO mode

4.5V ≤ DVDD5=AVDD5 ≤ 5.5V

Parameter	Symbol	Equation		fsysm=80MHz		Unit
		Min	Max	Min	Max	
TSPIxSCK Input Frequency	f <sub>CYC</sub>	-	10	-	10	MHz
TSPIxSCK Input Cycle	t <sub>CYC</sub>	100	-	100	-	ns
TSPIxSCK Low level Input Pulse Width	t <sub>WL</sub>	37	-	37	-	
TSPIxSCK High level Input Pulse Width	t <sub>WH</sub>	37	-	37	-	
TSPIxSCK rise/fall → TSPIxCSIN hold time	t <sub>CHD</sub>	7	-	7	-	
TSPIxRXD Input ← SPIxSCK rise/fall time	t <sub>DSU</sub>	7	-	7	-	
TSPIxSCK rise/fall → TSPIxRXD hold time	t <sub>DHD</sub>	10	-	10	-	
TSPIxSCK rise/fall → TSPIxTXD delay time	t <sub>ODLY1</sub>	0	-	0	-	
TSPIxSCK rise/fall → TSPIxTXD delay time	t <sub>ODLY2</sub>	-	38	-	38	

2.7V ≤ DVDD5=AVDD5 < 4.5V

Parameter	Symbol	Equation		fsysm=80MHz		Unit
		Min	Max	Min	Max	
TSPIxSCK Input Frequency	f <sub>CYC</sub>	-	10	-	10	MHz
TSPIxSCK Input Cycle	t <sub>CYC</sub>	100	-	100	-	ns
TSPIxSCK Low level Input Pulse Width	t <sub>WL</sub>	37	-	37	-	
TSPIxSCK High level Input Pulse Width	t <sub>WH</sub>	37	-	37	-	
TSPIxSCK rise/fall → TSPIxCSIN hold time	t <sub>CHD</sub>	7	-	7	-	
TSPIxRXD Input ← SPIxSCK rise/fall time	t <sub>DSU</sub>	7	-	7	-	
TSPIxSCK rise/fall → TSPIxRXD hold time	t <sub>DHD</sub>	10	-	10	-	
TSPIxSCK rise/fall → TSPIxTXD delay time	t <sub>ODLY1</sub>	0	-	0	-	
TSPIxSCK rise/fall → TSPIxTXD delay time	t <sub>ODLY2</sub>	-	38	-	38	

## (1) 1<sup>st</sup> clock edge sampling (Master)

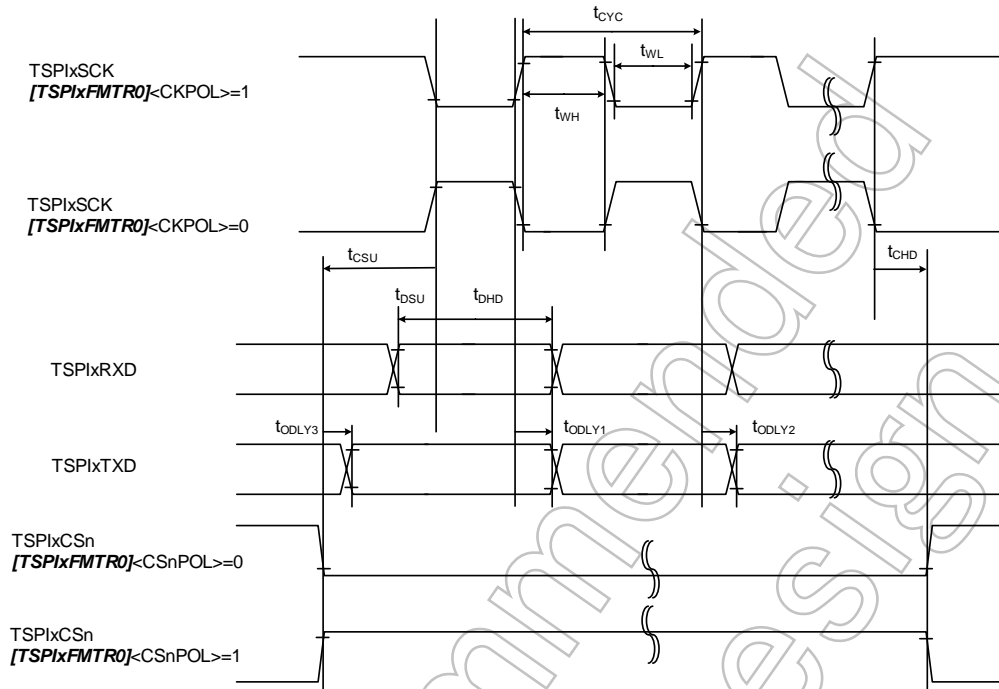


Figure 7.2 1<sup>st</sup> clock edge sampling (Master)

## (2) 2<sup>nd</sup> clock edge sampling (Master)

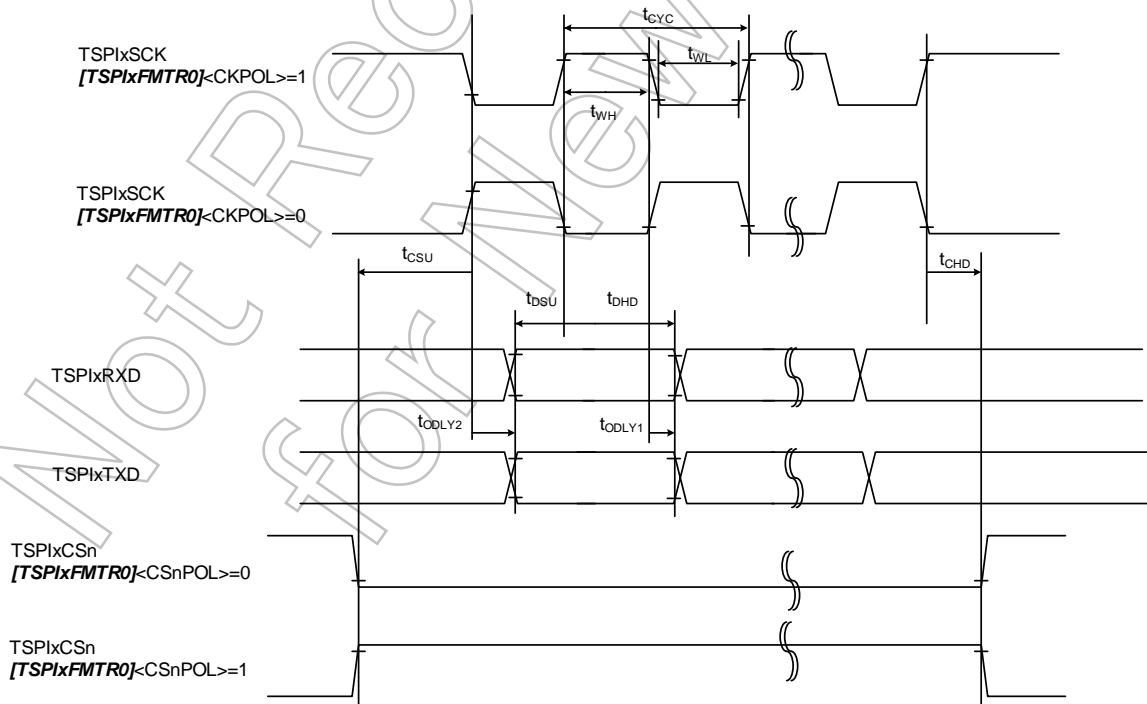


Figure 7.3 2<sup>nd</sup> clock edge sampling (Master)

### (3) 2<sup>nd</sup> clock edge sampling (slave)

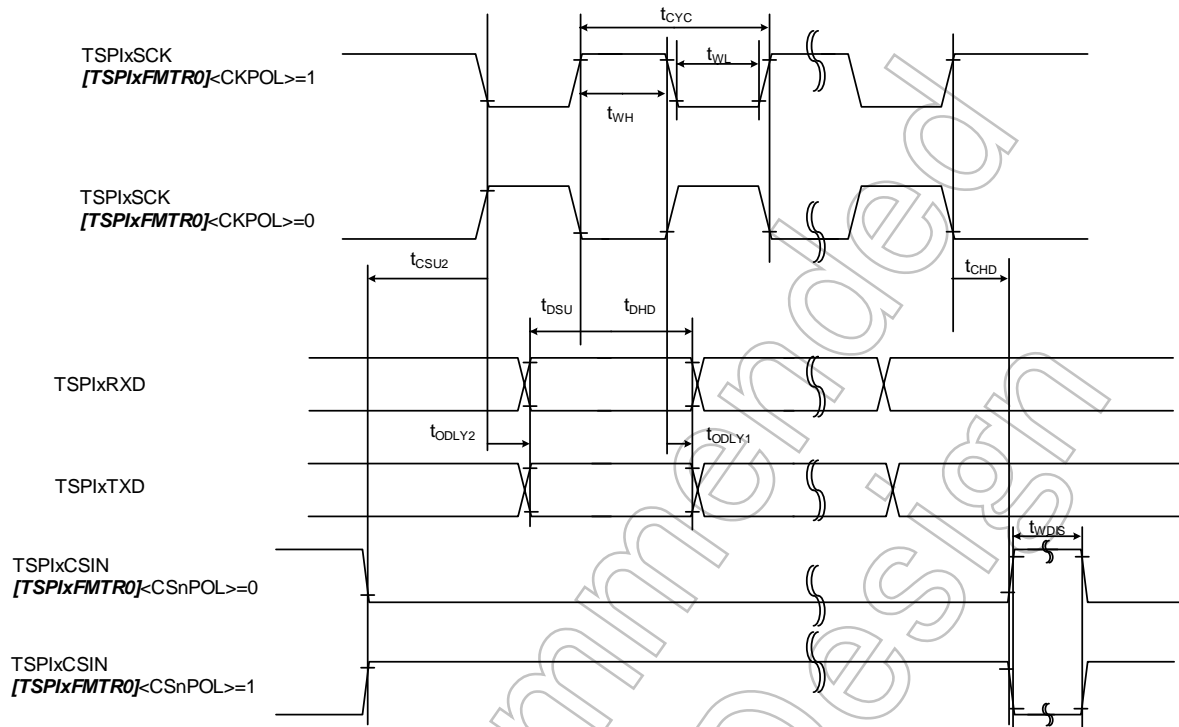


Figure 7.4 2<sup>nd</sup> clock edge sampling (Slave)

Not Recommended for New Designs

## 7.9.2. I<sup>2</sup>C Interface (I<sup>2</sup>C)

### 7.9.2.1. AC Measurement Conditions

The AC characteristics are the result of the measurement conditions below:

- DVDD5=AVDD5= 2.7 to 5.5 V
- Ta = -40 to 105°C
- Output level: Low = 0.4V
- Input level: High = 0.7 × DVDD5, Low = 0.3 × DVDD5
- Load capacity: CL = 30pF

Note: DVDD5 is a generic name for DVDD5A, and DVDD5B.

### 7.9.2.2. AC Electrical Characteristics

"T" indicates an operation clock cycle of the I<sup>2</sup>C. This operation clock has the same cycle of the system clock (fsysm). This cycle depends on the clock gear setting.

"n" indicates a frequency of SCL output clock specified with [I2CxCR]<SCK>.

"p" indicates a prescaler division ratio specified with [I2CxPRS]<PRSCK>.

Parameter	Symbol	Standard mode		Fast mode		Unit
		Min	Max	Min	Max	
SCL clock frequency	f <sub>SCL</sub>	0	100	0	400	kHz
Start condition hold time	t <sub>HD, STA</sub>	4.0	-	0.6	-	μs
SCL clock Low width (Input) (Note1)	t <sub>LOW</sub>	4.7	-	1.3	-	
SCL clock High width (Input) (Note2)	t <sub>HIGH</sub>	4.0	-	0.6	-	
Re-start condition setup time (Note5)	t <sub>SU, STA</sub>	4.7	-	0.6	-	
Data hold time (Input) (Note3, 4)	t <sub>HD, DAT</sub>	0	-	0	-	
Data setup time	t <sub>SU, DAT</sub>	250	-	100	-	ns
Stop condition setup time	t <sub>SU, STO</sub>	4.0	-	0.6	-	μs
Bus free time between stop condition and start condition (Note5)	t <sub>BUF</sub>	4.7	-	1.3	-	

Note1: SCL clock low level width (output):  $p \times (2^{n+1} + 10) / T$  ([I2CxOP]<NFSEL>=0)

Note2: SCL clock high level width (output):  $p \times (2^{n+1} + 6) / T$  ([I2CxOP]<NFSEL>=0)

On I<sup>2</sup>C bus standard, the maximum speed of standard mode/fast mode is 100kHz/400 kHz respectively.

Note that an internal SCL clock frequency is determined by the fsys and the calculation of Note1 and Note2 above-mentioned.

Note3: The data hold time (output) is equal to four cycles of the prescaler clock (Tprsc) started from the internal SCL.

Note4: On I<sup>2</sup>C bus standard, it is described that a data internal hold time should be set at least 300 ns to avoid unstable condition on the falling of the SCL when the SDA is input; however, this precaution is not supported in this MCU. Also, the edge slope control function for the SCL is not available. Therefore, when the customer designs the MCU, make sure to follow the data hold time (input) in the table above. Note that t<sub>r</sub>/t<sub>f</sub> on the SCL/SDA should be included in the data hold time.

Note5: Depends on software.

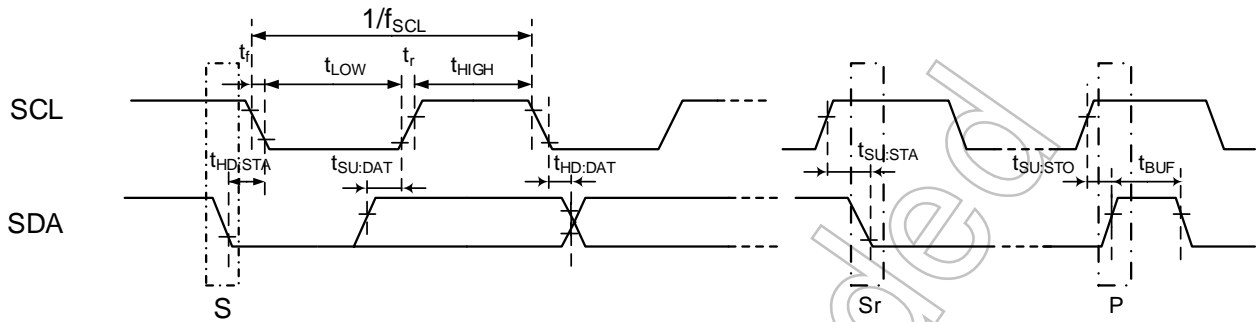


Figure 7.5 AC timing of I<sup>2</sup>C

Not Recommended for New Design

## 7.9.3. 32-bit Timer Event Counter (T32A)

This section describes AC characteristics of T32AxINA0/A1, T32AxINB0/B1, and T32AxINC0/C1.

### 7.9.3.1. AC Measurement Conditions

The AC characteristics are the result under the measurement conditions below:

- DVDD5=AVDD5= 2.7 to 5.5 V
- Ta = -40 to 105°C
- Input level: High =  $0.75 \times DVDD5$ , Low =  $0.25 \times DVDD5$
- Load capacity: CL = 30pF

Note: DVDD5 is a generic name for DVDD5A, and DVDD5B.

### 7.9.3.2. AC Electrical Characteristics

"T" in the table below indicates the operation clock cycle of the T32A. The operation clock of the T32A is the same cycle as the  $\Phi T0m$  clock. This cycle is depending on the Prescaler Clock setting.

(1) Operation other than the pulse count

Parameter	Symbol	Calculation		$\Phi T0m=80$ MHz		Unit
		Min	Max	Min	Max	
Low level pulse width	t <sub>VCKL</sub>	2T + 20	-	45	-	ns
High level pulse width	t <sub>VCKH</sub>	2T + 20	-	45	-	

(2) At the pulse count

Parameter	Symbol	Calculation		$\Phi T0m=80$ MHz NF=0		Unit
		Min	Max	Min	Max	
Pulse cycle	t <sub>DCYC</sub>	1000	-	1000	-	ns
Low level pulse width	t <sub>PWL</sub>	500	-	500	-	
High level pulse width	t <sub>PWH</sub>	500	-	500	-	
Input setup	t <sub>ABS</sub>	$(NF+1) \times T + 20$	-	32.5	-	
Input hold	t <sub>ABH</sub>	$(NF+1) \times T + 20$	-	32.5	-	

NF Value depends on the  $[T32AxPLSCR]<NF[1:0]>$  setting as follows.

$[T32AxPLSCR]<NF[1:0]>$	NF Value of Formula
00	0
01	2
10	4
11	8

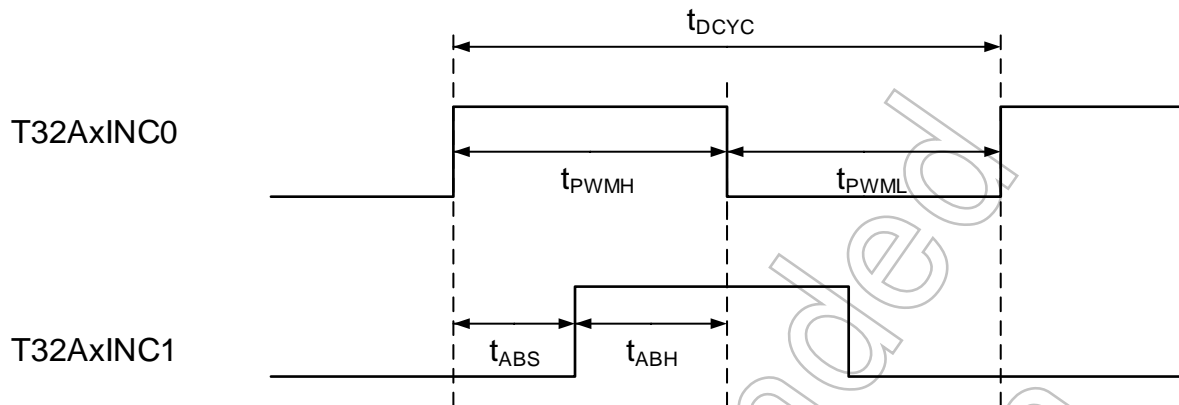


Figure 7.6 Count Pulse input

## 7.9.4. External Interrupt

### 7.9.4.1. AC Measurement Conditions

The AC characteristics are the result under the measurement conditions below:

- DVDD5=AVDD5= 2.7V to 5.5V
- Ta = -40 to 105°C
- Input level: High =  $0.75 \times DVDD5$ , Low =  $0.25 \times DVDD5$
- Load capacity: CL = 30pF

Note: DVDD5 is a generic name for DVDD5A, and DVDD5B.

### 7.9.4.2. AC Electrical Characteristics

"T" in the table below indicates the cycle of the system clock (fsys).

(1) NORMAL, IDLE mode

Parameter	Symbol	Calculation		fsys=160 MHz		Unit
		Min	Max	Min	Max	
Low level pulse width	t <sub>INTAL1</sub>	T + 100	-	106.25	-	ns
High level pulse width	t <sub>INTAH1</sub>	T + 100	-	106.25	-	

(2) STOP1 mode

Parameter	Symbol	Calculation		fsys=160 MHz		Unit
		Min	Max	Min	Max	
Low level pulse width	t <sub>INTCL2</sub>	125	-	125	-	ns
High level pulse width	t <sub>INTCH2</sub>	125	-	125	-	



## 7.9.5. Trigger Input (TRGINx)

### 7.9.5.1. AC Measurement Conditions

The AC characteristics are the result under the measurement conditions below:

- DVDD5=AVDD5= 2.7V to 5.5V
- Ta = -40 to 105°C
- Input level: High =  $0.75 \times DVDD5$ , Low =  $0.25 \times DVDD5$
- Load capacity: CL = 30pF

Note: DVDD5 is a generic name for DVDD5A, and DVDD5B.

### 7.9.5.2. AC Electrical Characteristics

"T" in the table below indicates the cycle of the system clock (fsysm).

Parameter	Symbol	Calculation		fsysm=80 MHz		Unit
		Min	Max	Min	Max	
Low level pulse width	t <sub>ADL</sub>	2T + 20	-	45	-	ns
High level pulse width	t <sub>ADH</sub>	2T + 20	-	45	-	

## 7.9.6. Debug Communication

### 7.9.6.1. AC Measurement Conditions

The AC characteristics are the result under the measurement conditions below:

- DVDD5=AVDD5= 2.7V to 5.5V
- Ta = -40 to 80°C
- Output level: High =  $0.8 \times DVDD5$ , Low =  $0.2 \times DVDD5$
- Input level: High =  $0.75 \times DVDD5$ , Low =  $0.25 \times DVDD5$
- Load capacity: CL = 30pF

Note: DVDD5 is a generic name for DVDD5A, and DVDD5B.

### 7.9.6.2. SW Interface

$4.5V \leq DVDD5=AVDD5 \leq 5.5V$

Parameter	Symbol	Min	Max	Unit
CLK cycle	$t_{dck}$	100	-	ns
Output data hold from on the rising edge of CLK	$t_{d1}$	4	-	
Output data valid from on the rising edge of CLK	$t_{d2}$	-	33	
From input data valid to the rising edge of CLK	$t_{ds}$	20	-	
Input data hold from on the rising edge of CLK	$t_{dh}$	15	-	

$2.7V \leq DVDD5=AVDD5 < 4.5V$

Parameter	Symbol	Min	Max	Unit
CLK cycle	$t_{dck}$	100	-	ns
Output data hold from on the rising edge of CLK	$t_{d1}$	4	-	
Output data valid from on the rising edge of CLK	$t_{d2}$	-	45	
From input data valid to the rising edge of CLK	$t_{ds}$	20	-	
Input data hold from on the rising edge of CLK	$t_{dh}$	15	-	

## 7.9.6.3. JTAG Interface

4.5V ≤ DVDD5=AVDD5 ≤ 5.5V

Parameter	Symbol	Min	Max	Unit
CLK cycle	$t_{dck}$	100	-	ns
Output data hold from on the rising edge of CLK	$t_{d3}$	4	-	
Output data valid from on the rising edge of CLK	$t_{d4}$	-	33	
From input data valid to the rising edge of CLK	$t_{ds}$	20	-	
Input data hold from on the rising edge of CLK	$t_{dh}$	15	-	

2.7V ≤ DVDD5=AVDD5 < 4.5V

Parameter	Symbol	Min	Max	Unit
CLK cycle	$t_{dck}$	100	-	ns
Output data hold from on the rising edge of CLK	$t_{d3}$	4	-	
Output data valid from on the rising edge of CLK	$t_{d4}$	-	45	
From input data valid to the rising edge of CLK	$t_{ds}$	20	-	
Input data hold from on the rising edge of CLK	$t_{dh}$	15	-	

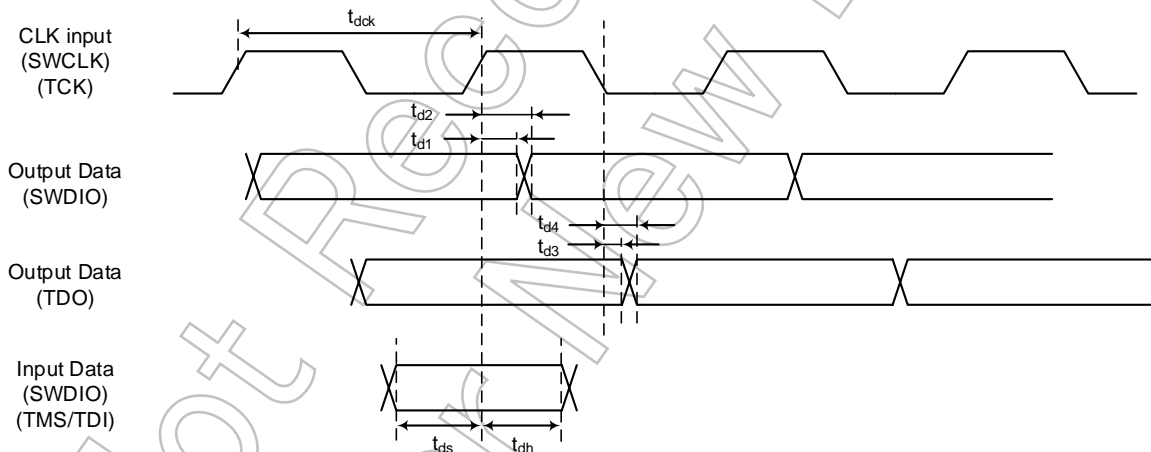


Figure 7.7 JTAG/SW waveform

## 7.9.6.4. ETM Trace

5.0V ≤ DVDD5 = AVDD5 ≤ 5.5V  
T<sub>j</sub> = 80°C (Note)

Parameter	Symbol	Min	Max	Unit
TRACECLK cycle	t <sub>clk</sub>	25	-	ns
Data valid from rising on TRACECLK	t <sub>setupr</sub>	2	-	
TRACEDATA hold from on the rising edge of TRACECLK	t <sub>holdr</sub>	1	-	
TRACEDATA valid from on the falling edge of TRACECLK	t <sub>setupf</sub>	2	-	
TRACEDATA hold from on the falling edge of TRACECLK	t <sub>holdf</sub>	1	-	

Note: Refer to Note3 of "7.1. Absolute Maximum Ratings".

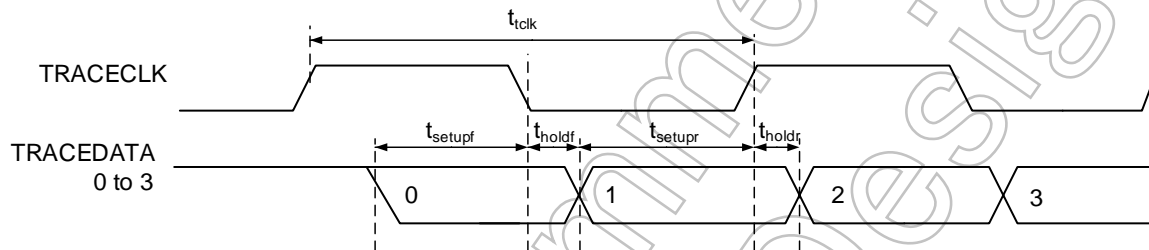


Figure 7.8 Trace signal waveform

## 7.9.6.5. Non Break Debug Interface (NBDIF)

Parameter	Symbol	Min	Max	Unit
NBDCLK cycle time	$t_{NDCYC}$	80	-	ns
NBDCLK low level pulse width	$t_{NDL}$	35	-	
NBD DATA output delay time	$t_{NDD}$	-	$t_{NDCYC} - 20$	
NBD DATA output hold time	$t_{NDHD}$	5	-	
NBD DATA setup time	$t_{NDS}$	20	-	
NBD DATA hold time	$t_{NDH}$	5	-	
NBDSYNC setup time	$t_{NDSYS}$	20	-	
NBDSYNC output hold time	$t_{NDSYH}$	5	-	

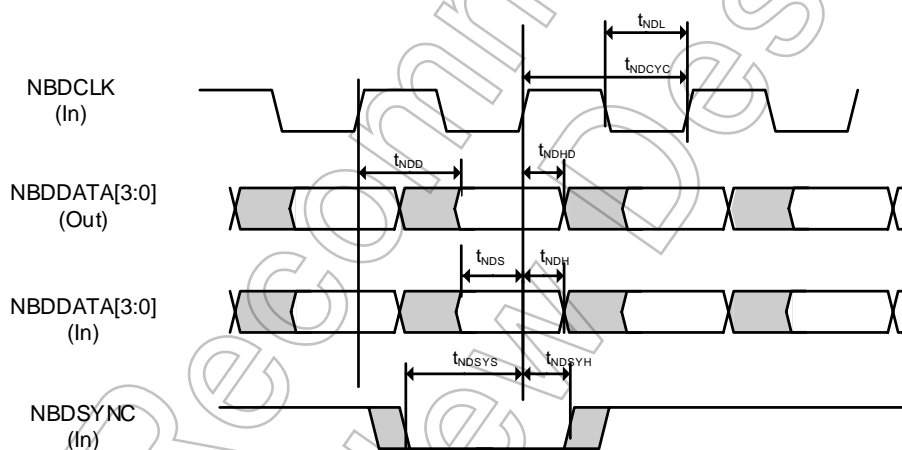


Figure 7.9 AC timing of NBDIF

## 7.9.7. Noise Filter Characteristics

Parameter	Condition	Min	Typ.	Max	Unit
Noise cancel width	DVDD5 = 2.7 to 5.5V Ta = -40 to 105°C	15	30	60	ns

Note: DVDD5 is a generic name for DVDD5A, and DVDD5B.

## 7.9.8. External Clock Input

### 7.9.8.1. AC Measurement Conditions

The AC characteristics are the result under the measurement conditions below:

- DVDD5=AVDD5= 2.7V to 5.5V
- Ta = -40 to 105°C
- Input level: High =  $0.75 \times DVDD5$ , Low =  $0.25 \times DVDD5$
- Load capacity: CL = 30pF

Note: DVDD5 is a generic name for DVDD5A, and DVDD5B.

### 7.9.8.2. AC Electrical Characteristics

Parameter	Symbol	Min	Typ.	Max	Unit
Clock frequency( $1/t_{ehcin}$ )	$f_{EHCLKIN}$	6	-	10	MHz
Clock duty	-	45	-	55	%
Clock rise time	$t_r$	-	-	10	ns
Clock fall time	$t_f$	-	-	10	ns

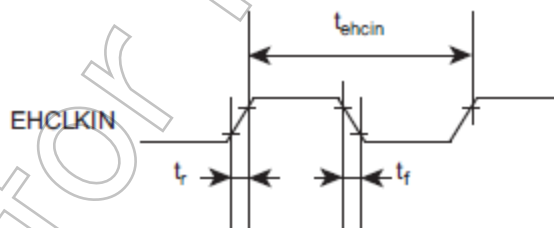


Figure 7.10 External clock input waveform

## 7.10. Flash Memory Characteristics

### 7.10.1. Code Flash

DVDD5=2.7V to 5.5V  
Ta= -40 to 105°C

Parameter	Condition	Min	Typ.	Max	Unit
Endurance	-	-	-	10,000	cycles
Programming time	Word Program time	-	29.5	-	μs
Erase time	Page Erase time	-	18.1	-	ms
	Block Erase time	-	144.2	-	
	Area Erase time(Note2)	-	18.1	-	

Note1: DVDD5 is a generic name for DVDD5A, and DVDD5B. DVSS is a generic name for DVSSA, DVSSB, and DVSSC.

Note2: No block with effective protection.

### 7.10.2. Data Flash

DVDD5=2.7V to 5.5V  
Ta= -40 to 105°C

Parameter	Condition	Min	Typ.	Max	Unit
Endurance	-	-	-	100,000	cycles
Programming time	-	-	64.7	-	μs
Erase time	Page Erase time	1	-	3.9	ms
	Block Erase time	15.4	-	62.1	
	Area Erase time(Note2)	-	9.2	-	

Note1: DVDD5 is a generic name for DVDD5A, and DVDD5B. DVSS is a generic name for DVSSA, DVSSB, and DVSSC.

Note2: No block with effective protection.

### 7.10.3. Chip Erase

DVDD5=2.7V to 5.5V  
Ta= -40 to 105°C

Parameter	Condition	Min	Typ.	Max	Unit
Chip Erase time	Erasing of Code Flash, Data Flash, Protect Bits(Code), Protect Bits(Data), and Security Bits	-	64.0	-	ms

Note1: DVDD5 is a generic name for DVDD5A, and DVDD5B. DVSS is a generic name for DVSSA, DVSSB, and DVSSC.

Note2: When Chip Erase command executes, no block with effective protection.

## 7.11. Regulator

DVDD5=2.7V to 5.5V  
 Ta= -40 to 105°C

Parameter	Condition	Min	Typ.	Max	Unit
Capacitance of REGOUT1 capacitor	-	-	4.7	-	μF
Capacitance of REGOUT2 capacitor		-	4.7	-	

Note: DVDD5 is a generic name for DVDD5A, and DVDD5B. DVSS is a generic name for DVSSA, DVSSB, and DVSSC.

Not Recommended  
for New Design



## 7.12. Oscillation Circuit

### 7.12.1. Internal Oscillation

DVDD5=2.7V to 5.5V  
Ta= -40 to 105°C

Parameter	Symbol	Condition	Min	Typ.	Max	Unit
Oscillation frequency	f <sub>IHOSC1</sub>	Factory out, IC data	-	10	-	MHz
	f <sub>IHOSC2</sub>		-	10	-	

Note1: DVDD5 is a generic name for DVDD5A, and DVDD5B. DVSS is a generic name for DVSSA, DVSSB, and DVSSC.

Note2: Not included the influence depend on the variations after Factory shipping. Please execute oscillator adjustment by the trimming register, if it is required.

### 7.12.2. External Oscillator

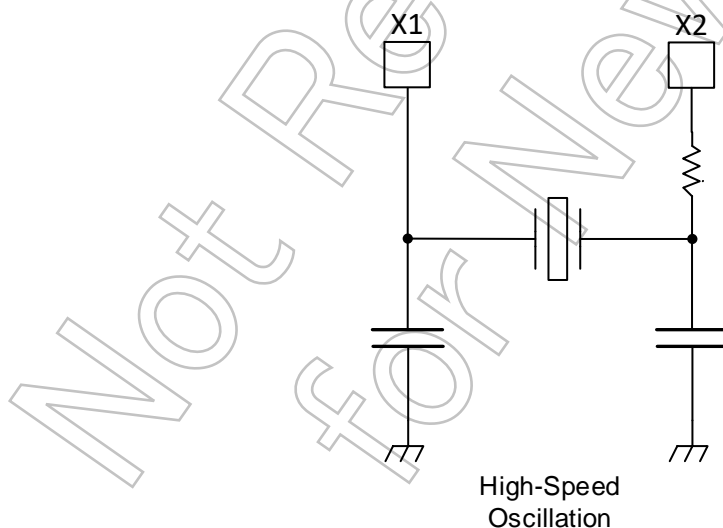
DVDD5=2.7V to 5.5V  
Ta= -40 to 105°C

Parameter	Symbol	Condition	Min	Typ.	Max	Unit
Oscillation frequency	f <sub>EHOSC</sub>	-	6	-	12	MHz

Note1: DVDD5 is a generic name for DVDD5A, and DVDD5B. DVSS is a generic name for DVSSA, DVSSB, and DVSSC.

Note2: Please contact the oscillator vendor, regarding the matching data of the device and the oscillator.

### 7.12.3. Oscillation Circuit



**Figure 7.11 Oscillation circuit sample**

To obtain a stable oscillation, load capacity and the position of the oscillator must be configured properly. Since these factors are strongly affected by substrate patterns, please evaluate oscillation stability using the substrate you use.

This product has been evaluated by the oscillator vendor below. Please refer this information when selecting external parts.

## 7.12.4. Ceramic Oscillator

This product has been evaluated by the ceramic oscillator by Murata Manufacturing Co., Ltd.  
Please refer to the company's website for details.

## 7.12.5. Crystal Oscillator

This product has been evaluated by the crystal oscillator by KYOCERA Corporation.  
Please refer to the company's website for details.

## 7.12.6. Precautions for designing printed circuit board

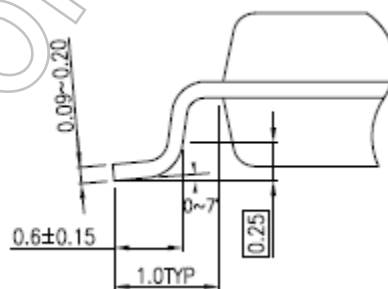
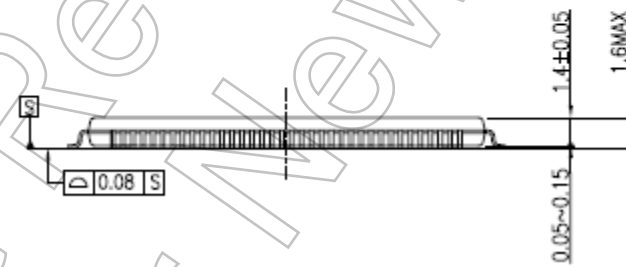
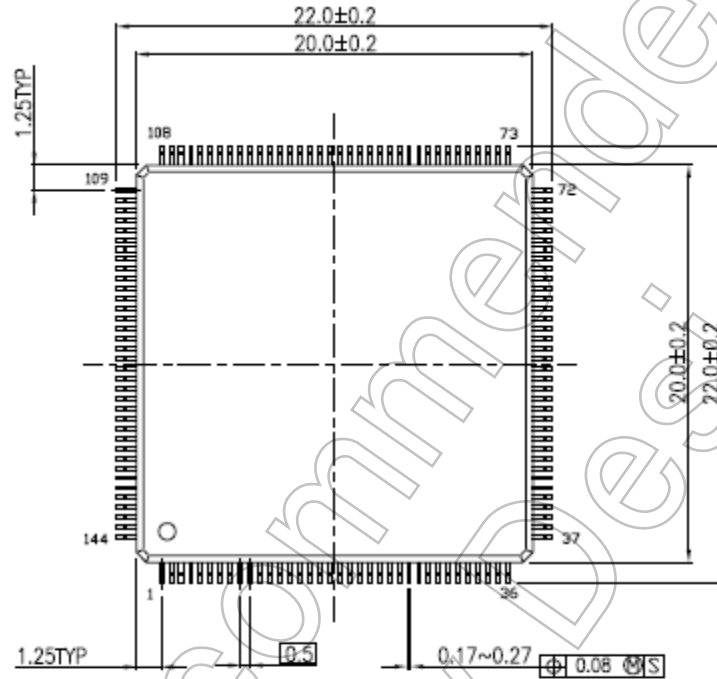
Be sure to design printed circuit board patterns that connect a crystal unit with other oscillation elements so that the length of such patterns become shortest possible to prevent deterioration of characteristics due to stray capacitances and wiring inductance. For multi-layer circuit boards, it is important not to wire the ground and other signal patterns right beneath the oscillation circuit. For more information, please refer to the URL of the oscillator vendor.

Not Recommended  
for New Design

## 8. Package Dimensions

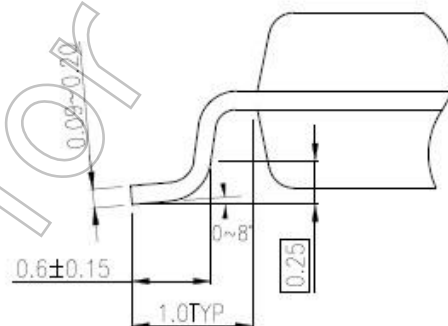
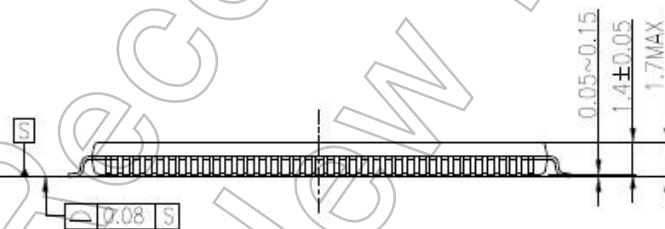
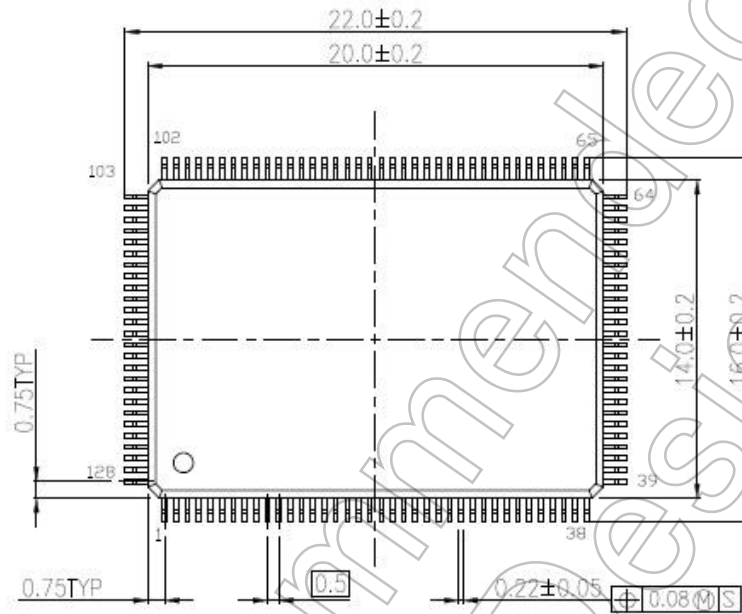
### 8.1. P-LQFP144-2020-0.50-002

Unit: mm



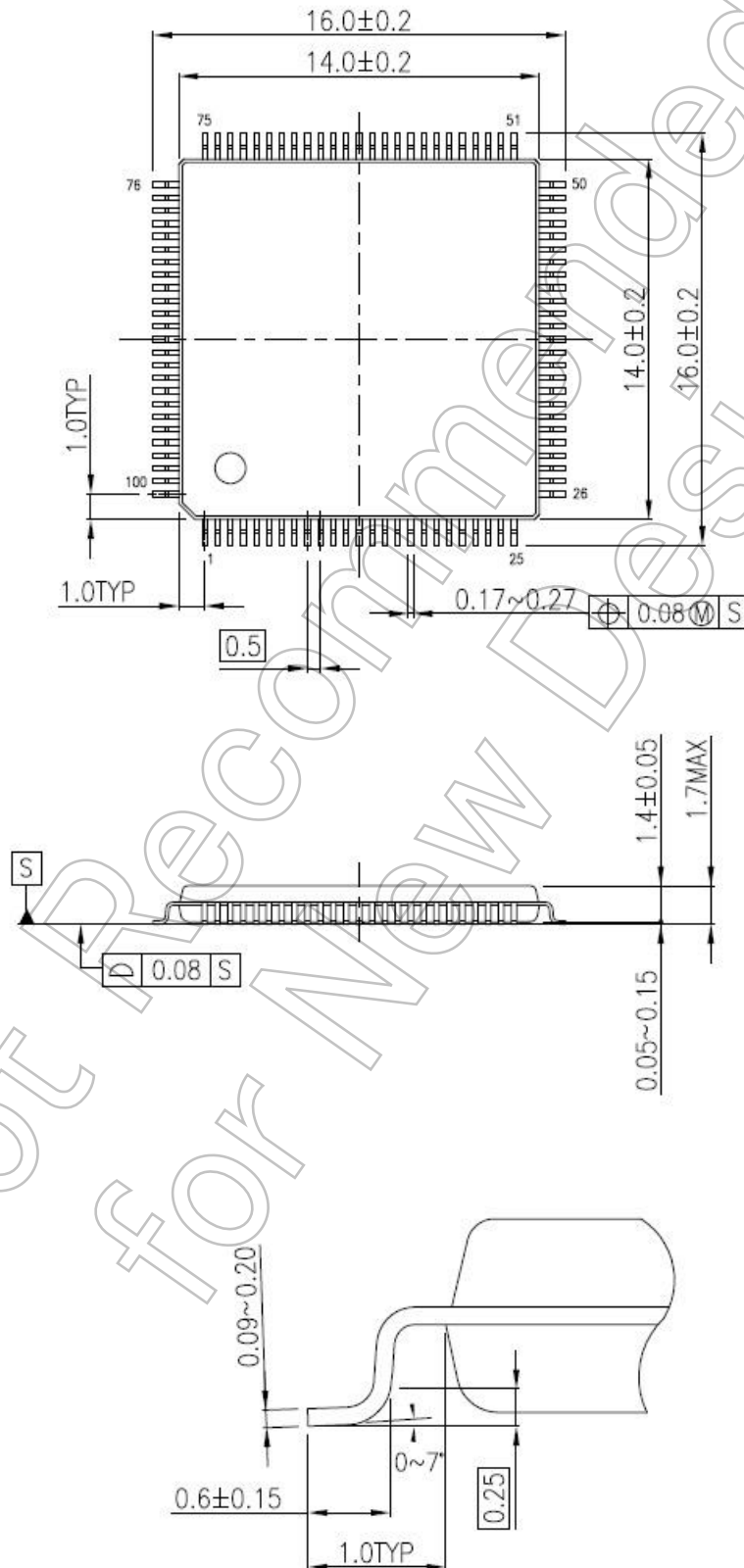
## 8.2. P-LQFP128-1420-0.50-001

Unit: mm



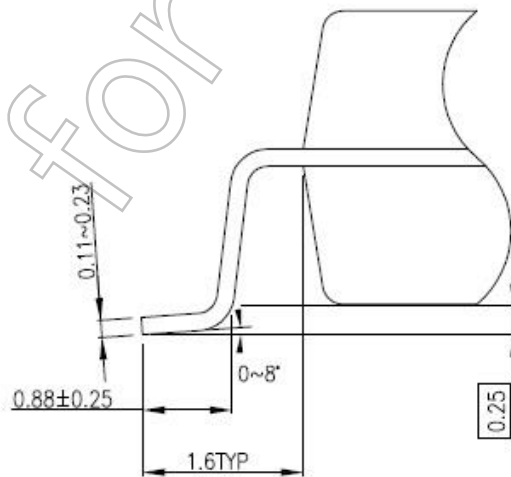
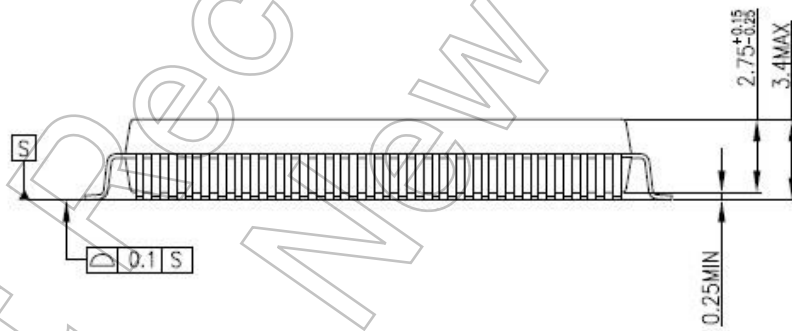
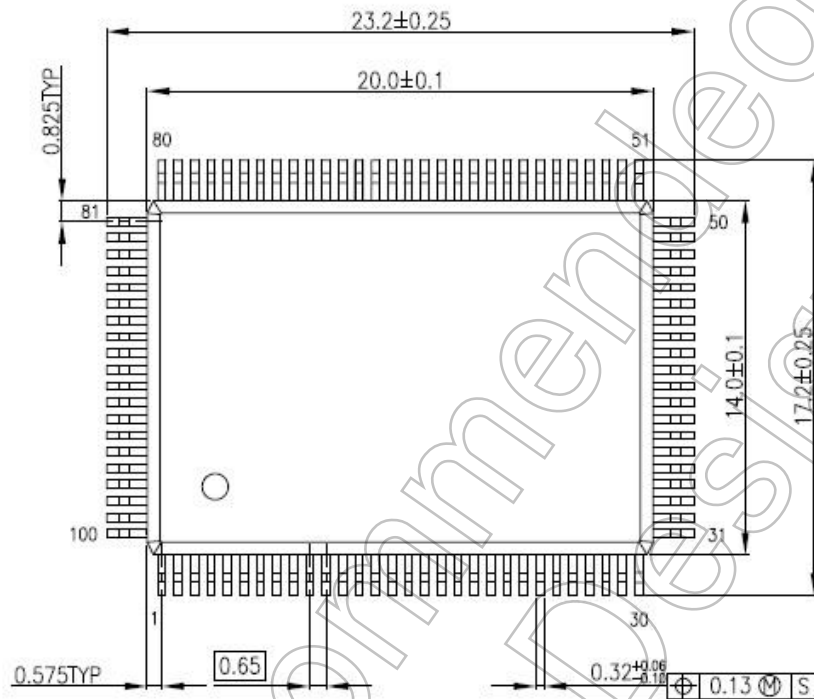
## 8.3. P-LQFP100-1414-0.50-002

Unit: mm



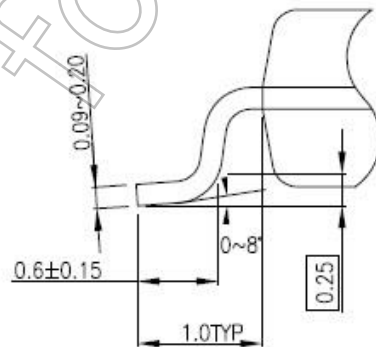
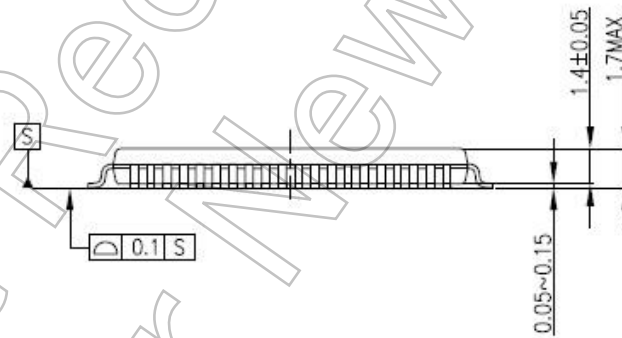
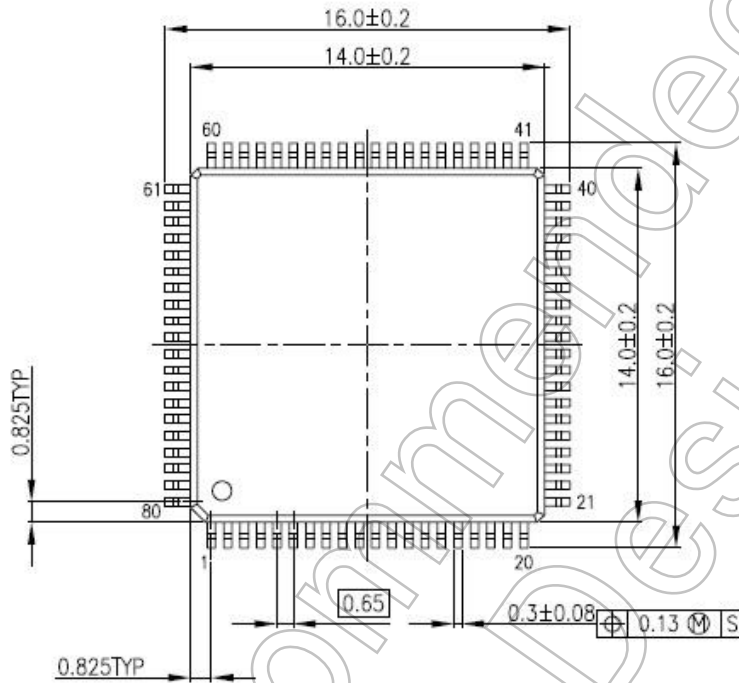
## 8.4. P-QFP100-1420-0.65-001

Unit: mm



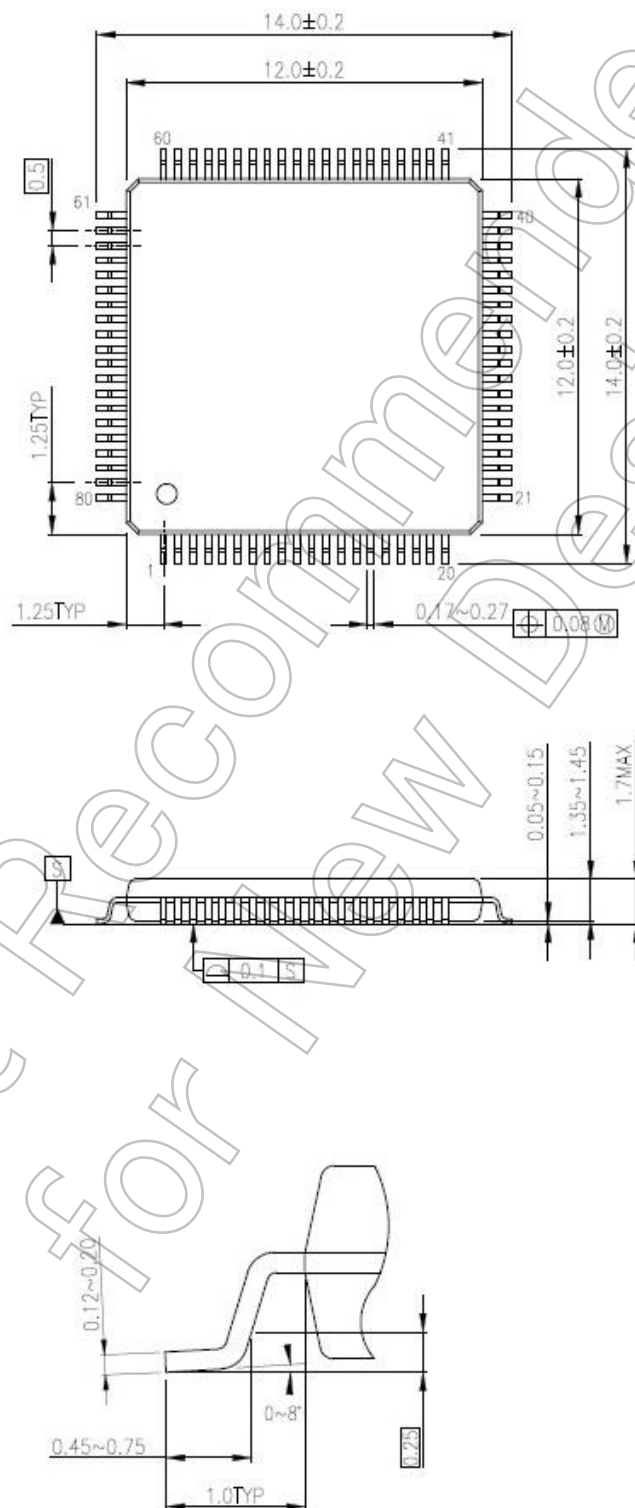
## 8.5. P-LQFP80-1414-0.65-001

Unit: mm



## 8.6. P-LQFP80-1212-0.50-003

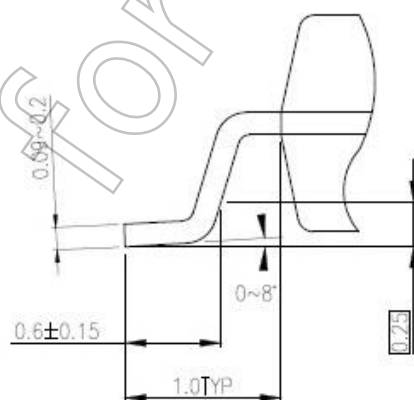
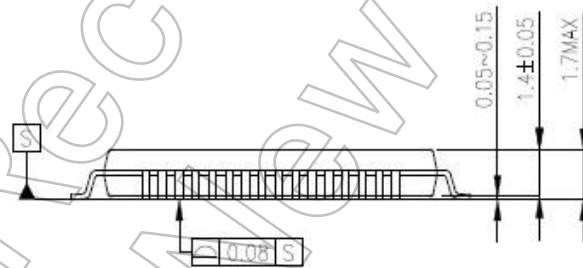
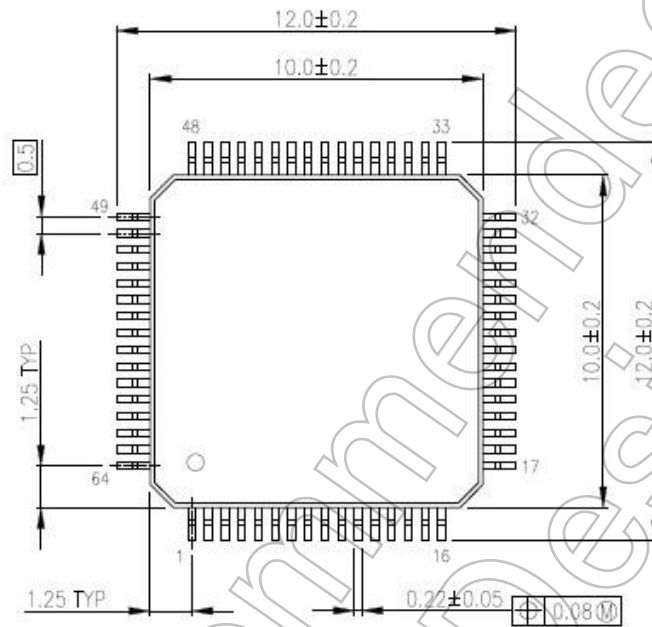
Unit: mm





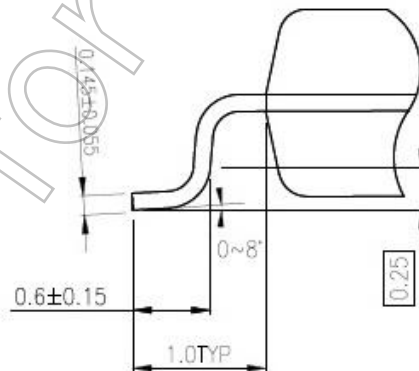
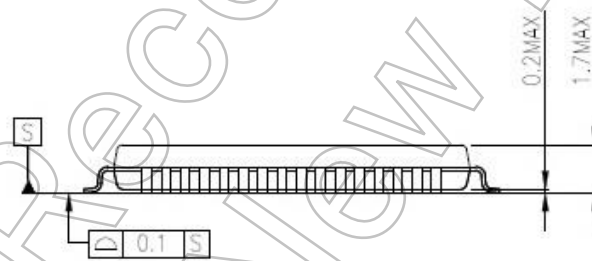
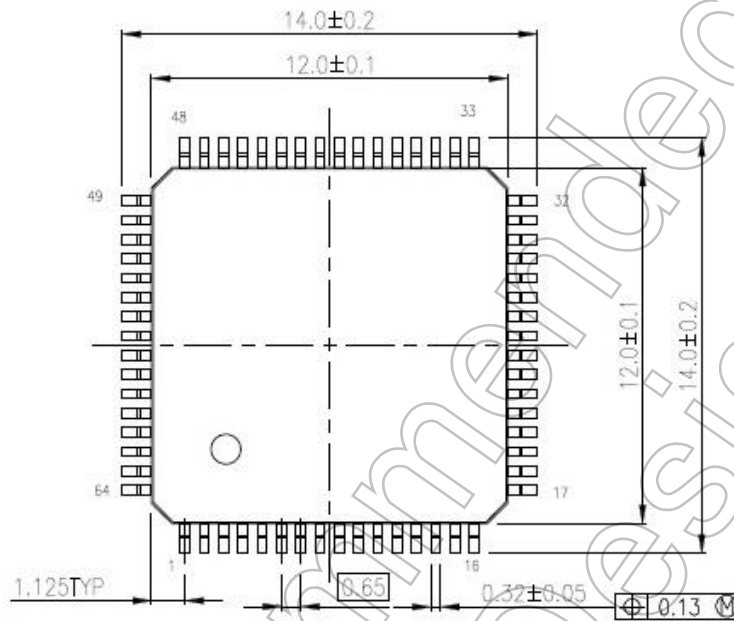
## 8.7. P-LQFP64-1010-0.50-003

Unit: mm



## 8.8. P-LQFP64-1212-0.65-001

Unit: mm



## 9. Precautions

This Page explains general precautions on the use of our MCUs.

Note that if there is a difference between the general precautions and the description in the body of the document, the description in the body of the document has higher priority.

### (1) The MCUs' operation at power on

At power on, internal state of the MCUs is unstable. Therefore, state of the pins is undefined until reset operation is completed.

When a reset is performed by an external reset pin, pins of the MCUs that use the reset pin are undefined until reset operation by the external pin is completed.

Also, when a reset is performed by the internal power on reset, pins of the MCUs that use the internal power on reset are undefined until power supply voltage reaches the voltage at which power on reset is valid.

### (2) Unused pins

Unused input/output ports of the MCUs are prohibited to use. The pins are high-impedance.

Generally, if MCUs operate while the high-impedance pins left open, electrostatic damage or latch-up may occur in the internal LSI due to induced voltage influenced from external noise.

We recommend that each unused pin should be connected to the power supply pins or GND pins via resistors.

### (3) Clock oscillation stability

A reset state must be released after the clock oscillation becomes stable. If the clock is changed to another clock while the program is in progress, wait until the clock is stable.

Not Recommended for New Design

## 10. Revision History

**Table 10.1 Revision History**

Revision	Date	Description
1.0	2018-10-16	First release
1.1	2021-10-15	- Terms and Abbreviations: modified the content of TSPI - 7.8. Modified Min/Max value of $V_{LVL4}$ to $V_{LVL7}$

Not Recommended  
for New Design

### Appendix

### List of All pins

Combination Function A to C: These are the functions which become effective without setting up port function registers.

Combination Function 1 to 7: These are the functions which become effective with setting up port function registers.

M4KQ LQFP144	M4KP LQFP128	M4KN QFP100	M4KN LQFP100	M4KM LQFP80	M4KL LQFP64	Pin Name	Combination Function A	Combination Function B	Combination Function C	Combination Function 1	Combination Function 2	Combination Function 3	Combination Function 4	Combination Function 5	Combination Function 6	Combination Function 7	Input/Output	PU/PD	5V_T	SMT/CMOS	Under Reset	After Reset
1	2	4	1	2	2	PU0		INT12		UT2TXDA	UT2RXD	I2C1SDA	T32A02 INB1		UO2		I/O	PU/PD	YES	SMT	Hi-z	Hi-z
2	3	5	2	3	3	PU1		INT07a		UT2RXD	UT2TXDA	I2C1SCL	T32A02 INA0	T32A02 INCO	XO2		I/O	PU/PD	YES	SMT	Hi-z	Hi-z
3	4	6	3	4	4	PU2		INT07b					T32A02 OUTA	T32A02 OUTC	VO2		I/O	PU/PD	N/A	SMT	Hi-z	Hi-z
4	5	7	4	5	5	PU3		INT08a		UT1RTS_N			T32A02 INB0	ENC2A	YO2		I/O	PU/PD	N/A	SMT	Hi-z	Hi-z
5	6	8	5	6	6	PU4		INT08b		UT1CTS_N			T32A02 OUTB	T32A02 INC1	WO2		I/O	PU/PD	N/A	SMT	Hi-z	Hi-z
6	7	9	6	7	7	PU5		INT13		UT1TXDA	UT1RXD		T32A02 INA1	ENC2B	ZO2		I/O	PU/PD	N/A	SMT	Hi-z	Hi-z
7	8	10	7	8	8	PU6		INT09		UT1RXD	UT1TXDA			ENC2Z	EMG2		I/O	PU/PD	N/A	SMT	Hi-z	Hi-z
8	9	11	8	-	-	PU7									OVV2	PMD2 DBG	I/O	PU/PD	N/A	SMT	Hi-z	Hi-z
9	10	12	9	9	-	PN0				UT0TXDA	UT0RXD	NBDDATA2 (Note3)	T32A05 INA0	T32A05 INCO	ENC0A	TRACE DATA2 (Note3)	I/O	PU/PD	N/A	SMT	Hi-z	Hi-z
10	11	13	10	10	-	PN1		INT16a		UT0RXD	UT0TXDA	NBDDATA3 (Note3)	T32A05 OUTA	T32A05 OUTC	ENC0B	TRACE DATA3 (Note3)	I/O	PU/PD	N/A	SMT	Hi-z	Hi-z
11	12	14	11	11	-	PN2		INT16b		UT0CTS_N			T32A05 INA1	T32A05 INC1	ENC0Z		I/O	PU/PD	N/A	SMT	Hi-z	Hi-z
12	13	15	12	-	-	PV0					TSP1CSIN		T32A01 OUTB				I/O	PU/PD	N/A	SMT	Hi-z	Hi-z
13	14	16	13	-	-	PV1				UT0RTS_N	TSP1RXD						I/O	PU/PD	N/A	SMT	Hi-z	Hi-z
14	15	-	-	-	-	PV2				UT1RTS_N	TSP1TXD						I/O	PU/PD	N/A	SMT	Hi-z	Hi-z
15	16	-	-	-	-	PV3				UT1CTS_N	TSP1SCK						I/O	PU/PD	N/A	SMT	Hi-z	Hi-z
16	-	-	-	-	-	PW0							T32A04 INA0	T32A04 INCO			I/O	PU/PD	N/A	SMT	Hi-z	Hi-z
17	-	-	-	-	-	PW1							T32A04 OUTA	T32A04 OUTC			I/O	PU/PD	N/A	SMT	Hi-z	Hi-z
18	-	-	-	-	-	PW2							T32A04 INA1	T32A04 INC1			I/O	PU/PD	N/A	SMT	Hi-z	Hi-z
19	-	-	-	-	-	PW3		INT20b					T32A04 INB0				I/O	PU/PD	N/A	SMT	Hi-z	Hi-z
20	-	-	-	-	-	PW4		INT20a					T32A04 INB1				I/O	PU/PD	N/A	SMT	Hi-z	Hi-z
21	-	-	-	-	-	PW5							T32A04 OUTB				I/O	PU/PD	N/A	SMT	Hi-z	Hi-z
22	-	-	-	-	-	PW6				UT3RTS_N							I/O	PU/PD	N/A	SMT	Hi-z	Hi-z
23	-	-	-	-	-	PW7				UT3CTS_N							I/O	PU/PD	N/A	SMT	Hi-z	Hi-z
24	17	17	14	12	9	DVSSG											-	-	-	-	-	-
25	18	18	15	13	-	PA0				TSP10CSIN			T32A00 INB0				I/O	PU/PD	N/A	SMT	Hi-z	Hi-z
26	19	19	16	14	-	PA1		INT15		TSP10CS1			T32A00 INB1				I/O	PU/PD	N/A	SMT	Hi-z	Hi-z
27	20	20	17	15	10	PA2		INT00		TSP10RXD			T32A00 INA0	T32A00 INCO	PMD2 DBG	TRGIN0	I/O	PU/PD	N/A	SMT	Hi-z	Hi-z
28	21	21	18	16	11	PA3		INT01b		TSP10TXD			T32A00 OUTA	T32A00 OUTC		TRGIN1	I/O	PU/PD	N/A	SMT	Hi-z	Hi-z
29	22	22	19	17	12	PA4		INT01a		TSP10SCK			T32A00 OUTB			TRGIN2	I/O	PU/PD	N/A	SMT	Hi-z	Hi-z
30	23	-	-	-	-	PP4							T32A01 OUTA	T32A01 OUTC	ENC0B		I/O	PU/PD	N/A	SMT	Hi-z	Hi-z
31	24	-	-	-	-	PP5							T32A01 INA1	T32A01 INC1	ENC0Z		I/O	PU/PD	N/A	SMT	Hi-z	Hi-z
32	25	-	-	-	-	PP6				UT3RTS_N	TSP1CS0						I/O	PU/PD	N/A	SMT	Hi-z	Hi-z
33	26	-	-	-	-	PP7				UT3CTS_N	TSP1CS1						I/O	PU/PD	N/A	SMT	Hi-z	Hi-z
34	27	23	20	18	13	PL0		AINA16									I/O	PU/PD	N/A	SMT	Hi-z	Hi-z
35	28	24	21	19	14	PL1		AINA15									I/O	PU/PD	N/A	SMT	Hi-z	Hi-z
36	29	25	22	20	15	PL2		AINA17									I/O	PU/PD	N/A	SMT	Hi-z	Hi-z
37	30	26	23	21	16	PL3		AINA14									I/O	PU/PD	N/A	SMT	Hi-z	Hi-z
38	31	27	24	22	17	PL4		AINA18									I/O	PU/PD	N/A	SMT	Hi-z	Hi-z
39	32	28	25	23	18	PL5		AINA13									I/O	PU/PD	N/A	SMT	Hi-z	Hi-z
40	33	29	26	24	19	PL6		AINA09									I/O	PU/PD	N/A	SMT	Hi-z	Hi-z
41	34	30	27	25	20	PL7		AINA08									I/O	PU/PD	N/A	SMT	Hi-z	Hi-z
42	35	31	28	-	-	PM0		AINA07									I/O	PU/PD	N/A	SMT	Hi-z	Hi-z
43	36	32	29	-	-	PM1		AINA06									I/O	PU/PD	N/A	SMT	Hi-z	Hi-z
44	37	33	30	-	-	PM2		AINA05									I/O	PU/PD	N/A	SMT	Hi-z	Hi-z
45	38	-	-	-	-	PM3		AINA04									I/O	PU/PD	N/A	SMT	Hi-z	Hi-z
46	39	-	-	-	-	PM4		AINA03									I/O	PU/PD	N/A	SMT	Hi-z	Hi-z

M4KQ LQFP144	M4KP LQFP128	M4KN QFP100	M4KN LQFP100	M4KM LQFP80	M4KL LQFP64	Pin Name	Combinat ion Function A	Combinat ion Function B	Combinat ion Function C	Combinatio n Function 1	Combinatio n Function 2	Combinatio n Function 3	Combinatio n Function 4	Combinatio n Function 5	Combinatio n Function 6	Combinatio n Function 7	Input/ Output	PU/PD	5V_T	SMT/ CMOS	Under Reset	After Reset
47	40	-	-	-	-	PM5	AINA02										I/O	PU/PD	N/A	SMT	Hi-z	Hi-z
48	41	-	-	-	-	PM6	AINA01										I/O	PU/PD	N/A	SMT	Hi-z	Hi-z
49	42	-	-	-	-	PM7	AINA00										I/O	PU/PD	N/A	SMT	Hi-z	Hi-z
50	43	34	31	26	21	VREFL											-	-	-	-	-	-
51	44	35	32	27	22	AVSS											-	-	-	-	-	-
52	45	36	33	28	23	AVDD5											-	-	-	-	-	-
53	46	37	34	29	24	VREFH											-	-	-	-	-	-
54	47	-	-	-	-	PK7	AINB07										I/O	PU/PD	N/A	SMT	Hi-z	Hi-z
55	48	-	-	-	-	PK6	AINB06										I/O	PU/PD	N/A	SMT	Hi-z	Hi-z
56	49	-	-	-	-	PK5	AINB05										I/O	PU/PD	N/A	SMT	Hi-z	Hi-z
57	50	38	35	30	-	PK4	AINB04										I/O	PU/PD	N/A	SMT	Hi-z	Hi-z
58	51	39	36	31	-	PK3	AINB03										I/O	PU/PD	N/A	SMT	Hi-z	Hi-z
59	52	40	37	32	25	PK2	AINB02										I/O	PU/PD	N/A	SMT	Hi-z	Hi-z
60	53	41	38	33	26	PK1	AINB01										I/O	PU/PD	N/A	SMT	Hi-z	Hi-z
61	54	42	39	34	27	PK0	AINB00										I/O	PU/PD	N/A	SMT	Hi-z	Hi-z
62	55	-	-	-	-	PJ7	AINC07										I/O	PU/PD	N/A	SMT	Hi-z	Hi-z
63	56	-	-	-	-	PJ6	AINC06										I/O	PU/PD	N/A	SMT	Hi-z	Hi-z
64	57	43	40	-	-	PJ5	AINC05										I/O	PU/PD	N/A	SMT	Hi-z	Hi-z
65	58	44	41	-	-	PJ4	AINC04										I/O	PU/PD	N/A	SMT	Hi-z	Hi-z
66	59	45	42	35	-	PJ3	AINC03										I/O	PU/PD	N/A	SMT	Hi-z	Hi-z
67	60	46	43	36	28	PJ2	AINC02										I/O	PU/PD	N/A	SMT	Hi-z	Hi-z
68	61	47	44	37	29	PJ1	AINC01										I/O	PU/PD	N/A	SMT	Hi-z	Hi-z
69	62	48	45	38	30	PJ0	AINC00										I/O	PU/PD	N/A	SMT	Hi-z	Hi-z
70	63	49	46	39	31	PC0				UT0TXDA	UT0RXD		I2C0SDA	T32A02 INA0	T32A02 INC0		I/O	PU/PD	YES	SMT	Hi-z	Hi-z
71	64	50	47	40	32	PC1		INT02a		UT0RXD	UT0TXDA		I2C0SCL	T32A02 OUTA	T32A02 OUTC		I/O	PU/PD	YES	SMT	Hi-z	Hi-z
72	65	51	48	41	33	PC2		INT10				TSPI0CS0		T32A03 OUTA	T32A03 OUTC	PMD0 DBG	I/O	PU/PD	N/A	SMT	Hi-z	Hi-z
73	66	52	49	42	34	PC3		INT03a				TSPI0RXD		T32A03 OUTB		PMD1 DBG	I/O	PU/PD	N/A	SMT	Hi-z	Hi-z
74	67	53	50	43	-	PC4				UT1TXDA	UT1RXD	TSPI0TXD					I/O	PU/PD	N/A	SMT	Hi-z	Hi-z
75	68	54	51	44	-	PC5				UT1RXD	UT1TXDA	TSPI0SCK					I/O	PU/PD	N/A	SMT	Hi-z	Hi-z
76	69	55	52	-	-	PC6		INT02b				TSPI0CS1		T32A02 INA1	T32A02 INC1		I/O	PU/PD	N/A	SMT	Hi-z	Hi-z
77	70	56	53	-	-	PC7						TSPI0CSIN		T32A02 INB0			I/O	PU/PD	N/A	SMT	Hi-z	Hi-z
78	71	57	54	45	35	PB0							UO0				I/O	PU/PD	N/A	SMT	Hi-z	Hi-z
79	72	58	55	46	36	PB1							XO0				I/O	PU/PD	N/A	SMT	Hi-z	Hi-z
80	73	59	56	47	37	PB2							VO0				I/O	PU/PD	N/A	SMT	Hi-z	Hi-z
81	74	60	57	48	38	PB3							YO0				I/O	PU/PD	N/A	SMT	Hi-z	Hi-z
82	75	61	58	49	39	PB4							WO0				I/O	PU/PD	N/A	SMT	Hi-z	Hi-z
83	76	62	59	50	40	PB5							ZO0				I/O	PU/PD	N/A	SMT	Hi-z	Hi-z
84	77	63	60	51	41	PB6							EMG0				I/O	PU/PD	N/A	SMT	Hi-z	Hi-z
85	78	64	61	-	-	PB7							OVV0		PMD0 DBG		I/O	PU/PD	N/A	SMT	Hi-z	Hi-z
86	79	-	-	-	-	PT0					I2C0SDA		T32A00 INA0	T32A00 INC0			I/O	PU/PD	YES	SMT	Hi-z	Hi-z
87	80	-	-	-	-	PT1					I2C0SCL		T32A00 OUTA	T32A00 OUTC			I/O	PU/PD	YES	SMT	Hi-z	Hi-z
88	81	-	-	-	-	PT2							T32A00 INA1	T32A00 INC1			I/O	PU/PD	N/A	SMT	Hi-z	Hi-z
89	82	-	-	-	-	PT3							T32A00 INB0				I/O	PU/PD	N/A	SMT	Hi-z	Hi-z
90	83	-	-	-	-	PT4							T32A00 INB1				I/O	PU/PD	N/A	SMT	Hi-z	Hi-z
91	84	-	-	-	-	PT5							T32A00 OUTB				I/O	PU/PD	N/A	SMT	Hi-z	Hi-z
92	85	-	-	-	-	PT6				UT2RTS_N							I/O	PU/PD	N/A	SMT	Hi-z	Hi-z
93	86	-	-	-	-	PT7				UT2CTS_N							I/O	PU/PD	N/A	SMT	Hi-z	Hi-z
94	87	65	62	52	42	DVSSA											-	-	-	-	-	-
95	88	66	63	53	43	DVDD5A											-	-	-	-	-	-
96	89	-	-	-	-	PP0								T32A05 INB0			I/O	PU/PD	N/A	SMT	Hi-z	Hi-z
97	90	67	64	-	-	PD0		INT17b						T32A02 INB1			I/O	PU/PD	N/A	SMT	Hi-z	Hi-z
98	91	68	65	-	-	PD1		INT17a						T32A02 OUTB			I/O	PU/PD	N/A	SMT	Hi-z	Hi-z
99	92	69	66	-	-	PD2		INT03b		UT0CTS_N				T32A03 INA0	T32A03 INC0		I/O	PU/PD	N/A	SMT	Hi-z	Hi-z
100	93	70	67	-	-	PD3				UT0RTS_N	I2C1SDA			T32A03 INA1	T32A03 INC1	ENC2A	I/O	PU/PD	YES	SMT	Hi-z	Hi-z
101	94	71	68	-	-	PD4		INT18b			I2C1SCL			T32A03 INB0		ENC2B	I/O	PU/PD	YES	SMT	Hi-z	Hi-z
102	95	72	69	-	-	PD5		INT18a						T32A03 INB1		ENC2Z	I/O	PU/PD	N/A	SMT	Hi-z	Hi-z
103	96	73	70	54	-	PG0								T32A04 INA0	T32A04 INC0		I/O	PU/PD	N/A	SMT	Hi-z	Hi-z
104	97	74	71	55	-	PG1				TSPI1CS1				T32A04 INA1	T32A04 INC1		I/O	PU/PD	N/A	SMT	Hi-z	Hi-z
105	98	75	72	56	44	PG2	BOOT_N			TSPI1CS0				T32A04 OUTA	T32A04 OUTC		Output	PU/PD	N/A	SMT	Hi-z (Note1)	Hi-z
106	99	76	73	57	45	PG3		INT21		TSPI1CSIN				T32A04 OUTB			I/O	PU/PD	N/A	SMT	Hi-z	Hi-z

M4KQ LQFP144	M4KP LQFP128	M4KN QFP100	M4KN LQFP100	M4KM LQFP80	M4KL LQFP64	Pin Name	Combination Function A	Combination Function B	Combination Function C	Combination Function 1	Combination Function 2	Combination Function 3	Combination Function 4	Combination Function 5	Combination Function 6	Combination Function 7	Input/Output	PU/PD	5V_T	SMT/CMOS	Under Reset	After Reset	
107	100	77	74	58	46	PG4				TSP11RXD			T32A04 INB0				I/O	PU/PD	N/A	SMT	Hi-z	Hi-z	
108	101	78	75	59	47	PG5				TSP11TXD			T32A04 INB1				I/O	PU/PD	N/A	SMT	Hi-z	Hi-z	
109	102	79	76	60	48	PG6				TSP11SCK							I/O	PU/PD	N/A	SMT	Hi-z	Hi-z	
110	103	80	77	61	49	PE0				CANTX (Note3) (Note4)					UO1		I/O	PU/PD	N/A	SMT	Hi-z	Hi-z	
111	104	81	78	62	50	PE1		INT04b		CANRX (Note3) (Note4)			T32A03 INA0	T32A03 INC0	XO1		I/O	PU/PD	N/A	SMT	Hi-z	Hi-z	
112	105	82	79	63	51	PE2							T32A03 OUTA	T32A03 OUTC	VO1		I/O	PU/PD	N/A	SMT	Hi-z	Hi-z	
113	106	83	80	64	52	PE3		INT04a					T32A03 INA1	T32A03 INC1	YO1		I/O	PU/PD	N/A	SMT	Hi-z	Hi-z	
114	107	84	81	65	53	PE4		INT11a					T32A03 INB0		WO1		I/O	PU/PD	N/A	SMT	Hi-z	Hi-z	
115	108	85	82	66	54	PE5		INT05a	INT11b				T32A03 INB1		ZO1		I/O	PU/PD	N/A	SMT	Hi-z	Hi-z	
116	109	86	83	67	55	PE6		INT05b					T32A03 OUTB		EMG1		I/O	PU/PD	N/A	SMT	Hi-z	Hi-z	
117	110	87	84	-	-	PE7									OVV1	PMD1 DBG	I/O	PU/PD	N/A	SMT	Hi-z	Hi-z	
118	111	-	-	-	-	PP1		INT19a					T32A05 INB1				I/O	PU/PD	N/A	SMT	Hi-z	Hi-z	
119	112	-	-	-	-	PP2		INT19b					T32A05 OUTB				I/O	PU/PD	N/A	SMT	Hi-z	Hi-z	
120	113	-	-	-	-	PP3							T32A01 INA0	T32A01 INC0	ENC0A		I/O	PU/PD	N/A	SMT	Hi-z	Hi-z	
121	-	-	-	-	-	PR0							T32A05 INB0				I/O	PU/PD	N/A	SMT	Hi-z	Hi-z	
122	-	-	-	-	-	PR1							T32A05 INB1				I/O	PU/PD	N/A	SMT	Hi-z	Hi-z	
123	-	-	-	-	-	PR2							T32A05 OUTB				I/O	PU/PD	N/A	SMT	Hi-z	Hi-z	
124	-	-	-	-	-	PR3				UT2RTS_N					ENC1A		I/O	PU/PD	N/A	SMT	Hi-z	Hi-z	
125	-	-	-	-	-	PR4				UT2CTS_N					ENC1B		I/O	PU/PD	N/A	SMT	Hi-z	Hi-z	
126	-	-	-	-	-	PR5							T32A01 INB0		ENC1Z		I/O	PU/PD	N/A	SMT	Hi-z	Hi-z	
127	-	-	-	-	-	PR6							T32A01 INB1				I/O	PU/PD	N/A	SMT	Hi-z	Hi-z	
128	-	-	-	-	-	PR7							T32A01 OUTB				I/O	PU/PD	N/A	SMT	Hi-z	Hi-z	
129	114	88	85	68	56	DVDD5B											-	-	-	-	-	-	
130	115	89	86	69	57	REGOUT2											-	-	-	-	-	-	
131	116	90	87	70	58	REGOUT1											-	-	-	-	-	-	
132	117	91	88	71	59	DVSSB											-	-	-	-	-	-	
133	118	92	89	72	60	MODE											-	PD	-	SMT	-	-	
134	119	93	90	73	61	PH0	X1	EHCLKIN									Input	PD	N/A	SMT	Hi-z	Hi-z	
135	120	94	91	74	62	PH1	X2										Input	PD	N/A	SMT	Hi-z	Hi-z	
136	121	95	92	75	63	RESET_N											-	PU	-	SMT	-	-	
137	122	96	93	76	-	PF7				UT3RXD	UT3TXDA	NBDDATA1 (Note3)	T32A01 INB1				TRACE DATA1 (Note3)	I/O	PU/PD	N/A	SMT	Hi-z	Hi-z
138	123	97	94	77	-	PF6				UT3TXDA	UT3RXD	NBDDATA0 (Note3)	T32A01 INB0				TRACE DATA0 (Note3)	I/O	PU/PD	N/A	SMT	Hi-z	Hi-z
139	124	98	95	-	-	PF5		INT14b				NBDCCLK	T32A01 INA1	T32A01 INC1	ENC1Z		TRACE CLK	I/O	PU/PD	N/A	SMT	Hi-z	Hi-z
140	125	99	96	78	-	PF4		INT14a		UT3RXD	UT3TXDA	NBDSYNC (Note3)	T32A01 OUTA	T32A01 OUTC	ENC1B		TRST_N (Note3)	I/O	PU/PD	N/A	SMT	PU (Note2)	PU (Note2)
141	126	100	97	79	-	PF3				UT3TXDA	UT3RXD		T32A01 INA0	T32A01 INC0	ENC1A		TDI (Note3)	I/O	PU/PD	N/A	SMT	PU (Note2)	PU (Note2)
142	127	1	98	-	-	PF2		INT06b					T32A05 INA1	T32A05 INC1			TDO/SWV	I/O	PU/PD	N/A	SMT	Hi-z	Hi-z
143	128	2	99	80	64	PF1		INT06a		UT2RXD	UT2TXDA		T32A05 OUTA	T32A05 OUTC			TCK/SWCLK (Note3) (Note4)	I/O	PU/PD	N/A	SMT	PD (Note2)	PD (Note2)
144	1	3	100	1	1	PF0				UT2TXDA	UT2RXD		T32A05 INA0	T32A05 INC0			TMS/SWDIO (Note3) (Note4)	I/O	PU/PD	N/A	SMT	PU (Note2)	PU (Note2)

Note1: When RESET\_N pin is "Low", built-in pull-up resistor is enabled.

Note2: The Initial value of built-in Pull-up/Pull-down resistor is effective.

Note3: CANTX/CANRX, TRST\_N/TDI/TCK/TMS, TRACEDATA0/TRACEDATA1/TRACEDATA2/TRACEDATA3, NBDDATA0/NBDDATA1/NBDDATA2/NBDDATA3/NBDSYNC are not available in M4KM.

Note4: CANTX/CANRX, TCK/TMS are not available in M4KL.

## Part Naming Conventions

# TMP M4K Q F Y x UG

The identification of  
Toshiba microcontrollers

Revision

### Package

Symbol	Package
QG	Plastic shrink quad outline non-leaded package; dry-packed
UG, DUG, FG, DFG	Plastic quad flat package; dry-packed
MG, DMG	Plastic small-outline package; dry-packed
XBG	Plastic ball grid array; dry-packed

### Core

Symbol	Core
M4	Arm Cortex-M4 processor with FPU
M3	Arm Cortex-M3
M0	Arm Cortex-M0

### Product Group

Family	Group	Application
TXZ	H	For General-purpose/Consumer electronic equipment
	K	For Motor/Inverter control industrial equipment(MCU+AMP/COMP)
	G	For OA/Digital equipment/industrial equipment
	E	For Robotics, Precision instruments control
	P	For Healthcare/ Battery equipment

### ROM Size

Symbol	Size[KB]
M	32
P	48
S	64
U	96
W	128
Y	256
Z	384
D	512
E	768
10	1,023
15	1,536
20	2,048
40	4,096
80	8,192

### Pin Count

Symbol	Pin count	Symbol	Pin count
0	G Under 32pin	8	Q 129pin to 144pin
1	H 33pin to 44pin	9	R 145pin to 176pin
2	J 45pin to 48pin	A	S 177pin to 200pin
3	K 49pin to 52pin	B	T 201pin to 224pin
4	L 53pin to 64pin	C	U 225pin to 250pin
5	M 65pin to 80pin	D	V 251pin to 300pin
6	N 81pin to 100pin		
7	P 101pin to 128pin		

### ROM Type

Symbol	Type
F	Flash
C	Mask



## RESTRICTIONS ON PRODUCT USE

Toshiba Corporation and its subsidiaries and affiliates are collectively referred to as "TOSHIBA". Hardware, software and systems described in this document are collectively referred to as "Product".

- TOSHIBA reserves the right to make changes to the information in this document and related Product without notice.
- This document and any information herein may not be reproduced without prior written permission from TOSHIBA. Even with TOSHIBA's written permission, reproduction is permissible only if reproduction is without alteration/omission.
- Though TOSHIBA works continually to improve Product's quality and reliability, Product can malfunction or fail. Customers are responsible for complying with safety standards and for providing adequate designs and safeguards for their hardware, software and systems which minimize risk and avoid situations in which a malfunction or failure of Product could cause loss of human life, bodily injury or damage to property, including data loss or corruption. Before customers use the Product, create designs including the Product, or incorporate the Product into their own applications, customers must also refer to and comply with (a) the latest versions of all relevant TOSHIBA information, including without limitation, this document, the specifications, the data sheets and application notes for Product and the precautions and conditions set forth in the "TOSHIBA Semiconductor Reliability Handbook" and (b) the instructions for the application with which the Product will be used with or for. Customers are solely responsible for all aspects of their own product design or applications, including but not limited to (a) determining the appropriateness of the use of this Product in such design or applications; (b) evaluating and determining the applicability of any information contained in this document, or in charts, diagrams, programs, algorithms, sample application circuits, or any other referenced documents; and (c) validating all operating parameters for such designs and applications. **TOSHIBA ASSUMES NO LIABILITY FOR CUSTOMERS' PRODUCT DESIGN OR APPLICATIONS.**
- **PRODUCT IS NEITHER INTENDED NOR WARRANTED FOR USE IN EQUIPMENTS OR SYSTEMS THAT REQUIRE EXTRAORDINARILY HIGH LEVELS OF QUALITY AND/OR RELIABILITY, AND/OR A MALFUNCTION OR FAILURE OF WHICH MAY CAUSE LOSS OF HUMAN LIFE, BODILY INJURY, SERIOUS PROPERTY DAMAGE AND/OR SERIOUS PUBLIC IMPACT ("UNINTENDED USE").** Except for specific applications as expressly stated in this document, Unintended Use includes, without limitation, equipment used in nuclear facilities, equipment used in the aerospace industry, lifesaving and/or life supporting medical equipment, equipment used for automobiles, trains, ships and other transportation, traffic signaling equipment, equipment used to control combustions or explosions, safety devices, elevators and escalators, and devices related to power plant. **IF YOU USE PRODUCT FOR UNINTENDED USE, TOSHIBA ASSUMES NO LIABILITY FOR PRODUCT.** For details, please contact your TOSHIBA sales representative or contact us via our website.
- Do not disassemble, analyze, reverse-engineer, alter, modify, translate or copy Product, whether in whole or in part.
- Product shall not be used for or incorporated into any products or systems whose manufacture, use, or sale is prohibited under any applicable laws or regulations.
- The information contained herein is presented only as guidance for Product use. No responsibility is assumed by TOSHIBA for any infringement of patents or any other intellectual property rights of third parties that may result from the use of Product. No license to any intellectual property right is granted by this document, whether express or implied, by estoppel or otherwise.
- **ABSENT A WRITTEN SIGNED AGREEMENT, EXCEPT AS PROVIDED IN THE RELEVANT TERMS AND CONDITIONS OF SALE FOR PRODUCT, AND TO THE MAXIMUM EXTENT ALLOWABLE BY LAW, TOSHIBA (1) ASSUMES NO LIABILITY WHATSOEVER, INCLUDING WITHOUT LIMITATION, INDIRECT, CONSEQUENTIAL, SPECIAL, OR INCIDENTAL DAMAGES OR LOSS, INCLUDING WITHOUT LIMITATION, LOSS OF PROFITS, LOSS OF OPPORTUNITIES, BUSINESS INTERRUPTION AND LOSS OF DATA, AND (2) DISCLAIMS ANY AND ALL EXPRESS OR IMPLIED WARRANTIES AND CONDITIONS RELATED TO SALE, USE OF PRODUCT, OR INFORMATION, INCLUDING WARRANTIES OR CONDITIONS OF MERCHANTABILITY, FITNESS FOR A PARTICULAR PURPOSE, ACCURACY OF INFORMATION, OR NONINFRINGEMENT.**
- Do not use or otherwise make available Product or related software or technology for any military purposes, including without limitation, for the design, development, use, stockpiling or manufacturing of nuclear, chemical, or biological weapons or missile technology products (mass destruction weapons). Product and related software and technology may be controlled under the applicable export laws and regulations including, without limitation, the Japanese Foreign Exchange and Foreign Trade Law and the U.S. Export Administration Regulations. Export and re-export of Product or related software or technology are strictly prohibited except in compliance with all applicable export laws and regulations.
- Please contact your TOSHIBA sales representative for details as to environmental matters such as the RoHS compatibility of Product. Please use Product in compliance with all applicable laws and regulations that regulate the inclusion or use of controlled substances, including without limitation, the EU RoHS Directive. **TOSHIBA ASSUMES NO LIABILITY FOR DAMAGES OR LOSSES OCCURRING AS A RESULT OF NONCOMPLIANCE WITH APPLICABLE LAWS AND REGULATIONS.**