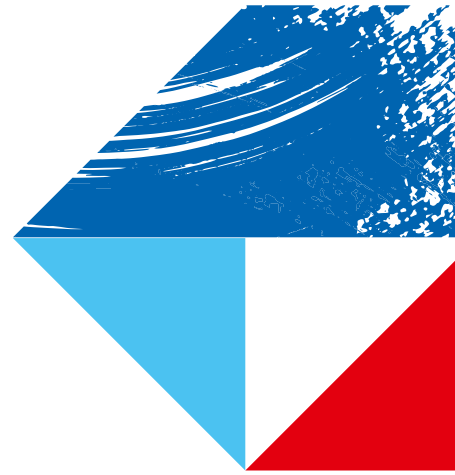


## Lab Report

PROMISE VTrak J5960 JBOD

Rainer Kaese, Senior Manager Business  
Development Storage Products,  
Toshiba Electronics Europe GmbH



### Introduction

Striving for climate neutrality and sustainability is key in modern data centers. The aim: Keeping the power consumption and the overall carbon footprint low, while processing 24/7 an enormous amount of data – data that has been and will be stored on hard disk drives mostly.

Green initiatives affect all areas of the datacenter, from techniques like waste heat re-usage or free cooling, down to the use of sustainably produced inventory and state-of-the-art Hard Disk Drive (HDD) technologies.

### Here's where our lab reports starts:

The new VTrak J5960 4U 60-Bay toploader JBOD from PROMISE is promoted as a “JBOD with green DNA”, including a commitment to environmental protection and sustainable production. Toshiba Electronics Europe GmbH (“Toshiba”) had the chance to test and evaluate this JBOD in the lab, with 60 Toshiba Enterprise HDDs with 18TB data storage capacity being used, giving a total capacity of 1080TB. Toshiba tested for function, performance, acoustics and power consumption, with a focus on evaluating the green-JBOD claimed by PROMISE.



Picture 1: PROMISE VTrak J5960 JBOD in the Toshiba lab.

## Dimensions & mechanical features:

With 4U height and a chassis length of just 666mm, the J5960 is the shortest high density JBOD we have ever seen in the Toshiba HDD lab. It is just as long as a typical 66cm 2U server chassis and fits conveniently into any existing rack. This is a big advantage over other JBODs: With many of them exceeding a 1000mm length and requiring longer racks or tending to create cabling issues.

The hot swappable IO-Modules (IOM) of J5960 are to be pulled out to the front of the JBOD – the connected cabling remains in the back of the unit. This makes field replacement of an IOM very easy, while typical rear-exchanges require access through a bunch of power and signal cables.

An interesting mechanical feature is the lid of the JBOD. It will be attached to the rack and will stay in the rack when the JBOD is pulled out for service. We have tested this, and it works really smoothly. As no lids have to be lifted, this JBOD needs to be pulled only as far as the failing drive requires. Also it can be installed at top locations of the rack.

HDDs are each fixed in their metal trays with 4 screws.

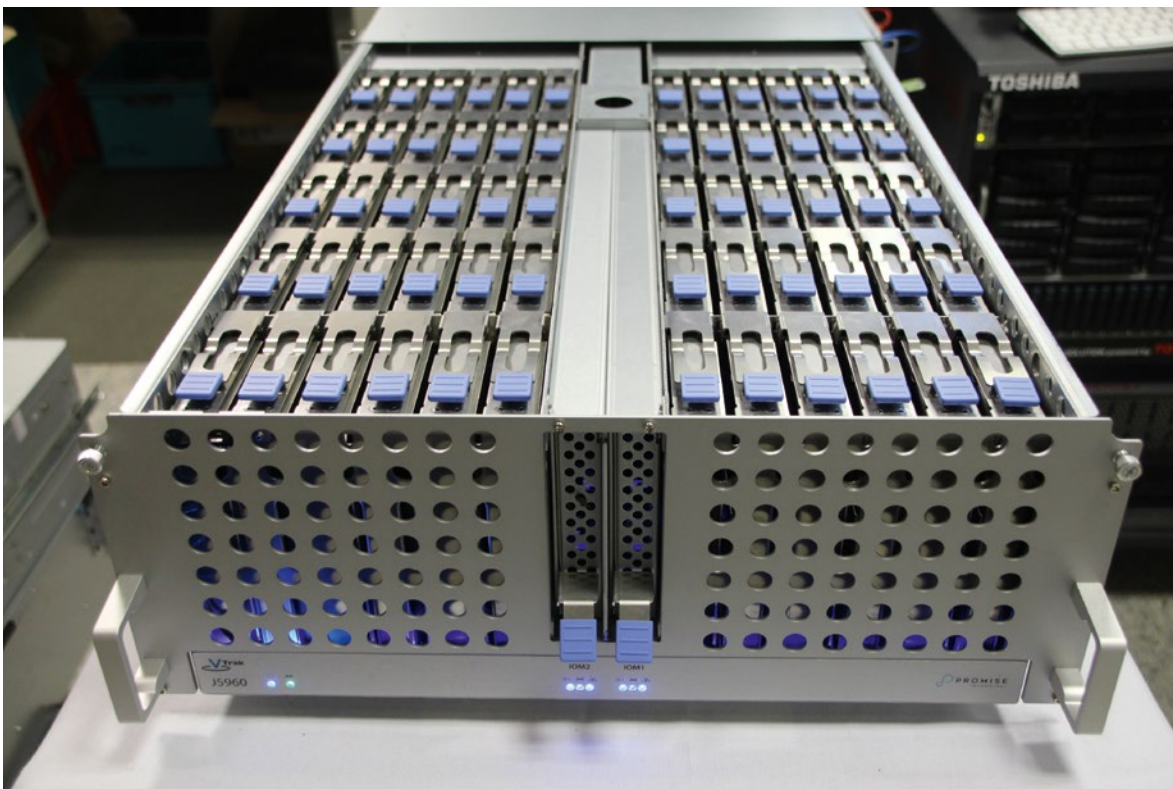
The status LEDs are normally switched off, and are only activated when the lid is removed (i.e. when the JBOD is pulled off the rack). This saves a few Watts of additional power.

## Setup in the Toshiba lab

|                         |   |
|-------------------------|---|
| Model:                  | PROMISE VTrak J5960 4U-SAS-60-D BP                            |
| Firmware:               | 1023  |
| Host OS:                | Linux (Centos 7.9)  |
| Host OS:                | Windows (Windows Server 2019 Standard)                        |
| Host bus adapter (HBA): | Broadcom Avago HBA 9500-16e (Host IF: 8x PCIe-Gen4)           |
| RAID adapter:           | Microchip Adaptec® SmartRAID Ultra 3254-16e/e (16x PCIe-Gen4) |

## Tests with enterprise capacity (nearline) SAS drives:

|             |                     |
|-------------|---------------------|
| Model name: | Toshiba MG09SCA18TE |
| Block size  | 512B emulated       |
| Firmware    | 0104                |



**Picture 2:** J5960 with open lid.

Data-rate outer diameter: 282MB/s

Power consumption

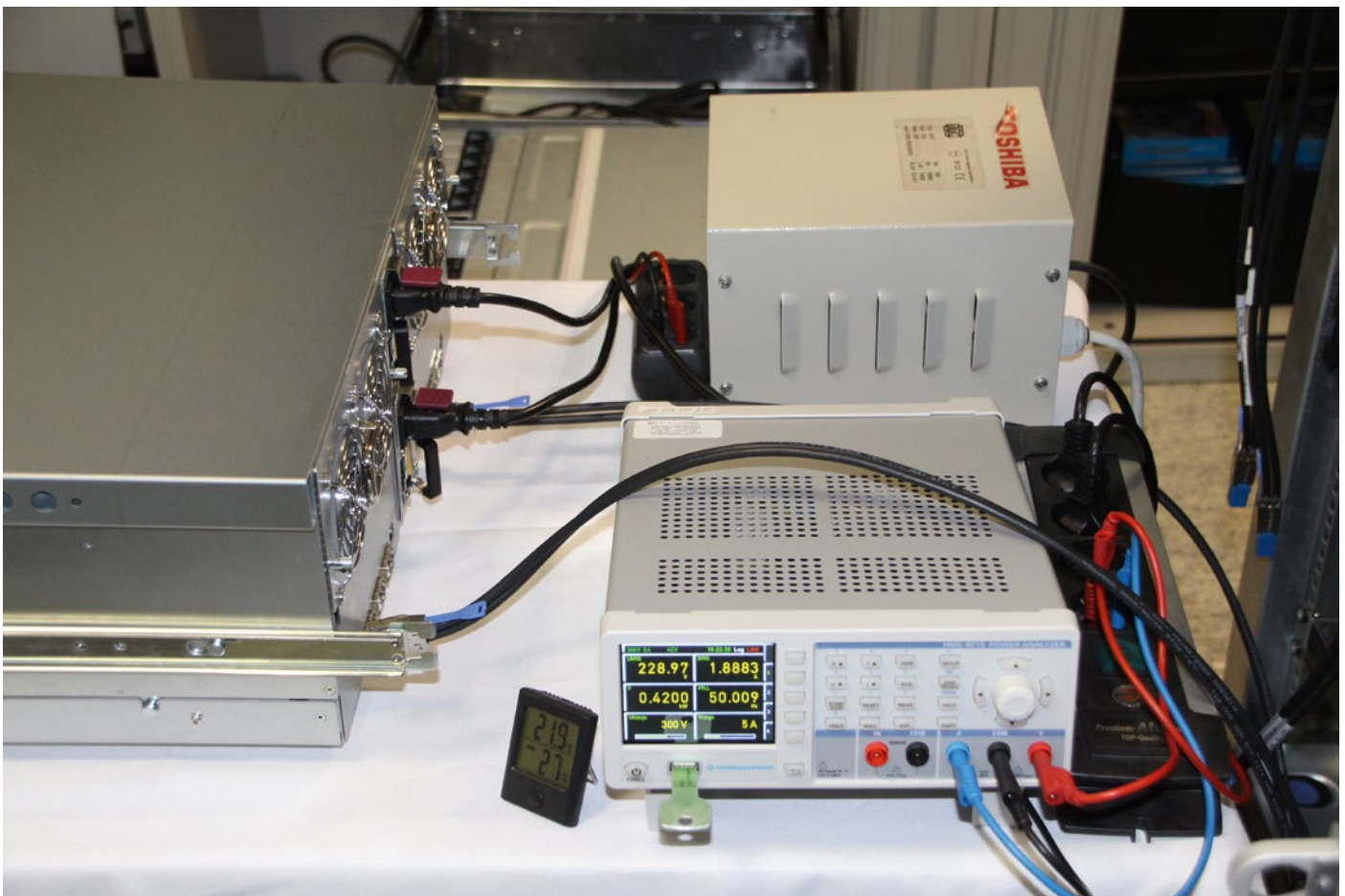
|                   |       |
|-------------------|-------|
| Idle_B:           | 3.36W |
| Sequential write: | 7.62W |
| Sequential read:  | 8.71W |
| Random write:     | 6.64W |
| Random read:      | 9.47W |

**Basic JBOD functions:**

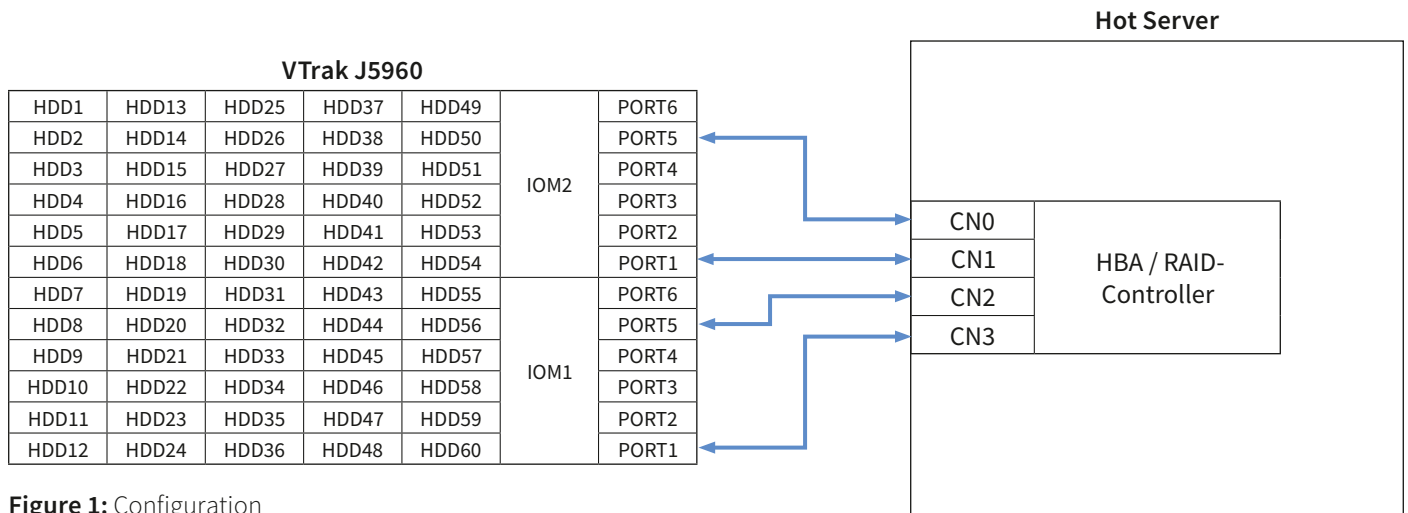
|                       |  |
|-----------------------|--|
| Basic function:       | ok                                     |
| SAS IOM detected:     | ok                                     |
| Hot plug /re-insert:  | ok                                     |
| Smart reading:        | ok                                     |
| Enclosure management: | ok, tested with RJ11 serial connection |



Picture 3: Toshiba HDD MG09SCA18TE in PROMISE tray.



Picture 4: Power measurement setup in the Toshiba HDD lab.



**Figure 1:** Configuration

For precise measurement of the power consumption, we used a high accuracy professional power analyser (R&S HMC8015).

JBOD on, no drives, SAS link to host on: ..... 100W  
 JBOD with drives, maximum start-up power over 500ms: ... 850W  
 JBOD with raw drives at HBA Idle\_B: ..... 305W  
 Lambda (ratio of active and reactive power) ..... 0.96  
 Noise at 1 m distance ..... 80dB  
 Temperature ambient ..... 23°C

VTrak J5960 has a default setting which places all (SAS) drives to Idle when not being accessed for about 2 minutes. About 100W for a dual IOM JBOD without drives is an excellent power value. Dedicated single IOM JBODs can be as low as 80W under the same conditions, but typically dual IOM JBODs are in the 200-300W range. About 300W as “idle with drives” is also an amazingly low value, other 60 bay JBODs start at 400W or more. A high lambda factor of 0.96 means that the ratio of reactive power generated by the power supply units is extremely low (equating to 4% of the total power). The higher (i.e. better) the lambda factor, the smaller the reactive power. Reactive power does not cost and does not create heat, but power supply rails have to be dimensioned for both active and reactive power – so for large data centers a high lambda is an important factor.

### Performance measurements in the Toshiba lab

For tests with SAS drives, we have connected both IOM of the JBOD with two mini-SAS-HD cables each to the 4 mini-SAS-HD ports of the 16e HBA and RAID controller.

This configuration gives a theoretical JBOD/HDD access-bandwidth of 4x 4.8GB/s = 19.2GB/s, but required path aggregation by installing multipath functionality.

As for configuration with HBA, multipath has to be enabled manually in Linux/Windows. A RAID controller (such as the Microchip Adaptec® Ultra-3254 Model) will detect the configurations automatically and invoke a correct multipath setting. Manual multipath and SAS-link aggregation only works for SAS drives. Configuration with SATA drives will still benefit from the aggregation of IOPS of the 60 HDDs, but the sequential band-width is usually limited to one mini-SAS-HD link (4.8GB/s).

We’ve tested several drive configurations with “fio” – flexible IO tester software – measuring sequential, random and mixed workload performance and related power consumption. Tests have been done for individual drives connected via HBA and in RAID configurations as physical drives, as well as for logic drives. For logic drives we also measured the performance and power of a copy (i.e. reading and writing) of a large file.

### JBOD setting remarks

The VTrak J5960’s default setting is “HDD to Idle after 2 min of inactivity”. It takes about 1200ms for the idle HDD to transit from an Idle to an Active state. For RAID configurations, this function is recommended to be disabled – since in a large RAID some HDDs may not be active for more than 2 mins, even if the RAID is under full data load. If some HDDs within the RAID were set to Idle mode, long latencies of 1200ms would occur if these were accessed. Disable Idle mode switching: Via serial cable to IOM management port (115200/8/N/1), CLI command is “enclosure –m –idlep 0”.

The Toshiba tests were performed with “zoning mode 0”, (=default setting). This means “no zoning”, so all of the drives can be accessed from both IOM.

Some RAID controllers or HBAs may reject the connection of 4 cables into two IOM. If so, “zoning mode 1” may be a workaround. Here 30 drives are connected from one SAS port to IOM1 and another 30 drives are connected from one SAS port to IOM2. Configuration appears like two JBOD of 30 drives. Change zoning mode CLI command to “enclosure -m -z 1”.

### All drives parallel as single physical devices (multipath):

OS: Linux (Centos 7.9)  
 HBA/Controller: Broadcom HBA9500-16e  
 HDD: 60x Toshiba MG09SCA18TE  
 Configuration: Dual IOM 2x 2 Mini-SAS HD cables (3m in length)  
 Multipath setup for disks

| Workload               | Power (W) | IOPS  | Bandwidth (MB/s) |
|------------------------|-----------|-------|------------------|
| Sequential write 1024K | 610       |       | 13300            |
| Sequential read 1024K  | 640       |       | 14500            |
| Random write 4K        | 510       | 24100 |                  |
| Random read 4K         | 540       | 33900 |                  |
| Mixed 4K/64K/256K/2M   | 540       | 22600 | 2350             |
| Temperature ambient    | 23°C      |       |                  |
| Temperature HDD min.   | 27°C      |       |                  |
| Temperature HDD max.   | 36°C      |       |                  |

The theoretical maximum bandwidth is 282MB/s (single disk) x 60 = 16.2GB/s. With 14.5GB/s and 20K+ IOPS this configuration is close to the theoretical limit.

Power figures of 640W maximum prove the green credentials of the JBOD. The temperature spread of less than 10°C difference between hottest and coldest drive with the maximum temperature of less than 14°C on top of ambient deliver efficient cooling, supporting reliability and long lifetime of the HDDs.

### All drives as RAID10, Windows physical drive:

OS: Windows Server 2019  
 RAID/Adapter: Microchip Adaptec® SmartRAID Ultra 3254-16e/e (16x PCIe-Gen4)  
 HDD: 60x Toshiba MG09SCA18TE  
 Configuration: Dual IOM 2x 2 Mini-SAS HD cables (3m in length)

| Workload               | Power (W) | IOPS  | Bandwidth (MB/s) |
|------------------------|-----------|-------|------------------|
| Sequential write 1024K | 510       |       | 8600             |
| Sequential read 1024K  | 570       |       | 15300            |
| Random write 4K        | 600       | 12800 |                  |
| Random read 4K         | 730       | 9900  |                  |
| Mixed 4K/64K/256K/2M   | 680       | 6100  | 1800             |
| Idle (raid backgr.)    | 470       |       |                  |
| Temperature ambient    | 25°C      |       |                  |
| Temperature HDD min.   | 29°C      |       |                  |
| Temperature HDD max.   | 38°C      |       |                  |

### Script 1 – All drives parallel as single physical devices (multipath):

```

  fio --direct=1 --bs=1m --iodepth=16 --size=32g --ioengine=libaio --group_reporting --rw=write --output=seqwrite.log --name=/dev/mapper/mpath{a..z} -- name=/dev/mapper/mpatha{a..z} --name=/dev/mapper/mpathb{a..h}

  fio --direct=1 --bs=1m --iodepth=16 --size=32g --ioengine=libaio --group_reporting --rw=read --output=seqread.log --name=/dev/mapper/mpath{a..z} -- name=/dev/mapper/mpatha{a..z} --name=/dev/mapper/mpathb{a..h}

  fio --direct=1 --bs=4k --iodepth=16 --size=512m --ioengine=libaio --group_reporting --rw=randwrite --output=randwrite.log --name=/dev/mapper/mpath{a..z} -- name=/dev/mapper/mpatha{a..z} --name=/dev/mapper/mpathb{a..h}

  fio --direct=1 --bs=4k --iodepth=16 --size=512m --ioengine=libaio --group_reporting --rw=randread --output=randread.log --name=/dev/mapper/mpath{a..z} -- name=/dev/mapper/mpatha{a..z} --name=/dev/mapper/mpathb{a..h}

  fio --direct=1 --bssplit=4k/20:64k/50:256k/20:2M/10 --iodepth=16 --size=8g --ioengine=libaio --group_reporting --rw=randrw --output=mixed.log --name=/dev/mapper/mpath{a..z} -- name=/dev/mapper/mpatha{a..z} --name=/dev/mapper/mpathb{a..h}
  
```

## Script 2 – All drives as RAID10, Windows physical drive:

```

fio --filename=\\.\Physicaldrive1 --direct=1 --rw=write --bs=1m --iodepth=16 --time_based --runtime=300
--group_reporting --name=job1 --ioengine=windowsaio --thread --numjobs=64 --norandommap --randrepeat=0
--output=seqwritephysical.log

fio --filename=\\.\Physicaldrive1 --direct=1 --rw=read --bs=1m --iodepth=16 --time_based --runtime=300
--group_reporting --name=job1 --ioengine=windowsaio --thread --numjobs=64 --norandommap --randrepeat=0
--output=seqreadphysical.log

fio --filename=\\.\Physicaldrive1 --direct=1 --rw=randwrite --bs=4k --iodepth=16 --time_based --runtime=300
--group_reporting --name=job1 --ioengine=windowsaio --thread --numjobs=64 --norandommap --randrepeat=0
--output=randwritephysical.log

fio --filename=\\.\Physicaldrive1 --direct=1 --rw=randread --bs=4k --iodepth=16 --time_based --runtime=300
--group_reporting --name=job1 --ioengine=windowsaio --thread --numjobs=64 --norandommap --randrepeat=0
--output=randreadphysical.log

fio --filename=\\.\Physicaldrive1 --direct=1 --rw=randrw --bssplit=4k/20:64k/50:256k/20:2M/10 --iodepth=16
--time_based --runtime=300 --group_reporting --name=job1 --ioengine=windowsaio --thread --numjobs=64
--norandommap --randrepeat=0 --output=mixedphysical.log

```

As writing in RAID10 always goes to two mirrored devices in parallel, the write speed drops to half the value. Idle power in RAID configurations is almost at the level of active power since the RAID controller is always accessing the drives for some background consistency checking.

## All drives as RAID10, Windows logic volume:

OS: Windows Server 2019  
RAID/Adapter: Microchip Adaptec® SmartRAID  
Ultra 3254-16e/e (16x PCIe-Gen4)  
HDD: 60x Toshiba MG09SCA18TE  
Configuration: Dual IOM 2x 2 Mini-SAS HD cables  
(3m in length)

| Workload               | Power (W) | IOPS  | Bandwidth (MB/s) |
|------------------------|-----------|-------|------------------|
| Sequential write 1024K | 520       |       | 6900             |
| Sequential read 1024K  | 550       |       | 15000            |
| Random write 4K        | 520       | 11100 |                  |
| Random read 4K         | 540       | 29500 |                  |
| Mixed 4K/64K/256K/1M   | 550       | 8100  | 2400             |
| Windows copy           | 500       |       | 550              |
| Idle (raid backgr.)    | 470       |       |                  |
| Temperature ambient    | 25°C      |       |                  |
| Temperature HDD min.   | 29°C      |       |                  |
| Temperature HDD max.   | 39°C      |       |                  |

## Script 3 – All drives at RAID10, Windows logic volume:

```

fio --filename=test --size=1T --direct=1 --rw=write --bs=1m --iodepth=16 --time_based --runtime=300
--group_reporting --name=job1 --ioengine=windowsaio --thread --numjobs=64 --norandommap --randrepeat=0
--output=seqwritelogical.log

fio --filename=test --size=1T --direct=1 --rw=read --bs=1m --iodepth=16 --time_based --runtime=300 --group_
reporting --name=job1 --ioengine=windowsaio --thread --numjobs=64 --norandommap --randrepeat=0 --out-
put=seqreadlogical.log

fio --filename=test --size=1T --direct=1 --rw=randwrite --bs=4k --iodepth=16 --time_based --runtime=300
--group_reporting --name=job1 --ioengine=windowsaio --thread --numjobs=64 --norandommap --randrepeat=0
--output=randwritelogical.log

fio --filename=test --size=1T --direct=1 --rw=randread --bs=4k --iodepth=16 --time_based --runtime=300
--group_reporting --name=job1 --ioengine=windowsaio --thread --numjobs=64 --norandommap --randrepeat=0
--output=randreadlogical.log

fio --filename=test --size=1T --direct=1 --rw=randrw --bssplit=4k/20:64k/50:256k/20:2M/10 --iodepth=16
--time_based --runtime=300 --group_reporting --name=job1 --ioengine=windowsaio --thread --numjobs=64
--norandommap --randrepeat=0 --output=mixedlogical.log

```

This benchmark for a logic volume in Windows does not exercise the entire drive size, but operations on a test file size of 1TB. Hence it is more realistic to actual use cases. The more than 32k IOPS is due to the fact that the seek operation does not cover the entire capacity range. This also results in significantly lower power consumption for write operations, compared to full 500TB seeks for physical drives from above.

## Configuration with SATA drives

We also tested the VTrak J5960 JBOD with SATA drives (Model MG09ACA18TE). As the SATA interface has only one signal path, we used a single IOM configuration (IOM2 was plugged out, and all four cables were attached to IOM1).

The sequential performance is typically limited to the level of one mini-SAS HD cable (about 4.3GB/s for sequential reading and writing). IOPS values match well with the SAS based results, as these are not bandwidth limited (10k IOPS for full capacity, 30k IOPS for logic drives with 1TB data range).

The power consumption with SATA HDDs and single IOM operation is about 70~80W lower than for the equivalent setup with SAS drives and a dual IOM. This is due to the single SATA drive itself having about 0.4~0.8W lower power consumption (depending on load) than the same drive with an SAS interface and the missing second IOM.

## System considerations

A network bandwidth of 100Gbit/s and a storage bandwidth of 12.5GB/s do match quite well. For systems requiring such highest sequential performance we recommend using the nearline SAS enterprise capacity HDDs of the Toshiba MG-Series in dual IOM setups.

If network bandwidth is 25Gbit/s or lower and highest capacity is the main target, nearline SATA drives in single IOM configurations may be used as well, as the storage bandwidth is typically limited to 4GB/s, which again matches to the 25Gbit/s network link speed.

## Summary

The PROMISE VTrak J5960 is an energy-efficient and easy-to-maintain 60 bay top-loader JBOD. In its class it's the most compact model with a total length of just 666mm. Fully populated with Toshiba 18TB drives, it offers a total capacity of more than one PB at just around 500W of power consumption.

Storage configurations based in this JBOD have been evaluated and Toshiba was able to show aggregates performances of 60 HDDs up to 15GB/s sequential throughput and over 30k of random IOPS, while the efficient cooling and airflow management of the JBOD supports long lifetime and high reliability of the HDDs by keeping their temperature in full operation always lower than 14°C above ambient temperature.

### Note of thanks to our partners

Critical to the success of this lab report has been the collaboration. "I would like to thank all our partners for the support on this project. PROMISE provided the green JBOD Vtrak J5960 to us, Microchip supported with the raid controller Adaptec SmartRAID Ultra 3254-16e /e and finally Broadcom contributed the Host-Bus-Adapter HBA 9500-16e. Together with our Toshiba Hard Disk Drives, I was able to build up a data center setting in our laboratory, showing a new level of impressive performance results."

Rainer Kaese, Senior Manager Business Development,  
Storage Products Division, Toshiba Electronics Europe GmbH

# TOSHIBA

Toshiba Electronics Europe GmbH

Hansaallee 181  
40549 Düsseldorf  
Germany

[info@toshiba-storage.com](mailto:info@toshiba-storage.com)  
[toshiba-storage.com](https://toshiba-storage.com)

Copyright © 2022 Toshiba Electronics Europe GmbH. All rights reserved.  
Product specifications, configurations, prices and component / options  
availability are all subject to change without notice. Product design,  
specifications and colours are subject to change without notice and may  
vary from those shown. Errors and omissions excepted.