

Product Brief

TC358766 Display Bridge for DisplayPort™ Connectivity

Highlights

- Display bridge for connectivity of DisplayPort™ panels to the Application Processors with a Mobile Industry Processor Interface (MIPI) Display Serial Interface (DSI) or Display Pixel Interface (DPI).
- Solutions based on the latest versions of the industry standard MIPI DSI 1.01 to ensure high speed data rates of up to 1 Gbps per lane and MIPI DPI 2.0 to ensure speed of 154 MHz.
- Display port transmitter features VESA Display-Port 1.1a standard that supports 1.62 or 2.7 Gbps per lane; and configurable to single or dual lane per Main Link.
- Supports high-resolution DisplayPort panels up to WUXGA 1920 x 1200 at refresh rates of 60 fps.
- Applicable to products such as tablets, eBooks, netbooks and laptops.

Description

The Toshiba TC358766 display bridge is optimized for handheld devices using a Host Processor with Mobile Industry Processor Interface (MIPI) Display Serial Interface (DSI) or Display Pixel Interface (DPI) connectivity. The TC358766 functions as a protocol bridge enabling the video stream from the Host Processor DSI link or DPI link to drive a single or two independent DisplayPort panel(s). The TC358766 has a DSI receiver that can be configured to support up to four DSI lanes with data rates up to 1 Gbps per lane, for maximum total bandwidth of 4 Gbps. It also has a DPI receiver that can be configured to support 16, 18 or 24 bits parallel interfaces and can be operated up to 154 MHz parallel clock. The DisplayPort transmitter can be configured to support a single Main Link with one or 2 lanes or dual Main Links with single lane per link. The data throughput is 1.62 Gbps or 2.7 Gbps per lane of the DisplayPort Main Link.

As the DisplayPort interface uses fewer lines and power consumption is more efficient, availability and usage of high-resolution DisplayPort panels is becoming a feature in handheld applications such as tablets and netbooks. The Toshiba

TC358766 display bridge can support displays with resolution up to 1920 x 1200 (WUXGA) at 24 bits per pixel, at refresh rate of 60 frames per second. The TC358766 can support both an embedded DisplayPort panel (eDP) or an external DP panel at one time or simultaneously. The TC358766 bridge supports audio streaming from the Application Processor through the I²S interface. The audio is transmitted through the DisplayPort link if the application requires, i.e. connecting to an external panel.

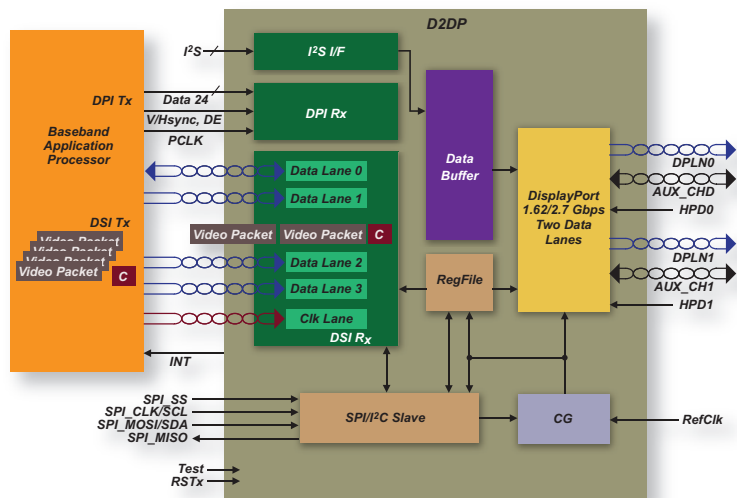
The TC358766 is a 120-pin device, in a small package size of 6 mm x 6 mm, 0.50 mm ball pitch designed for portable products.

Features

DSI Receiver

- MIPI DSI: v1.01 / MIPI D-PHY: v1.0 compliant.
- Up to four (4) data lanes with bi-directional support on Data Lane 0.
- Maximum speed at 1 Gbps/lane.
- Video input data formats:
 - RGB-565, RGB-666 and RGB-888.
 - New DSI V1.02 data type support: 16-bit YCbCr 422
- Interlaced video mode is not supported.

TC358766XBG System Block Diagram



Regional Sales Offices

NORTHWEST

San Jose, CA
TEL: (408) 526-2400
FAX: (408) 526-2410

SOUTHWEST

Irvine, CA
TEL: (949) 623-2900
FAX: (949) 474-1330

El Paso, TX

TEL: 915-771-8156
FAX: 915-771-8178

MIDWEST

Wixom, MI
TEL: (248) 347-2607
FAX: (248) 347-2602

Buffalo Grove, IL

TEL: (847) 484-2400
FAX: (847) 541-7287

NORTHEAST

Marlboro, MA
TEL: (508) 481-0034
FAX: (508) 481-8828

Parsippany, NJ

TEL: (973) 541-4715
FAX: (973) 541-4716

SOUTHEAST

Duluth, GA
TEL: (770) 931-3363
FAX: (770) 931-7602

DPI Receiver

- Maximum speed at 154 MHz.
- Video input data formats: RGB-565, RGB-666 and RGB-888.

I²S Audio Interface

- Supports sampling frequencies of 32, 44.1, 48, 88.2, 96, 176.4 & 192 KHz.
- Supports up to 2 audio channels.
- Optionally inserts IEC60958 status bits and preamble bits per channel.

DisplayPort Interface

- High-speed serial bridge chip using VESA DisplayPort 1.1a standard.
- Supports one dual-lane port for high bandwidth application or two single-lane ports for connection to two DisplayPort panels.
- Supports 1.62 or 2.7 Gbps/lane data rate with voltage swings @0.4, 0.6, 0.8 or 1.2V
- Support of pre-emphasis levels of 0, 3.5 dB and 6 dB.
- AUX channel supported at 1 Mbps.
- Supports HDCP encryption Version 1.3 Amendment for DisplayPort Revision 1.1.
- SSCG with ~30 KHz modulation to reduce EMI.

I²C Interface

- I²C slave interface for debugging and/or chip register set access.

SPI Interface

- SPI slave interface for chip register set access.
- SPI interface support for up to 30 MHz operation.

Clock Source

- DisplayPort clock source can be derived from an external clock input or from the DSI clock. Acceptable clock values from external source or DSI clock derivatives are 13, 26, 19.2 or 38.4 MHz.

Power Supply Inputs

- Core and MIPI D-PHY: 1.2V
- Digital I/O: 1.8V
- DisplayPort PHY and PLL: 1.8V and 1.2V

Package

- TC358766XBG: 120-pin, 6.0 x 6.0 mm², 0.5 mm ball pitch, 1.0 mm height

- The information contained herein is subject to change without notice.
- The information contained herein is presented only as a guide for the applications of our products. No responsibility is assumed by TOSHIBA for any infringements of patents or other rights of the third parties which may result from its use. No license is granted by implication or otherwise under any patent or patent rights of TOSHIBA or others.
- TOSHIBA is continually working to improve the quality and reliability of its products. Nevertheless, semiconductor devices in general can malfunction or fail due to their inherent electrical sensitivity and vulnerability to physical stress. It is the responsibility of the buyer, when utilizing TOSHIBA products, to comply with the standards of safety in making a safe design for the entire system, and to avoid situation in which a malfunction or failure of such TOSHIBA products could cause loss of human life, bodily injury or damage to property. In developing your designs, please ensure that TOSHIBA products are used within specified operating ranges as set forth in the most recent TOSHIBA products specifications. Also, please keep in mind the precautions and conditions set forth in the "Handling Guide for Semiconductor Devices," or "TOSHIBA Semiconductor Reliability Handbook" etc.
- The Toshiba products listed in this document are intended for usage in general electronics applications (computer, personal equipment, office equipment, measuring equipment, industrial robotics, domestic appliances, etc.). These Toshiba products are neither intended nor warranted for usage in equipment that requires extraordinarily high quality and/or reliability or a malfunction or failure of which may cause loss of human life or bodily injury ("Unintended Usage"). Unintended Usage include atomic energy control instruments, airplane or spaceship instruments, transportation instruments, traffic signal instruments, combustion control instruments, medical instruments, all types of safety devices, etc. Unintended usage of Toshiba products listed in this document shall be made at the customer's own risk.
- The products described in this document may include products subject to foreign exchange and foreign trade laws.
- The products contained herein may also be controlled under the U.S. Export Administration Regulations and/or subject to the approval of the U.S. Department of Commerce or U.S. Department of State prior to export. Any export or re-export, directly or indirectly in contravention of any of the applicable export laws and regulations, is hereby prohibited.

MIPI is a licensed trademark of MIPI Alliance, Inc. in the U.S. and other jurisdictions

DisplayPort is a digital display interface standard produced by the Video Electronics Standards Association (VESA) and is a trademark of VESA.

www.Toshiba.com/taec

TOSHIBA
Leading Innovation >>>

TC358766 Display Bridge for DisplayPort™ Connectivity