

TransferJet™ Enabled SDIO IC Module, TransferJet USB Adaptor and TransferJet-Enabled microSDIO Card

Simple Operation. Ultra-Fast Data Transfer. Safe Connection.

Quick and Easy Implementation of the TransferJet™ Wireless Transfer Technology

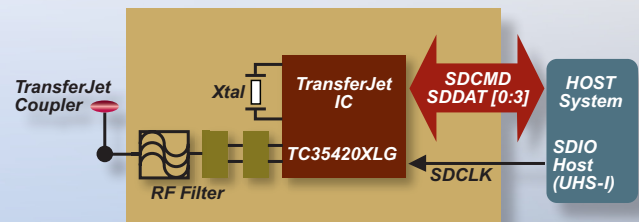
Toshiba delivers its TransferJet technology in three new formats: The industry's smallest¹ TransferJet-enabled SDIO IC module, and the industry's first² TransferJet USB adaptor and the first³ TransferJet-enabled microSDIO card. These devices are designed to easily deploy and proliferate TransferJet technology for the high-speed transfer of large multimedia files between consumer electronics products through close proximity, or simply by touching two devices together. There is no need for complex setup or device pairing. TransferJet is many times faster than various Wi-Fi technologies in real world conditions and has a physical layer transmission rate of 560 Mbps with effective speed of 375 Mbps and virtually without degradations. For example a one-hour TV program (170 MB in MPEG4) can be transferred in just a few seconds. In addition, short transmission distance is foolproof from hacking and there is no need for complex security measures or set up procedures.

Smallest Toshiba TJM35420XLG TransferJet SDIO IC Module

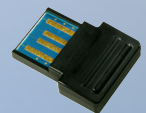


- Industries smallest configuration (4.8 x 4.8 x 1.0 mm) for smartphones and other portable devices.
- Simplifies implementation and design challenges associated with compact consumer electronics products.
- High-integration module contains the TC35420XLG TransferJet transceiver IC, RF components and crystal oscillator.
- Transmission power is below -70 dBm/MHz (average).
- Software development kit is available.

Block Diagram

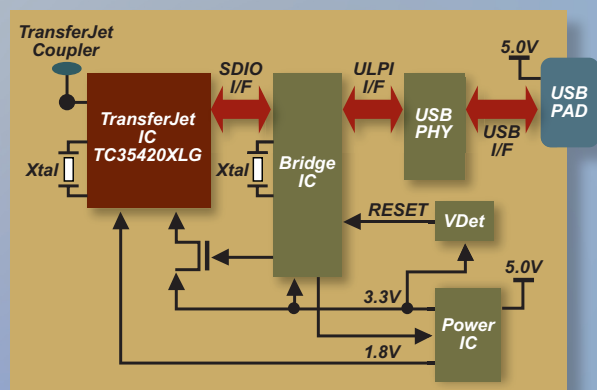


TJM35420UXG TransferJet USB Adaptor



- Implements TransferJet communications easily, conveniently and efficiently in larger consumer electronic products like notebooks, PCs and other digital gadgets.
- USB adaptor integrates TC35420 TransferJet transceiver IC, RF components, TransferJet coupler and crystal oscillator in a single device.
- Transmission power is below -70 dBm/MHz (average).

Block Diagram



Simple Operation. Ultra-Fast Data Transfer. Safe Connection.

CONTACT INFORMATION

REGIONAL SALES OFFICES

NORTHWEST

San Jose, CA

TEL: (408) 526-2400

FAX: (408) 526-2410

SOUTHWEST

Irvine, CA

TEL: (949) 623-2900

FAX: (949) 474-1330

El Paso, TX

TEL: 915-771-8156

FAX: 915-771-8178

MIDWEST

Wixom, MI

TEL: (248) 347-2607

FAX: (248) 347-2602

Buffalo Grove, IL

TEL: (847) 484-2400

FAX: (847) 541-7287

NORTHEAST

Marlboro, MA

TEL: (508) 481-0034

FAX: (508) 481-8828

Parsippany, NJ

TEL: (973) 541-4715

FAX: (973) 541-4716

SOUTHEAST

Duluth, GA

TEL: (770) 931-3363

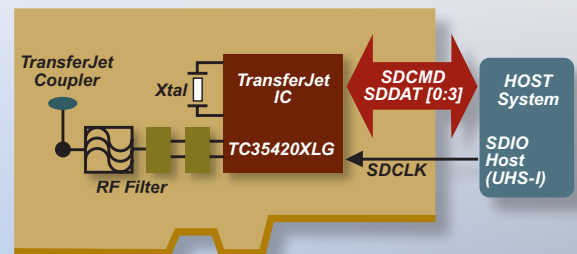
FAX: (770) 931-7602

TJM35420USG TransferJet-enabled microSDIO card



- Full support for the TransferJet implementation for smartphone, tablets and other small, portable devices.
- Integrates the TC35420XLG TransferJet transceiver IC, RF components, TransferJet coupler and crystal oscillator in a single microSD card.
- Transmission power is below -70 dBm/MHz (average).
- Software development kit is available.

Block Diagram



The TransferJet standard is promoted by the TransferJet consortium whose membership consists of 45 companies (as of Oct. 2012) including Toshiba.

¹Smallest as of Oct. 1, 2012.

²First as of Oct. 1, 2012.

³First as of Oct. 1, 2012.

- TransferJet™ is a trademark licensed by the TransferJet™ consortium.
- All trademarks are of their respective manufacturer and may be registered in certain jurisdictions.
- The information contained herein is subject to change without notice.
- The information contained herein is presented only as a guide for the applications of our products. No responsibility is assumed by TOSHIBA for any infringements of patents or other rights of the third parties which may result from its use. No license is granted by implication or otherwise under any patent or patent rights of TOSHIBA or others.
- TOSHIBA is continually working to improve the quality and reliability of its products. Nevertheless, semiconductor devices in general can malfunction or fail due to their inherent electrical sensitivity and vulnerability to physical stress. It is the responsibility of the buyer, when utilizing TOSHIBA products, to comply with the standards of safety in making a safe design for the entire system, and to avoid situation in which a malfunction or failure of such TOSHIBA products could cause loss of human life, bodily injury or damage to property. In developing your designs, please ensure that TOSHIBA products are used within specified operating ranges as set forth in the most recent TOSHIBA products specifications. Also, please keep in mind the precautions and conditions set forth in the "Handling Guide for Semiconductor Devices," or "TOSHIBA Semiconductor Reliability Handbook" etc.
- The Toshiba products listed in this document are intended for usage in general electronics applications (computer, personal equipment, office equipment, measuring equipment, industrial robotics, domestic appliances, etc.). These Toshiba products are neither intended nor warranted for usage in equipment that requires extraordinarily high quality and/or reliability or a malfunction or failure of which may cause loss of human life or bodily injury ("Unintended Usage"). Unintended Usage include atomic energy control instruments, airplane or spaceship instruments, transportation instruments, traffic signal instruments, combustion control instruments, medical instruments, all types of safety devices, etc. Unintended usage of Toshiba products listed in this document shall be made at the customer's own risk.
- The products described in this document may include products subject to foreign exchange and foreign trade laws.
- The products contained herein may also be controlled under the U.S. Export Administration Regulations and/or subject to the approval of the U.S. Department of Commerce or U.S. Department of State prior to export. Any export or re-export, directly or indirectly in contravention of any of the applicable export laws and regulations, is hereby prohibited.