

SiC MOSFET module application note Gate drive

Table of contents

1. Gate drive for SiC MOSFET Module.....	3
1.1. Scope.....	3
2. Gate drive circuit.....	3
2.1. Gate drive circuit for SiC MOSFET module.....	3
2.2. Gate drive current.....	4
2.3. Gate drive power.....	4
3. Design of gate driver.....	5
3.1. Gate voltage.....	5
3.2. Gate resistance.....	5
3.3 Countermeasures for self-turn-on.....	5
3.4 Dead time.....	7
3.5 Gate surge voltage.....	7
RESTRICTIONS ON PRODUCT USE.....	8

1. Gate drive for SiC MOSFET Module

1.1. Scope

The scope of this application note covers the following products.

Part No.	Drain-source voltage rating (V_{DSS})	Drain current (I_D)	Gate-source voltage rating (V_{GSS})	Recommended gate drive voltage ($+V_{GG}/-V_{GG}$)
MG600Q2YMS3	1200V	600A	+25V/-10V	+20V/-6V
MG400V2YMS3	1700V	400A	+25V/-10V	+20V/-6V
MG800FXF2YMS3	3300V	800A	+25V/-10V	+20V/-6V

Table 1.1.1 Product covered in this application note

2. Gate drive circuit

2.1. Gate drive circuit for SiC MOSFET module

An example of gate drive circuit for the SiC MOSFET module is shown in Fig. 2.1.1.

In the case of the example circuit, when a gate-on signal is given between the anode (pins 6 and 7) and the cathode (pins 5 and 8), transistor Q1 is switched on, transistor Q2 is switched off and the gate-on voltage is applied to the gate of the SiC MOSFET. When a gate-off signal changes to off-state, transistor Q1 is switched off, transistor Q2 is switched on, and the gate-off voltage is applied to the gate of the SiC MOSFET.

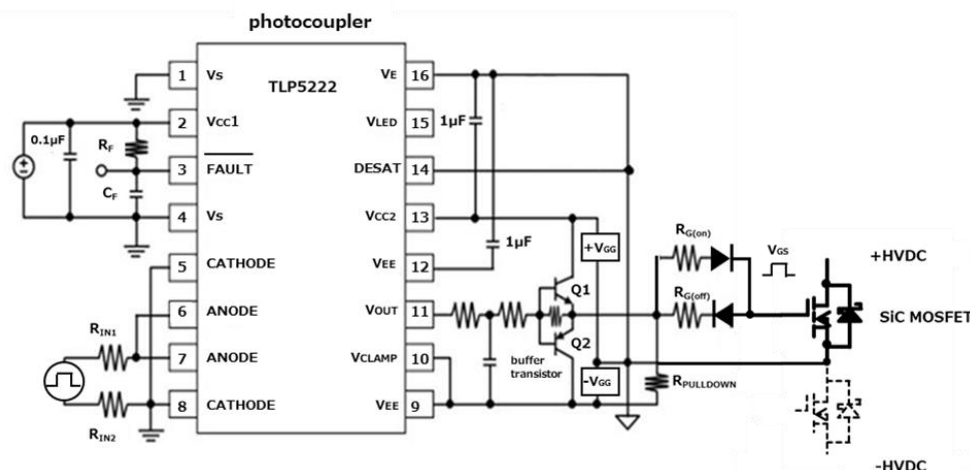


Figure 2.1.1 An example of the gate drive circuit for SiC MOSFET

It is recommended to design the gate driver board for mounting on the module.

To avoid interference from external electromagnetic induction, design the gate drive circuit to minimize the length and the area inside of the circuit wire of the buffer transistors and the gate signal terminal of the SiC MOSFET module. Insert the gate resistors ($R_{G(on)}$ and $R_{G(off)}$) nearby the gate terminal. Select a photocoupler that satisfy the required isolation voltage and dv/dt . Design the gate circuit to satisfy the required space and creepage distance.

2.2. Gate drive current

The maximum gate current required for turn-on, $I_{g(on)max}$, can be expressed by the equation (2.2.1) using the difference of gate positive bias voltage ($+V_{GG}$) and negative bias voltage ($-V_{GG}$) and the internal gate resistance r_g of the SiC MOSFET module. Refer to the datasheet of the products for the r_g value.

$$I_{g(on)max} = ((+V_{GG}) - (-V_{GG})) / (R_{G(on)} + r_g) \quad (2.2.1)$$

The maximum current during the turn-off period ($I_{g(off)max}$) can be expressed by the following equation (2.2.2)

$$I_{g(off)max} = ((+V_{GG}) - (-V_{GG})) / (R_{G(off)} + r_g) \quad (2.2.2)$$

Select buffer transistors with a current rating large enough for both $I_{g(on)max}$ and $I_{g(off)max}$ (two times greater than the $I_{g(on)max}$ and $I_{g(off)max}$ is recommended).

The voltage rating of the buffer transistor must be higher than the absolute maximum voltage between gate and source (V_{GSS}) of the SiC MOSFET.

2.3. Gate drive power

The average power consumption P_g of the gate drive circuit can be expressed by equation (2.3.1) using the switching frequency f_{SW} of the SiC MOSFET.

$$P_g = E_g \times f_{SW} = ((+V_{GG}) - (-V_{GG})) \times Q_{gtotal} \times f_{SW} \quad (2.3.1)$$

Here, Q_{gtotal} is the amount of the charge stored in the gate capacitance while the gate voltage changes from $-V_{GG}$ to $+V_{GG}$, and the Q_{gtotal} can be read from the Refer to the datasheet of the products for the $V_{GS}-Q_g$ characteristic curve.

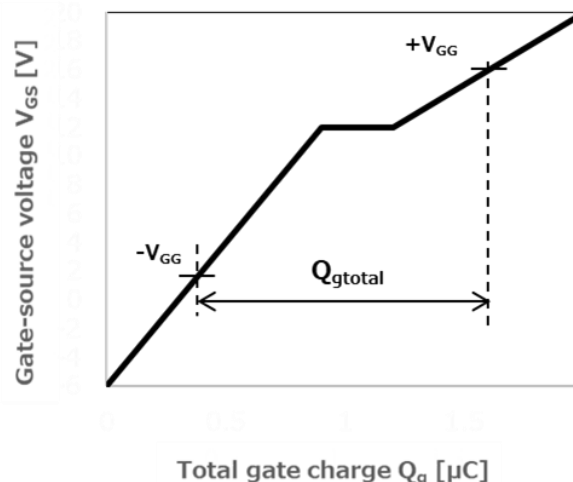


Figure 2.3.2 Definition of Q_{gtotal}

The heat dissipation for the buffer transistors must be greater than the power consumption (two times greater than the P_g is recommended).

3. Design of gate driver

3.1. Gate voltage

Refer to the datasheet for recommended gate drive voltage. Positive and negative gate voltage surges may occur between the gate and source terminals during the switching. The gate voltage must be within the absolute maximum ratings on the datasheet of the products during all states of the SiC MOSFET, including the "switching", "on-state" and "off-state". Care should be taken when one of the SiC MOSFET is switching, which may cause surges between the gate and source terminals of the non-switching-side SiC MOSFET.

3.2. Gate resistance

The switching performance is strongly affected by the gate resistance ($R_{G(on)}$ and $R_{G(off)}$) added to the SiC MOSFET. The peak gate current during switching is determined by the $R_{G(on)}$ and $R_{G(off)}$. It is necessary to decrease the gate resistance and increase the gate current in order to operate the high-speed switching. However, this may result in positive and negative surges between the gate and source terminals. A faster switching speed increases the voltage surge that is generated between the drain and source terminals. Select the optimal $R_{G(on)}$ and $R_{G(off)}$ which do not exceed the gate-source and the drain-source absolute maximum ratings based on the evaluation of your system.

The power consumption of the $R_{G(on)}$ and $R_{G(off)}$ increases in proportion to the switching frequency, therefore select a resistor with optimal power rating.

The method of calculation of power consumption P_g of the gate drive circuit is described in 2.3. The power rating of $R_{G(on)}$ and $R_{G(off)}$ must have a power rating greater than the power consumed at the $R_{G(on)}$ and $R_{G(off)}$ (two times greater than the P_g is recommended).

Insert the gate resistors ($R_{G(on)}$ and $R_{G(off)}$) near the gate terminal to the extent possible.

3.3 Countermeasures for self-turn-on

When the SiC MOSFET is used in inverters or full-bridge circuits (bridged configuration), the change in the V_{DS} of the switching-side SiC MOSFET cause the displacement current i . The displacement current i charges the capacitance between the gate and drain $C_{gate-drain}$ of non-switching-side SiC MOSFET (the red line in the figure 3.3.1) and cause the voltage rise between the gate and source terminals. The voltage rise may cause a malfunction of the non-switching-side SiC MOSFET, the phenomena called self-turn-on.

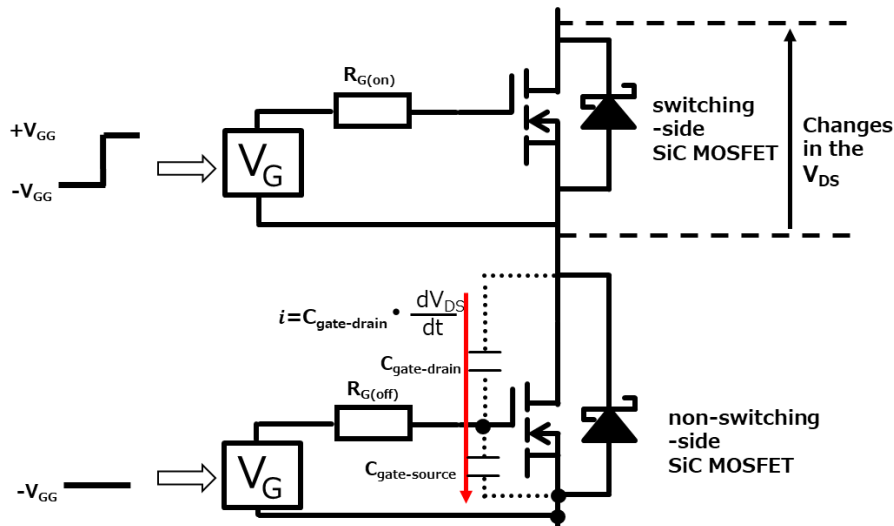


Figure 3.3.1 Self-turn-on caused by displacement current i generated by dv/dt

Inserting a capacitor (C_{gs}) between the gate and the source is one of the countermeasures to prevent the unintended gate voltage rise that cause a self-turn-on. (figure 3.3.2) The capacitor should be placed close to the gate and the source terminals.

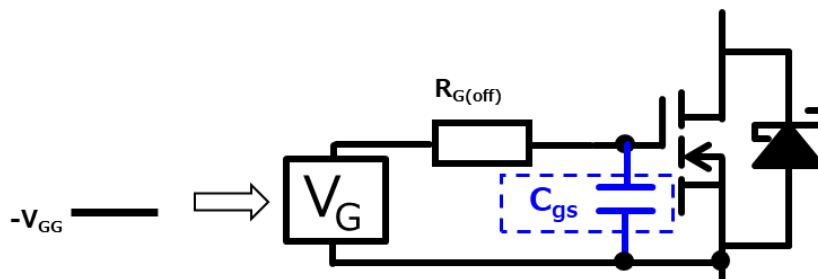


Figure 3.3.2 An example of a gate drive circuit with C_{gs}

It is also recommended to use an active miller clamp. The active miller clamp is a function which bypasses the gate resistor $R_{G(off)}$ during off-state of the SiC MOSFET and clamps the gate voltage to the negative bias voltage ($-V_{GG}$) as shown in Fig. 3.3.3.

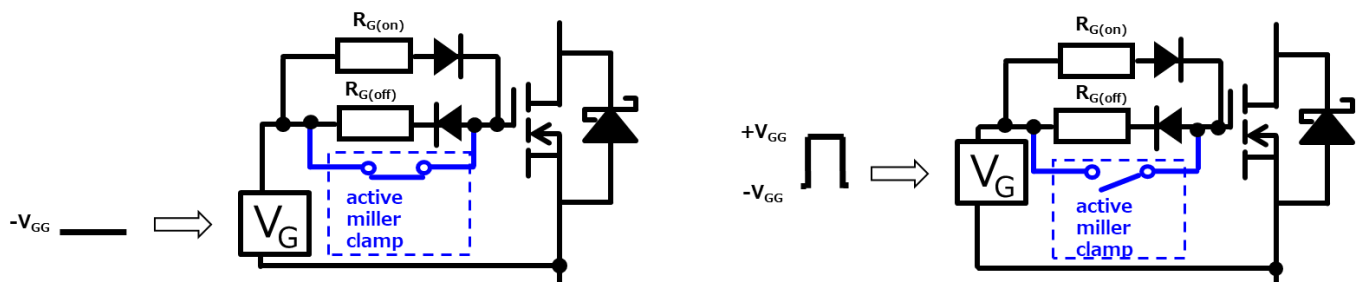


Figure 3.3.3 Function of active miller clamp (bypasses gate resistor $R_{G(off)}$ during the off-state of the SiC MOSFET)

3.4 Dead time

Dead time is the period when both the high and low side SiC MOSFETs are in the off-state.

When the SiC MOSFETs are used in such as inverters or full-bridge circuits (bridged configuration), dead time must be set to avoid DC line short circuit, which may cause damage to the system and/or the SiC MOSFET. Be sure to provide sufficient dead time. If the dead time is too short, then one of the high or low side SiC MOSFETs turns on before the other completes its turn-off, and a large current flows through the high and low side SiC MOSFETs and cause a DC line short circuit. Take into account the propagation delays for both turn-on and turn-off between the controller, gate driver circuit, and SiC MOSFET when determining the dead time.

Determine the dead time based on the evaluation of your system.

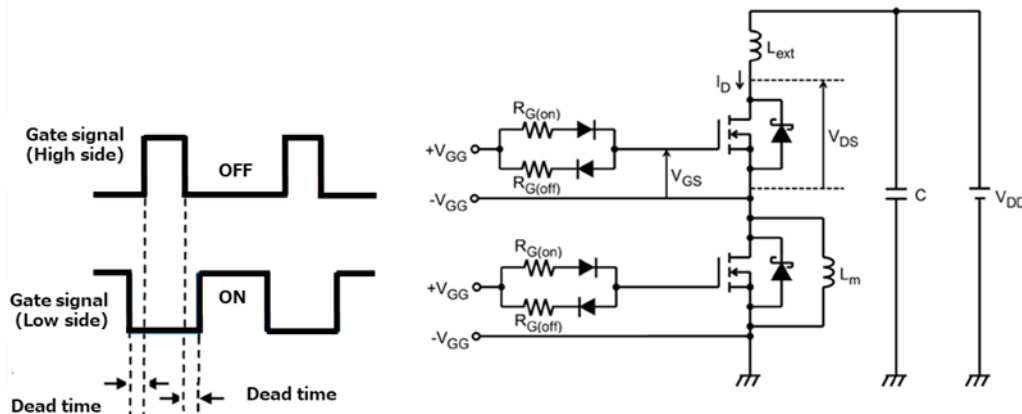


Figure 3.4.1 Definition of dead time

3.5 Gate surge voltage

Because overvoltage to the gate of the SiC MOSFET may damage the device, the gate circuit should be designed with countermeasures against gate surge voltage. The same countermeasures for self-turn-on described in section 3.3 Figure 3.3.2 (inserting a capacitor between the gate and the source) and Figure 3.3.3 (to use an active miller clamp, which bypasses gate resistor $R_{G(off)}$ during the off-state of the SiC MOSFET) can be applied to suppressing gate surge voltage. Design the gate drive circuit based on the evaluation of your system.

RESTRICTIONS ON PRODUCT USE

Toshiba Corporation and its subsidiaries and affiliates are collectively referred to as "TOSHIBA". Hardware, software and systems described in this document are collectively referred to as "Product".

- TOSHIBA reserves the right to make changes to the information in this document and related Product without notice.
- This document and any information herein may not be reproduced without prior written permission from TOSHIBA. Even with TOSHIBA's written permission, reproduction is permissible only if reproduction is without alteration/omission.
- Though TOSHIBA works continually to improve Product's quality and reliability, Product can malfunction or fail. Customers are responsible for complying with safety standards and for providing adequate designs and safeguards for their hardware, software and systems which minimize risk and avoid situations in which a malfunction or failure of Product could cause loss of human life, bodily injury or damage to property, including data loss or corruption. Before customers use the Product, create designs including the Product, or incorporate the Product into their own applications, customers must also refer to and comply with (a) the latest versions of all relevant TOSHIBA information, including without limitation, this document, the specifications, the data sheets and application notes for Product and the precautions and conditions set forth in the "TOSHIBA Semiconductor Reliability Handbook" and (b) the instructions for the application with which the Product will be used with or for. Customers are solely responsible for all aspects of their own product design or applications, including but not limited to (a) determining the appropriateness of the use of this Product in such design or applications; (b) evaluating and determining the applicability of any information contained in this document, or in charts, diagrams, programs, algorithms, sample application circuits, or any other referenced documents; and (c) validating all operating parameters for such designs and applications. **TOSHIBA ASSUMES NO LIABILITY FOR CUSTOMERS' PRODUCT DESIGN OR APPLICATIONS.**
- **PRODUCT IS NEITHER INTENDED NOR WARRANTED FOR USE IN EQUIPMENTS OR SYSTEMS THAT REQUIRE EXTRAORDINARILY HIGH LEVELS OF QUALITY AND/OR RELIABILITY, AND/OR A MALFUNCTION OR FAILURE OF WHICH MAY CAUSE LOSS OF HUMAN LIFE, BODILY INJURY, SERIOUS PROPERTY DAMAGE AND/OR SERIOUS PUBLIC IMPACT ("UNINTENDED USE").** Except for specific applications as expressly stated in this document, Unintended Use includes, without limitation, equipment used in nuclear facilities, equipment used in the aerospace industry, lifesaving and/or life supporting medical equipment, equipment used for automobiles, trains, ships and other transportation, traffic signaling equipment, equipment used to control combustions or explosions, safety devices, elevators and escalators, and devices related to power plant. **IF YOU USE PRODUCT FOR UNINTENDED USE, TOSHIBA ASSUMES NO LIABILITY FOR PRODUCT.** For details, please contact your TOSHIBA sales representative or contact us via our website.
- Do not disassemble, analyze, reverse-engineer, alter, modify, translate or copy Product, whether in whole or in part.
- Product shall not be used for or incorporated into any products or systems whose manufacture, use, or sale is prohibited under any applicable laws or regulations.
- The information contained herein is presented only as guidance for Product use. No responsibility is assumed by TOSHIBA for any infringement of patents or any other intellectual property rights of third parties that may result from the use of Product. No license to any intellectual property right is granted by this document, whether express or implied, by estoppel or otherwise.
- **ABSENT A WRITTEN SIGNED AGREEMENT, EXCEPT AS PROVIDED IN THE RELEVANT TERMS AND CONDITIONS OF SALE FOR PRODUCT, AND TO THE MAXIMUM EXTENT ALLOWABLE BY LAW, TOSHIBA (1) ASSUMES NO LIABILITY WHATSOEVER, INCLUDING WITHOUT LIMITATION, INDIRECT, CONSEQUENTIAL, SPECIAL, OR INCIDENTAL DAMAGES OR LOSS, INCLUDING WITHOUT LIMITATION, LOSS OF PROFITS, LOSS OF OPPORTUNITIES, BUSINESS INTERRUPTION AND LOSS OF DATA, AND (2) DISCLAIMS ANY AND ALL EXPRESS OR IMPLIED WARRANTIES AND CONDITIONS RELATED TO SALE, USE OF PRODUCT, OR INFORMATION, INCLUDING WARRANTIES OR CONDITIONS OF MERCHANTABILITY, FITNESS FOR A PARTICULAR PURPOSE, ACCURACY OF INFORMATION, OR NONINFRINGEMENT.**
- Do not use or otherwise make available Product or related software or technology for any military purposes, including without limitation, for the design, development, use, stockpiling or manufacturing of nuclear, chemical, or biological weapons or missile technology products (mass destruction weapons). Product and related software and technology may be controlled under the applicable export laws and regulations including, without limitation, the Japanese Foreign Exchange and Foreign Trade Law and the U.S. Export Administration Regulations. Export and re-export of Product or related software or technology are strictly prohibited except in compliance with all applicable export laws and regulations.
- Please contact your TOSHIBA sales representative for details as to environmental matters such as the RoHS compatibility of Product. Please use Product in compliance with all applicable laws and regulations that regulate the inclusion or use of controlled substances, including without limitation, the EU RoHS Directive. **TOSHIBA ASSUMES NO LIABILITY FOR DAMAGES OR LOSSES OCCURRING AS A RESULT OF NONCOMPLIANCE WITH APPLICABLE LAWS AND REGULATIONS.**

Toshiba Electronic Devices & Storage Corporation

<https://toshiba.semicon-storage.com/>