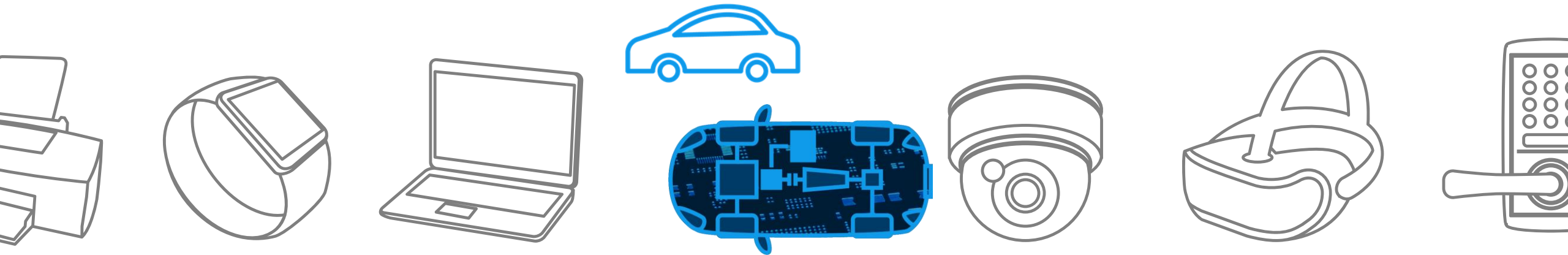


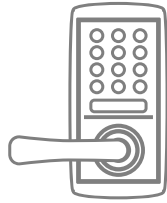
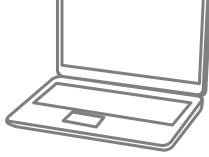
TOSHIBA

Automotive Integrated Starter Generator

R21

Solution Proposal by Toshiba

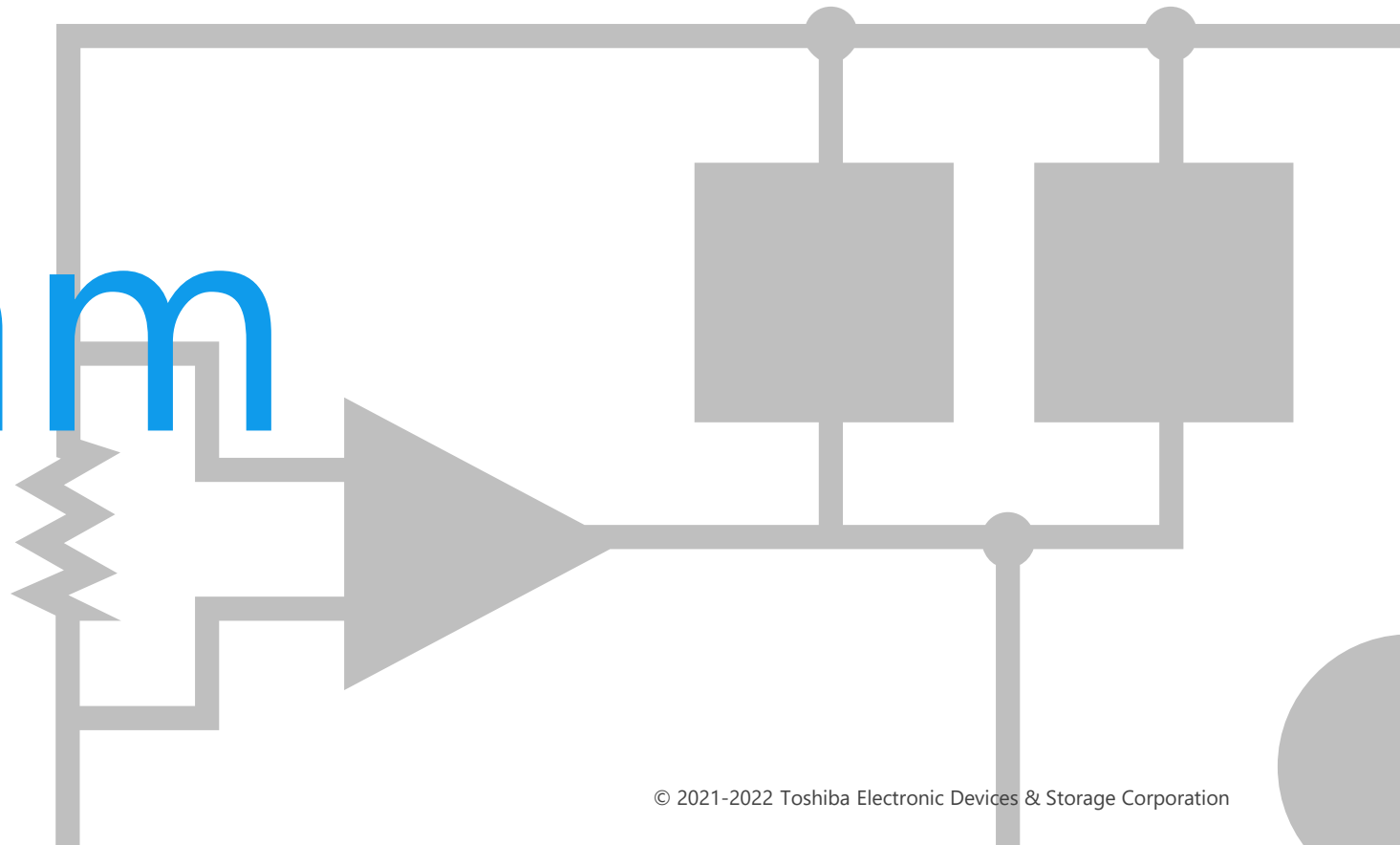




Toshiba Electronic Devices & Storage Corporation provides comprehensive device solutions to customers developing new products by applying its thorough understanding of the systems acquired through the analysis of basic product designs.

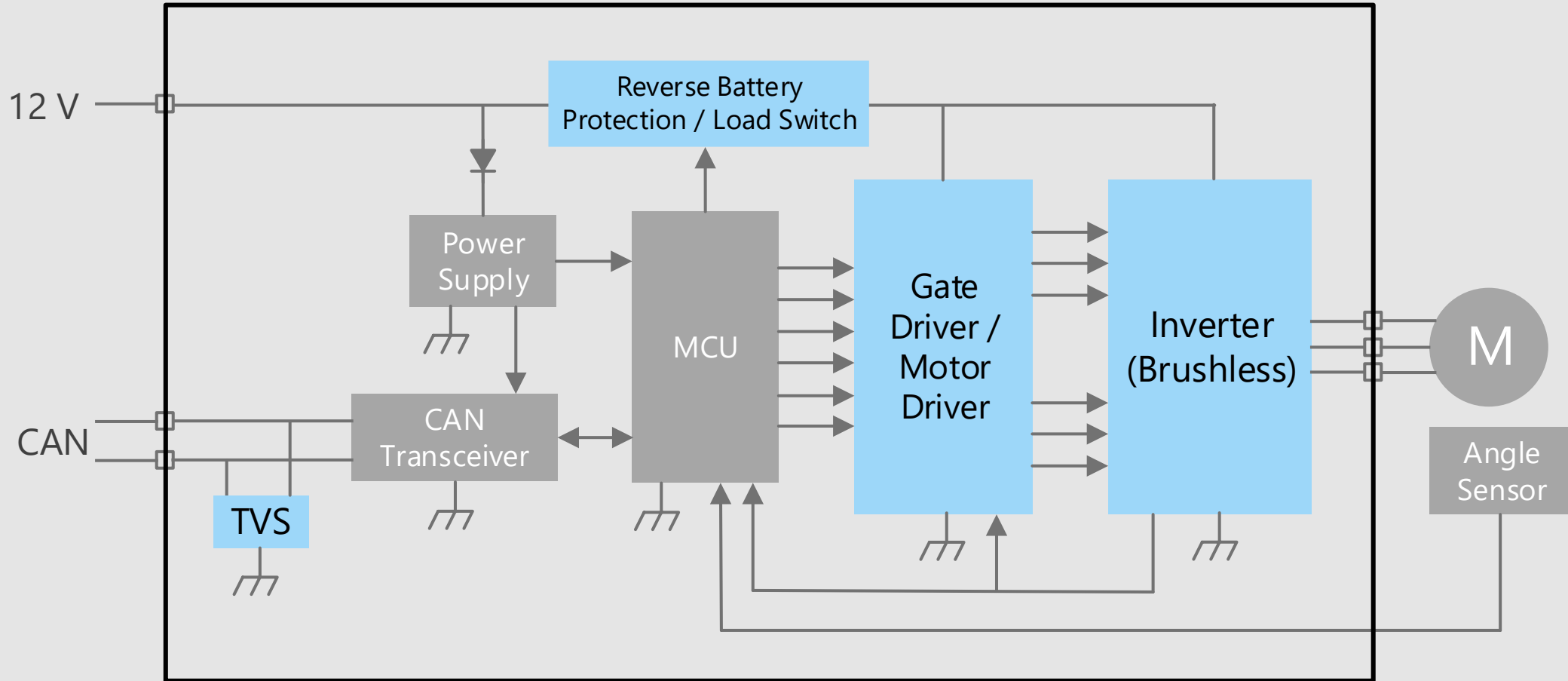


Block Diagram



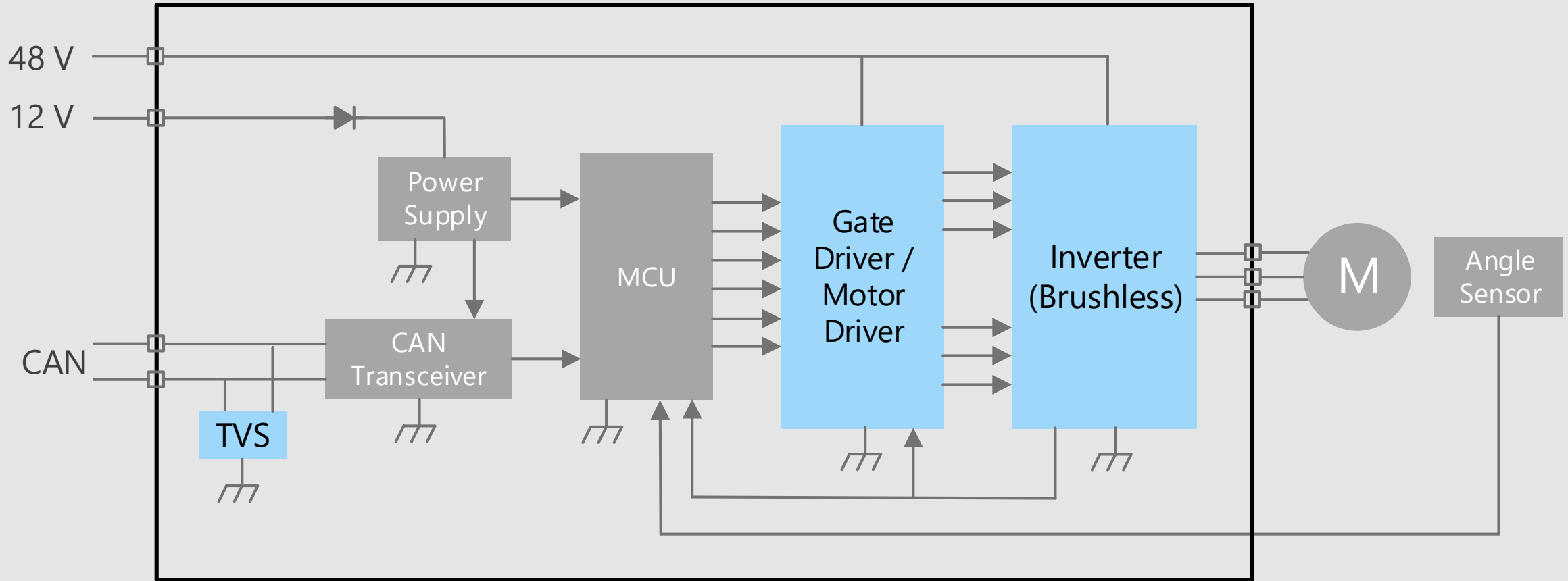
ISG (Integrated Starter Generator) Overall Block Diagram (1)

12 V Integrated Starter Generator

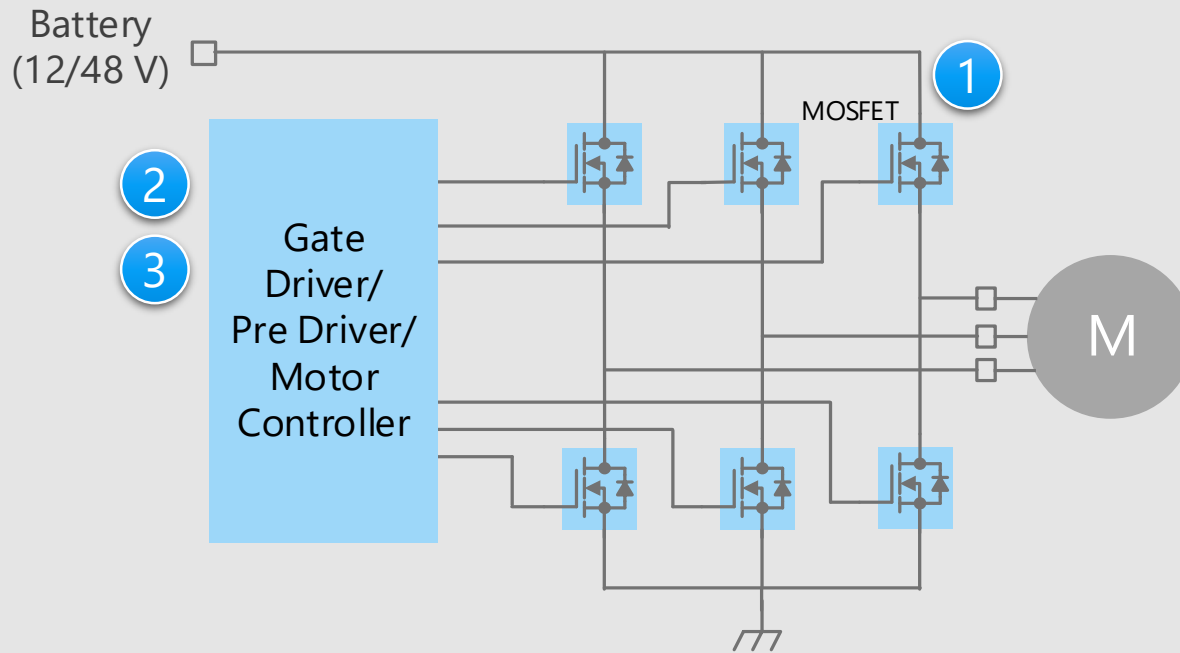


ISG (Integrated Starter Generator) Overall Block Diagram (2)

48 V Integrated Starter Generator



Brushless DC motor drive circuit



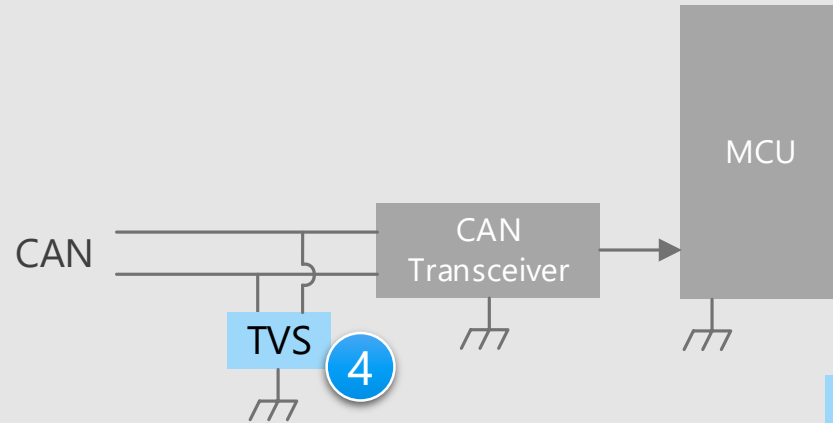
Criteria for device selection

- It is necessary to select the product with the suitable voltage and current ratings for each application.
- It is necessary to select a gate driver according to the characteristics of the switching device to be driven.
- A small surface mount package is suitable for realizing miniaturization of the ECU.

Proposal from Toshiba

- **Low on-resistance contributes low power consumption of the system**
U-MOS Series 40 V 80 V / 100 V
N-ch MOSFET
- **Gate driver with built-in protection and diagnosis functions**
Gate driver (for motor)
- **Pre driver with built-in safety relay drivers**
Brushless DC motor pre driver

CAN transceiver protection circuit



General purpose small signal MOSFET

5

General purpose small signal bipolar transistor

6

Small signal bias resistor built-in transistor (BRT)

7

Criteria for device selection

- A small surface mount package is suitable for realizing miniaturization of the ECU.

Proposal from Toshiba

- Suitable for ESD protection

TVS diode (for CAN communication)

4

- Extensive product lineup

General purpose small signal MOSFET

5

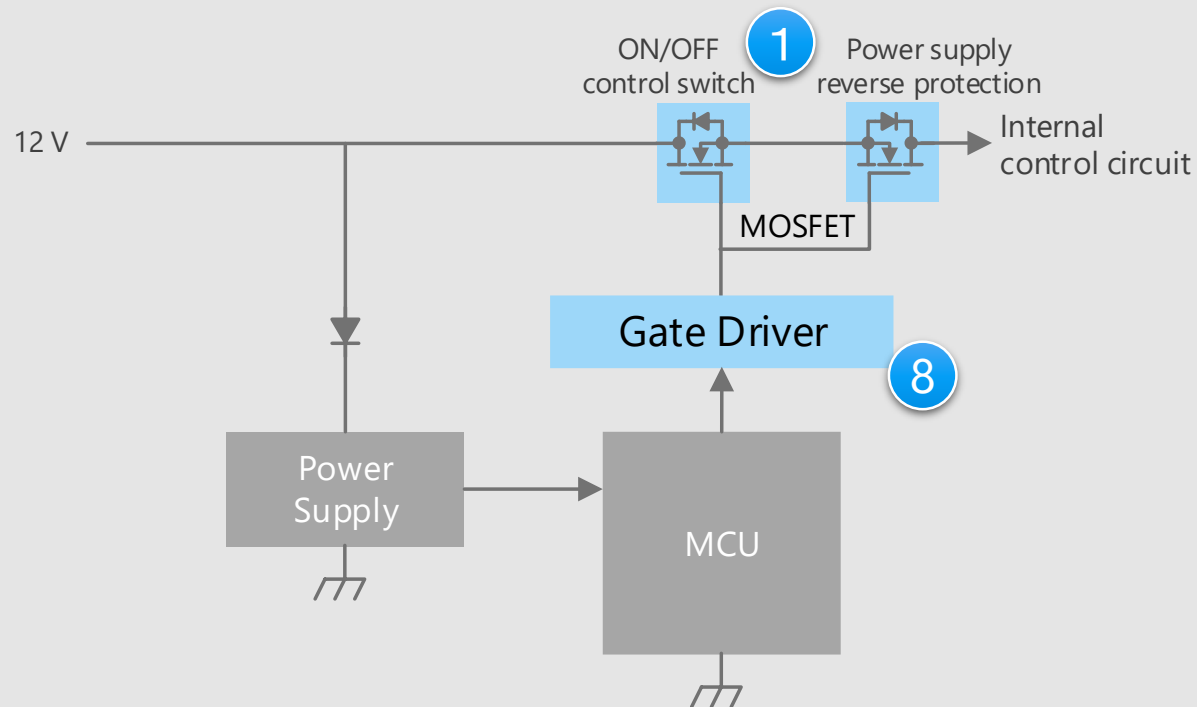
General purpose small signal bipolar transistor

6

Small signal bias resistor built-in transistor (BRT)

7

Power supply ON/OFF control and reverse connection protection circuit



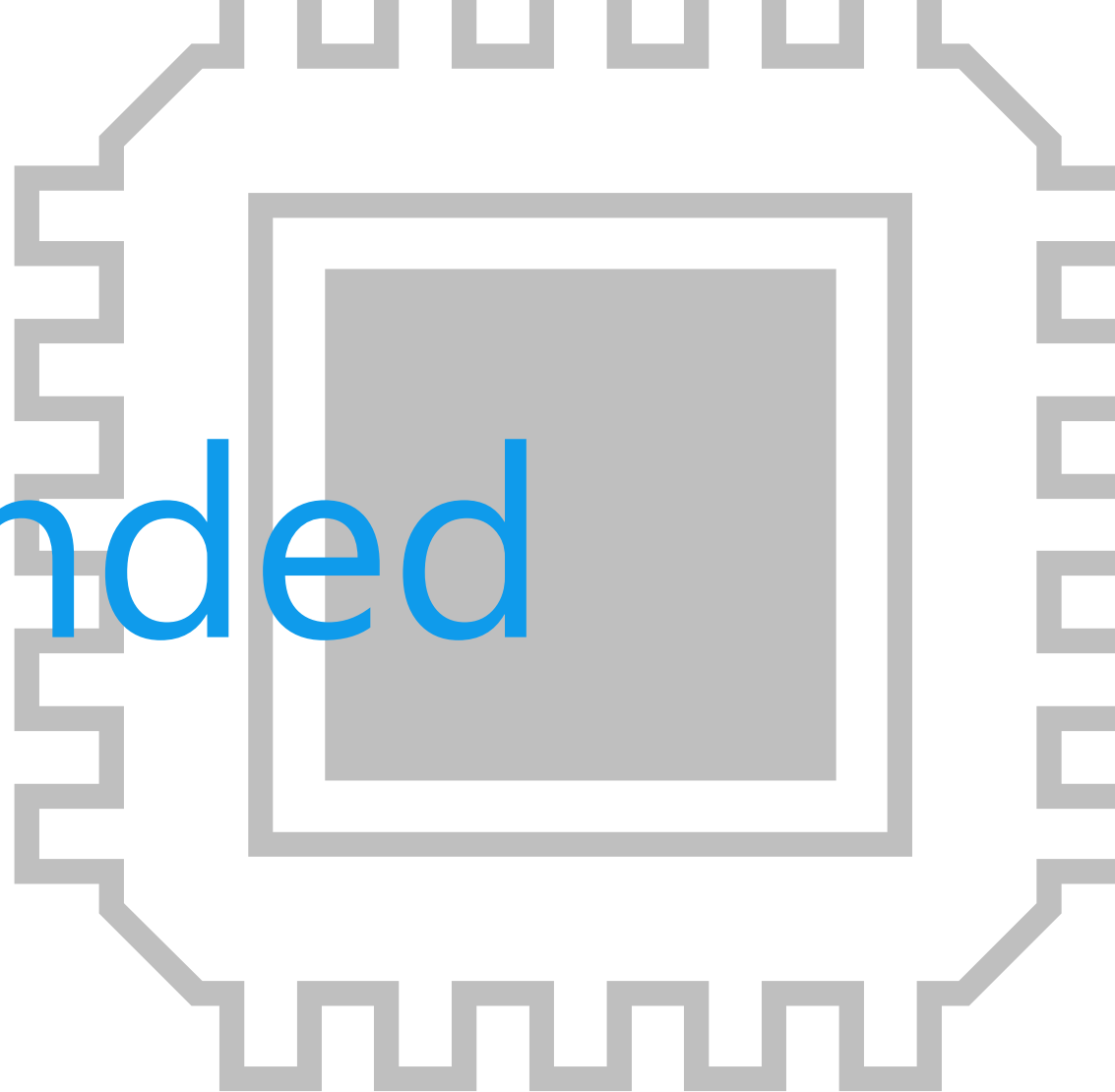
Criteria for device selection

- It is necessary to select the product with the suitable voltage and current ratings for each application.
- It is necessary to select a gate driver according to the characteristics of the switching device to be driven.
- A small surface mount package is suitable for realizing miniaturization of the ECU.

Proposal from Toshiba

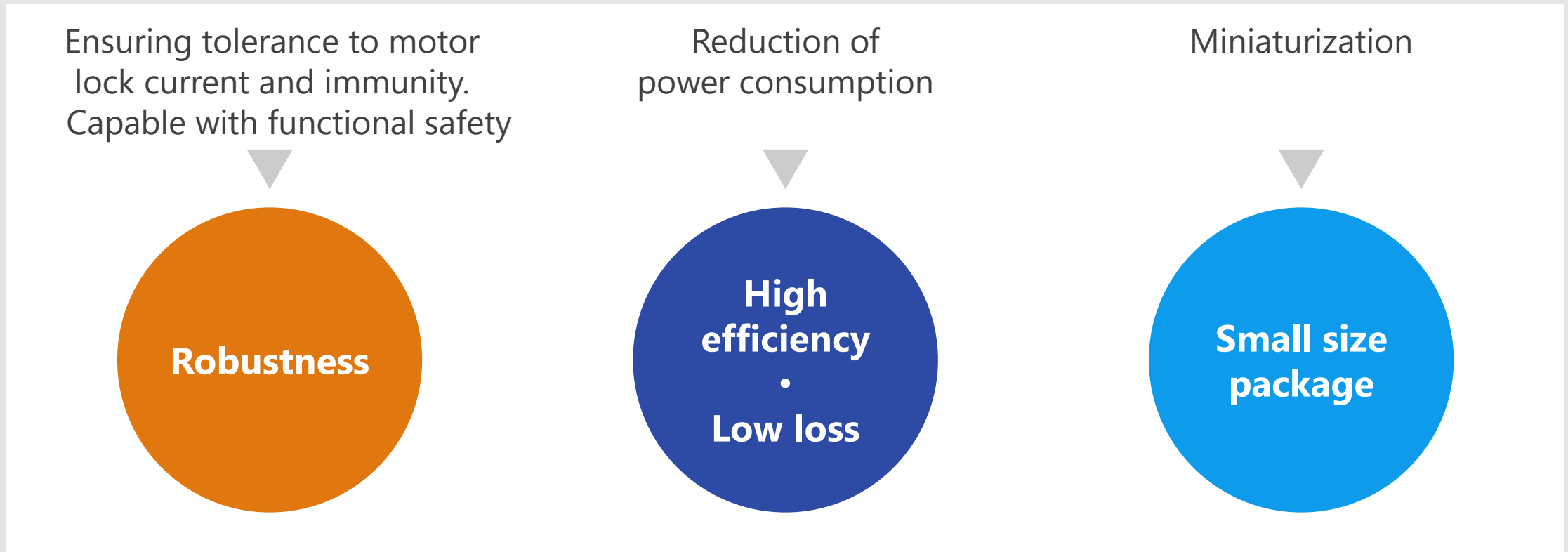
- **Low on-resistance contributes low power consumption of the system**
U-MOS Series 40 V / 80 V / 100 V
N-ch MOSFET
- **Gate driver with built-in protection and diagnosis functions**
Gate driver (for switch)

Recommended Devices



Device solutions to address customer needs

As described above, in the design of ISG, “**Ensuring tolerance to motor lock current and immunity. Capable with functional safety**”, “**Reduction of power consumption**” and “**Miniaturization**” are important factors. Toshiba’s proposals are based on these three solution perspectives.



Device solutions to address customer needs



	Robustness	High efficiency · Low loss	Small size package
① U-MOS Series 40V / 80 V / 100 V N-ch MOSFET	●	●	●
② Gate driver (for motor)	●		●
③ Brushless DC motor pre driver	●	●	
④ TVS diode (for CAN communication)	●		●
⑤ General purpose small signal MOSFET		●	●
⑥ General purpose small signal bipolar transistor			●
⑦ Small signal bias resistor built-in transistor (BRT)			●
⑧ Gate driver (for switch)	●		●

Value provided

The combination of low on-resistance and low noise by the latest U-MOS series process and a small package contributes to system performance improvement.

1 Low loss (reduced on-resistance)

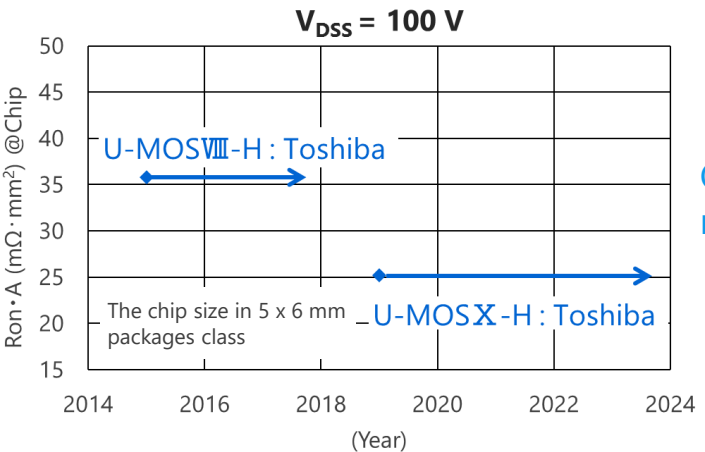
Using low on-resistance technology to contribute to reduced power consumption systems.

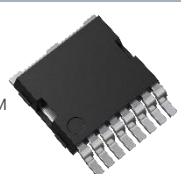
2 Low noise (low EMI)

Improved chip process reduces surge voltage and ringing time.

3 Compact gull wing package

Package size reduced by 23 % compared to D2PAK (10 x 5 mm). Gull wing shaped leads to reduce mounting solder stress in environments with high ambient temperature and high mechanical stress.



Lineup				
Part number	Drain-source voltage [V]	Rated drain current [A]	On-resistance (Max) [mΩ] @ $V_{GS} = 10\text{ V}$	Package
XPQ1R004PB*	40	200	1.0	L-TOGL™ 
XPQR3004PB	40	400	0.30	
XPQR8308QB*	80	350	0.83	
XPQ1R00AQB*	100	300	1.03	

*: Under development (The specification is subject to change without notice.)

[Return to Block Diagram TOP](#)

Value provided

The high gate drive current capability reduces MOSFET losses and improves the efficiency of system.

1 High gate drive current

High drive current capability and high speed switching contribute to reduce the loss.

- TPD7213FN : ± 2 A
- TPD7212F, TPD7212FN : -1 A / +1.5 A

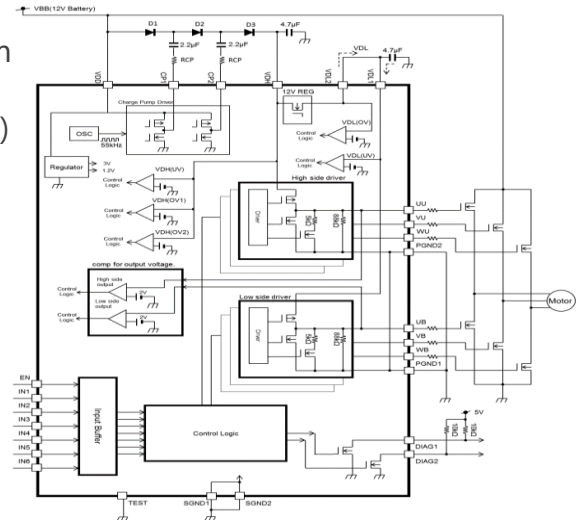
2 Built-in protection / diagnostic output function

MOSFET is turn off when a signal is input that causes arm short circuit. Functions to monitor abnormalities of the power supply voltage and output voltage are built-in.


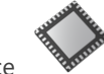

3 Small surface mount package

SSOP16, VQFN32 and SSOP30 are small surface mount packages. They contribute to the miniaturization of system.

Example of application and block diagram of TPD7212F, TPD7212FN (Three-phase brushless DC motor control)



Lineup

Part number	TPD7213FN*	TPD7212F / TPD7212FN
Function	Half bridge gate driver	Gate driver for Three-phase brushless motor
Number of output	2 outputs	6 outputs
Package	 SSOP16 (5.5 x 6.4 mm)	 TPD7212F Back surface  TPD7212FN P-WQFN32-0505-0.50-002 SSOP30-P-300-0.65
Features	<ul style="list-style-type: none"> • Suitable for 48 V battery system • Can be used to drive a high side N-ch MOSFET 	<ul style="list-style-type: none"> • For driving high side N-ch MOSFET (with built-in charge pumps) • Built-in voltage monitoring function (power supply, output)

* : Under development (The specification is subject to change without notice.)
[Return to Block Diagram TOP](#)

3 Brushless DC motor pre driver

TB9081FG / TB9083FTG



Value provided

Compliant with automotive functional safety standard (ISO 26262 : ASIL-D) and safety relay drivers are built in.

1 Compliant with automotive functional safety standard

Compliant with ISO 26262 ASIL-D. [NOTE 1] FMEDA [NOTE 2] and safety manuals can be provided.

[NOTE 1] Automotive Safety Integrity Level
[NOTE 2] Failure Modes Effects and Diagnostics Analysis

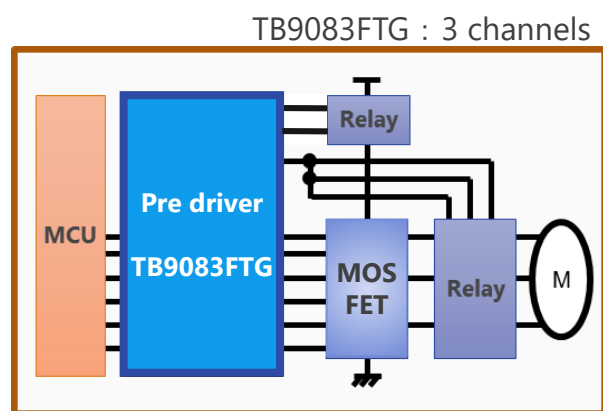
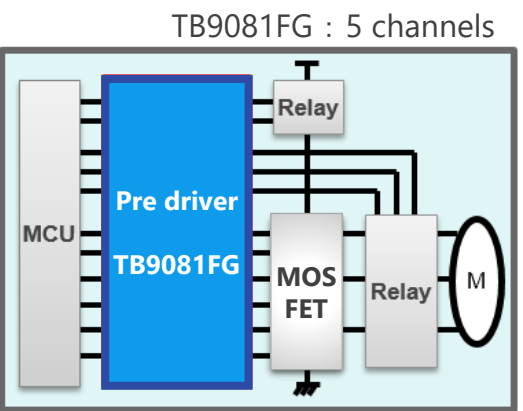
2 Built-in safety relay drivers and motor current detection amplifiers

The safety relay drivers are built in for the power supply side MOSFETs and the motor phase cut MOSFETs. In addition, a 3 channels of motor current detection amplifiers are built in to support 3 shunts.

3 AEC-Q100 qualified

It is AEC-Q100 qualified and it can be used for various automotive applications.

Built-in safety relay drivers



Lineup

Part number	TB9081FG	TB9083FTG
Package	LQFP64	VQFN48
Package body size	10.0 x 10.0 mm	7.0 x 7.0 mm
Operating ambient temperature	Ta = -40 to 125 °C	Ta = -40 to 150 °C
Function	Control method	Direct
	External MOSFET (High side / Low side)	N-ch / N-ch
	Detection of overheating, low voltage and short circuit	✓
	Output of detection function diagnosis result	✓ (BIST [Note 3])

[Note 3] Built-in Self Test

[Return to Block Diagram TOP](#)

4 TVS diode (for CAN communication)

DF3D18FU / DF3D29FU / DF3D36FU



Value provided

TVS diodes prevent system damage and malfunction caused by electrostatic discharge (ESD).

1 Improve ESD pulse absorbability

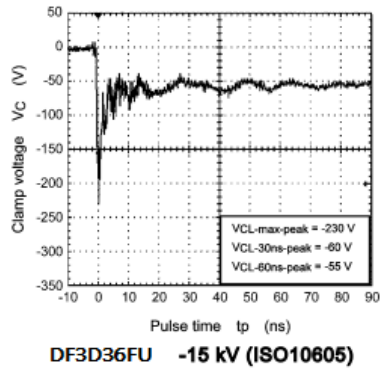
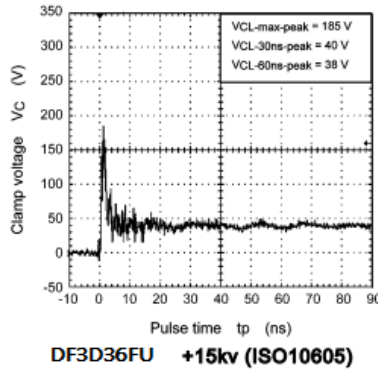
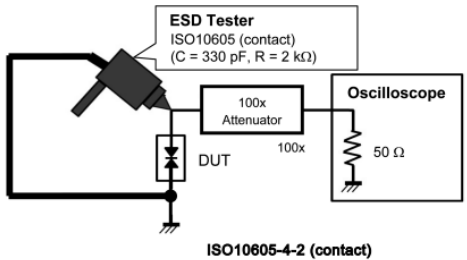
Toshiba proprietary Zener process improves the ESD pulse absorption of TVS diodes. (Achieving both low dynamic resistance R_{DYN} and low capacitance between terminals C_t)


2 Supports CAN, CAN FD and FlexRay

These are products applicable to in-vehicle LAN communication such as CAN, CAN FD and FlexRay.

3 High ESD immunity

$V_{ESD} > \pm 30$ kV @ ISO 10605
 $V_{ESD} > \pm 20$ kV @ IEC 61000-4-2 (Level 4)



Lineup			
Part number	DF3D18FU	DF3D29FU	DF3D36FU
Package	USM (SOT-323) 		
V_{ESD} [kV] @ISO 10605	±30	±30	±20
V_{RWM} (Max) [V]	12	24	28
C_t (Typ. / Max) [pF]	9 / 10		6.5 / 8
R_{DYN} (Typ.) [Ω]	0.8	1.1	1.5

(Note) The above characteristics curves are presented for reference only and not guaranteed by production test, unless otherwise noted. This product is an ESD protection diode and cannot be used for purposes other than ESD protection.

[Return to Block Diagram TOP](#)

5 General purpose small signal MOSFET

SSM3K7002KF / SSM3J168F / SSM3J66MFV

Robustness

High efficiency
Low loss

Small size package

Value provided

Wide lineup of small packages contribute to reduce the size and power consumption of system.

1 Small package

A lineup of various small packages such as SOT-723 (VESM 1.2 x 1.2 mm package) is available, contributing to reduce mounting area.

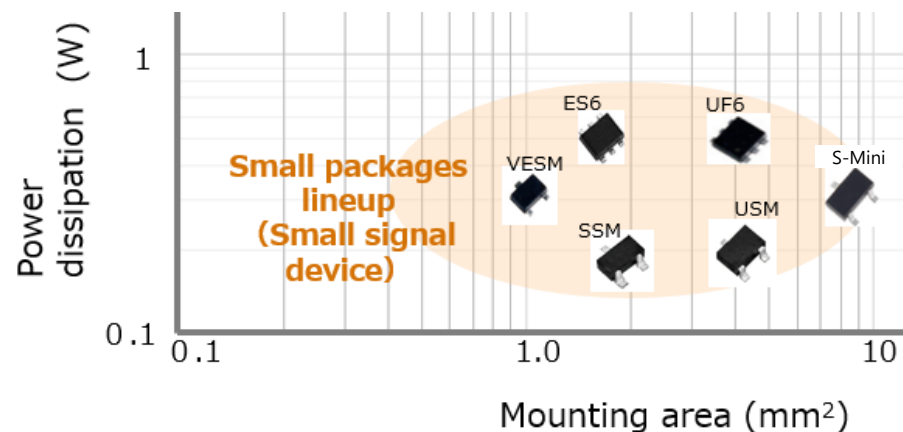
2 Low voltage drive

SSM3J66MFV can be driven at low gate-source voltage of 1.2 V.



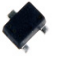
3 AEC-Q101 qualified

AEC-Q101 qualified and can be used for various automotive applications.

Small signal package lineup



Lineup

Part number	SSM3K7002KF	SSM3J168F	SSM3J66MFV
Package	S-Mini (SOT-346) 	S-Mini (SOT-346) 	VESM (SOT-723) 
V_{DSS} [V]	60	-60	-20
I_D [A]	0.4	-0.4	-0.8
$R_{DS(ON)}$ @ $ V_{GS} = 4.5$ V [Ω]	Typ.	1.2	0.31
	Max	1.75	0.39
Drive voltage [V]	4.5	-4.0	-1.2
Polarity	N-ch	P-ch	P-ch

[Return to Block Diagram TOP](#)

Value provided

Extensive product lineup to meet customers' needs.

1 Extensive lineup of packages

Various packages such as 1-in-1, 2-in-1 are provided and suitable products for circuit board design are selectable.

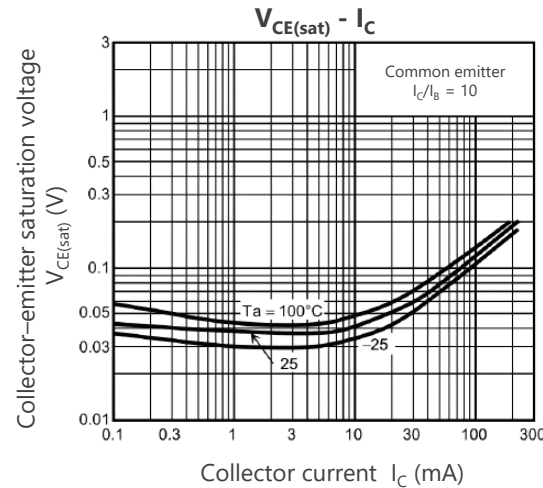
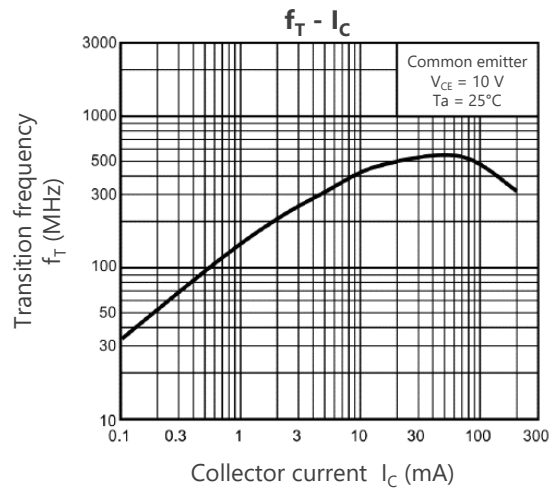
2 Extensive product lineup

Various product lineups, such as general purpose, low noise, low $V_{CE(sat)}$ and high current types are provided. Products can be selected in accordance with the application.

3 AEC-Q101 qualified

AEC-Q101 qualified and can be used for various automotive applications.

Characteristic examples of 2SC2712



Lineup

Package			SOT-23F		USM (SOT-323) UFM (SOT-323F)*		S-Mini (SOT-346)	
Classification	$ V_{CE0} $ [V]	$ I_C $ [mA]	NPN	PNP	NPN	PNP	NPN	PNP
General purpose	50	150			2SC4116	2SA1586	2SC2712	2SA1162
	50	500					2SC3325	2SA1313
Low noise	120	100			2SC4117	2SA1587	2SC2713	2SA1163
High current	50	1700				2SA2195*		
	50	2000		TTA501				
	50	2500	TTC501					

* indicates UFM package

[Return to Block Diagram TOP](#)

Value provided

Extensive product lineup to meet customers' needs.

1 Built-in bias resistor type (BRT : Bias Resistor built-in Transistor)

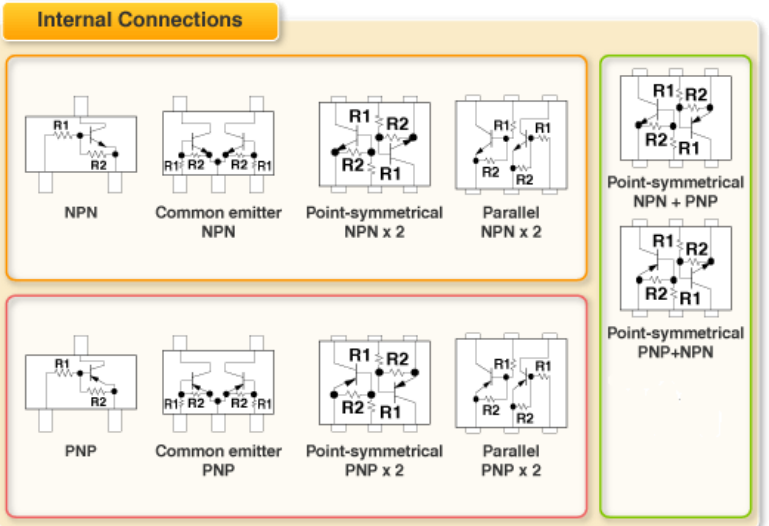
The BRTs contribute to reduction of the number of components, assembly workload and mounting area of circuit boards.

2 Extensive lineup of package and pin assignment



Various package lineups, such as 1-in-1, 2-in-1 and various pin assignment type are provided and suitable products for circuit board design are selectable.

3 AEC-Q101 qualified

AEC-Q101 qualified and can be used for various automotive applications.



Lineup

Part number		NPN (BRT)	PNP (BRT)
Package	ES6 (SOT-563) 	RN1907FE	RN2907FE
	US6 (SOT-363) 	RN1901	RN2901
V_{CE0} [V]		50	-50
I_C [mA]		100	-100

[Return to Block Diagram TOP](#)

8 Gate driver (for switch)

TPD7104AF / TPD7106F / TPD7107F



Value provided

A charge pump circuit for the N-ch MOSFET gate drive is built in, allowing for easy semiconductor relay configuration.

1 Built-in charge pump circuit

Built-in charge pump circuit enables N-ch MOSFET as high side switch. Easy to configure a semiconductor relay.

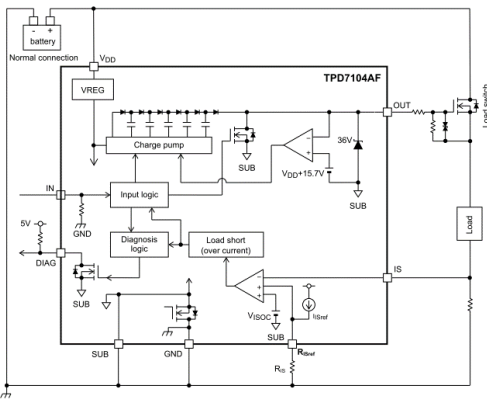
2 Can be controlled by logic level voltage

It is possible to be controlled directly by output signal of MCUs or CMOS logic ICs.

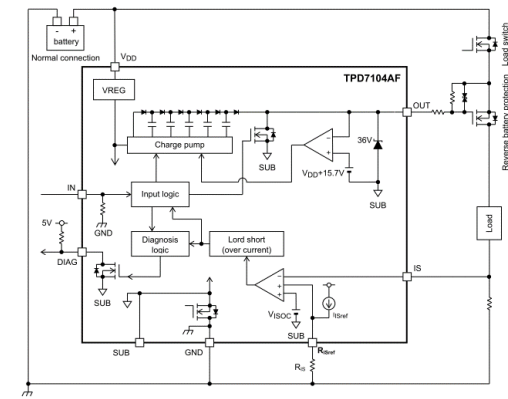
3 Small package

The small surface mount packages such as PS-8, SSOP16 and WSON10A contribute to the miniaturization of equipment.

Semiconductor relay (switch) application (TPD7104AF)






Power supply reverse connection protection MOSFET control (TPD7104AF)



Back to back configuration

Lineup

Part number	TPD7104AF	TPD7106F	TPD7107F
Package	PS-8 (2.8 x 2.9 mm) 	SSOP16 (5.5 x 6.4 mm) 	WSON10A (3 x 3 mm) 
Function	High side gate driver	High side gate driver	High side gate driver
Output	1	1	1
Features	<ul style="list-style-type: none"> Operating power supply voltage range: 5 to 18 V Built-in power supply reverse connection protection function (Protective MOSFET control with back-to-back circuitry) 	<ul style="list-style-type: none"> Operating power supply voltage range: 4.5 to 27 V Built-in power supply reverse connection protection function (Protective MOSFET control with back-to-back circuitry) 	<ul style="list-style-type: none"> Operating power supply voltage range: 5.75 to 26 V Current sense output Protective functions; overcurrent, overtemperature, GND disconnect, etc. reverse battery connection Diagnosis output; overcurrent, load open, overtemperature, etc.

[Return to Block Diagram TOP](#)

If you are interested in these products and have questions or comments about any of them, please do not hesitate to contact us below:

Contact address: <https://toshiba.semicon-storage.com/ap-en/contact.html>



Terms of use

This terms of use is made between Toshiba Electronic Devices and Storage Corporation ("We") and customers who use documents and data that are consulted to design electronics applications on which our semiconductor devices are mounted ("this Reference Design"). Customers shall comply with this terms of use. Please note that it is assumed that customers agree to any and all this terms of use if customers download this Reference Design. We may, at its sole and exclusive discretion, change, alter, modify, add, and/or remove any part of this terms of use at any time without any prior notice. We may terminate this terms of use at any time and for any reason. Upon termination of this terms of use, customers shall destroy this Reference Design. In the event of any breach thereof by customers, customers shall destroy this Reference Design, and furnish us a written confirmation to prove such destruction.

1. Restrictions on usage

- 1.This Reference Design is provided solely as reference data for designing electronics applications. Customers shall not use this Reference Design for any other purpose, including without limitation, verification of reliability.
- 2.This Reference Design is for customer's own use and not for sale, lease or other transfer.
- 3.Customers shall not use this Reference Design for evaluation in high or low temperature, high humidity, or high electromagnetic environments.
- 4.This Reference Design shall not be used for or incorporated into any products or systems whose manufacture, use, or sale is prohibited under any applicable laws or regulations.

2. Limitations

- 1.We reserve the right to make changes to this Reference Design without notice.
- 2.This Reference Design should be treated as a reference only. We are not responsible for any incorrect or incomplete data and information.
- 3.Semiconductor devices can malfunction or fail. When designing electronics applications by referring to this Reference Design, customers are responsible for complying with safety standards and for providing adequate designs and safeguards for their hardware, software and systems which minimize risk and avoid situations in which a malfunction or failure of semiconductor devices could cause loss of human life, bodily injury or damage to property, including data loss or corruption. Customers must also refer to and comply with the latest versions of all relevant our information, including without limitation, specifications, data sheets and application notes for semiconductor devices, as well as the precautions and conditions set forth in the "Semiconductor Reliability Handbook".
- 4.When designing electronics applications by referring to this Reference Design, customers must evaluate the whole system adequately. Customers are solely responsible for all aspects of their own product design or applications. WE ASSUME NO LIABILITY FOR CUSTOMERS' PRODUCT DESIGN OR APPLICATIONS.
- 5.No responsibility is assumed by us for any infringement of patents or any other intellectual property rights of third parties that may result from the use of this Reference Design. No license to any intellectual property right is granted by this terms of use, whether express or implied, by estoppel or otherwise.
- 6.THIS REFERENCE DESIGN IS PROVIDED "AS IS". WE (a) ASSUME NO LIABILITY WHATSOEVER, INCLUDING WITHOUT LIMITATION, INDIRECT, CONSEQUENTIAL, SPECIAL, OR INCIDENTAL DAMAGES OR LOSS, INCLUDING WITHOUT LIMITATION, LOSS OF PROFITS, LOSS OF OPPORTUNITIES, BUSINESS INTERRUPTION AND LOSS OF DATA, AND (b) DISCLAIM ANY AND ALL EXPRESS OR IMPLIED WARRANTIES AND CONDITIONS RELATED TO THIS REFERENCE DESIGN, INCLUDING WARRANTIES OR CONDITIONS OF MERCHANTABILITY, FITNESS FOR A PARTICULAR PURPOSE, ACCURACY OF INFORMATION, OR NONINFRINGEMENT.

3. Export Control

Customers shall not use or otherwise make available this Reference Design for any military purposes, including without limitation, for the design, development, use, stockpiling or manufacturing of nuclear, chemical, or biological weapons or missile technology products (mass destruction weapons). This Reference Design may be controlled under the applicable export laws and regulations including, without limitation, the Japanese Foreign Exchange and Foreign Trade Law and the U.S. Export Administration Regulations. Export and re-export of this Reference Design are strictly prohibited except in compliance with all applicable export laws and regulations.

4. Governing Laws

This terms of use shall be governed and construed by laws of Japan.

Restrictions on product use

- Toshiba Electronic Devices & Storage Corporation, and its subsidiaries and affiliates (collectively "TOSHIBA"), reserve the right to make changes to the information in this document, and related hardware, software and systems (collectively "Product") without notice.
- This document and any information herein may not be reproduced without prior written permission from TOSHIBA. Even with TOSHIBA's written permission, reproduction is permissible only if reproduction is without alteration/omission.
- Though TOSHIBA works continually to improve Product's quality and reliability, Product can malfunction or fail. Customers are responsible for complying with safety standards and for providing adequate designs and safeguards for their hardware, software and systems which minimize risk and avoid situations in which a malfunction or failure of Product could cause loss of human life, bodily injury or damage to property, including data loss or corruption. Before customers use the Product, create designs including the Product, or incorporate the Product into their own applications, customers must also refer to and comply with (a) the latest versions of all relevant TOSHIBA information, including without limitation, this document, the specifications, the data sheets and application notes for Product and the precautions and conditions set forth in the "TOSHIBA Semiconductor Reliability Handbook" and (b) the instructions for the application with which the Product will be used with or for. Customers are solely responsible for all aspects of their own product design or applications, including but not limited to (a) determining the appropriateness of the use of this Product in such design or applications; (b) evaluating and determining the applicability of any information contained in this document, or in charts, diagrams, programs, algorithms, sample application circuits, or any other referenced documents; and (c) validating all operating parameters for such designs and applications. **TOSHIBA ASSUMES NO LIABILITY FOR CUSTOMERS' PRODUCT DESIGN OR APPLICATIONS.**
- **PRODUCT IS NEITHER INTENDED NOR WARRANTED FOR USE IN EQUIPMENTS OR SYSTEMS THAT REQUIRE EXTRAORDINARILY HIGH LEVELS OF QUALITY AND/OR RELIABILITY, AND/OR A MALFUNCTION OR FAILURE OF WHICH MAY CAUSE LOSS OF HUMAN LIFE, BODILY INJURY, SERIOUS PROPERTY DAMAGE AND/OR SERIOUS PUBLIC IMPACT ("UNINTENDED USE").** Except for specific applications as expressly stated in this document, Unintended Use includes, without limitation, equipment used in nuclear facilities, equipment used in the aerospace industry, lifesaving and/or life supporting medical equipment, equipment used for automobiles, trains, ships and other transportation, traffic signaling equipment, equipment used to control combustions or explosions, safety devices, elevators and escalators, and devices related to power plant. **IF YOU USE PRODUCT FOR UNINTENDED USE, TOSHIBA ASSUMES NO LIABILITY FOR PRODUCT.** For details, please contact your TOSHIBA sales representative or contact us via our website.
- Do not disassemble, analyze, reverse-engineer, alter, modify, translate or copy Product, whether in whole or in part.
- Product shall not be used for or incorporated into any products or systems whose manufacture, use, or sale is prohibited under any applicable laws or regulations.
- The information contained herein is presented only as guidance for Product use. No responsibility is assumed by TOSHIBA for any infringement of patents or any other intellectual property rights of third parties that may result from the use of Product. No license to any intellectual property right is granted by this document, whether express or implied, by estoppel or otherwise.
- **ABSENT A WRITTEN SIGNED AGREEMENT, EXCEPT AS PROVIDED IN THE RELEVANT TERMS AND CONDITIONS OF SALE FOR PRODUCT, AND TO THE MAXIMUM EXTENT ALLOWABLE BY LAW, TOSHIBA (1) ASSUMES NO LIABILITY WHATSOEVER, INCLUDING WITHOUT LIMITATION, INDIRECT, CONSEQUENTIAL, SPECIAL, OR INCIDENTAL DAMAGES OR LOSS, INCLUDING WITHOUT LIMITATION, LOSS OF PROFITS, LOSS OF OPPORTUNITIES, BUSINESS INTERRUPTION AND LOSS OF DATA, AND (2) DISCLAIMS ANY AND ALL EXPRESS OR IMPLIED WARRANTIES AND CONDITIONS RELATED TO SALE, USE OF PRODUCT, OR INFORMATION, INCLUDING WARRANTIES OR CONDITIONS OF MERCHANTABILITY, FITNESS FOR A PARTICULAR PURPOSE, ACCURACY OF INFORMATION, OR NONINFRINGEMENT.**
- Product may include products using GaAs (Gallium Arsenide). GaAs is harmful to humans if consumed or absorbed, whether in the form of dust or vapor. Handle with care and do not break, cut, crush, grind, dissolve chemically or otherwise expose GaAs in Product.
- Do not use or otherwise make available Product or related software or technology for any military purposes, including without limitation, for the design, development, use, stockpiling or manufacturing of nuclear, chemical, or biological weapons or missile technology products (mass destruction weapons). Product and related software and technology may be controlled under the applicable export laws and regulations including, without limitation, the Japanese Foreign Exchange and Foreign Trade Law and the U.S. Export Administration Regulations. Export and re-export of Product or related software or technology are strictly prohibited except in compliance with all applicable export laws and regulations.
- Please contact your TOSHIBA sales representative for details as to environmental matters such as the RoHS compatibility of Product. Please use Product in compliance with all applicable laws and regulations that regulate the inclusion or use of controlled substances, including without limitation, the EU RoHS Directive. **TOSHIBA ASSUMES NO LIABILITY FOR DAMAGES OR LOSSES OCCURRING AS A RESULT OF NONCOMPLIANCE WITH APPLICABLE LAWS AND REGULATIONS.**

TOSHIBA

* L-TOGL™ is a trademark of Toshiba Electronic Devices & Storage Corporation.

* All other company names, product names, and service names may be trademarks of their respective companies.