

TB6586FG/AFG

Usage considerations

Summary

The TB6586FG and TB6586AFG are controllers IC for three-phase DC brushless motor drive applications. They can drive a motor on a 150 degree commutation system in either of two directions. To change the direction of the motor, first stop the motor rotation before changing the control signals. The rotational direction should not be changed while the motor is rotating. The TB6586FG and TB6586AFG are products intended to be used for fans.

TB6586FG and TB6586AFG have different output pulse per revolution.

- TB6586FG: 1 pulse/ electrical angle
- TB6586AFG: 3 pulses/ electrical angle

Table of Contents

Summary	1
1. Power supply voltage	3
2. Control inputs (RES, CW/CCW, VSP, LA)	3
3. Oscillation circuit	3
4. Application circuit.....	4
Notes on Contents.....	7
IC Usage Considerations.....	7
Notes on handling of ICs	7
Points to remember on handling of ICs.....	7
RESTRICTIONS ON PRODUCT USE.....	8

1. Power supply voltage

Power supply voltage usage range

Characteristic	Symbol	Operating voltage range	Unit
Power supply for control block	V _{cc}	6.5 to 16.5	V
Output supply	VM	4.5 to 16.5	

2. Control inputs (RES, CW/CCW, VSP, LA)

- (1) Input method
The RES, CW/CCW, and LA input signals should be open or low, until V_{cc} has settled.
Settle VM after V_{cc} is settled.
- (2) VSP input
V_{sp} input voltage range is zero to 7 V. Voltage can be energized regardless of V_{cc} condition.

3. Oscillation circuit

- (1) Operating oscillation range

Item	Condition	Operating voltage range	Unit
Carrier frequency	OSC/C=560 pF, OSC/R=6.2 kΩ	18 to 22	kHz
	OSC/C=470 pF, OSC/R=8.2 kΩ	16.2 to 19.8	

- (2) Connection
Place the capacitor and resistor's GND as close as possible to the IC's GND pin.
- (3) Calculation formula
Typical oscillation frequency can be calculated by the equations below.

$$F_{osc} = 1 / \{ (2 \times V_{th} \times C / I) + T_{delay} \} \dots\dots I = V_i \times G / R$$

$$= 1 / \{ 2 \times V_{th} \times C / (V_i \times G / R) + T_{delay} \}$$

C = External capacitor (470 pF)

R = External resistance (8.2 kΩ)

V_{th} = Triangle-wave sleigh voltage (Design value: 0.28 V)

V_i = Current switch reference voltage (Design value: 1 V)

G = Constant current amp rate (Design value: 11)

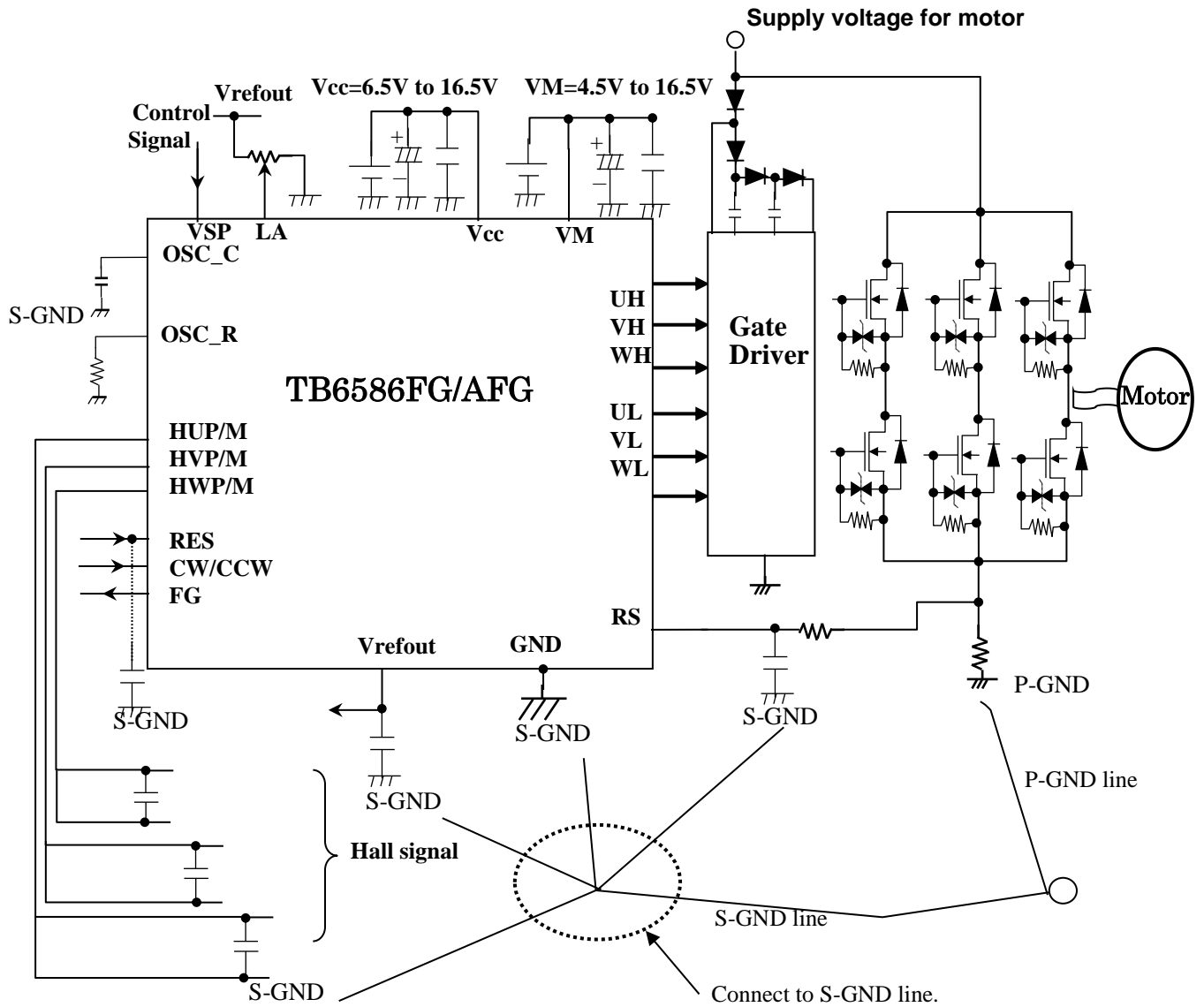
T_{delay} = Circuit delay (25 ns)

Carrier frequency is determined by the equation below.

$$\text{Carrier frequency} = F_{osc} / 252$$

OSC/C, OSC/R is recommended to be set by case (1).

4. Application circuit



- (1) Capacitors for power supply
Connect capacitors between Vcc and GND as near the IC as possible.

<Recommended value>

Characteristic	Recommended value	Remarks
Vcc - GND:	10 μ F to 33 μ F	Electrolytic capacitor
	0.001 μ F to 0.22 μ F	Ceramic capacitor

- (2) Capacitor for Vrefout
Connect capacitors between Vrefout and GND as near the IC as possible.

<Recommended value>

Characteristic	Recommended value	Remarks
Vrefout - GND:	0.22 μ F to 1.0 μ F	Ceramic capacitor

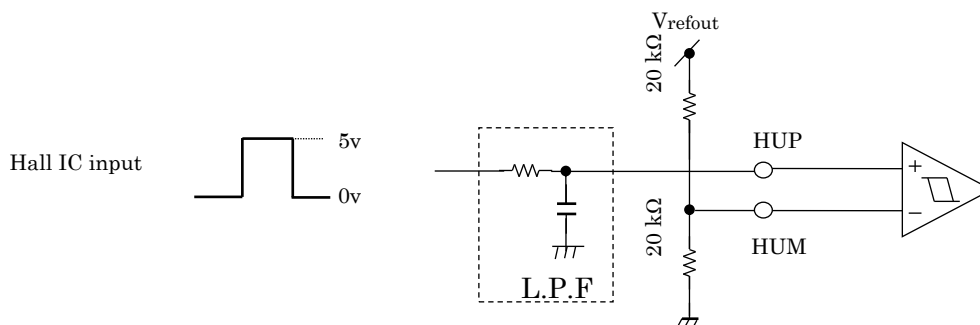
Vrefout pin line is used as the reference power supply of the IC internal circuit. To prevent parasitic oscillation, be sure to connect a capacitor whether the Vrefout power supply is used or not used. Place the negative side of the capacitor as close as possible to the IC's S-GND.

- (3) Capacitors between hall signals
The hall input pin is susceptible to noise because it has high impedance. To prevent malfunction, connect a condenser between upper and under side pins. The capacitance is recommended 0.001 μ F to 0.1 μ F.

When the hall signal is detected less than 5 Hz, 120°energization and 150°energization is switched. The 5-Hz detection is detected by each hall amplifier output and the edge width, which are judged the upper and lower value of 5 Hz / 6 = 33 ms. If the value is less than 33 ms, 150°energization is selected. When the motor starts driving, the noise pulse enters to the hall amplifier output, the driving output according to the pulse width is output with 150°energization if 5 Hz is detected. The noise should not be entered to the hall signals.

- (4) Position detection signal
Position detection by three-phase hall device or IC can be available with this position detection signal.

When 5 V of square wave is input from hall IC, fix minus pin to Vrefout / 2.



*) Along with V and W phases.

- (5) Capacitor for RES
The RES pin is susceptible to noise because it has a high impedance. To prevent malfunction, connect a capacitor to the RES pin when necessary. Place the load side of the capacitor as close as possible to the IC's S-GND pin.

- (6) Filter RS pin
The RS pin includes a $200\text{ k}\Omega + 5\text{ pF}$ filter. However, connect a C, R filters from the external IC pin in order to prevent this pin from being affected by noise. Determine the C, R filter values by the noise frequencies to be filtered. Place the negative side of the capacitor as close as the IC's S-GND pin.

- (7) GND pattern
Connect the IC's GND pin to signal GND line. Avoid connecting it to the driver's P-GND line (passed through the motor) with a common impedance.

Notes on Contents

1. Block Diagrams

Some of the functional blocks, circuits, or constants in the block diagram may be omitted or simplified for explanatory purposes.

2. Equivalent Circuit

The equivalent circuit diagrams may be simplified or some parts of them may be omitted for explanatory purposes.

3. Timing Charts

Timing charts may be simplified for explanatory purposes.

4. Application Circuits

The application circuits shown in this document are provided for reference purposes only.

Thorough evaluation is required, especially at the mass-production design stage.

Toshiba does not grant any license to any industrial property rights by providing these examples of application circuits.

IC Usage Considerations

Notes on handling of ICs

- (1) The absolute maximum ratings of a semiconductor device are a set of ratings that must not be exceeded, even for a moment. Do not exceed any of these ratings. Exceeding the rating(s) may cause device breakdown, damage or deterioration, and may result in injury by explosion or combustion.
- (2) Do not insert devices in the wrong orientation or incorrectly. Make sure that the positive and negative terminals of power supplies are connected properly. Otherwise, the current or power consumption may exceed the absolute maximum rating, and exceeding the rating(s) may cause device breakdown, damage or deterioration, and may result in injury by explosion or combustion. In addition, do not use any device inserted in the wrong orientation or incorrectly to which current is applied even just once.

Points to remember on handling of ICs

Heat Radiation Design

When using an IC with large current flow such as power amp, regulator or driver, design the device so that heat is appropriately radiated, in order not to exceed the specified junction temperature (T_J) at any time or under any condition. These ICs generate heat even during normal use. An inadequate IC heat radiation design can lead to decrease in IC life, deterioration of IC characteristics or IC breakdown. In addition, when designing the device, take into consideration the effect of IC heat radiation with peripheral components.

RESTRICTIONS ON PRODUCT USE

- Toshiba Corporation, and its subsidiaries and affiliates (collectively "TOSHIBA"), reserve the right to make changes to the information in this document, and related hardware, software and systems (collectively "Product") without notice.
- This document and any information herein may not be reproduced without prior written permission from TOSHIBA. Even with TOSHIBA's written permission, reproduction is permissible only if reproduction is without alteration/omission.
- Though TOSHIBA works continually to improve Product's quality and reliability, Product can malfunction or fail. Customers are responsible for complying with safety standards and for providing adequate designs and safeguards for their hardware, software and systems which minimize risk and avoid situations in which a malfunction or failure of Product could cause loss of human life, bodily injury or damage to property, including data loss or corruption. Before customers use the Product, create designs including the Product, or incorporate the Product into their own applications, customers must also refer to and comply with (a) the latest versions of all relevant TOSHIBA information, including without limitation, this document, the specifications, the data sheets and application notes for Product and the precautions and conditions set forth in the "TOSHIBA Semiconductor Reliability Handbook" and (b) the instructions for the application with which the Product will be used with or for. Customers are solely responsible for all aspects of their own product design or applications, including but not limited to (a) determining the appropriateness of the use of this Product in such design or applications; (b) evaluating and determining the applicability of any information contained in this document, or in charts, diagrams, programs, algorithms, sample application circuits, or any other referenced documents; and (c) validating all operating parameters for such designs and applications. **TOSHIBA ASSUMES NO LIABILITY FOR CUSTOMERS' PRODUCT DESIGN OR APPLICATIONS.**
- **PRODUCT IS NEITHER INTENDED NOR WARRANTED FOR USE IN EQUIPMENTS OR SYSTEMS THAT REQUIRE EXTRAORDINARILY HIGH LEVELS OF QUALITY AND/OR RELIABILITY, AND/OR A MALFUNCTION OR FAILURE OF WHICH MAY CAUSE LOSS OF HUMAN LIFE, BODILY INJURY, SERIOUS PROPERTY DAMAGE AND/OR SERIOUS PUBLIC IMPACT ("UNINTENDED USE").** Except for specific applications as expressly stated in this document, Unintended Use includes, without limitation, equipment used in nuclear facilities, equipment used in the aerospace industry, medical equipment, equipment used for automobiles, trains, ships and other transportation, traffic signaling equipment, equipment used to control combustions or explosions, safety devices, elevators and escalators, devices related to electric power, and equipment used in finance-related fields. **IF YOU USE PRODUCT FOR UNINTENDED USE, TOSHIBA ASSUMES NO LIABILITY FOR PRODUCT.** For details, please contact your TOSHIBA sales representative.
- Do not disassemble, analyze, reverse-engineer, alter, modify, translate or copy Product, whether in whole or in part.
- Product shall not be used for or incorporated into any products or systems whose manufacture, use, or sale is prohibited under any applicable laws or regulations.
- The information contained herein is presented only as guidance for Product use. No responsibility is assumed by TOSHIBA for any infringement of patents or any other intellectual property rights of third parties that may result from the use of Product. No license to any intellectual property right is granted by this document, whether express or implied, by estoppel or otherwise.
- **ABSENT A WRITTEN SIGNED AGREEMENT, EXCEPT AS PROVIDED IN THE RELEVANT TERMS AND CONDITIONS OF SALE FOR PRODUCT, AND TO THE MAXIMUM EXTENT ALLOWABLE BY LAW, TOSHIBA (1) ASSUMES NO LIABILITY WHATSOEVER, INCLUDING WITHOUT LIMITATION, INDIRECT, CONSEQUENTIAL, SPECIAL, OR INCIDENTAL DAMAGES OR LOSS, INCLUDING WITHOUT LIMITATION, LOSS OF PROFITS, LOSS OF OPPORTUNITIES, BUSINESS INTERRUPTION AND LOSS OF DATA, AND (2) DISCLAIMS ANY AND ALL EXPRESS OR IMPLIED WARRANTIES AND CONDITIONS RELATED TO SALE, USE OF PRODUCT, OR INFORMATION, INCLUDING WARRANTIES OR CONDITIONS OF MERCHANTABILITY, FITNESS FOR A PARTICULAR PURPOSE, ACCURACY OF INFORMATION, OR NONINFRINGEMENT.**
- Do not use or otherwise make available Product or related software or technology for any military purposes, including without limitation, for the design, development, use, stockpiling or manufacturing of nuclear, chemical, or biological weapons or missile technology products (mass destruction weapons). Product and related software and technology may be controlled under the applicable export laws and regulations including, without limitation, the Japanese Foreign Exchange and Foreign Trade Law and the U.S. Export Administration Regulations. Export and re-export of Product or related software or technology are strictly prohibited except in compliance with all applicable export laws and regulations.
- Please contact your TOSHIBA sales representative for details as to environmental matters such as the RoHS compatibility of Product. Please use Product in compliance with all applicable laws and regulations that regulate the inclusion or use of controlled substances, including without limitation, the EU RoHS Directive. **TOSHIBA ASSUMES NO LIABILITY FOR DAMAGES OR LOSSES OCCURRING AS A RESULT OF NONCOMPLIANCE WITH APPLICABLE LAWS AND REGULATIONS.**