

TOSHIBA BiCD Process Integrated Circuit Silicon Monolithic

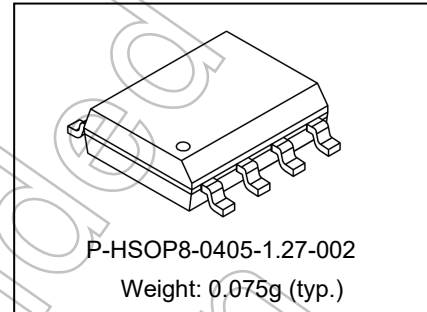
TB67H451FNG

PWM Chopper Type DC Brushed Motor Driver

The TB67H451FNG is a PWM chopper type DC brushed motor driver.

One channel of motor output block is embedded.

Fabricated with the BiCD process, the TB67H451FNG is rated at output voltage 50 V, maximum current 3.5A.



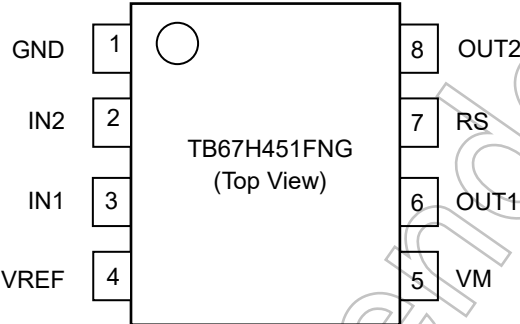
Features

- Monolithic IC using BiCD process
- Capable of PWM constant current drive and direct PWM drive
- Supporting 4 operation modes, Forward / Reverse / Brake / STOP (OFF)
- Built-in output MOSFET with Low on-resistance (High side + low side=0.6Ω(typ.))
- Realization of high voltage and large current drive (Refer to “Absolute maximum ratings” and “Operating range”.)
- Built-in various error detection functions (Thermal shutdown (TSD), over current detection (ISD), and Under voltage lockout(UVLO))
- Built-in VCC regulator for the internal circuit operation.

Note: Please be careful about the thermal conditions during use.

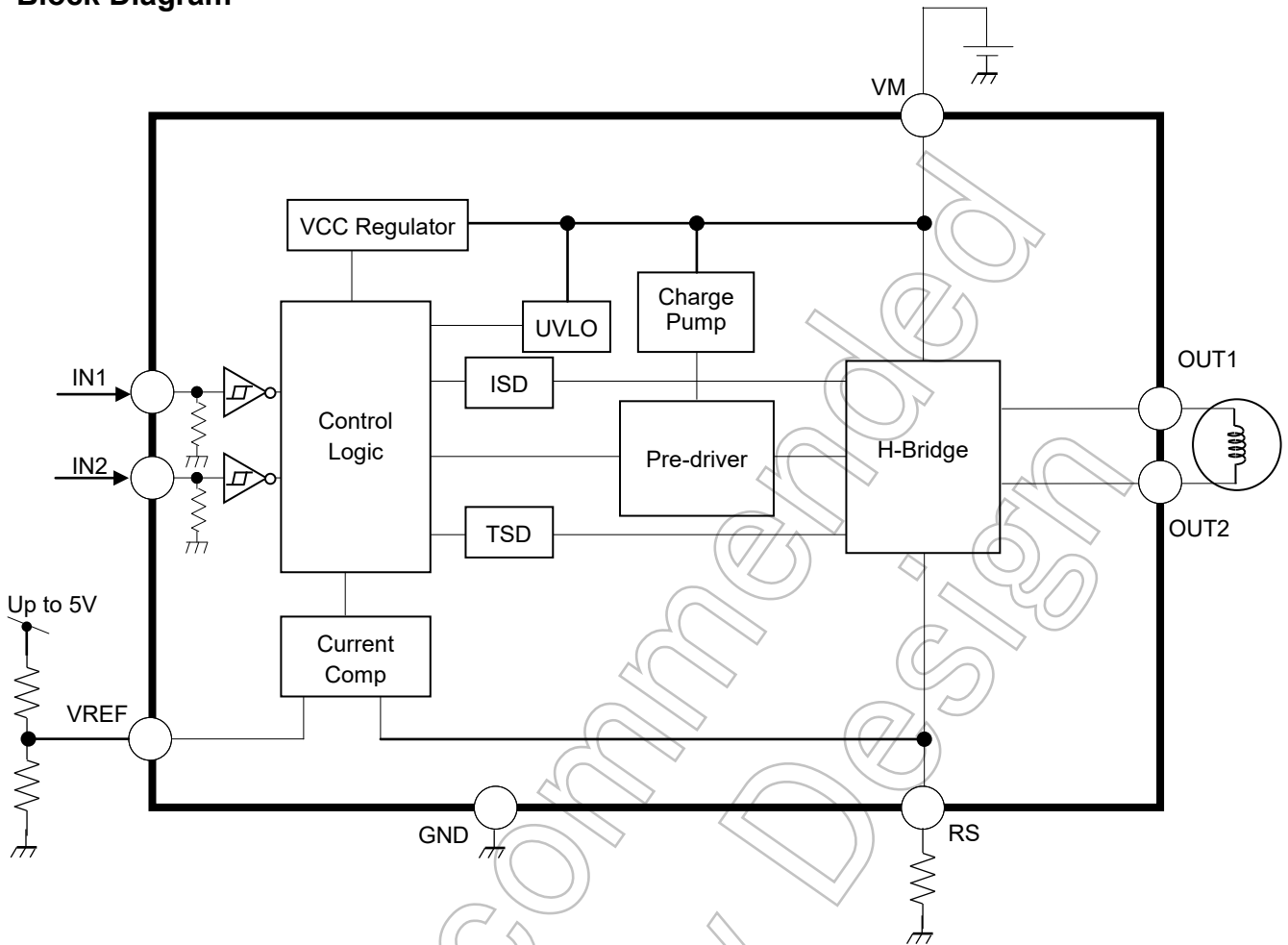
Start of commercial production
2020-01

Pin Assignment



Not Recommended for New Design

Block Diagram



Some of the functional blocks, circuits, or constants in the block diagram may be omitted or simplified for explanatory purposes.

Note: All the grounding wires of the TB67H451FNG must run on the solder mask of the PCB. It must also be externally terminated at a single point. Also, the grounding method should be considered for efficient heat dissipation.

Careful attention should be paid to the layout of the output, VM and GND traces, to avoid short circuits across output pins or to the power supply or ground. If such a short circuit occurs, the device may be permanently damaged. Also, the utmost care should be taken for pattern designing and implementation of the device since it has power supply pins (VM, RS, OUT1, OUT2, and GND) through which a particularly large current may run. If these pins are wired incorrectly, an operation error may occur or the device may be destroyed.

The logic input pins must also be wired correctly. Otherwise, the device may be damaged owing to a current running through the IC that is larger than the specified current. Careful attention should be paid to design patterns and mountings.

Pin Description

Pin description of pin No. 1 to 8.

| Pin No. | Pin name | Description |
|---------|----------|----------------------------------|
| 1 | GND | Ground pin |
| 2 | IN2 | Logic input pin 2 |
| 3 | IN1 | Logic input pin 1 |
| 4 | VREF | Motor output current setting pin |
| 5 | VM | Motor power supply |
| 6 | OUT1 | Motor output pin 1 |
| 7 | RS | Motor output current sense pin |
| 8 | OUT2 | Motor output pin 2 |

Not Recommended
for New Design

Input and Output Equivalent Circuit

| Pin name | Input / Output signal | Equivalent circuit |
|--------------------|---|---|
| IN1 IN2 | Logic input (VIN(H)/VIN(L)) VIN(H): 2.0 V (min) to 5.5 V (max) VIN(L): 0 V (min) to 0.8 V (max) | <p>Logic input pin</p> <p>1 kΩ</p> <p>100 kΩ</p> <p>GND</p> |
| VREF | VREF applied voltage range 0 V to 4.0 V | <p>Internal power supply</p> <p>VREF</p> <p>1 kΩ</p> |
| OUT1 OUT2 RS | Operating range of VM power supply voltage 4.5 V (min) to 44 V (max) OUT pin voltage 4.5 V (min) to 50 V (max) | <p>VM</p> <p>OUT1</p> <p>OUT2</p> <p>RS</p> |

The equivalent circuit may be omitted or simplified for explanatory purposes.

Functional Description

Input and output function

| IN1 | IN2 | OUT1 | OUT2 | Mode |
|-----|-----|------------|------------|-------------------------|
| L | L | OFF (Hi-Z) | OFF (Hi-Z) | Stop |
| | | | | Standby mode after 1 ms |
| H | L | H | L | Forward |
| L | H | L | H | Reverse |
| H | H | L | L | Brake |

Current path: Forward rotation (OUT1 to OUT2), Reverse rotation (OUT2 to OUT1)

Standby mode

When both IN1 and IN2 pins are set to L for 1 ms (typ.), the operation mode translates to the standby mode.

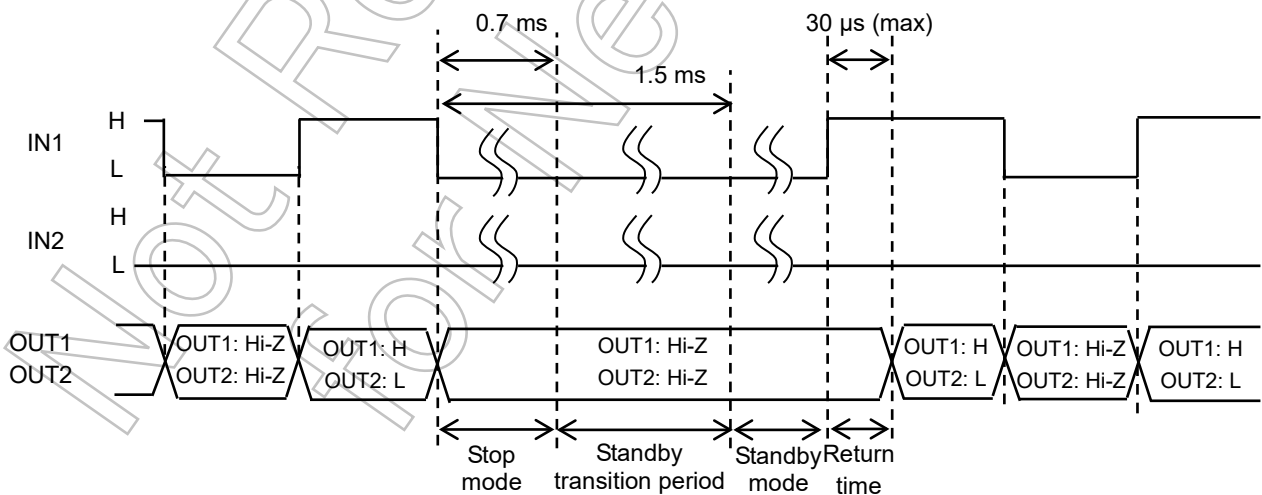
| Item | Min | Typ. | Max | Unit |
|-----------------|-----|------|-----|------|
| Time to standby | 0.7 | 1 | 1.5 | ms |

The following period in which both IN1 and IN2 pins are set to L is the standby transition period. Do not change the input states during this period since the IC becomes unstable.

- If [STOP] mode is used, set period of IN1 =L and IN2 =L to 0.7 ms or less.
- If [Standby] mode is used, set period of IN1 =L and IN2 =L to 1.5 ms or more.

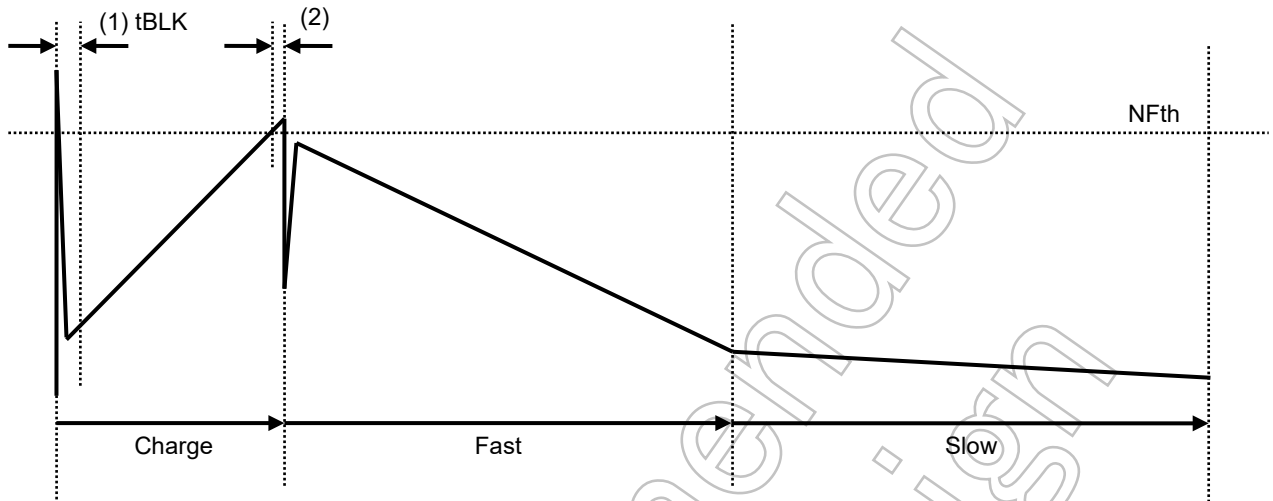
In standby mode, when IN1 or IN2 is set to H, the mode returns from the standby mode, and enters to the operation mode. Maximum 30 μ s is required for the return time from the standby release.

The OUT1 and OUT2 outputs operate after 30 μ s (max) from the standby release.



Constant current PWM blanking time

In TB67H451FNG, the following blanking time is set to prevent a spike current and external noise which are generated during driving a motor.



The timing charts or constants may be omitted or simplified for explanatory.

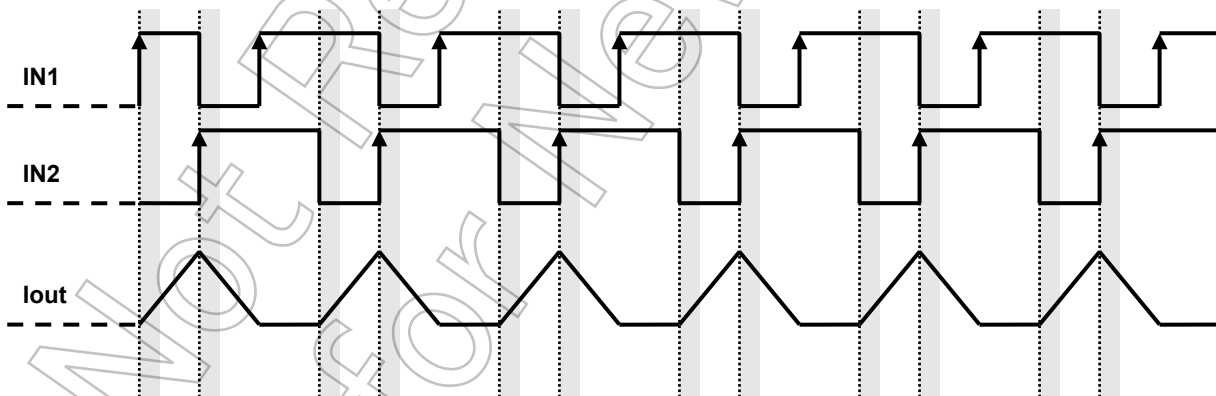
tBLK (For preventing incorrect detection of a spike current at changing from Decay to Charge): 3.6 μ s (typ.): (1)

The blanking time, 400 ns (typ.) is also set for preventing an incorrect detection around setting current value (NFth): (2)

* The time widths shown in the above figure are the design values, and the values are not guaranteed.

Blanking time between Input signal and tBLK

The tBLK is intended to avoid inrush current detection. The TB67H451FNG not only can be controlled by constant current PWM, but also by direct PWM; with IN control signals. Therefore the tBLK is set at each IN switch timing; shown with gray in the timing chart below.

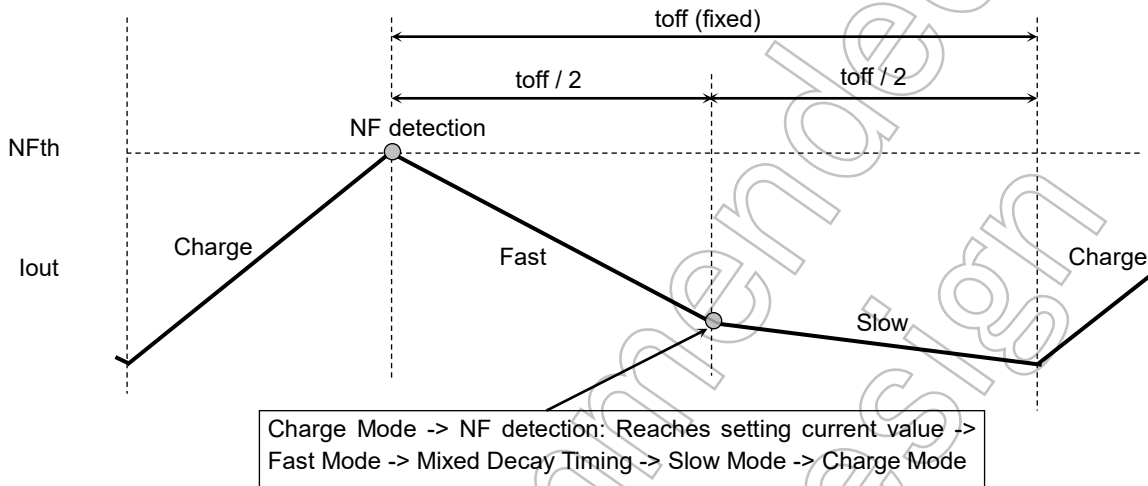


Timing charts may be simplified for explanatory purposes.

Motor control (Constant current control)

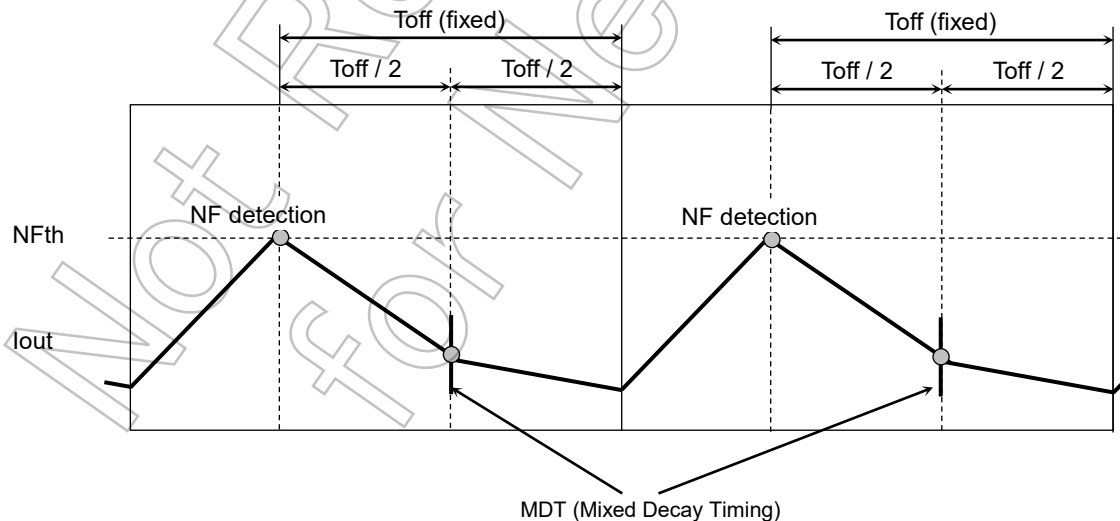
Current waveform in Mixed Decay Mode and the setting

In case of constant current control, the OFF time (toff) is fixed to determine the current ripple (pulsating), and the rate of Mix Decay Mode is 50 % in Fast Mode, and 50% in Slow mode.



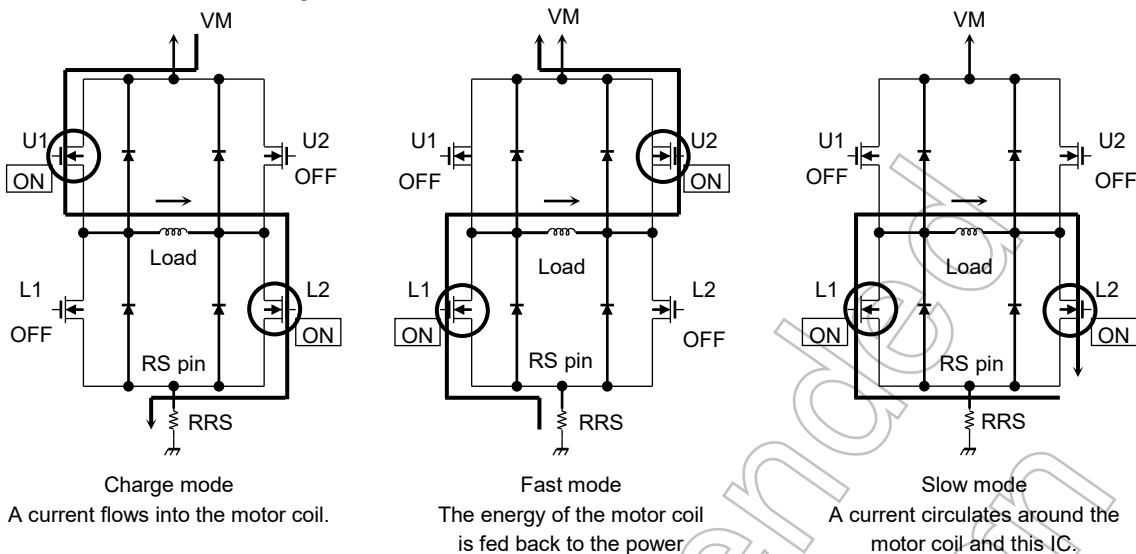
If the output current is zero-detected during Fast mode, the output becomes High impedance.

Waveform in Mixed Decay Mode (Current waveform)



Timing charts may be simplified for explanatory purposes.

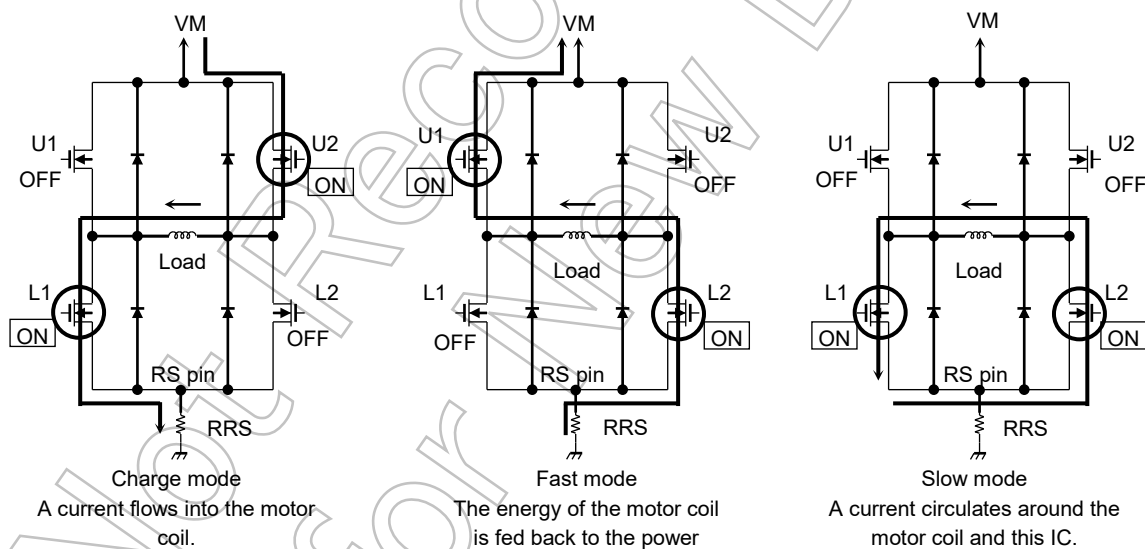
Operation Mode of Output Transistor



Operation Function of Output Transistor

| Mode | U1 | U2 | L1 | L2 |
|--------|-----|-----|-----|-----|
| Charge | ON | OFF | OFF | ON |
| Fast | OFF | ON | ON | OFF |
| Slow | OFF | OFF | ON | ON |

Note: The parameters shown in the table above are examples when the current flows in the directions shown in the figures above. For the current flowing in the reverse direction, the parameters change as shown in the table below.



| Mode | U1 | U2 | L1 | L2 |
|--------|-----|-----|-----|-----|
| Charge | OFF | ON | ON | OFF |
| Fast | ON | OFF | OFF | ON |
| Slow | OFF | OFF | ON | ON |

This IC controls the motor current to be constant by 3 modes listed above.

The equivalent circuit diagrams may be simplified or some parts of them may be omitted for explanatory purposes.

Note: In the timing of an output switching, the time to prevent a through current is predefined (200 ns to 300 ns (design value)).

Calculation of Predefined Output Current

This IC controls a motor operation by PWM constant current control. The peak current value (setting current value) can be determined by settings of the current-sensing resistor (RRS) and the reference voltage (Vref).

$$I_{out}(\max) = V_{ref}(\text{gain}) \times \frac{V_{ref}(\text{V})}{RRS(\Omega)}$$

Vref (gain): The Vref decay rate is 1 / 10.0 (typ.).

Example: In case of 100% setting

When Vref is 3.0 V and RRS is 0.51 Ω , the motor constant current (Peak current) is calculated as:

$$I_{out} = 3.0 \text{ V} / 10.0 / 0.51 \Omega = 0.59 \text{ A}$$

If the constant current control function is disabled, the RS pin should be connected to GND, and the voltage (1 to 5V) is input to VREF pin.

Not Recommended
for New Design

Absolute Maximum Ratings (Ta = 25°C)

| Characteristics | Symbol | Rating | Unit | Remarks |
|---------------------------------|--------|------------|------|----------------|
| Motor power supply (non active) | VM | 50 | V | Standby mode |
| Motor power supply (active) | | -0.4 to 44 | V | Operation mode |
| Motor output voltage | Vout | 50 | V | — |
| Motor output current | Iout | 3.5 | A | (Note 1) |
| Logic input pin voltage | VIN(H) | 6.0 | V | — |
| | VIN(L) | -0.4 | V | — |
| VREF pin voltage | Vref | 0 to 5.5 | V | — |
| Power dissipation | PD | 2.85 | W | (Note 2) |
| Operating temperature | Topr | -40 to 85 | °C | — |
| Storage temperature | Tstg | -55 to 150 | °C | — |
| Junction temperature | Tj | 150 | °C | — |

Note 1: The maximum current value in normal operation should be used at 70% or less ($I_{out} \leq 2.45A$) of the absolute maximum ratings after thermal calculation. The maximum output current may be further limited in view of thermal considerations, depending on ambient temperature and board conditions.

Note 2: On PCB (JEDEC 4 layers). When the ambient temperature exceeds above $T_a = 25^\circ C$, derate the power dissipation by 22.8 mW/°C.

Ta : Ambient temperature

Topr : Ambient temperature while the device is active.

Tj : Junction temperature while the device is active. The maximum junction temperature is limited by thermal shutdown (TSD) circuitry. It is advisable to keep the maximum current below a certain level so that the maximum junction temperature, Tj (max), will not exceed 120°C.

Caution) Absolute maximum ratings

The absolute maximum ratings of a semiconductor device are a set of ratings that must not be exceeded, even for a moment. Do not exceed any of these ratings. Exceeding the rating (s) may cause device breakdown, damage or deterioration, and may result in injury by explosion or combustion. The value of even one parameter of the absolute maximum ratings should not be exceeded under any circumstances. The TB67H451FNG does not have overvoltage detection circuit. Therefore, the device is damaged if a voltage exceeding its rated maximum is applied. All voltage ratings, including supply voltages, must always be followed. The other notes and considerations described later should also be referred to.

Operating Range (Ta=-40 to 85°C)

| Characteristics | Symbol | Min | Typ. | Max | Unit | Remarks |
|--|--------|-----|------|-----|------|------------------------|
| Motor power supply voltage | VM | 4.5 | 24 | 44 | V | — |
| Motor output current | Iout | — | 1.5 | 3.0 | A | — |
| Input range of control logic frequency | fLOGIC | — | — | 400 | kHz | IN1, IN2 |
| Input range of Vref voltage | Vref | 0 | 2.0 | 4.0 | V | Constant current drive |

Note: The actual maximum current may be limited by the operating environment (operating conditions such operating duration, or by the surrounding temperature or board heat dissipation). Determine a realistic maximum current by calculating the heat generated under the operating environment.

Electrical Characteristics 1 (Ta=25°C, VM=24 V unless otherwise specified)

| Characteristics | | Symbol | Test conditions | Min | Typ. | Max | Unit |
|--|------|----------|--|-----|------|-----|------|
| Logic input pin Input voltage | HIGH | VIN(H) | Logic input pins | 2.0 | — | 5.5 | V |
| | LOW | VIN(L) | Logic input pins | 0 | — | 0.8 | V |
| Input hysteresis | | VIN(HYS) | Logic input pins (Note 1) | 100 | — | 300 | mV |
| Logic input pin Input current | HIGH | IIN(H) | Test logic input pins: 3.3 V | — | 33 | 55 | μA |
| | LOW | IIN(L) | Test logic input pins: 0 V | — | — | 1 | μA |
| Current consumption | | IM1 | Output: Open Standby mode (IN1/IN2=Low) | — | — | 1 | μA |
| | | IM2 | Output: Open Brake mode (IN1/IN2=High) | — | 3 | 4 | mA |
| | | IM3 | Output: Open fPWM=30kHz | — | 3.5 | 5 | mA |
| Motor output Leakage current | High | IOH | VM=50 V, Vout=0 V Standby mode (IN1/IN2=Low) | — | — | 1 | μA |
| | Low | IOL | VM=Vout=50 V Standby mode (IN1/IN2=Low) | -1 | — | — | μA |
| Output setting current accuracy | | ΔIout | Iout=1.5 A | -5 | 0 | 5 | % |
| RS pin current | | IRS | VRS=0V, VM=24 V Standby mode (IN1/IN2=Low) | 0 | — | 1 | μA |
| Output transistor On-resistance between drain and source (High side + low side) | | Ron(H+L) | Tj=25°C, Forward direction (High side + low side) Iout=1.5 A | — | 0.6 | 0.8 | Ω |

Note 1: VIN (HYS) is defined as the difference between VIN (H) and VIN (L). VIN (H) is the voltage when the voltage (VIN) to the input pins (IN1 and IN2) is raised and the output pins (OUT1 and OUT2) change from H to L. VIN (L) is the voltage when the VIN (H) is lowered and the output pins (OUT1 and OUT2) change from L to H.
 $VIN (HYS) = VIN (H) - VIN (L)$

Note: The internal circuits are designed to avoid EMF or leakage current; when the logic signal is applied while the VM is not supplied. Please consider the control signal timing before supplying the VM.

Electrical Characteristics 2 (Ta =25°C, VM = 24 V, unless otherwise specified)

| Characteristics | Symbol | Test conditions | Min | Typ. | Max | Unit |
|---|------------|-----------------|--------|------|-------|------|
| VREF pin input current | Iref | Vref=2.0 V | — | 0 | 1 | μA |
| Vref attenuation ratio | Vref(gain) | Vref=2.0 V | 1/10.4 | 1/10 | 1/9.6 | — |
| Thermal shutdown (TSD) circuit operating temperature (Note 1) | TJTSD | — | 150 | 160 | 175 | °C |
| Thermal shutdown (TSD) hysteresis | TJTSDhys | — | — | 30 | — | °C |
| UVLO voltage (Note 2) | VUVLO | At rising VM | 3.8 | 4.0 | 4.2 | V |
| UVLO hysteresis voltage | Vhys_uvlo | — | — | 200 | — | mV |
| Over current detection (ISD) circuit operating current (Note 3) | ISD | — | 4.1 | 4.9 | 5.7 | A |

Note 1: Thermal shutdown (TSD) *auto return

When the junction temperature of the IC reaches the TSD threshold, the TSD circuit is triggered; the internal reset circuit then turns off the output transistors. In order to avoid malfunction by switching etc., detection mask time is prepared inside IC. Since the operating temperature of TSD circuit has a hysteresis width, the IC returns automatically when the junction temperature is lowered to the temperature to return.

The TSD circuit is a backup function to detect a thermal error, therefore is not recommended to be used aggressively.

Note 2: Under voltage lockout (UVLO)

When the supply voltage to VM pin is 3.8V or less, the internal circuit is triggered; the internal reset circuit then turns off the output transistors. Once the UVLO is triggered, it can be cleared by reasserting the VM supply voltage to 4.0V or more (typ.)

Note 3: Over current detection (ISD) auto return

When the output current reaches the threshold, the ISD circuit is triggered; the internal reset circuit then turns off the output transistors. In order to avoid malfunction by switching etc., detection mask time is prepared inside IC. The IC operation recovers automatically after specified recovery time passes.

Additionally, the IC has a circuit as a short circuit detection of output pins (OUT1 and OUT2) which are adjacent to RS pin, if the voltage more than the threshold is applied to RS pin, the circuit turns off the output transistors.

Not Recommended for New Design

Back-EMF

While a motor is rotating, there is a timing at which power is fed back to the power supply. At that timing, the motor current recirculates back to the power supply due to the effect of the motor back-EMF.

If the power supply does not have enough sink capability, the power supply and output pins of the device might rise above the rated voltages. The magnitude of the motor back-EMF varies with usage conditions and motor characteristics. It must be fully verified that there is no risk that the TB67H451FNG or other components will be damaged or fail due to the motor back-EMF.

Cautions on Overcurrent Shutdown (ISD) and Thermal Shutdown (TSD)

The ISD and TSD circuits are only intended to provide temporary protection against irregular conditions such as an output short-circuit; they do not necessarily guarantee the complete IC safety.

If the device is used beyond the specified operating ranges, these circuits may not operate properly: then the device may be damaged due to an output short-circuit.

The ISD circuit is only intended to provide a temporary protection against an output short-circuit. If such a condition persists for a long time, the device may be damaged due to overstress. Overcurrent conditions must be removed immediately by external hardware.

IC Mounting

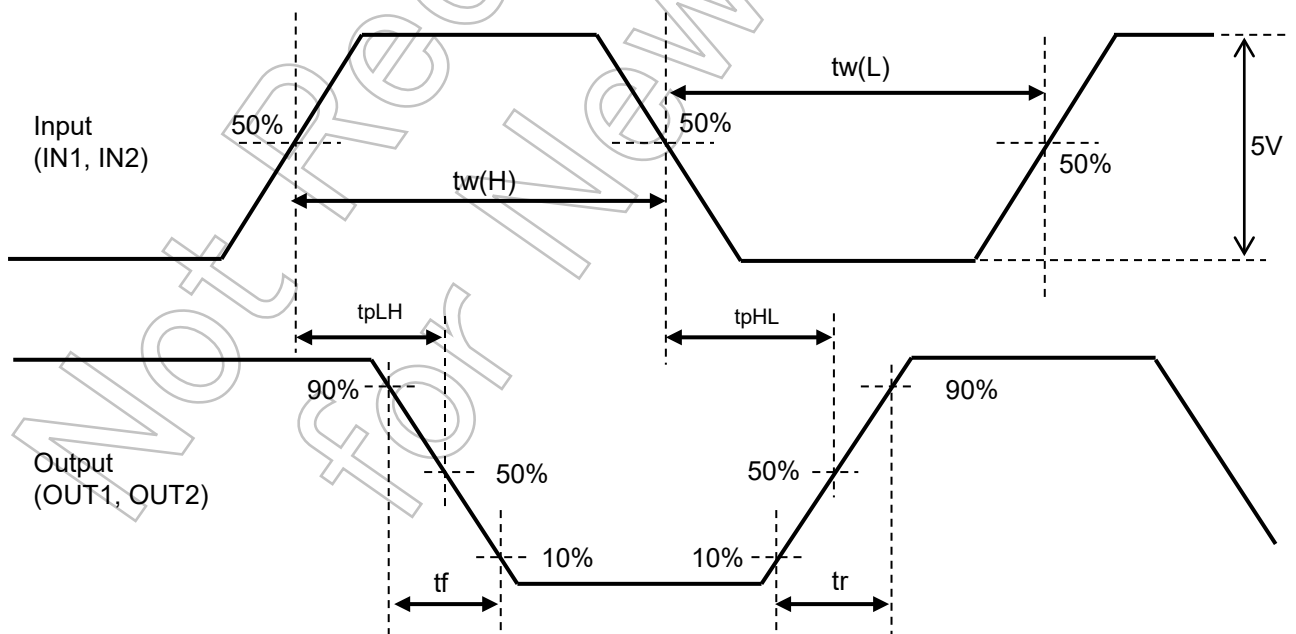
Do not insert devices incorrectly or in the wrong orientation. Otherwise, it may cause breakdown, damage and/or deterioration of the device.

Not Recommended for New Design

AC Electrical Characteristics (Ta = 25°C, VM = 24 V, output load condition 6.8 mH/5.7 Ω, unless otherwise specified)

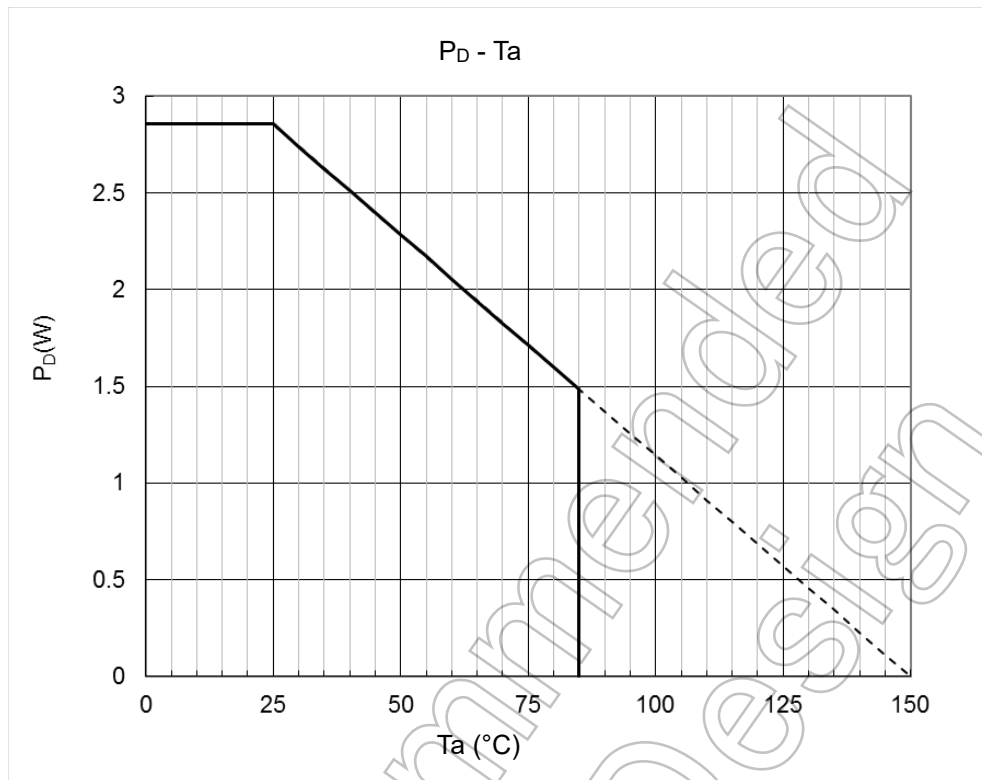
| Characteristics | Symbol | Test condition | Min | Typ. | Max | Unit |
|---|------------|-------------------|-----|------|-----|------|
| Minimum input pulse width of IN1 and IN2 | tw(H) | — | 500 | — | — | ns |
| | tw(L) | — | 500 | — | — | |
| Output transistor switching characteristics | tr | — | 30 | 60 | 120 | ns |
| | tf | — | 40 | 80 | 160 | |
| | tpLH | IN1 and IN2 - OUT | — | 500 | — | |
| | tpHL | IN1 and IN2 - OUT | — | 500 | — | |
| Blanking time of noise rejection | tBLK | — | — | 3.6 | — | μs |
| Fixed OFF time | toff | — | 19 | 25 | 36 | μs |
| Time to standby | tstby | IN1=IN2=Low | 0.7 | 1 | 1.5 | ms |
| Standby return time | | — | — | — | 30 | μs |
| Mask time of over current detection (ISD) | tISD(mask) | — | — | 1.5 | — | μs |
| OFF time of over current detection (ISD) | tISD(off) | — | — | 3 | — | ms |
| Mask time of thermal shutdown (TSD) | tTSD(mask) | — | 2.0 | 5.0 | 8.0 | μs |

Timing chart of AC characteristics



Timing charts may be simplified for explanatory purposes.

(Reference) Relation between Power dissipation and Ambient Temperature



When mounted on the board (JEDEC 4 layers)

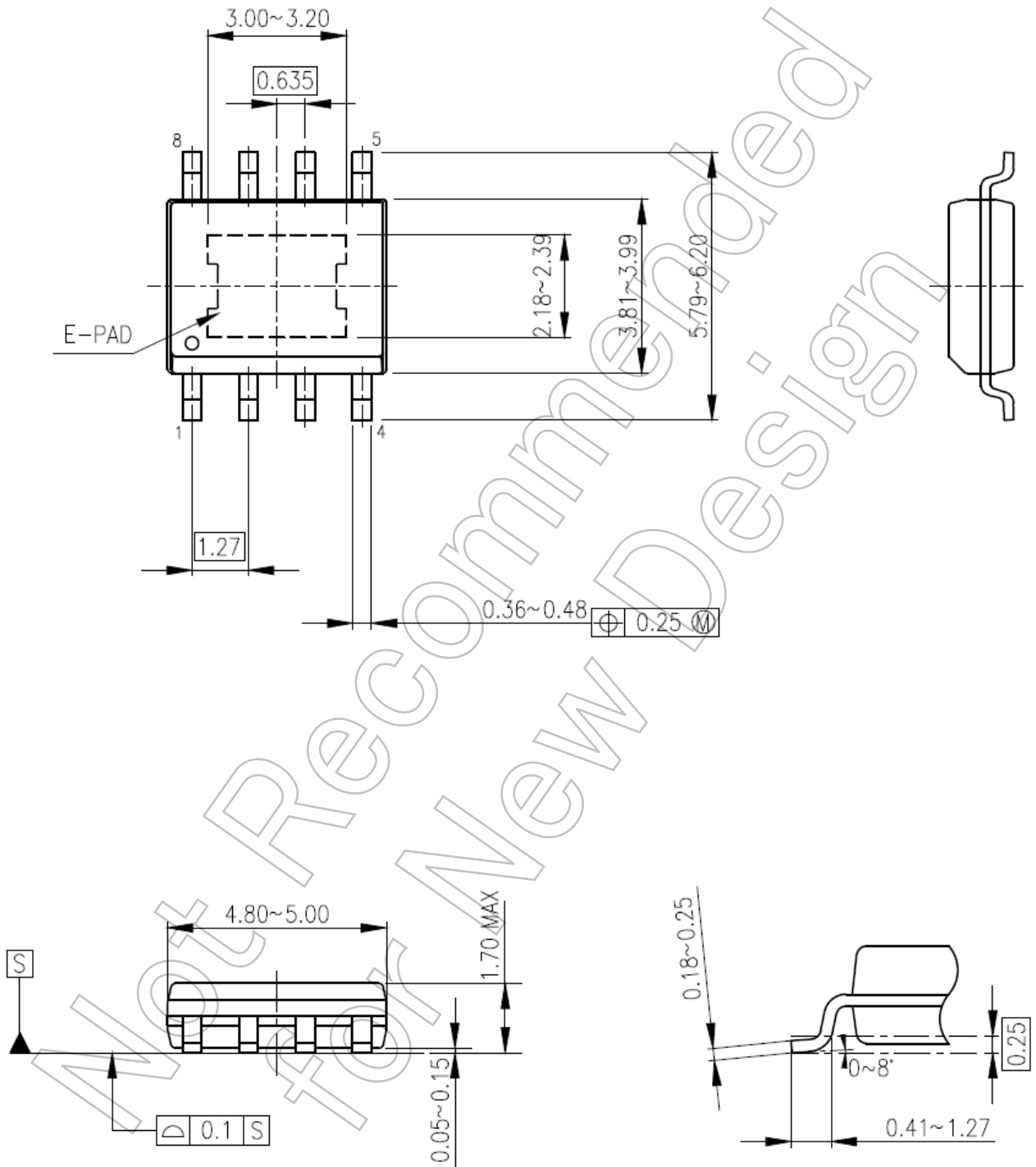
This value is dependent on a substrate pattern and mounting conditions. Moreover, when ambient temperature is high, permissible power consumption becomes small.

Not Recommended for New Design

Package Dimensions

P-HSOP8-0405-1.27-002

(Unit: mm)



Weight 0.075g (typ.)

Notes on Contents

- (1) Block Diagrams
Some of the functional blocks, circuits, or constants in the block diagram may be omitted or simplified for explanatory purposes.
- (2) Equivalent Circuits
The equivalent circuit diagrams may be simplified or some parts of them may be omitted for explanatory purposes.
- (3) Timing Charts
Timing charts may be simplified for explanatory purposes.
- (4) Application Circuits
The application circuits shown in this document are provided for reference purposes only. Thorough evaluation is required, especially at the mass production design stage. Providing these application circuit examples does not grant a license for industrial property rights.

IC Usage Considerations

Notes on handling of ICs

- [1] The absolute maximum ratings of a semiconductor device are a set of ratings that must not be exceeded, even for a moment. Do not exceed any of these ratings.
Exceeding the rating(s) may cause the device breakdown, damage or deterioration, and may result injury by explosion or combustion.
- [2] Use an appropriate power supply fuse to ensure that a large current does not continuously flow in case of over current and/or IC failure. The IC will fully break down when used under conditions that exceed its absolute maximum ratings, when the wiring is routed improperly or when an abnormal pulse noise occurs from the wiring or load, causing a large current to continuously flow and the breakdown can lead smoke or ignition. To minimize the effects of the flow of a large current in case of breakdown, appropriate settings, such as fuse capacity, fusing time and insertion circuit location, are required.
- [3] If your design includes an inductive load such as a motor coil, incorporate a protection circuit into the design to prevent device malfunction or breakdown caused by the current resulting from the inrush current at power ON or the negative current resulting from the back electromotive force at power OFF. IC breakdown may cause injury, smoke or ignition.
Use a stable power supply with ICs with built-in protection functions. If the power supply is unstable, the protection function may not operate, causing IC breakdown. IC breakdown may cause injury, smoke or ignition.
- [4] Do not insert devices in the wrong orientation or incorrectly.
Make sure that the positive and negative terminals of power supplies are connected properly.
Otherwise, the current or power consumption may exceed the absolute maximum rating, and exceeding the rating(s) may cause the device breakdown, damage or deterioration, and may result injury by explosion or combustion.
In addition, do not use any device that is applied the current with inserting in the wrong orientation or incorrectly even just one time.
- [5] Carefully select external components (such as inputs and negative feedback capacitors) and load components (such as speakers), for example, power amp and regulator.
If there is a large amount of leakage current such as input or negative feedback condenser, the IC output DC voltage will increase. If this output voltage is connected to a speaker with low input withstand voltage, overcurrent or IC failure can cause smoke or ignition. (The over current can cause smoke or ignition from the IC itself.) In particular, please pay attention when using a Bridge Tied Load (BTL) connection type IC that inputs output DC voltage to a speaker directly.

Points to remember on handling of ICs

(1) Over current Protection Circuit

Over current protection circuits (referred to as current limiter circuits) do not necessarily protect ICs under all circumstances. If the over current protection circuits operate against the over current, clear the over current status immediately.

Depending on the method of use and usage conditions, such as exceeding absolute maximum ratings can cause the over current protection circuit to not operate properly or IC breakdown before operation. In addition, depending on the method of use and usage conditions, if over current continues to flow for a long time after operation, the IC may generate heat resulting in breakdown.

(2) Thermal Shutdown Circuit

Thermal shutdown circuits do not necessarily protect ICs under all circumstances. If the thermal shutdown circuits operate against the over temperature, clear the heat generation status immediately.

Depending on the method of use and usage conditions, such as exceeding absolute maximum ratings can cause the thermal shutdown circuit to not operate properly or IC breakdown before operation.

(3) Heat Radiation Design

In using an IC with large current flow such as power amp, regulator or driver, please design the device so that heat is appropriately radiated, not to exceed the specified junction temperature (T_j) at any time and condition. These ICs generate heat even during normal use. An inadequate IC heat radiation design can lead to decrease in IC life, deterioration of IC characteristics or IC breakdown. In addition, please design the device taking into consideration the effect of IC heat radiation with peripheral components.

(4) Back-EMF

When a motor reverses the rotation direction, stops or slows down abruptly, a current flow back to the motor's power supply due to the effect of back-EMF. If the current sink capability of the power supply is small, the device's motor power supply and output pins might be exposed to conditions beyond absolute maximum ratings. To avoid this problem, take the effect of back-EMF into consideration in system design.

Not Recommended for New Design

Revision history

| Version | Notes | Revision date |
|---------|---|---------------|
| 1.0 | New release | 2019-11-11 |
| 2.0 | Added the explanation to the standby mode | 2020-11-26 |

Not Recommended
for New Design

RESTRICTIONS ON PRODUCT USE

Toshiba Corporation and its subsidiaries and affiliates are collectively referred to as "TOSHIBA". Hardware, software and systems described in this document are collectively referred to as "Product".

- TOSHIBA reserves the right to make changes to the information in this document and related Product without notice.
- This document and any information herein may not be reproduced without prior written permission from TOSHIBA. Even with TOSHIBA's written permission, reproduction is permissible only if reproduction is without alteration/omission.
- Though TOSHIBA works continually to improve Product's quality and reliability, Product can malfunction or fail. Customers are responsible for complying with safety standards and for providing adequate designs and safeguards for their hardware, software and systems which minimize risk and avoid situations in which a malfunction or failure of Product could cause loss of human life, bodily injury or damage to property, including data loss or corruption. Before customers use the Product, create designs including the Product, or incorporate the Product into their own applications, customers must also refer to and comply with (a) the latest versions of all relevant TOSHIBA information, including without limitation, this document, the specifications, the data sheets and application notes for Product and the precautions and conditions set forth in the "TOSHIBA Semiconductor Reliability Handbook" and (b) the instructions for the application with which the Product will be used with or for. Customers are solely responsible for all aspects of their own product design or applications, including but not limited to (a) determining the appropriateness of the use of this Product in such design or applications; (b) evaluating and determining the applicability of any information contained in this document, or in charts, diagrams, programs, algorithms, sample application circuits, or any other referenced documents; and (c) validating all operating parameters for such designs and applications. **TOSHIBA ASSUMES NO LIABILITY FOR CUSTOMERS' PRODUCT DESIGN OR APPLICATIONS.**
- **PRODUCT IS NEITHER INTENDED NOR WARRANTED FOR USE IN EQUIPMENTS OR SYSTEMS THAT REQUIRE EXTRAORDINARILY HIGH LEVELS OF QUALITY AND/OR RELIABILITY, AND/OR A MALFUNCTION OR FAILURE OF WHICH MAY CAUSE LOSS OF HUMAN LIFE, BODILY INJURY, SERIOUS PROPERTY DAMAGE AND/OR SERIOUS PUBLIC IMPACT ("UNINTENDED USE").** Except for specific applications as expressly stated in this document, Unintended Use includes, without limitation, equipment used in nuclear facilities, equipment used in the aerospace industry, lifesaving and/or life supporting medical equipment, equipment used for automobiles, trains, ships and other transportation, traffic signaling equipment, equipment used to control combustions or explosions, safety devices, elevators and escalators, and devices related to power plant. **IF YOU USE PRODUCT FOR UNINTENDED USE, TOSHIBA ASSUMES NO LIABILITY FOR PRODUCT.** For details, please contact your TOSHIBA sales representative or contact us via our website.
- Do not disassemble, analyze, reverse-engineer, alter, modify, translate or copy Product, whether in whole or in part.
- Product shall not be used for or incorporated into any products or systems whose manufacture, use, or sale is prohibited under any applicable laws or regulations.
- The information contained herein is presented only as guidance for Product use. No responsibility is assumed by TOSHIBA for any infringement of patents or any other intellectual property rights of third parties that may result from the use of Product. No license to any intellectual property right is granted by this document, whether express or implied, by estoppel or otherwise.
- **ABSENT A WRITTEN SIGNED AGREEMENT, EXCEPT AS PROVIDED IN THE RELEVANT TERMS AND CONDITIONS OF SALE FOR PRODUCT, AND TO THE MAXIMUM EXTENT ALLOWABLE BY LAW, TOSHIBA (1) ASSUMES NO LIABILITY WHATSOEVER, INCLUDING WITHOUT LIMITATION, INDIRECT, CONSEQUENTIAL, SPECIAL, OR INCIDENTAL DAMAGES OR LOSS, INCLUDING WITHOUT LIMITATION, LOSS OF PROFITS, LOSS OF OPPORTUNITIES, BUSINESS INTERRUPTION AND LOSS OF DATA, AND (2) DISCLAIMS ANY AND ALL EXPRESS OR IMPLIED WARRANTIES AND CONDITIONS RELATED TO SALE, USE OF PRODUCT, OR INFORMATION, INCLUDING WARRANTIES OR CONDITIONS OF MERCHANTABILITY, FITNESS FOR A PARTICULAR PURPOSE, ACCURACY OF INFORMATION, OR NONINFRINGEMENT.**
- Do not use or otherwise make available Product or related software or technology for any military purposes, including without limitation, for the design, development, use, stockpiling or manufacturing of nuclear, chemical, or biological weapons or missile technology products (mass destruction weapons). Product and related software and technology may be controlled under the applicable export laws and regulations including, without limitation, the Japanese Foreign Exchange and Foreign Trade Law and the U.S. Export Administration Regulations. Export and re-export of Product or related software or technology are strictly prohibited except in compliance with all applicable export laws and regulations.
- Please contact your TOSHIBA sales representative for details as to environmental matters such as the RoHS compatibility of Product. Please use Product in compliance with all applicable laws and regulations that regulate the inclusion or use of controlled substances, including without limitation, the EU RoHS Directive. **TOSHIBA ASSUMES NO LIABILITY FOR DAMAGES OR LOSSES OCCURRING AS A RESULT OF NONCOMPLIANCE WITH APPLICABLE LAWS AND REGULATIONS.**