

Toshiba BiCD process integrated circuit silicon monolithic

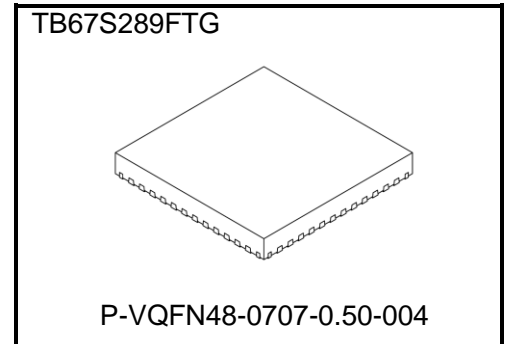
TB67S279FTG

Active Gain Control Clock-in control Bipolar stepping motor driver

1. Description

TB67S279FTG is a clock-in controlled bipolar stepping motor driver with a built-in Active Gain Control architecture. TB67S279FTG also has an internal current feedback control (ACDS) which enables the driver to control the motor current without using a sense resistor.

Using the BiCD process, TB67S279FTG is rated at 50 V, 2.0 A.



Weight 0.14 g (typ.)

2. Features

- Built-in Anti-stall architecture (AGC: Active Gain Control)
- Built-in sense resistor less current control architecture (ACDS: Advanced Current Detection System)
- Low Rds (on) MOSFET (High side+ Low side=0.6 Ω (typ.))
- Built-in micro stepping control. (1/1, 1/2 (a), 1/2 (b), 1/4, 1/8, 1/16, 1/32 step resolution)
- Multi error detect functions (Thermal shutdown (TSD), Over current detection (ISD), Power-on-reset (POR), Motor load open (OPD))
- Error detection status output (Error Output)
- Internal VCC (5 V) regulator enables the driver to operate with a single power supply (VM).
- Adjustable constant current PWM frequency using external components
- Small package with thermal pad on back side (QFN48: 7.0 mm x 7.0 mm)

Note: Please consider the heat condition when using TB67S279FTG.

Start of commercial production
2018-02

3. Pin assignment

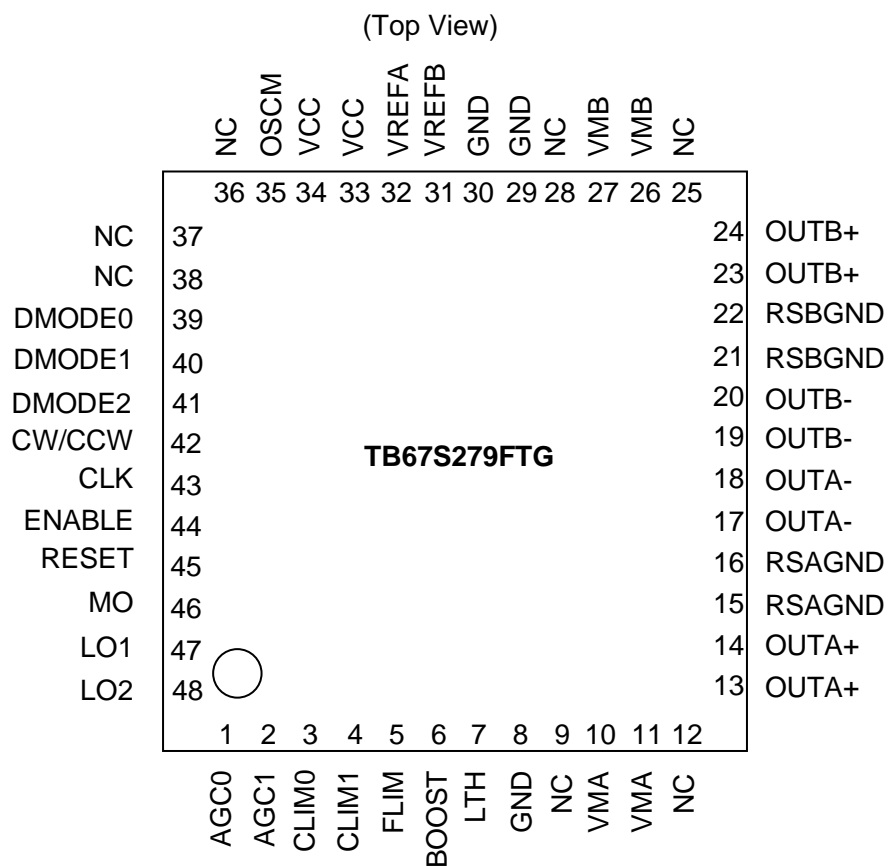


Figure 3.1 Pin Assignments

Note: Please solder the corner pad and the rear thermal pad of the QFN package, to the GND pattern of the PCB.

4. Pin Description

Table 4.1 Pin Function Description

| Pin No | Pin name | Pin function |
|--------|----------|---|
| 1 | AGC0 | Active Gain Control setup pin No.0 |
| 2 | AGC1 | Active Gain Control setup pin No.1 |
| 3 | CLIM0 | AGC current limiter setup pin No.0 |
| 4 | CLIM1 | AGC current limiter setup pin No.1 |
| 5 | FLIM | AGC frequency limiter setup pin |
| 6 | BOOST | AGC current boost setup pin |
| 7 | LTH | AGC threshold setup pin |
| 8 | GND | Ground pin |
| 9 | NC | Non connection |
| 10 | VMA | Motor power supply input pin |
| 11 | VMA | Motor power supply input pin |
| 12 | NC | Non connection |
| 13 | OUTA+ | Ach motor output (+) pin |
| 14 | OUTA+ | Ach motor output (+) pin |
| 15 | RSAGND | Ach motor power ground pin |
| 16 | RSAGND | Ach motor power ground pin |
| 17 | OUTA- | Ach motor output (-) pin |
| 18 | OUTA- | Ach motor output (-) pin |
| 19 | OUTB- | Bch motor output (-) pin |
| 20 | OUTB- | Bch motor output (-) pin |
| 21 | RSBGND | Bch motor power ground pin |
| 22 | RSBGND | Bch motor power ground pin |
| 23 | OUTB+ | Bch motor output (+) pin |
| 24 | OUTB+ | Bch motor output (+) pin |
| 25 | NC | Non connection |
| 26 | VMB | Motor power supply input pin |
| 27 | VMB | Motor power supply input pin |
| 28 | NC | Non connection |
| 29 | GND | Ground pin |
| 30 | GND | Ground pin |
| 31 | VREFB | Bch current threshold reference pin |
| 32 | VREFA | Ach current threshold reference pin |
| 33 | VCC | Internal regulator voltage monitor pin |
| 34 | VCC | Internal regulator voltage monitor pin |
| 35 | OSCM | Internal oscillator frequency monitor and setting pin |
| 36 | NC | Non connection |
| 37 | NC | Non connection |
| 38 | NC | Non connection |
| 39 | DMODE0 | Step resolution setting pin No.0 |
| 40 | DMODE1 | Step resolution setting pin No.1 |
| 41 | DMODE2 | Step resolution setting pin No.2 |

| Pin No | Pin name | Pin function |
|--------|----------|---------------------------------|
| 42 | CW/CCW | Current direction setup pin |
| 43 | CLK | Step clock input pin |
| 44 | ENABLE | Motor output ON/OFF pin |
| 45 | RESET | Electrical angle initialize pin |
| 46 | MO | Electrical angle monitor pin |
| 47 | LO1 | Error flag output pin No.1 |
| 48 | LO2 | Error flag output pin No.2 |

Note: Please leave the NC pins open and do not connect any PCB pattern.

Note: For pins with the same pin name; connect the pins together at the nearest point of the driver.

5. Block Diagram

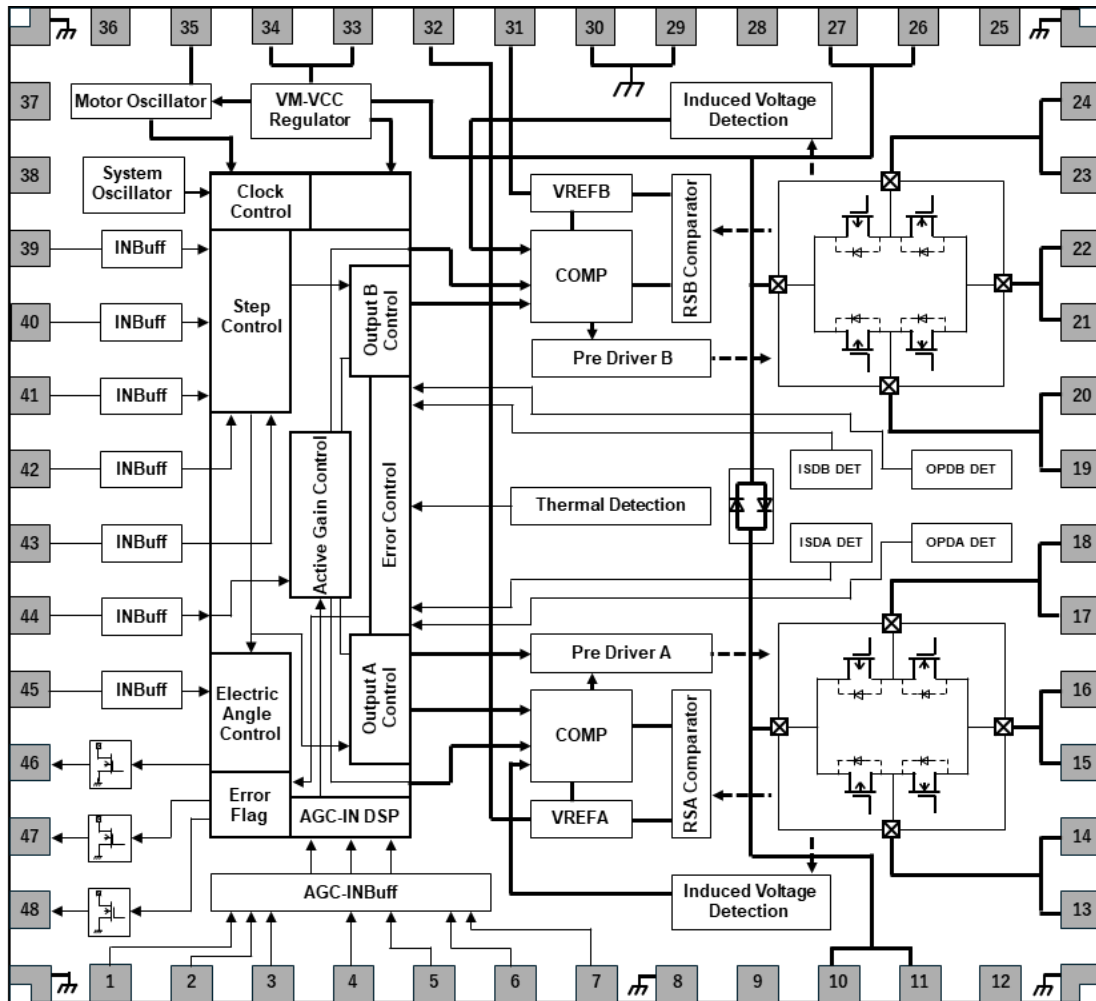


Figure 5.1 Block Diagram

Note: Some of the functional blocks, circuits, or constants in the block diagram may be omitted or simplified for explanatory purpose.

Note: All the grounding wires of TB67S279FTG should run on the solder mask on the PCB and be externally terminated at only one point. Also, a grounding method should be considered for efficient heat dissipation.

Careful attention should be paid to the layout of the output, VM and GND traces, to avoid short circuits across output pins or to the power supply or ground. If such a short circuit occurs, the device may be permanently damaged.

Also, the utmost care should be taken for pattern designing and implementation of the device since it has power supply pins (VM, RS line, OUT line, and GND) through which a particularly large current may run. If these pins are wired incorrectly, an operation error may occur or the device may be destroyed.

The logic input pins must also be wired correctly. Otherwise, the device may be damaged owing to a current running through the IC that is larger than the specified current. Careful attention should be paid to design patterns and mountings.

6. Input-Output Equivalent Circuit

Table 6.1 Input and Output Equivalent Circuit 1

| Pin name | Input-Output signal | Input-Output equivalent circuit |
|---|--|---------------------------------|
| DMODE0 DMODE1 DMODE2 CLK ENABLE RESET CW/CCW AGC0 AGC1 CLIM0 | Logic input pin voltage $GND \leq VIN1 (L) \leq 0.8 V$ $2.0 V \leq VIN1 (H) \leq 5.5 V$ | |
| CLIM1 FLIM BOOST | Multi state input pin voltage $VCC, GND, VCC-100 k\Omega$ pull-up, or $GND-100 k\Omega$ pull-down (Resistance accuracy should be within $\pm 20\%$.) | |
| LTH | 100 kΩ pull-down (Resistance accuracy should be within $\pm 20\%$.) | |
| LO1 LO2 MO | Logic output pin $0 V \leq VOUT (L) \leq 0.5 V$ $4.75 V \leq VOUT (H) \leq 5.25 V$ | |
| OSCM | OSCM frequency range $0.64 MHz \leq f_{OSCM} \leq 2.4 MHz$ | |

Table 6.2 Input and Output Equivalent Circuit 2

| Pin name | Input-Output signal | Input-Output equivalent circuit |
|----------|--|---------------------------------|
| VCC | VCC voltage range $4.75\text{ V} \leq VCC \leq 5.25\text{ V}$ | |
| VREFA | VREF input voltage range $GND \leq VREF \leq 3.6\text{ V}$ | |
| VREFB | | |
| VMA | VM operation voltage range $10\text{ V} \leq VM \leq 47\text{ V}$ Output pin voltage range $10\text{ V} \leq VM \leq 47\text{ V}$ | |
| VMB | | |
| OUT A+ | | |
| OUT A- | | |
| OUT B+ | | |
| OUT B- | | |
| RSAGND | | |
| RSBGND | | |

Note: The equivalent circuit diagrams may be simplified or omitted for explanatory purposes.

7. Basic function of stepping motor control

7.1. CLK function

Each up-edge of the CLK signal shifts the current step and electrical angle of the motor.

Note: Analog filter of 200 ns ($\pm 20\%$) is adopted to CLK pin in the IC

Table 7.1 CLK function

| CLK | Function |
|-----|--|
| ↑ | Shifts the electrical angle and current step per each up-edge. |
| ↓ | — (no change, maintain former state) |

7.2. ENABLE function

The ENABLE pin controls the ON and OFF of the stepping motor outputs. Motor operation is started by switching ON and stopped by switching OFF. (In the state of OFF, all of the output MOSFET are turned off and become high impedance state (Hi-Z).) It is recommended to set the ENABLE pin to Low during VM power-on and power-off sequence to avoid any motor operation when VM voltage is below the operation range. And so, switching the ENABLE pin to High after VM voltage is stabilized as the actually used voltage is recommended.

Table 7.2 ENABLE function

| ENABLE | Function |
|--------|--------------------------------------|
| High | Motor outputs: ON (Normal operation) |
| Low | Motor outputs: OFF (Hi-Z) |

7.3. CW/CCW function / Output pin function (output logic at charge starting)

The CW/CCW pin controls the rotation direction of the stepping motor. When CW/CCW is set to High, OUT (+) outputs high and OUT (-) outputs low in Charge starting. When CW/CCW is set to Low, OUT (+) outputs Low and OUT (-) outputs High in Charge starting.

Table 7.3 CW/CCW function

| CW/CCW | Function |
|-----------|--|
| High (CW) | Clock-wise: The current of Ach leads the current of Bch by 90-degree phase difference. |
| Low (CCW) | Counter clock-wise: The current of Bch leads the current of Ach by 90-degree phase difference. |

7.4. DMODE (step resolution setting) function

The DMODE pins are used to set the step resolution for stepping motor operation. If all 3 pins (DMODE0, 1, and 2) are set to Low, the device goes into 'standby mode'. During 'standby mode', few internal circuits are fully shutdown to reduce power dissipation. If any of the 3 pins (DMODE0, 1, or 2) is set to High, TB67S279FTG will reboot from standby mode. However, it will take 7.5 μ s (typ.) to stabilize the internal circuit. Therefore, please wait for this warm-up period and input signals to boot up.

Note: Built-in digital filter of 1.25 μ s (\pm 20 %) is adopted to DMODE pins.

Note: Built-in digital filter of 0.94 μ s (\pm 20 %) is adopted to DMODE pins for standby mode.

Table 7.4 DMODE0, DMODE1, and DMODE2 functions

| DMODE0 | DMODE1 | DMODE2 | Function |
|--------|--------|--------|--|
| High | High | High | 1/32 step resolution |
| High | High | Low | 1/16 step resolution |
| High | Low | High | 1/8 step resolution |
| High | Low | Low | 1/2 (b) step resolution |
| Low | High | High | 1/4 step resolution |
| Low | High | Low | 1/2 (a) step resolution |
| Low | Low | High | 1/1 step resolution |
| Low | Low | Low | Standby mode (Internal oscillator circuit (OSCM) and output MOSFETs are set to 'OFF') |

DMODE0, 1, and 2 pins can be switched during operation. For the following step, the current of the nearest electric angle before or after switching will flow. Please refer to the application note for detailed functions.

7.5. RESET function

The RESET pin initializes the internal electrical angle.

Note: Built-in digital filter of 0.625 μ s (\pm 20 %) is adopted to RESET pin.

Table 7.5 RESET function

| RESET | Function |
|-------|---|
| High | Initializes the internal electrical angle |
| Low | Normal operation |

When the RESET pin is set to High, the current setting for each H-bridge (Ach and Bch) will be set to the value below. Also, the MO pin outputs Low level when the electrical angle corresponds to the initial value.

Table 7.6 Phase current at RESET

| Step resolution | Ach current | Bch current | Electrical angle |
|----------------------|-------------|-------------|------------------|
| 1/32 step setting | 71 % | 71 % | 45° |
| 1/16 step setting | 71 % | 71 % | 45° |
| 1/8 step setting | 71 % | 71 % | 45° |
| 1/2 (b) step setting | 71 % | 71 % | 45° |
| 1/4 step setting | 71 % | 71 % | 45° |
| 1/2 (a) step setting | 100 % | 100 % | 45° |
| 1/1 step setting | 100 % | 100 % | 45° |

7.6. MO (Monitor output: electrical angle monitor) function

MO pin outputs an internal initial electrical angle as a signal. The MO is an open drain type pin; therefore, to use the function properly, please pull up the MO output to VCC. (The pull-up resistor value should be set between 10 kΩ and 100 kΩ.) The pin level is high impedance (Hi-Z) during the normal operation (internal MOSFET is turned off and pin voltage is VCC). And when the internal electrical angle is equal to the initial angle, the pin level will be Low (internal MOSFET is turned ON) as shown below.

Table 7.7 MO function

| MO | Function |
|------------|---|
| VCC (Hi-Z) | Electrical angle is not at the initial position |
| Low | Electrical angle is at the initial position |

Note: Hi-Z: High impedance state

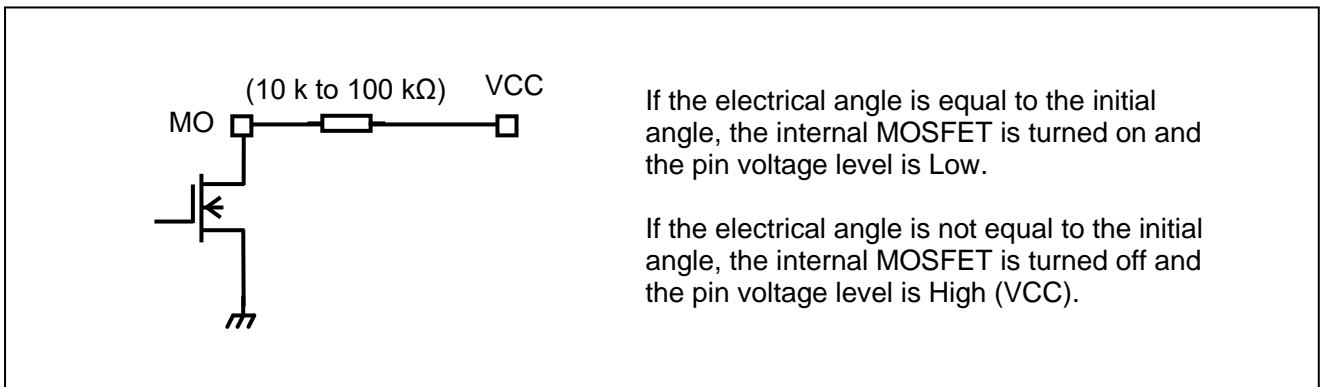


Figure 7.1 MO function Equivalent Circuit

Note: The equivalent circuit diagrams may be simplified or some parts of them may be omitted for explanatory purposes.

7.7. Step resolution and set current (Electric angle: 0 to 180°)

Table 7.8 step current of each resolution

| Electrical angle | STEP | IOUTA(%) | IOUTB(%) | 1/32 step | 1/16 step | 1/8 step | 1/4 step | 1/2(b) step | 1/2(a) step | 1/1 step |
|------------------|------|----------|----------|-----------|-----------|----------|----------|-------------|-------------|----------|
| 0° | 1 | +100 | 0 | ✓ | ✓ | ✓ | ✓ | ✓ | ✓ | |
| | 2 | +100 | +5 | ✓ | | | | | | |
| | 3 | +100 | +10 | ✓ | ✓ | | | | | |
| | 4 | +99 | +15 | ✓ | | | | | | |
| | 5 | +98 | +20 | ✓ | ✓ | ✓ | | | | |
| | 6 | +97 | +25 | ✓ | | | | | | |
| | 7 | +96 | +29 | ✓ | ✓ | | | | | |
| | 8 | +94 | +34 | ✓ | | | | | | |
| | 9 | +92 | +38 | ✓ | ✓ | ✓ | (Note2) | | | |
| | 10 | +90 | +43 | ✓ | | | | | | |
| | 11 | +88 | +47 | ✓ | ✓ | | | | | |
| | 12 | +86 | +52 | ✓ | | | | | | |
| | 13 | +83 | +56 | ✓ | ✓ | ✓ | | | | |
| | 14 | +80 | +60 | ✓ | | | | | | |
| | 15 | +77 | +63 | ✓ | ✓ | | | | | |
| | 16 | +74 | +67 | ✓ | | | | | | |
| 45° | 17 | +71 | +71 | ✓ | ✓ | ✓ | ✓ | ✓ | (Note1) | (Note1) |
| | 18 | +67 | +74 | ✓ | | | | | | |
| | 19 | +63 | +77 | ✓ | ✓ | | | | | |
| | 20 | +60 | +80 | ✓ | | | | | | |
| | 21 | +56 | +83 | ✓ | ✓ | ✓ | | | | |
| | 22 | +52 | +86 | ✓ | | | | | | |
| | 23 | +47 | +88 | ✓ | ✓ | | | | | |
| | 24 | +43 | +90 | ✓ | | | | | | |
| | 25 | +38 | +92 | ✓ | ✓ | ✓ | (Note2) | | | |
| | 26 | +34 | +94 | ✓ | | | | | | |
| | 27 | +29 | +96 | ✓ | ✓ | | | | | |
| | 28 | +25 | +97 | ✓ | | | | | | |
| | 29 | +20 | +98 | ✓ | ✓ | ✓ | | | | |
| | 30 | +15 | +99 | ✓ | | | | | | |
| | 31 | +10 | +100 | ✓ | ✓ | | | | | |
| | 32 | +5 | +100 | ✓ | | | | | | |
| 90° | 33 | 0 | +100 | ✓ | ✓ | ✓ | ✓ | ✓ | ✓ | |
| | 34 | -5 | +100 | ✓ | | | | | | |
| | 35 | -10 | +100 | ✓ | ✓ | | | | | |
| | 36 | -15 | +99 | ✓ | | | | | | |
| | 37 | -20 | +98 | ✓ | ✓ | ✓ | | | | |
| | 38 | -25 | +97 | ✓ | | | | | | |
| | 39 | -29 | +96 | ✓ | ✓ | | | | | |
| | 40 | -34 | +94 | ✓ | | | | | | |
| | 41 | -38 | +92 | ✓ | ✓ | ✓ | (Note2) | | | |
| | 42 | -43 | +90 | ✓ | | | | | | |
| | 43 | -47 | +88 | ✓ | ✓ | | | | | |
| | 44 | -52 | +86 | ✓ | | | | | | |
| | 45 | -56 | +83 | ✓ | ✓ | ✓ | | | | |
| | 46 | -60 | +80 | ✓ | | | | | | |
| | 47 | -63 | +77 | ✓ | ✓ | | | | | |
| | 48 | -67 | +74 | ✓ | | | | | | |
| 135° | 49 | -71 | +71 | ✓ | ✓ | ✓ | ✓ | ✓ | (Note1) | (Note1) |
| | 50 | -74 | +67 | ✓ | | | | | | |
| | 51 | -77 | +63 | ✓ | ✓ | | | | | |
| | 52 | -80 | +60 | ✓ | | | | | | |
| | 53 | -83 | +56 | ✓ | ✓ | ✓ | | | | |
| | 54 | -86 | +52 | ✓ | | | | | | |
| | 55 | -88 | +47 | ✓ | ✓ | | | | | |
| | 56 | -90 | +43 | ✓ | | | | | | |
| | 57 | -92 | +38 | ✓ | ✓ | ✓ | (Note2) | | | |
| | 58 | -94 | +34 | ✓ | | | | | | |
| | 59 | -96 | +29 | ✓ | ✓ | | | | | |
| | 60 | -97 | +25 | ✓ | | | | | | |
| | 61 | -98 | +20 | ✓ | ✓ | ✓ | | | | |
| | 62 | -99 | +15 | ✓ | | | | | | |
| | 63 | -100 | +10 | ✓ | ✓ | | | | | |
| | 64 | -100 | +5 | ✓ | | | | | | |
| 180° | 65 | -100 | 0 | ✓ | ✓ | ✓ | ✓ | ✓ | ✓ | |

Note1: 1/1 step and 1/2 (a) step: Set current of 71 % corresponds to 100 %.

Note2: 1/4 step: Set current of 92 % corresponds to 100 %.

7.8. Step resolution and set current (Electric angle: 180 to 360°)

Table 7.9 step current of each resolution

| Electrical angle | STEP | IOUTA(%) | IOUTB(%) | 1/32 step | 1/16 step | 1/8 step | 1/4 step | 1/2(b) step | 1/2(a) step | 1/1 step |
|------------------|-------|----------|----------|-----------|-----------|----------|----------|-------------|-------------|----------|
| 180° | 65 | -100 | 0 | ✓ | ✓ | ✓ | ✓ | ✓ | ✓ | |
| | 66 | -100 | -5 | ✓ | | | | | | |
| | 67 | -100 | -10 | ✓ | ✓ | | | | | |
| | 68 | -99 | -15 | ✓ | | | | | | |
| | 69 | -98 | -20 | ✓ | ✓ | ✓ | | | | |
| | 70 | -97 | -25 | ✓ | | | | | | |
| | 71 | -96 | -29 | ✓ | ✓ | | | | | |
| | 72 | -94 | -34 | ✓ | | | | | | |
| | 73 | -92 | -38 | ✓ | ✓ | ✓ | (Note2) | | | |
| | 74 | -90 | -43 | ✓ | | | | | | |
| | 75 | -88 | -47 | ✓ | ✓ | | | | | |
| | 76 | -86 | -52 | ✓ | | | | | | |
| | 77 | -83 | -56 | ✓ | ✓ | ✓ | | | | |
| 78 | -80 | -60 | ✓ | | | | | | | |
| 79 | -77 | -63 | ✓ | ✓ | | | | | | |
| 80 | -74 | -67 | ✓ | | | | | | | |
| 225° | 81 | -71 | -71 | ✓ | ✓ | ✓ | ✓ | ✓ | (Note1) | (Note1) |
| | 82 | -67 | -74 | ✓ | | | | | | |
| | 83 | -63 | -77 | ✓ | ✓ | | | | | |
| | 84 | -60 | -80 | ✓ | | | | | | |
| | 85 | -56 | -83 | ✓ | ✓ | ✓ | | | | |
| | 86 | -52 | -86 | ✓ | | | | | | |
| | 87 | -47 | -88 | ✓ | ✓ | | | | | |
| | 88 | -43 | -90 | ✓ | | | | | | |
| | 89 | -38 | -92 | ✓ | ✓ | ✓ | (Note2) | | | |
| | 90 | -34 | -94 | ✓ | | | | | | |
| | 91 | -29 | -96 | ✓ | ✓ | | | | | |
| | 92 | -25 | -97 | ✓ | | | | | | |
| | 93 | -20 | -98 | ✓ | ✓ | ✓ | | | | |
| 94 | -15 | -99 | ✓ | | | | | | | |
| 95 | -10 | -100 | ✓ | ✓ | | | | | | |
| 96 | -5 | -100 | ✓ | | | | | | | |
| 270° | 97 | 0 | -100 | ✓ | ✓ | ✓ | ✓ | ✓ | ✓ | |
| | 98 | +5 | -100 | ✓ | | | | | | |
| | 99 | +10 | -100 | ✓ | ✓ | | | | | |
| | 100 | +15 | -99 | ✓ | | | | | | |
| | 101 | +20 | -98 | ✓ | ✓ | ✓ | | | | |
| | 102 | +25 | -97 | ✓ | | | | | | |
| | 103 | +29 | -96 | ✓ | ✓ | | | | | |
| | 104 | +34 | -94 | ✓ | | | | | | |
| | 105 | +38 | -92 | ✓ | ✓ | ✓ | (Note2) | | | |
| | 106 | +43 | -90 | ✓ | | | | | | |
| | 107 | +47 | -88 | ✓ | ✓ | | | | | |
| | 108 | +52 | -86 | ✓ | | | | | | |
| | 109 | +56 | -83 | ✓ | ✓ | ✓ | | | | |
| 110 | +60 | -80 | ✓ | | | | | | | |
| 111 | +63 | -77 | ✓ | ✓ | | | | | | |
| 112 | +67 | -74 | ✓ | | | | | | | |
| 315° | 113 | +71 | -71 | ✓ | ✓ | ✓ | ✓ | ✓ | (Note1) | (Note1) |
| | 114 | +74 | -67 | ✓ | | | | | | |
| | 115 | +77 | -63 | ✓ | ✓ | | | | | |
| | 116 | +80 | -60 | ✓ | | | | | | |
| | 117 | +83 | -56 | ✓ | ✓ | ✓ | | | | |
| | 118 | +86 | -52 | ✓ | | | | | | |
| | 119 | +88 | -47 | ✓ | ✓ | | | | | |
| | 120 | +90 | -43 | ✓ | | | | | | |
| | 121 | +92 | -38 | ✓ | ✓ | ✓ | (Note2) | | | |
| | 122 | +94 | -34 | ✓ | | | | | | |
| | 123 | +96 | -29 | ✓ | ✓ | | | | | |
| | 124 | +97 | -25 | ✓ | | | | | | |
| | 125 | +98 | -20 | ✓ | ✓ | ✓ | | | | |
| 126 | +99 | -15 | ✓ | | | | | | | |
| 127 | +100 | -10 | ✓ | ✓ | | | | | | |
| 128 | +100 | -5 | ✓ | | | | | | | |
| 360° | (129) | +100 | 0 | ✓ | ✓ | ✓ | ✓ | ✓ | ✓ | |

Note1: 1/1 step and 1/2 (a) step: Set current of 71 % corresponds to 100 %.

Note2 1/4 step: Set current of 92 % corresponds to 100 %.

7.9. LO1, LO2 (Error Output: error detect flag output) function

The LO1 and LO2 are signals that are flagged when the error state is detected. Both pins are open drain type, therefore to use the function properly; the LO1 and LO2 pins should be pulled up to the VCC. (Set the pull-up resistor in the range of 10k to 100kΩ.) During normal operation, the pin is high impedance (internal MOSFET is turned off and the pin voltage is VCC). Once the error detect function (thermal shutdown (TSD), over current detection (ISD), or motor load open (OPD)) operates, the pins will output Low level (internal MOSFET is turned ON) as follows.

Reasserting the VM power or using the standby mode to release the error detection status, the LO1 and LO2 pins will show “normal operation” status again. If function of LO1 or LO2 is not used, leave the pins open.

Table 7.10 LO function

| LO1 | LO2 | Function |
|------------|------------|----------------------------------|
| VCC (Hi-Z) | VCC (Hi-Z) | Normal status (Normal operation) |
| VCC (Hi-Z) | Low | Detected motor load open (OPD) |
| Low | VCC (Hi-Z) | Detected over current (ISD) |
| Low | Low | Detected over thermal (TSD) |

Note: Hi-Z: High impedance state

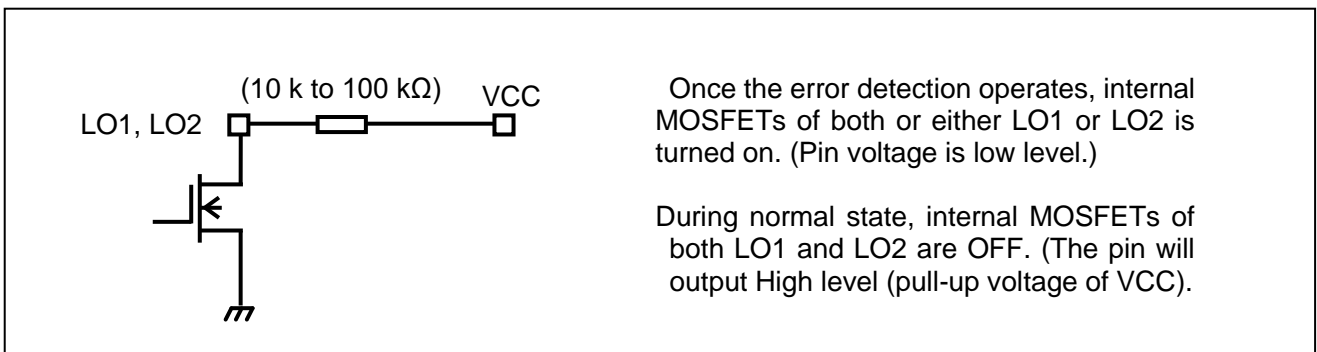


Figure 7.2 LO function Equivalent Circuit

Note: The equivalent circuit diagrams may be simplified or omitted for explanatory purposes.

7.10. OSCM (internal oscillator) function

OSCM is used to set the internal oscillator frequency for constant current PWM control. The values of the resistor and the capacitor connected to this pin will set the OSCM frequency. Please connect the pull-up resistor to the VCC when PWM frequency is set by the external components. Also, to use an internal 'fixed value OSCM frequency' (not using any external components), disconnect the ROSC resistor and short the OSCM pin to the GND. Note that when using the internal 'fixed value OSCM frequency', do not input any control signal for 20 μ s (typ.) after power on or standby release. (It takes 20 μ s to judge the existence of the external components and switch to the 'fixed value OSCM frequency' mode.) The 'fixed value OSCM frequency' will be around 0.92 MHz, so the fchop will be around 57 kHz.

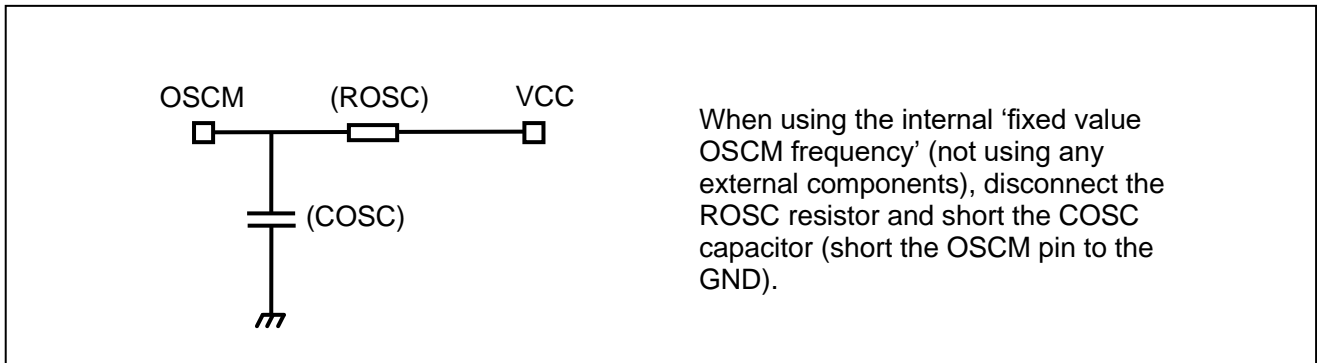


Figure 7.3 OSCM pin Equivalent Circuit

Note: The equivalent circuit diagrams may be simplified or omitted for explanatory purposes.

Note: The oscillator frequency can be adjusted by controlling the values of resistor (ROSC) and capacitor (COSC). When tuning the frequency, it is recommended to fix the capacitor to 270 pF and change the ROSC value. For details, please refer to the following descriptions.

7.11. OSCM oscillator frequency (chopping frequency) calculation

OSCM oscillator frequency can be calculated by using the external component values (ROSC and COSC), and the formula is shown below. (COSC is fixed to 270 pF.)

$$f_{OSCM} = 4.0 \times ROSC^{(-0.8)}$$

COSC and ROSC are external components to set the oscillator frequency. When adjusting the oscillator frequency with components, it is recommended to fix COSC to 270 pF and change the constant number of ROSC.

Moreover, the relation between the chopping frequency for constant current PWM (fchop) and the OSCM oscillator frequency (fOSCM) is as follows;

$$f_{chop} = f_{OSCM} / 16$$

For normal operation, setting the frequency in the range of 50 kHz to 70 kHz and adjusting suitably as needed is recommended

When the chopping frequency is set high, the current ripple will be smaller, which will lead to a higher reproducibility of a waveform. However, the chopping frequency per unit time is increased and so the gate loss and the switching loss of the integrated MOSFET will be larger, which will lead to an additional heat generation. On the other hand, when the chopping frequency is set low, the current ripple will be larger but the heat generation is reduced. Please set the frequency according to the usage conditions and environment.

7.12. Stepping motor application features (anti-stall, sense resistor less PWM)

7.12.1. Active Gain Control (Anti-stall) function

AGC0, AGC1 pins control the Active Gain Control to turn on or off. When both pins are set to High, the AGC is turned on. The PWM current threshold will be reduced in a phased manner where the upper limited current is determined by VREF. When both pins are set to Low, the AGC is turned off and the current, which is set by VREF, flows.

Note: Built-in digital filter of 0.625 μ s (\pm 20%) is adopted to AGC0 and AGC1 pins.

Table 7.11 AGC function

| AGC0 | AGC1 | Function |
|------|------|----------|
| High | High | AGC: ON |
| High | Low | (Note1) |
| Low | Low | AGC: OFF |

Normally, set these pins as follows; AGC0, AGC1= (High, High) or (Low, Low). Please do not switch the AGC0 pin level during operation.

Note1: Use this configuration when switching ON or OFF of AGC during operation. As for concrete usage method, refer to the application note.

7.12.2. CLIM (AGC bottom current limit) function

The CLIM0 and CLIM1 pins set the bottom current limit of the AGC. When AGC is active, the PWM current threshold will be reduced in a phased manner. By using the CLIM function, the motor current will not go below the bottom limit. The CLIM0 is a 2 stated logic input, and the CLIM1 is a 4 stated logic input.

Note: Built-in digital filter of 0.625 μ s (\pm 20%) is adopted to CLIM0 and CLIM1 pins.

Table 7.12 CLIM function

| CLIM0 | CLIM1 | Function |
|-------|------------------------------|--------------------------------------|
| High | VCC short | AGC bottom current limit: IOU x 80 % |
| | VCC-100 k Ω pull-up | AGC bottom current limit: IOU x 75 % |
| | GND-100 k Ω pull-down | AGC bottom current limit: IOU x 70 % |
| | GND short | AGC bottom current limit: IOU x 65 % |
| Low | VCC short | AGC bottom current limit: IOU x 60 % |
| | VCC-100 k Ω pull-up | AGC bottom current limit: IOU x 55 % |
| | GND-100 k Ω pull-down | AGC bottom current limit: IOU x 50 % |
| | GND short | AGC bottom current limit: IOU x 45 % |

Note: Resistance accuracy should be within \pm 20 %.

7.12.3. BOOST (current boost) function

The BOOST pin sets the current boost level when the load torque is increased. When AGC is turned on, the PWM current threshold will be reduced in a phased manner. However, once the load torque is increased, the device will then boost the PWM current threshold to prevent the motor from stalling. The BOOST pin is a 4 stated logic input pin.

Note: Built-in digital filter of 0.625 μ s (\pm 20%) is adopted to BOOST pin.

Table 7.13 BOOST function

| BOOST | Function |
|------------------------------|--|
| VCC short | Takes 5 steps maximum to reach 100 % current (design value) |
| VCC-100 k Ω pull-up | Takes 7 steps maximum to reach 100 % current (design value) |
| GND-100 k Ω pull-down | Takes 9 steps maximum to reach 100 % current (design value) |
| GND short | Takes 11 steps maximum to reach 100 % current (design value) |

Note: Resistance accuracy should be within \pm 20 %.

Note: Current boost step is largest when BOOST is shorted to VCC, and smallest when shorted to the GND.

7.12.4. FLIM (AGC Frequency limit) function

The FLIM pin sets the bottom frequency limit for the AGC to be active. It can reduce the resonance frequency of the motor start in using AGC. The FLIM pin is a 4 stated logic input.

Note: Built-in digital filter of 0.625 μ s (\pm 20%) is adopted to FLIM pin.

Table 7.14 FLIM function

| FLIM | Function |
|------------------------------|---|
| VCC short | Frequency limit: ON, AGC is invalid when fCLK is below 675 Hz |
| VCC-100 k Ω pull-up | Frequency limit: ON, AGC is invalid when fCLK is below 450 Hz |
| GND-100 k Ω pull-down | Frequency limit: ON, AGC is invalid when fCLK is below 225 Hz |
| GND short | FLIM: OFF |

Note: Resistance accuracy should be within \pm 20%.

The frequency in the table above is in the case of 1/1 step resolution. Frequency limit threshold depends on the step resolution setting.

Table 7.15 Frequency limit threshold

| FLIM | 1/1 | 1/2 (a) | 1/2 (b) | 1/4 | 1/8 | 1/16 | 1/32 |
|------------------------------|-----------|----------|----------|---------|---------|----------|----------|
| VCC short | 675 Hz | 1.35 kHz | 1.35 kHz | 2.7 kHz | 5.4 kHz | 10.8 kHz | 21.6 kHz |
| VCC-100 k Ω pull-up | 450 Hz | 900 Hz | 900 Hz | 1.8 kHz | 3.6 kHz | 7.2 kHz | 14.4 kHz |
| GND-100 k Ω pull-down | 225 Hz | 450 Hz | 450 Hz | 900 Hz | 1.8 kHz | 3.6 kHz | 7.2 kHz |
| GND short | FLIM: OFF | | | | | | |

Note: Resistance accuracy should be within \pm 20%.

7.12.5. LTH (AGC detection threshold) function

The LTH pin sets the AGC detection threshold. Connect a 100 k Ω pull-down resistor to GND.

Table 7.16 LTH function

| LTH | Function |
|------------------------------|--|
| GND-100 k Ω pull-down | Standard configuration for AGC detection threshold |

Note: Resistance accuracy should be within \pm 20%.

7.13. ADMD + ACDS (sense-resistor less PWM) control

7.13.1. ADMD (Advanced Dynamic Mixed Decay)

TB67S279FTG applied the ADMD architecture which monitors both charge and recirculating current during constant current PWM. The basic sequence of the ADMD is as shown below.

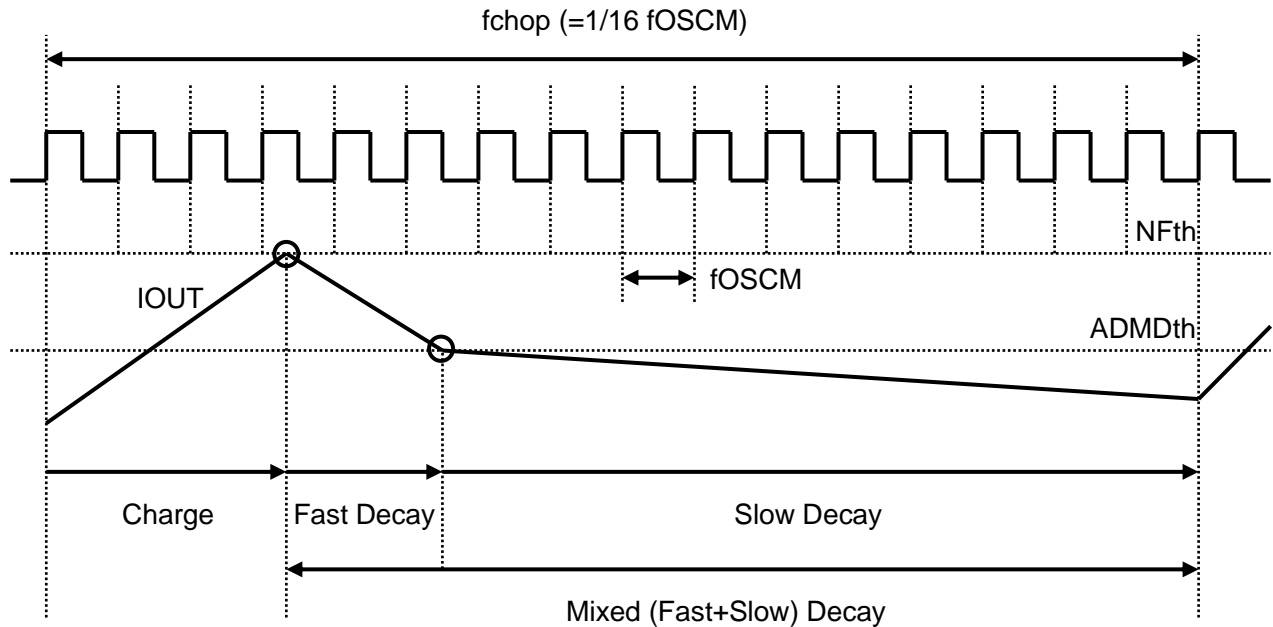


Figure 7.4 ADMD(Advanced Dynamic Mixed Decay) Constant Current Control

Note: Timing charts may be simplified for explanatory purpose.

The basic constant current PWM sequence is a loop of Charge→Fast Decay→Slow Decay→Charge→... to keep the peak current below the threshold. The chopping frequency (f_{chop}) is a period of 16 counts per cycle of OSCM oscillator frequency (f_{OSCM}). The sequence of Charge, Fast Decay, and Slow Decay is switched within this f_{chop} cycle.

First, the motor current is charged (Charge sequence) until it reaches the constant current threshold (NF_{th}), which is set by the V_{REF} reference voltage. Once the motor current reaches the constant current threshold (NF_{th}), a partial motor current recirculates back to the power supply (Fast Decay sequence). When the motor current reaches the fixed value ($ADMD_{th}$) during recirculation; for the rest of the f_{chop} cycle, the motor is controlled to naturally discharge and hold the motor current as much as possible (Slow Decay sequence).

7.13.2. Motor output MOSFET operation mode (Advanced Dynamic Mixed Decay)

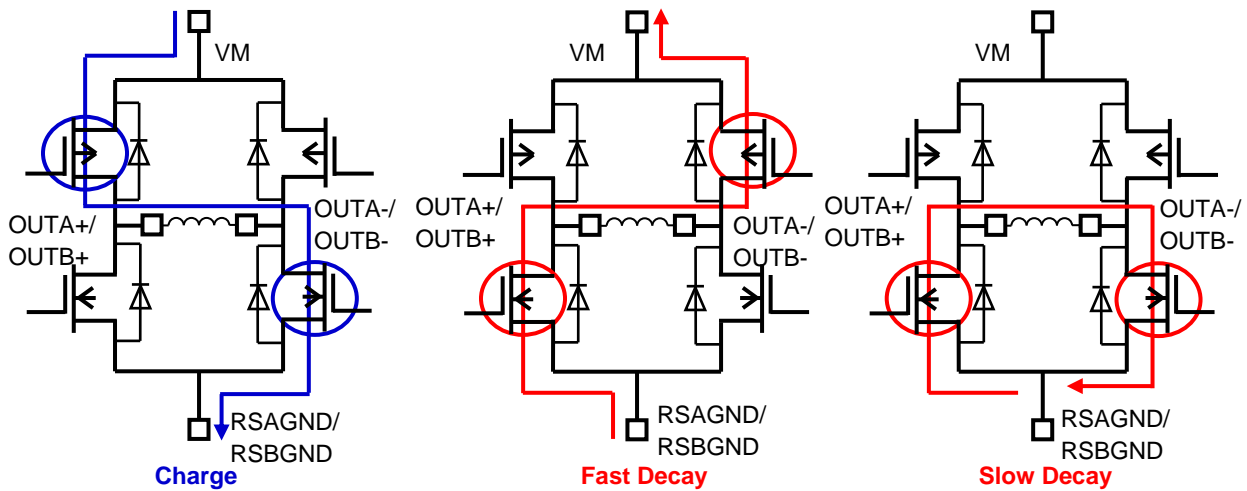


Figure 7.5 Motor output MOSFET operation mode

Note: Fixed value of 400 ns (design value) is prepared at the switching timing of MOSFET output to avoid any flow-through current. The equivalent circuit diagrams may be simplified or omitted for explanatory purposes.

7.14. Constant current threshold calculation

The constant current PWM threshold can be set by applying voltage to the VREF pin.

$$I_{OUT} = V_{REF} \times 0.556$$

Example: When VREF voltage is 2.0 V, the constant current PWM threshold is calculated from following formula.

$$I_{OUT} = 2.0 \times 0.556 = 1.11 \text{ A}$$

7.15. ADMD current waveform

7.15.1. When the next current step/ratio is higher than the previous step

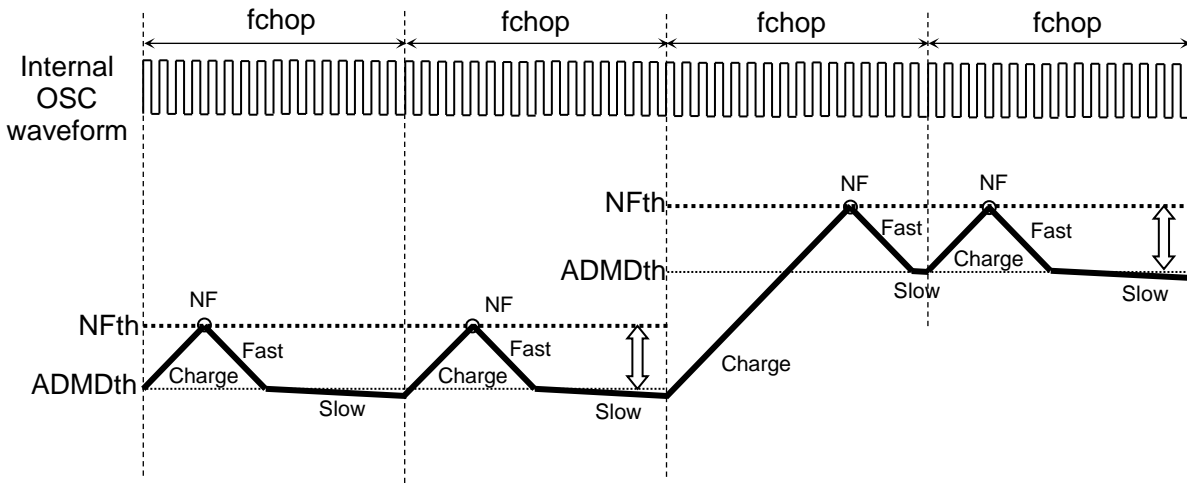


Figure 7.6 When the set current value is increased

Note: Timing charts may be simplified for explanatory purpose.

7.15.2. When the Charge period continues beyond 1 fchop cycle

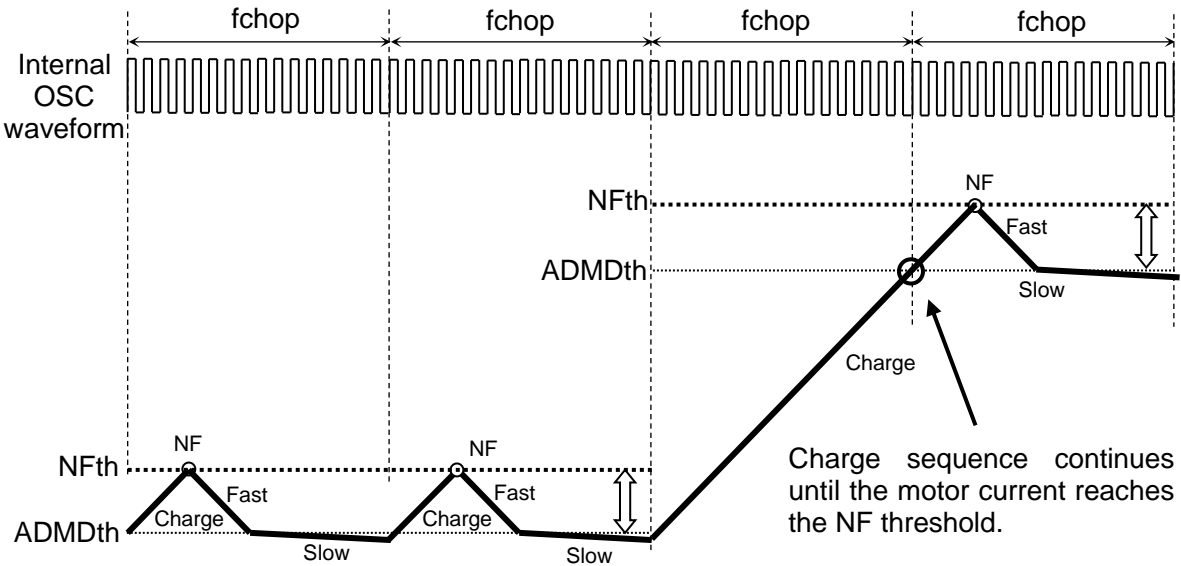


Figure 7.7 When the Charge period is more than 1 fCHOP cycle

Note: Timing charts may be simplified for explanatory purpose.

7.15.3. When the next current step/ratio is lower than the previous step

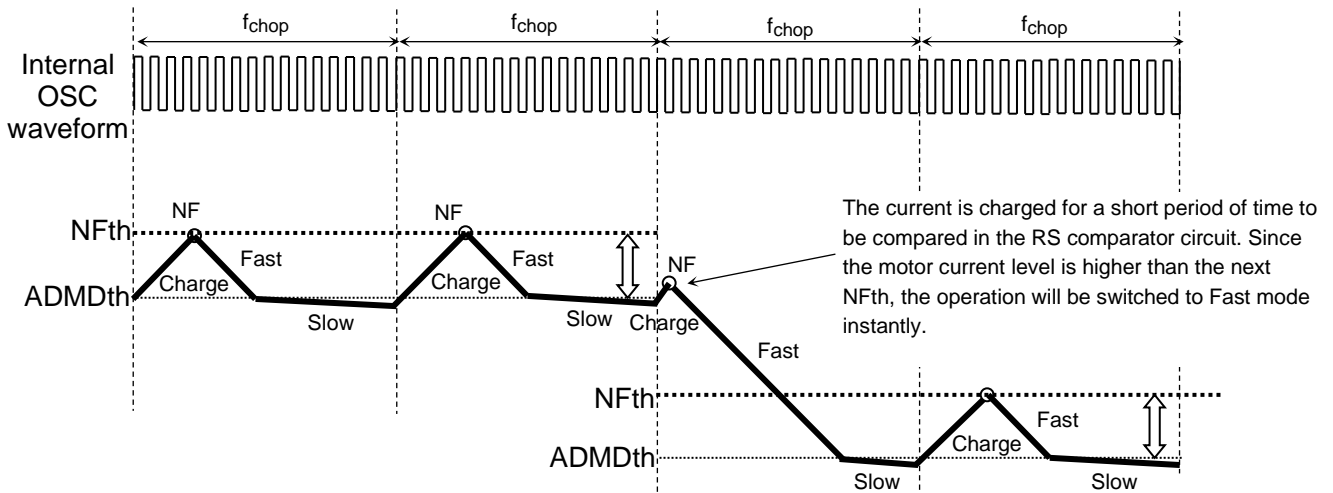


Figure 7.8 When the set current value is decreased

Note: Timing charts may be simplified for explanatory purpose.

7.15.4. When the Fast period continues beyond 1 f_{chop} cycle (Current does not reach $ADMD_{th}$ within 1 f_{chop} cycle.)

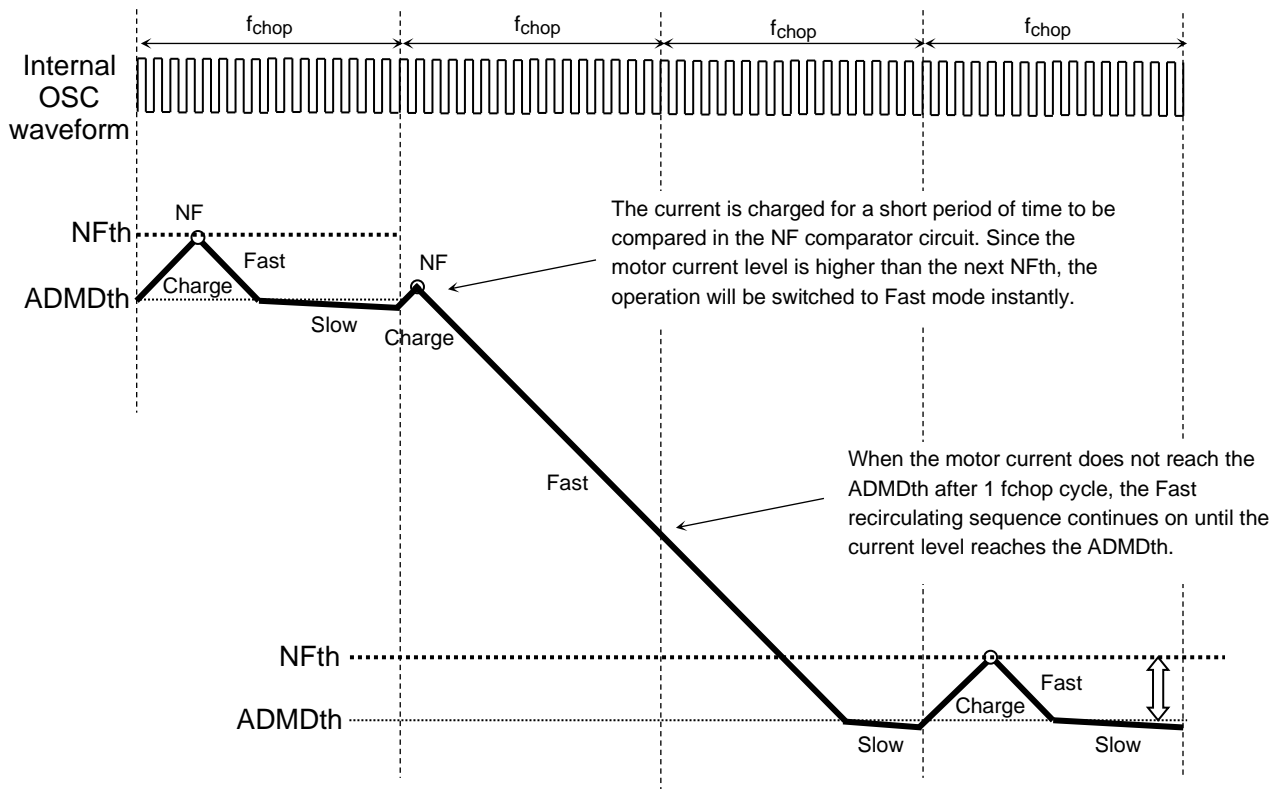


Figure 7.9 When the Fast period is more than 1 f_{CHOP} cycle

Note: Timing charts may be simplified for explanatory purpose.

7.16. Constant current PWM blank/mask time

TB67S279FTG has multi filter time to reject incoming noise or spike (inrush) current, which is generated during motor operation, to avoid miss detection.

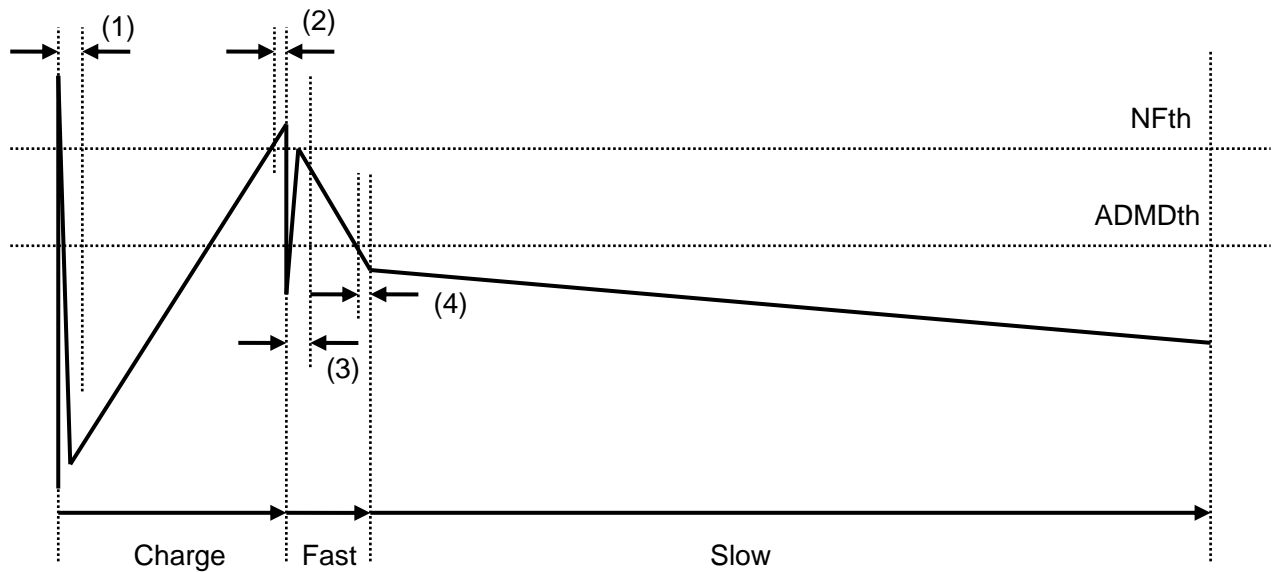


Figure 7.10 Each filter settings

Note: Timing charts may be simplified for explanatory purpose.

- (1) Digital NFblank (Filtering time to avoid spike current, which is generated before Charge): 1.25 μs (typ.)
- (2) Analog NFblank (Filtering time to avoid pulse noise for NFth): 0.35 μs (typ.)
- (3) Digital ADMDblank (Filtering time to avoid spike current, which is generated between Charge and Decay for ADMDth: 2.2 μs (typ.)
- (4) Analog ADMDblank (Filtering time to avoid pulse noise for ADMDth): 0.35 μs (typ.)

Note: Above periods are design values. They are not guaranteed.

8. Absolute Maximum Ratings (Ta = 25°C)

Table 8.1 Absolute Maximum Ratings

| Characteristics | Symbol | Rating | Unit | Remarks |
|-----------------------------|----------|------------|------|---------|
| Motor power supply | VM | 50 | V | — |
| Motor output voltage | VOOUT | 50 | V | — |
| Motor output current | IOOUT | 2.0 | A | (Note1) |
| Internal Logic power supply | VCC | 6.0 | V | — |
| Logic input voltage | VIN (H) | 6.0 | V | — |
| | VIN (L) | -0.4 | V | — |
| MO output voltage | VMO | 6.0 | V | — |
| LO output voltage | VLO | 6.0 | V | — |
| MO Inflow current | IMO | 6.0 | mA | — |
| LO Inflow current | ILO | 6.0 | mA | — |
| Power dissipation | PD | 1.3 | W | (Note2) |
| Operating temperature | Topr | -20 to 85 | °C | — |
| Storage temperature | Tstg | -55 to 150 | °C | — |
| Junction temperature | Tj (max) | 150 | °C | — |

Note1: For normal usage, the maximum current value should be determined by heat calculation.

The maximum output current may be further limited depending on ambient temperature and board conditions (heat conditions).

Note2: Device alone (Ta =25°C)

Ta: Ambient temperature

Topr: Ambient temperature while the IC is active

Tj: Junction temperature while the IC is active. Tj (max) is limited by the thermal shutdown (TSD) threshold. Please set the usage conditions so that the peak Tj is kept under 120°C for indication.

Caution) Absolute maximum ratings

The absolute maximum ratings of a semiconductor device are a set of ratings that must not be exceeded, even for a moment. Do not exceed any of these ratings. Exceeding the rating (s) may cause device breakdown, damage or deterioration, and may result in injury by explosion or combustion. The value of even one parameter of the absolute maximum ratings should not be exceeded under any circumstances. All voltage ratings, including supply voltages, must always be followed. Other notes and considerations described in the datasheet should also be referred to.

9. Operation Ranges (Ta=-20 to 85°C)

Table 9.1 Operating Ranges

| Characteristics | Symbol | Min | Typ. | Max | Unit | Remarks |
|-----------------------|---------------|-----|------|------|------|-----------------|
| Motor power supply | VM | 10 | 24 | 47 | V | — |
| Motor output current | IOUT | — | 1.0 | 2.0 | A | (Note1) |
| MO output pin voltage | VMO | — | 3.3 | VCC | V | Pull-up voltage |
| LO output pin voltage | VLO | — | 3.3 | VCC | V | Pull-up voltage |
| Clock input frequency | fCLK | — | — | 1000 | kHz | (Note2) |
| Chopping frequency | Fchop (range) | 40 | 70 | 150 | kHz | — |
| VREF input voltage | VREF | GND | 2.0 | 3.6 | V | — |

Note1: The actual maximum current may be limited due to operating circumstances (operating conditions of step resolution, continuous operation time, etc. and thermal conditions of ambient temperature, PCB layout, etc.)

Note2: The actual maximum frequency may be limited due to operating circumstances (operating conditions of step resolution, continuous operation time, etc. and thermal conditions of ambient temperature, PCB layout, etc.)

10. Electrical Characteristics

10.1. Electrical Characteristics 1 (Ta = 25°C and VM = 24 V, unless otherwise specified)

Table 10.1 Electrical Characteristics 1

| Characteristics | | Symbol | Test condition | Min | Typ. | Max | Unit |
|--|-----------|-----------|---|------|------|------|------|
| Logic input voltage 1 (Except BOOST, CLIM1, and FLIM) | | VIN1 (H) | High level | 2.0 | — | 5.5 | V |
| | | VIN1 (L) | Low level | 0 | — | 0.8 | V |
| Logic input hysteresis voltage | | VIN (HYS) | Hysteresis voltage | 0.1 | — | 0.3 | V |
| Logic input voltage 2 (BOOST, CLIM1, and FLIM) | | VIN2 (H) | VCC short | 4.2 | — | VCC | V |
| | | VIN2 (PU) | VCC-100 kΩ pull-up | 2.8 | — | 3.55 | V |
| | | VIN2 (PD) | GND-100 kΩ pull-down | 1.45 | — | 2.2 | V |
| | | VIN2 (L) | GND short | 0 | — | 0.8 | V |
| Logic input current 1 (Except BOOST, CLIM1, and FLIM) | | IIN1 (H) | Input voltage=3.3 V | — | 33 | — | μA |
| | | IIN1 (L) | Input voltage=0 V | — | — | 1 | μA |
| MO output pin voltage | | VOL (MO) | IOL=5 mA LO=Low | — | 0.2 | 0.5 | V |
| LO output pin voltage | | VOL (LO) | IOL=5 mA LO=Low | — | 0.2 | 0.5 | V |
| Current consumption | | IM1 | Standby mode | — | 2 | — | mA |
| | | IM2 | OUT: OPEN, ENABLE: Low, Standby mode: Release | 3 | 5 | 7 | mA |
| | | IM3 | OUT: OPEN, ENABLE: High, Standby mode: Release | 4 | 6 | 8 | mA |
| Output leakage current | High-side | IOH | VM=50 V, VOUT=0 V | — | — | 1 | μA |
| | Low-side | IOL | VM=VOUT=50 V | 1 | — | — | μA |
| Motor current channel differential | | ΔIOUT1 | VREF=1.8V, IOUT=1.0A setting (Note1) | 0 | — | 5 | % |
| Motor current setting differential | | ΔIOUT2 | VREF=1.8V, IOUT=1.0A setting | -5 | 0 | 5 | % |
| Motor output ON-resistance (High-side + Low-side) | | Ron (H+L) | Tj=25°C, Forward direction (High + Low side) | — | 0.6 | 0.75 | Ω |

Note: VIN (H) is defined as the VIN voltage that causes the outputs (OUTA+, OUTA-, OUTB+ and OUTB-) to change when a pin under test is gradually raised from 0 V. VIN (L) is defined as the VIN voltage that causes the outputs (OUTA+, OUTA-, OUTB+ and OUTB-) to change when the pin is then gradually lowered. The difference between VIN (H) and VIN (L) is defined as the VIN (HYS).

Note1: Motor current channel differential satisfies the following equation.

The absolute value of the difference in output current settings between any two channels [A] ≤ average of the output setting current values × output current error (Maximum) [A]

10.2. Electrical Characteristics 2 (Ta = 25°C and VM = 24 V, unless otherwise specified)

Table 10.2 Electrical Characteristics 2

| Characteristics | Symbol | Test condition | Min | Typ. | Max | Unit |
|---|-------------|----------------|------|-------|------|------|
| VREF input current | IREF | VREF=2.0 V | — | 0 | 1 | μA |
| VCC voltage | VCC | ICC=5.0 mA | 4.75 | 5.0 | 5.25 | V |
| VCC current | ICC | VCC=5.0 V | — | 2.5 | 5.0 | mA |
| VREF gain | VREF (gain) | VREF=2.0 V | — | 0.556 | — | A/V |
| Thermal shutdown (TSD) threshold (Note1) | TjTSD | — | 145 | 160 | 175 | °C |
| VM power-on-reset threshold | VMPOR (H) | POR release | 6.5 | 7.5 | 8.5 | V |
| | VMPOR (L) | POR detect | 6.0 | 7.0 | 8.0 | V |
| Over current detection (ISD) threshold (Not2) | ISD | — | 2.2 | 3.3 | 4.5 | A |

Note 1: Thermal shutdown (TSD)

When the IC detects an over temperature, the internal circuit turns off the output MOSFETs. It has a dead band time to avoid TSD misdetection, which may be triggered by external noise. Reassert the VM power supply or use the standby mode by DMODE pin to release this function. The TSD is triggered when the device is over heated irregularly. Make sure not to use the TSD function aggressively.

Note 2: Over current detection (ISD)

When the IC detects an over current, the internal circuits turns off the output MOSFETs. It has a dead band time to avoid ISD misdetection, which may be triggered by external noise. Reassert the VM power supply or use the standby mode by DMODE pin to release this function. The ISD is triggered when the motor current is overrated irregularly. Make sure not to use the ISD function aggressively.

10.2.1. Back-EMF

While a motor is rotating, there is a timing at which power is fed back to the power supply. At that timing, the motor current recirculates back to the power supply due to the effect of the motor back-EMF. If the power supply does not have enough sink capability, the power supply and output pins of the device might rise above the rated voltages. The magnitude of the motor back-EMF varies with usage conditions and motor characteristics. It must be fully verified that there is no risk that TB67S279FTG or other components will be damaged or fail due to the motor back-EMF.

10.2.2. Cautions on Overcurrent Shutdown (ISD) and Thermal Shutdown (TSD)

The ISD and TSD circuits are only intended to provide temporary protection against irregular conditions such as an output short-circuit; they do not necessarily guarantee the complete IC safety. If the device is used beyond the specified operating ranges, these circuits may not operate properly: then the device may be damaged due to an output short-circuit. The ISD circuit is only intended to provide a temporary protection against an output short-circuit. If such a condition persists for a long time, the device may be damaged due to overstress. Overcurrent conditions must be removed immediately by external hardware.

10.2.3. IC Mounting

Do not insert devices incorrectly or in the wrong orientation. Otherwise, it may cause breakdown, damage and/or deterioration of the device.

10.3. AC electrical characteristics (Ta = 25°C and VM = 24 V, unless otherwise specified)

Table 10.3 AC Electrical Characteristics

| Characteristics | Symbol | Test condition | Min | Typ. | Max | Unit |
|--|------------|--------------------------------|-----|------|-----|------|
| Minimum CLK 'High' pulse width | tCLK (H) | CLK (H) minimum pulse width | 500 | — | — | ns |
| Minimum CLK 'Low' pulse width | tCLK (L) | CLK (L) minimum pulse width | 500 | — | — | ns |
| Output MOSFET switching specifications | tr | — | 30 | 80 | 130 | ns |
| | tf | — | 40 | 90 | 140 | ns |
| | tpLH (CLK) | CLK to OUT | — | 1000 | — | ns |
| | tpHL (CLK) | CLK to OUT | — | 1500 | — | ns |
| OSCM oscillator accuracy | ΔfOSCM1 | COSC=270 pF, ROSC=5.1 kΩ | -15 | — | +15 | % |
| | ΔfOSCM2 | COSC: GND short, ROSC: Open | -20 | — | +20 | % |
| PWM chopping frequency | fchop1 | COSC=270 pF, ROSC=5.1 kΩ | — | 67 | — | kHz |
| | fchop2 | COSC: GND short, ROSC: Open | — | 57 | — | kHz |

AC characteristics timing chart

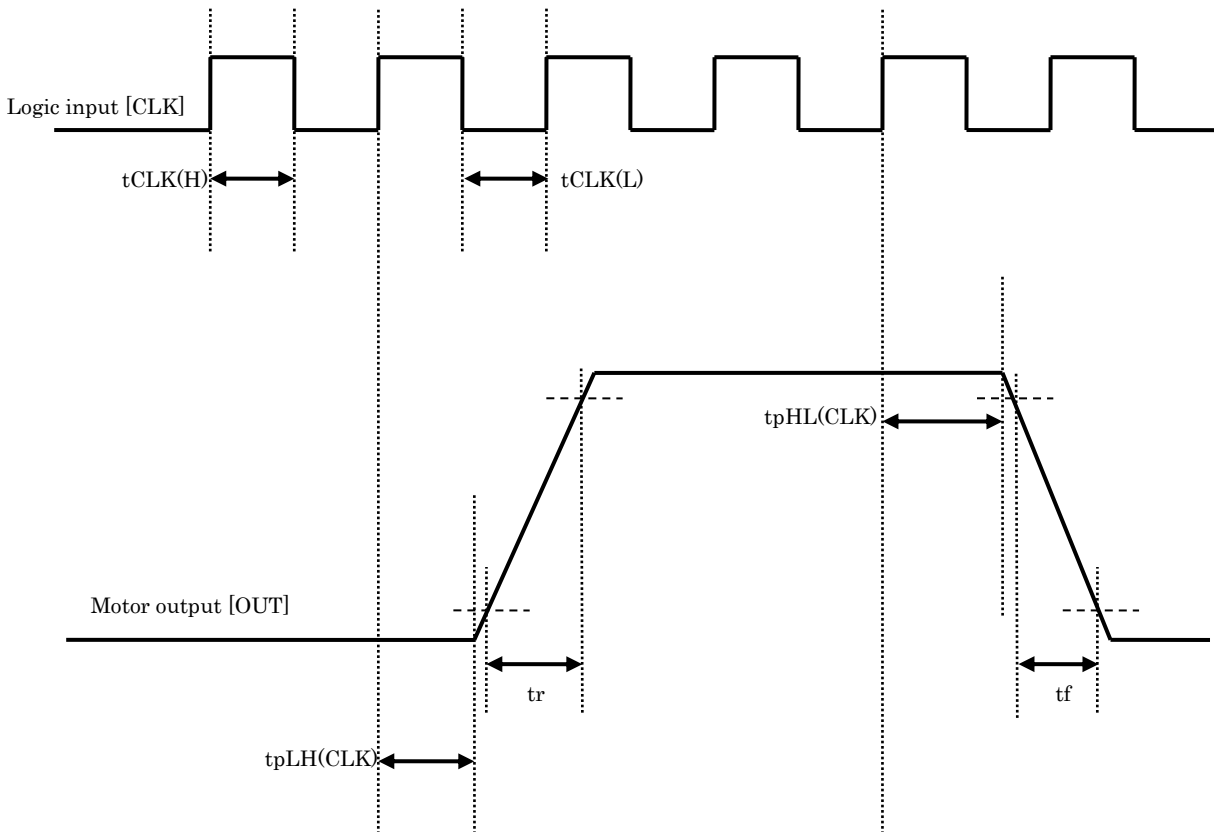


Figure 10.1 TB67S279FTG(Relationship between CLK and output))

Note: The timing chart may be simplified for explanatory purpose.

11. Application circuit example

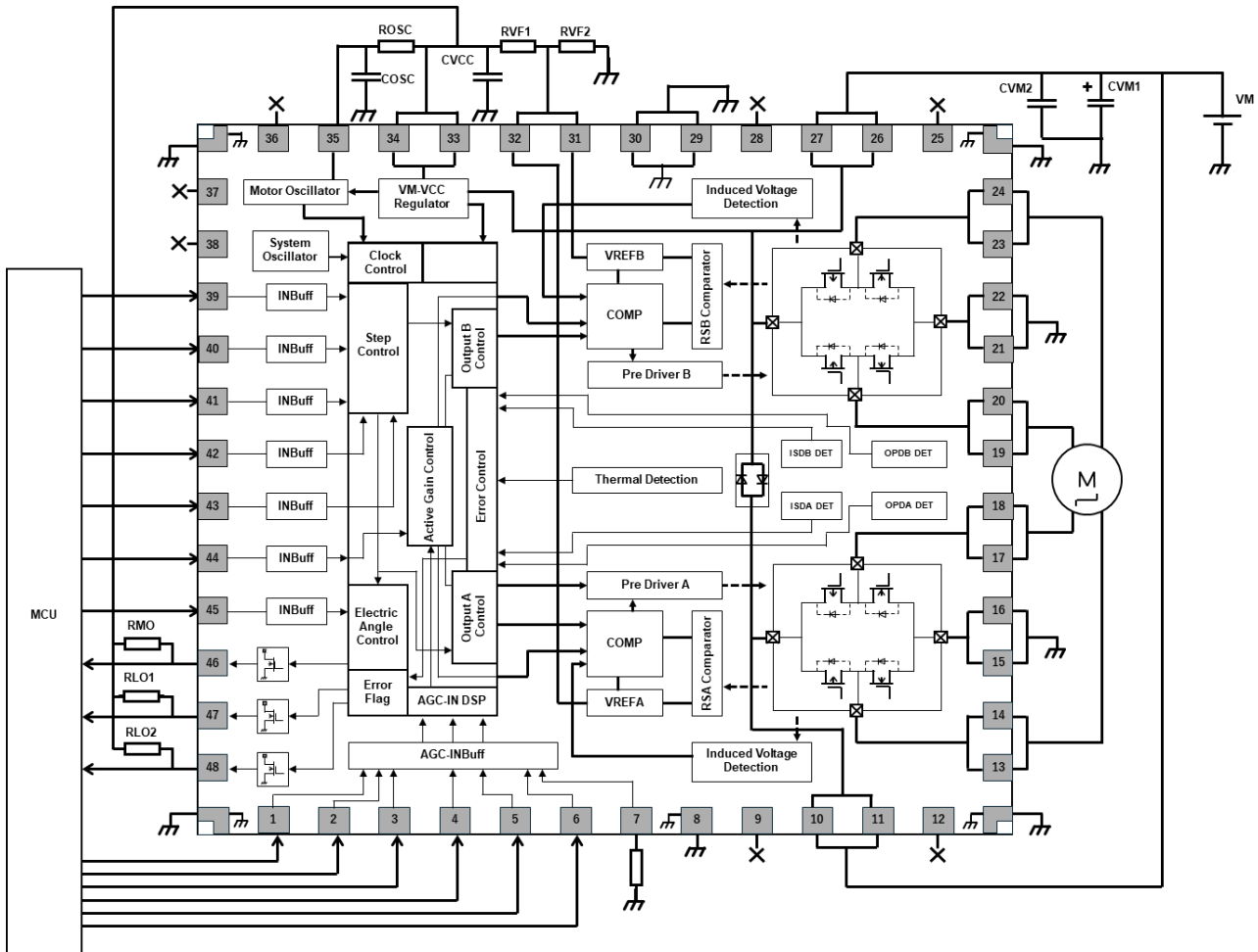


Figure 11.1 Application Circuit Example

Note: The application circuit shown in this document is provided for reference purposes only. The data for mass production is not guaranteed.

Table 11.1 Constant numbers of components (for reference only)

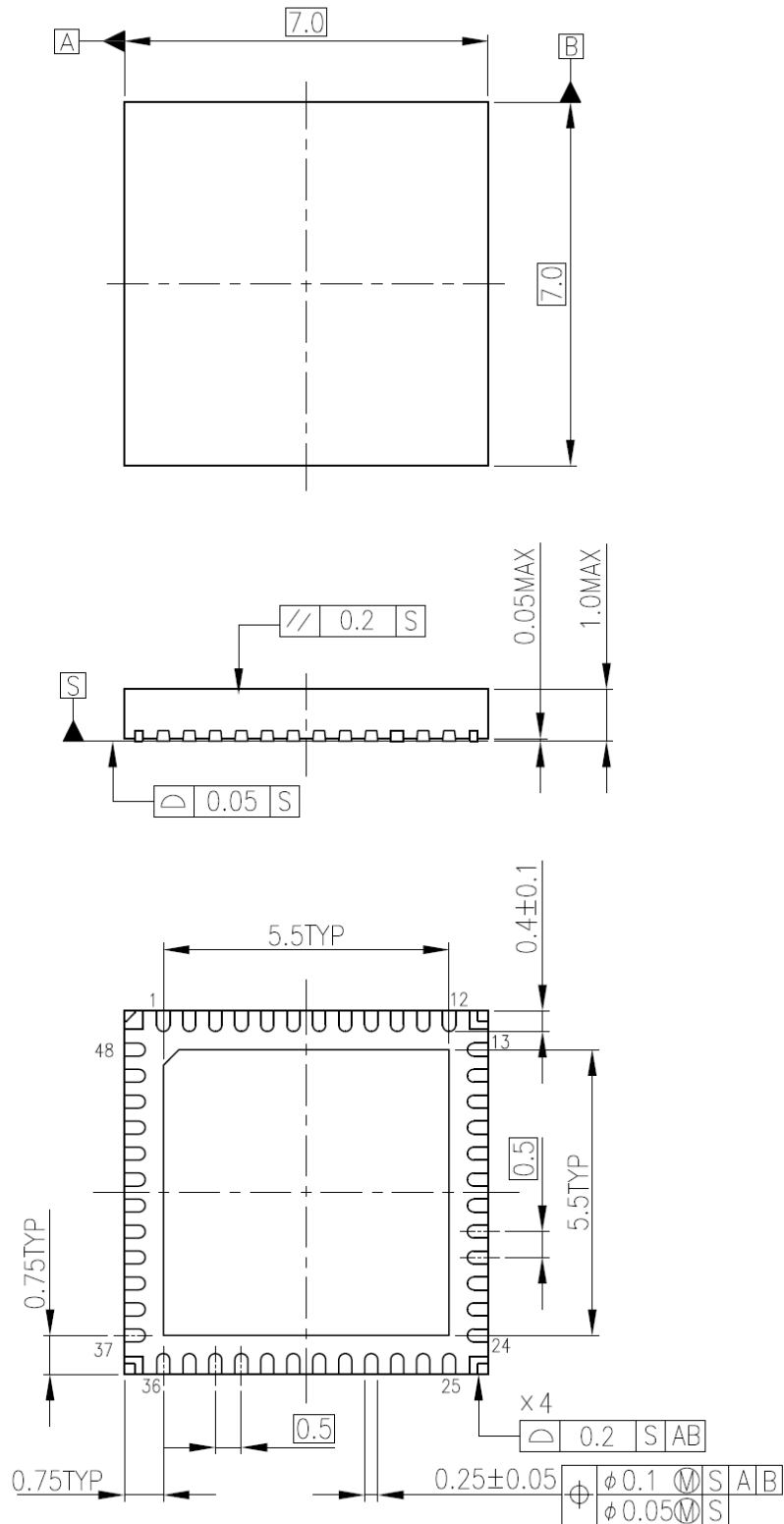
| Symbol | Component | Reference constant number |
|------------|------------------------|--|
| CVM1 | Electrolytic capacitor | 100 μ F (CVM1 \geq 10 μ F) |
| CVM2 | Ceramic capacitor | (0.1 μ F) |
| RVF1,RVF2 | Resistor | Arbitrary (10 k Ω \leq RVF1+RVF2 \leq 50 k Ω) |
| CVCC | Ceramic capacitor | 0.1 μ F |
| ROSC | Resistor | 5.1 k Ω (1.8 k Ω to 8.2 k Ω) |
| COSC | Ceramic capacitor | 270 pF |
| RMO | Resistor | 10 k Ω (10 k Ω to 100 k Ω) |
| RLO1, RLO2 | Resistor | 10 k Ω (10 k Ω to 100 k Ω) |

Note: Constant numbers in above table are for reference only. Some components outside of the recommendation range can be adopted depending on the usage conditions.

12. Package dimensions

P-VQFN48-0707-0.50-004

(Unit: mm)



Weight 0.14 g (typ.)

Notes on Contents

1. Block Diagrams

Some of the functional blocks, circuits, or constants in the block diagram may be omitted or simplified for explanatory purposes.

2. Equivalent Circuits

The equivalent circuit diagrams may be simplified or some parts of them may be omitted for explanatory purposes.

3. Timing Charts

Timing charts may be simplified for explanatory purposes.

4. Application Circuits

The application circuits shown in this document are provided for reference purposes only. Thorough evaluation is required, especially at the mass production design stage.

Any license to any industrial property rights are not granted by providing these examples of application circuits.

IC Usage Considerations

Notes on handling of ICs

- (1) The absolute maximum ratings of a semiconductor device are a set of ratings that must not be exceeded, even for a moment. Do not exceed any of these ratings. Exceeding the rating(s) may cause the device breakdown, damage or deterioration, and may result injury by explosion or combustion.
- (2) Do not insert devices in the wrong orientation or incorrectly. Make sure that the positive and negative terminals of power supplies are connected properly. Otherwise, the current or power consumption may exceed the absolute maximum rating, and exceeding the rating(s) may cause the device breakdown, damage or deterioration, and may result injury by explosion or combustion. In addition, do not use any device that is applied the current with inserting in the wrong orientation or incorrectly even just one time.
- (3) Use an appropriate power supply fuse to ensure that a large current does not continuously flow in case of over current and/or IC failure. The IC will fully break down when used under conditions that exceed its absolute maximum ratings, when the wiring is routed improperly or when an abnormal pulse noise occurs from the wiring or load, causing a large current to continuously flow and the breakdown can lead smoke or ignition. To minimize the effects of the flow of a large current in case of breakdown, appropriate settings, such as fuse capacity, fusing time and insertion circuit location, are required.
- (4) If your design includes an inductive load such as a motor coil, incorporate a protection circuit into the design to prevent device malfunction or breakdown caused by the current resulting from the inrush current at power ON or the negative current resulting from the back electromotive force at power OFF. IC breakdown may cause injury, smoke or ignition. Use a stable power supply with ICs with built-in protection functions. If the power supply is unstable, the protection function may not operate, causing IC breakdown. IC breakdown may cause injury, smoke or ignition.
- (5) Carefully select external components (such as inputs and negative feedback capacitors) and load components (such as speakers), for example, power amp and regulator. If there is a large amount of leakage current such as input or negative feedback condenser, the IC output DC voltage will increase. If this output voltage is connected to a speaker with low input withstand voltage, overcurrent or IC failure can cause smoke or ignition. (The over current can cause smoke or ignition from the IC itself.) In particular, please pay attention when using a Bridge Tied Load (BTL) connection type IC that inputs output DC voltage to a speaker directly.

Points to remember on handling of ICs**(1) Over current Protection Circuit**

Over current protection circuits (referred to as current limiter circuits) do not necessarily protect ICs under all circumstances. If the over current protection circuits operate against the over current, clear the over current status immediately.

Depending on the method of use and usage conditions, such as exceeding absolute maximum ratings can cause the over current protection circuit to not operate properly or IC breakdown before operation. In addition, depending on the method of use and usage conditions, if over current continues to flow for a long time after operation, the IC may generate heat resulting in breakdown.

(2) Thermal Shutdown Circuit

Thermal shutdown circuits do not necessarily protect ICs under all circumstances. If the thermal shutdown circuits operate against the over temperature, clear the heat generation status immediately.

Depending on the method of use and usage conditions, such as exceeding absolute maximum ratings can cause the thermal shutdown circuit to not operate properly or IC breakdown before operation.

(3) Heat Radiation Design

In using an IC with large current flow such as power amp, regulator or driver, please design the device so that heat is appropriately radiated, not to exceed the specified junction temperature (T_j) at any time and condition. These ICs generate heat even during normal use. An inadequate IC heat radiation design can lead to decrease in IC life, deterioration of IC characteristics or IC breakdown. In addition, please design the device taking into consideration the effect of IC heat radiation with peripheral components.

(4) Back-EMF

When a motor reverses the rotation direction, stops or slows down abruptly, a current flow back to the motor's power supply due to the effect of back-EMF. If the current sink capability of the power supply is small, the device's motor power supply and output pins might be exposed to conditions beyond absolute maximum ratings. To avoid this problem, take the effect of back-EMF into consideration in system design.

RESTRICTIONS ON PRODUCT USE

Toshiba Corporation and its subsidiaries and affiliates are collectively referred to as "TOSHIBA". Hardware, software and systems described in this document are collectively referred to as "Product".

- TOSHIBA reserves the right to make changes to the information in this document and related Product without notice.
- This document and any information herein may not be reproduced without prior written permission from TOSHIBA. Even with TOSHIBA's written permission, reproduction is permissible only if reproduction is without alteration/omission.
- Though TOSHIBA works continually to improve Product's quality and reliability, Product can malfunction or fail. Customers are responsible for complying with safety standards and for providing adequate designs and safeguards for their hardware, software and systems which minimize risk and avoid situations in which a malfunction or failure of Product could cause loss of human life, bodily injury or damage to property, including data loss or corruption. Before customers use the Product, create designs including the Product, or incorporate the Product into their own applications, customers must also refer to and comply with (a) the latest versions of all relevant TOSHIBA information, including without limitation, this document, the specifications, the data sheets and application notes for Product and the precautions and conditions set forth in the "TOSHIBA Semiconductor Reliability Handbook" and (b) the instructions for the application with which the Product will be used with or for. Customers are solely responsible for all aspects of their own product design or applications, including but not limited to (a) determining the appropriateness of the use of this Product in such design or applications; (b) evaluating and determining the applicability of any information contained in this document, or in charts, diagrams, programs, algorithms, sample application circuits, or any other referenced documents; and (c) validating all operating parameters for such designs and applications. **TOSHIBA ASSUMES NO LIABILITY FOR CUSTOMERS' PRODUCT DESIGN OR APPLICATIONS.**
- **PRODUCT IS NEITHER INTENDED NOR WARRANTED FOR USE IN EQUIPMENTS OR SYSTEMS THAT REQUIRE EXTRAORDINARILY HIGH LEVELS OF QUALITY AND/OR RELIABILITY, AND/OR A MALFUNCTION OR FAILURE OF WHICH MAY CAUSE LOSS OF HUMAN LIFE, BODILY INJURY, SERIOUS PROPERTY DAMAGE AND/OR SERIOUS PUBLIC IMPACT ("UNINTENDED USE").** Except for specific applications as expressly stated in this document, Unintended Use includes, without limitation, equipment used in nuclear facilities, equipment used in the aerospace industry, Class 3 medical devices, equipment used for automobiles, and military vehicles and munitions. **IF YOU USE PRODUCT FOR UNINTENDED USE, TOSHIBA ASSUMES NO LIABILITY FOR PRODUCT.** For details, please contact your TOSHIBA sales representative or contact us via our website.
- Do not disassemble, analyze, reverse-engineer, alter, modify, translate or copy Product, whether in whole or in part.
- Product shall not be used for or incorporated into any products or systems whose manufacture, use, or sale is prohibited under any applicable laws or regulations.
- The information contained herein is presented only as guidance for Product use. No responsibility is assumed by TOSHIBA for any infringement of patents or any other intellectual property rights of third parties that may result from the use of Product. No license to any intellectual property right is granted by this document, whether express or implied, by estoppel or otherwise.
- **ABSENT A WRITTEN SIGNED AGREEMENT, EXCEPT AS PROVIDED IN THE RELEVANT TERMS AND CONDITIONS OF SALE FOR PRODUCT, AND TO THE MAXIMUM EXTENT ALLOWABLE BY LAW, TOSHIBA (1) ASSUMES NO LIABILITY WHATSOEVER, INCLUDING WITHOUT LIMITATION, INDIRECT, CONSEQUENTIAL, SPECIAL, OR INCIDENTAL DAMAGES OR LOSS, INCLUDING WITHOUT LIMITATION, LOSS OF PROFITS, LOSS OF OPPORTUNITIES, BUSINESS INTERRUPTION AND LOSS OF DATA, AND (2) DISCLAIMS ANY AND ALL EXPRESS OR IMPLIED WARRANTIES AND CONDITIONS RELATED TO SALE, USE OF PRODUCT, OR INFORMATION, INCLUDING WARRANTIES OR CONDITIONS OF MERCHANTABILITY, FITNESS FOR A PARTICULAR PURPOSE, ACCURACY OF INFORMATION, OR NONINFRINGEMENT.**
- Do not use or otherwise make available Product or related software or technology for any military purposes, including without limitation, for the design, development, use, stockpiling or manufacturing of nuclear, chemical, or biological weapons or missile technology products (mass destruction weapons). Product and related software and technology may be controlled under the applicable export laws and regulations including, without limitation, the Japanese Foreign Exchange and Foreign Trade Law and the U.S. Export Administration Regulations. Export and re-export of Product or related software or technology are strictly prohibited except in compliance with all applicable export laws and regulations.
- Please contact your TOSHIBA sales representative for details as to environmental matters such as the RoHS compatibility of Product. Please use Product in compliance with all applicable laws and regulations that regulate the inclusion or use of controlled substances, including without limitation, the EU RoHS Directive. **TOSHIBA ASSUMES NO LIABILITY FOR DAMAGES OR LOSSES OCCURRING AS A RESULT OF NONCOMPLIANCE WITH APPLICABLE LAWS AND REGULATIONS.**

Toshiba Electronic Devices & Storage Corporation

<https://toshiba.semicon-storage.com/>