

32-bit RISC Microcontroller

TXZ+ Family

**Reference Manual
Comparator
(COMP-C)**

Revision 1.1

2021-01

TOSHIBA ELECTRONIC DEVICE & STORAGE CORPORATION

Contents

Preface	4
Related document.....	4
Conventions	5
Terms and Abbreviations	7
1. Outline	8
2. Configuration.....	8
3. Operation description.....	9
3.1. Clock supply.....	9
3.2. Operation	9
3.3. Example for use	10
4. Registers.....	11
4.1. Register List.....	11
4.2. Detail of Comparator Register	12
4.2.1. [CMPCTRLA] (Comparator Control Register).....	12
4.3. Detail of Digital to Analog Converter Registers	12
4.3.1. [DA0CR] (Control Register)	12
4.3.2. [DA0REG] (Converted Value Setting Register)	12
5. Revision History	13
RESTRICTIONS ON PRODUCT USE.....	14

List of Figures

Figure 2.1	Configuration of Comparator and Outside circuits	8
------------	--	---

List of Tables

Table 1.1	Comparator Functions.....	8
Table 2.1	Signal List.....	8
Table 3.1	Setting example (Calculation value)	10
Table 5.1	Revision History	13

Preface

Related document

Document name
Clock Control and Operation Mode
8-bit Digital to Analog Converter
Advanced Programmable Motor Control Circuit
12-bit Analog to Digital Converter
Product Information

Conventions

- Numeric formats follow the rules as shown below:
 - Hexadecimal: 0xABC
 - Decimal: 123 or 0d123 – Only when it needs to be explicitly shown that they are decimal numbers.
 - Binary: 0b111 – It is possible to omit the “0b” when the number of bit can be distinctly understood from a sentence.
- “_N” is added to the end of signal names to indicate low active signals.
- It is called “assert” that a signal moves to its active level, “deassert” to its inactive level.
- When two or more signal names are referred, they are described like as [m: n].
Example: S[3: 0] shows four signal names S3, S2, S1 and S0 together.
- The characters surrounded by [] defines the register.
Example: [ABCD]
- “n” substitutes suffix number of two or more same kind of registers, fields, and bit names.
Example: [XYZ1], [XYZ2], [XYZ3] → [XYZn]
- "x" substitutes suffix number or character of units and channels in the Register List.
 - In case of unit, “x” means A, B, and C . . .
 - Example: [ADACR0], [ADBCR0], [ADCCR0] → [ADxCR0]
 - In case of channel, “x” means 0, 1, and 2 . . .
 - Example: [T32A0RUNA], [T32A1RUNA], [T32A2RUNA] → [T32AxRUNA]
- The bit range of a register is written like as [m: n].
Example: Bit[3: 0] expresses the range of bit 3 to 0.
- The configuration value of a register is expressed by either the hexadecimal number or the binary number.
Example: [ABCD]<EFG> = 0x01 (hexadecimal), [XYZn]<VW> = 1 (binary)
- Word and Byte represent the following bit length.
 - Byte: 8 bits
 - Half word: 16 bits
 - Word: 32 bits
 - Double word: 64 bits
- Properties of each bit in a register are expressed as follows:
 - R: Read only
 - W: Write only
 - R/W: Read and Write are possible
- Unless otherwise specified, register access supports only word access.
- The register defined as reserved must not be rewritten. Moreover, do not use the read value.
- The value read from the bit having default value of "-" is unknown.
- When a register containing both of writable bits and read-only bits is written, read-only bits should be written with their default value, In the cases that default is “-“, follow the definition of each register.
- Reserved bits of the Write-only register should be written with their default value. In the cases that default is “-“, follow the definition of each register.
- Do not use read-modified-write processing to the register of a definition which is different by writing and read out.

All other company names, product names, and service names mentioned herein may be trademarks of their respective companies.

Terms and Abbreviations

Some of abbreviations used in this document are as follows:

ADC	Analog to Digital Converter
A-PMD	Advanced Programmable Motor Control Circuit
COMP	Comparator
DAC	Digital to Analog Converter
EMG	Emergency

1. Outline

A comparator (COMP) compares analog input voltage (AINA00 or AINA01) with reference voltage.

Table 1.1 Comparator Functions

Function classification	Function	A Functional Description or the range
comparison	Selection of compare voltage	Select AINA00 or AINA01
	Reference voltage	Use output of built-in DAC channel 0

2. Configuration

A comparator compares voltage (VINC) input from AINA00 or AINA01 with reference voltage (VREFC: channel 0 of built-in 8-bit digital to analog converter(DAC) output). A comparative result (COMP output) is outputted to the EMG input of Advanced Programmable Motor Control Circuit(A-PMD).

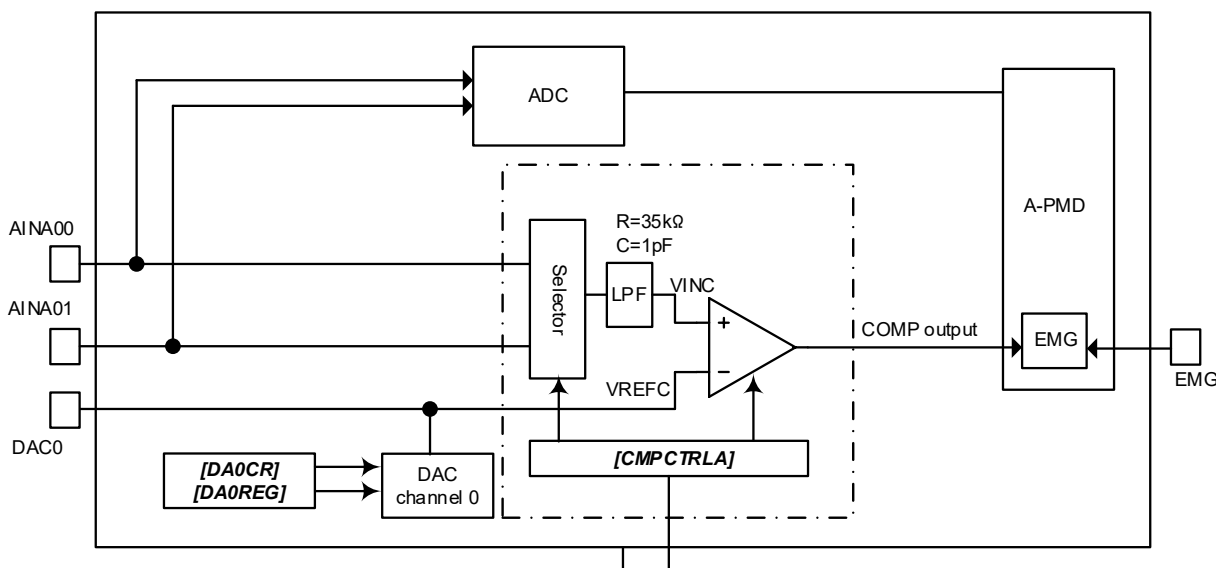


Figure 2.1 Configuration of Comparator and Outside circuits

Table 2.1 Signal List

No	Symbol	Signal name	I/O	Related reference manual
1	AINA00	Analog input pin 00	Input	Product Information, 12-bit Analog to Digital Converter
2	AINA01	Analog input pin 01	Input	Product Information, 12-bit Analog to Digital Converter
3	DAC0	DAC channel0 output	Output	Product Information, 8-bit Digital to Analog Converter

3. Operation description

3.1. Clock supply

When COMP is used, the corresponding clock enable bits should be set to "1" (Clock supply) in fsys supply stop register A (*[JCGFSYSENA]* and *[JCGFSYSMENA]*), fsys supply stop register B (*[JCGFSYSENB]* and *[JCGFSYSMENB]*), fsys supply stop register C (*[JCGFSYSMENC]*), and fc supply stop register (*[JCGFCEN]*).

The corresponding registers and the bit locations depend on a product. Some products do not have all registers. For the details, refer to "Clock Control and Operation Mode" in Reference manual.

3.2. Operation

1. Set up digital to analog converter used as reference voltage of COMP.

A *[DA0REG]* register is set to a conversion value, and *[DA0CR]<EN>* is set to "1". The voltage corresponding to a conversion value is outputted and it is inputted into the comparator as reference voltage. Wait the stable time (t_{sta}) of DAC0 output and operate "2".

Clear *[DA0CR]<EN>* to "0" then DAC channel 0 stops operation and the output of DAC0 becomes Hi-Z. Please stop the comparator before stopping DAC channel 0.

Please refer to the reference manual; "8-bit Digital to Analog Converter". For the stable time (t_{sta}) of the digital-to-analog converter output, refer to "Data Sheet"; 8-bit DA converter conversion characteristics in Electrical Characteristics.

2. Select voltage to compare and compare with reference voltage.

Select input voltage to compare by *[CMPCTRLA]<CMPSEL>*. Next, set *[CMPCTRLA]<CMPEN>* to "1", then the comparator starts operation. Wait the comparator enable time (T_{sta}) and operate "3".

For the comparator enable time (T_{sta}), refer to "Data Sheet"; comparator characteristics in Electrical Characteristics.

When input comparison voltage exceeds reference voltage, COMP output will be set to "1". Clear *[CMPCTRLA]<CMPEN>* to "0", the comparator stops operation and a COMP output is cleared to "0".

3. Set up A-PMD input.

Set "1" to *[PMDxEMGCR]<CPAIEN>*(enable input from comparator). Please refer to the reference manual; Advanced Programmable Motor Control Circuit.

Note1: When use the comparator, DAC0 terminal must be open (Hi-Z state).

When the output voltage of DAC is not stabilized, it is recommended to insert a capacitor between DAC0 terminal and GND. Stable time for an output to go into less than 2 LSB after changing DAC output setup is around 15 ms ($C=0.1\mu\text{F}$). Please adjust time according to stable condition.

Note2: Regardless to operation/stop of DAC channel 0, do not input voltage to DAC0 terminal.

Note3: VREFH of 8-bit digital to analog converter is AVDD5 and VREFL is AVSS.

3.3. Example for use

The table below shows an example of detection voltage setting when the input signal voltage is about 0V in normal condition and 1.5V when abnormality is detected.

Condition: DVDD5A=DVDD5B=AVDD5=5V, DVSSA=DVSSB=AVSS=0V
 DAC: VREFH=5V, VREFL=0V, DAC accuracy ± 1 LSB

Table 3.1 Setting example (Calculation value)

Reference voltage(V)	DAC channel 0 setting		Detection voltage	
	<DAC[7:0]>	Voltage(V)	Min(V)	Max(V)
0.5	00011010	0.508	0.483	0.533
0.8	00101001	0.801	0.776	0.826
1.0	00110100	1.016	0.991	1.041

Formula of detecting voltage:

$$V(\text{Max}) = (\text{DAC channel 0 setting voltage}) + 19.5\text{mV} + 5\text{mV}$$

$$V(\text{Min}) = (\text{DAC channel 0 setting voltage}) - 19.5\text{mV} - 5\text{mV}$$

4. Registers

4.1. Register List

The control register and address of the comparator is as follows.

Function name		Channel/Unit	Base address
Comparator	COMP	-	0x400BC100

Register name		Address(Base+)
Comparator Control Register	<i>[CMPCTRLA]</i>	0x0000

The control registers and address of DAC channel0 are as follows.

Function name		Channel/Unit	Base address
8-bit Digital to Analog Converter	DAC	ch0	0x40054000

Register Name		Address(Base+)
Control Register	<i>[DA0CR]</i>	0x0000
Converted Value Setting Register	<i>[DA0REG]</i>	0x0004

4.2. Detail of Comparator Register

4.2.1. [CMPCTRLA] (Comparator Control Register)

Bit	Bit Symbol	After reset	Type	Function
31:2	-	0	R	Read as "0"
1	CMPISEL	0	R/W	Selection of analog input 0: AINA00 1: AINA01
0	CMPEN	0	R/W	COMP operation 0: Stop 1: Operate

4.3. Detail of Digital to Analog Converter Registers

4.3.1. [DA0CR] (Control Register)

Bit	Bit Symbol	After Reset	Type	Function
31:1	-	0	R	Read as "0"
0	EN	0	R/W	DAC operation 0: Stop 1: Operate

4.3.2. [DA0REG] (Converted Value Setting Register)

Bit	Bit Symbol	After Reset	Type	Function
31:8	-	0	R	Read as "0"
7:0	DAC[7:0]	0x00	R/W	Converted value setting: Digital value corresponding to the analog output voltage value is set. The output voltage is calculated with the following formula. $DAC0 = \langle DAC \rangle \times (VREFH - VREFL) / 256$

5. Revision History

Table 5.1 Revision History

Revision	Date	Description
1.0	2020-10-12	First release
1.1	2021-01-29	3.2. Operation Deleted : 4.5 μ s from "Stable time of digital analog converter output (tsta: 4.5 μ s)" in Section 1, and specified the reference destination of the tsta. And deleted : 5 μ s from "Comparator enable time (Tsta: 5 μ s)" in Section 2, and specified the reference destination of the Tsta.

RESTRICTIONS ON PRODUCT USE

Toshiba Corporation and its subsidiaries and affiliates are collectively referred to as "TOSHIBA".
Hardware, software and systems described in this document are collectively referred to as "Product".

- TOSHIBA reserves the right to make changes to the information in this document and related Product without notice.
- This document and any information herein may not be reproduced without prior written permission from TOSHIBA. Even with TOSHIBA's written permission, reproduction is permissible only if reproduction is without alteration/omission.
- Though TOSHIBA works continually to improve Product's quality and reliability, Product can malfunction or fail. Customers are responsible for complying with safety standards and for providing adequate designs and safeguards for their hardware, software and systems which minimize risk and avoid situations in which a malfunction or failure of Product could cause loss of human life, bodily injury or damage to property, including data loss or corruption. Before customers use the Product, create designs including the Product, or incorporate the Product into their own applications, customers must also refer to and comply with (a) the latest versions of all relevant TOSHIBA information, including without limitation, this document, the specifications, the data sheets and application notes for Product and the precautions and conditions set forth in the "TOSHIBA Semiconductor Reliability Handbook" and (b) the instructions for the application with which the Product will be used with or for. Customers are solely responsible for all aspects of their own product design or applications, including but not limited to (a) determining the appropriateness of the use of this Product in such design or applications; (b) evaluating and determining the applicability of any information contained in this document, or in charts, diagrams, programs, algorithms, sample application circuits, or any other referenced documents; and (c) validating all operating parameters for such designs and applications. **TOSHIBA ASSUMES NO LIABILITY FOR CUSTOMERS' PRODUCT DESIGN OR APPLICATIONS.**
- **PRODUCT IS NEITHER INTENDED NOR WARRANTED FOR USE IN EQUIPMENTS OR SYSTEMS THAT REQUIRE EXTRAORDINARILY HIGH LEVELS OF QUALITY AND/OR RELIABILITY, AND/OR A MALFUNCTION OR FAILURE OF WHICH MAY CAUSE LOSS OF HUMAN LIFE, BODILY INJURY, SERIOUS PROPERTY DAMAGE AND/OR SERIOUS PUBLIC IMPACT ("UNINTENDED USE").** Except for specific applications as expressly stated in this document, Unintended Use includes, without limitation, equipment used in nuclear facilities, equipment used in the aerospace industry, lifesaving and/or life supporting medical equipment, equipment used for automobiles, trains, ships and other transportation, traffic signaling equipment, equipment used to control combustions or explosions, safety devices, elevators and escalators, and devices related to power plant. **IF YOU USE PRODUCT FOR UNINTENDED USE, TOSHIBA ASSUMES NO LIABILITY FOR PRODUCT.** For details, please contact your TOSHIBA sales representative or contact us via our website.
- Do not disassemble, analyze, reverse-engineer, alter, modify, translate or copy Product, whether in whole or in part.
- Product shall not be used for or incorporated into any products or systems whose manufacture, use, or sale is prohibited under any applicable laws or regulations.
- The information contained herein is presented only as guidance for Product use. No responsibility is assumed by TOSHIBA for any infringement of patents or any other intellectual property rights of third parties that may result from the use of Product. No license to any intellectual property right is granted by this document, whether express or implied, by estoppel or otherwise.
- **ABSENT A WRITTEN SIGNED AGREEMENT, EXCEPT AS PROVIDED IN THE RELEVANT TERMS AND CONDITIONS OF SALE FOR PRODUCT, AND TO THE MAXIMUM EXTENT ALLOWABLE BY LAW, TOSHIBA (1) ASSUMES NO LIABILITY WHATSOEVER, INCLUDING WITHOUT LIMITATION, INDIRECT, CONSEQUENTIAL, SPECIAL, OR INCIDENTAL DAMAGES OR LOSS, INCLUDING WITHOUT LIMITATION, LOSS OF PROFITS, LOSS OF OPPORTUNITIES, BUSINESS INTERRUPTION AND LOSS OF DATA, AND (2) DISCLAIMS ANY AND ALL EXPRESS OR IMPLIED WARRANTIES AND CONDITIONS RELATED TO SALE, USE OF PRODUCT, OR INFORMATION, INCLUDING WARRANTIES OR CONDITIONS OF MERCHANTABILITY, FITNESS FOR A PARTICULAR PURPOSE, ACCURACY OF INFORMATION, OR NONINFRINGEMENT.**
- Do not use or otherwise make available Product or related software or technology for any military purposes, including without limitation, for the design, development, use, stockpiling or manufacturing of nuclear, chemical, or biological weapons or missile technology products (mass destruction weapons). Product and related software and technology may be controlled under the applicable export laws and regulations including, without limitation, the Japanese Foreign Exchange and Foreign Trade Law and the U.S. Export Administration Regulations. Export and re-export of Product or related software or technology are strictly prohibited except in compliance with all applicable export laws and regulations.
- Please contact your TOSHIBA sales representative for details as to environmental matters such as the RoHS compatibility of Product. Please use Product in compliance with all applicable laws and regulations that regulate the inclusion or use of controlled substances, including without limitation, the EU RoHS Directive. **TOSHIBA ASSUMES NO LIABILITY FOR DAMAGES OR LOSSES OCCURRING AS A RESULT OF NONCOMPLIANCE WITH APPLICABLE LAWS AND REGULATIONS.**