

TOSHIBA

TOSHIBA Original CMOS 8-Bit Microcontroller

TLCS-870 Series

TMP87P809NG

TMP87P809MG

Not Recommended
for New Design

TOSHIBA CORPORATION

Semiconductor Company

Important Notices

Thank you for your continued patronage of Toshiba microcontrollers.

This page gives you important information on using Toshiba microcontrollers. Please be sure to check each item for proper use of our products.

Not Recommended
for New Design

TOSHIBA Microcontrollers
 870 Family
 (TMP87C409BN) (TMP87C409BM) (TMP87C809BN) (TMP87C809BM) (TMP87P809)

Datasheet Modifications: I²C Bus Mode Control

The following problem is included in the explanation of the I²C bus function of this data sheet. It will guide the correction as follows. Please read it for the explanation of this data sheet as follows.

Section: “I²C Bus Mode Control”

▪ **In the explanation of the Serial Bus Interface Control Register 1**

1. Delete the setting examples where the serial clock frequency exceeds 100 kHz.
2. Add the following note.

| | | | | |
|-----|------------------------|-----------------------|--|------------|
| SCK | Serial clock selection | 000 : Reserved (Note) | } at f _c = 8MHz (Output on SCL pin) | Write-only |
| | | 001 : Reserved (Note) | | |
| | | 010 : 58.8 kHz | | |
| | | 011 : 30.3 kHz | | |
| | | 100 : 15.4 kHz | | |
| | | 101 : 7.75 kHz | | |
| | | 110 : 3.89 kHz | | |
| | | 111 : reserved | | |

Note: This I²C bus circuit does not support the Fast mode. It supports the Standard mode only. Although the I²C bus circuit itself allows the setting of a baud rate over 100 kbps, the compliance with the I²C specification is not guaranteed in that case.

▪ **In “(3) Serial clock”**

1. Add the following sentence about the communication baud rate.
 - a. Clock source

The SCK (bits 2 to 0 in the SBICR1) is used to select a maximum transfer frequency outputed on the SCL pin in the master mode. **Set a communication baud rate that meets the I²C bus specification, such as the shortest pulse width of t_{LOW}, based on the equations shown below.**

In both master mode and slave mode, a pulse width of at least 4 machine cycles is require for both “H” and “L” levels.

$$t_{LOW} = 2^n / f_c$$

$$t_{HIGH} = 2^n / f_c + 8 / f_c$$

$$f_{scl} = 1 / (t_{LOW} + t_{HIGH})$$

Document Change Notification

The purpose of this notification is to inform customers about the launch of the Pb-free version of the device. The introduction of a Pb-free replacement affects the datasheet. Please understand that this notification is intended as a temporary substitute for a revision of the datasheet.

Changes to the datasheet may include the following, though not all of them may apply to this particular device.

1. Part number

Example: TMPxxxxxF TMPxxxxxFG

All references to the previous part number were left unchanged in body text. The new part number is indicated on the prelims pages (cover page and this notification).

2. Package code and package dimensions

Example: LQFP100-P-1414-0.50C LQFP100-P-1414-0.50F

All references to the previous package code and package dimensions were left unchanged in body text. The new ones are indicated on the prelims pages.

3. Addition of notes on lead solderability

Now that the device is Pb-free, notes on lead solderability have been added.

4. RESTRICTIONS ON PRODUCT USE

The previous (obsolete) provision might be left unchanged on page 1 of body text. A new replacement is included on the next page.

5. Publication date of the datasheet

The publication date at the lower right corner of the prelims pages applies to the new device.

1. Part number
2. Package code and dimensions

| Previous Part Number (in Body Text) | Previous Package Code (in Body Text) | New Part Number | New Package Code | OTP |
|--|---|-----------------|-------------------|-----|
| TMP87P809N | P-SDIP28-400-1.78 | TMP87P809NG | SDIP28-P-400-1.78 | — |
| TMP87P809M | P-SOP28-450-1.27 | TMP87P809MG | SOP28-P-450-1.27B | — |

*: For the dimensions of the new package, see the attached Package Dimensions diagram.

3. Addition of notes on lead solderability

The following solderability test is conducted on the new device.

Lead solderability of Pb-free devices (with the G suffix)

| Test | Test Conditions | Remark |
|---------------|---|---|
| Solderability | (1) Use of Lead (Pb) ·solder bath temperature = 230°C ·dipping time = 5 seconds ·the number of times = once ·use of R-type flux (2) Use of Lead (Pb)-Free ·solder bath temperature = 245°C ·dipping time = 5 seconds ·the number of times = once ·use of R-type flux | Leads with over 95% solder coverage till lead forming are acceptable. |

4. RESTRICTIONS ON PRODUCT USE

The following replaces the “RESTRICTIONS ON PRODUCT USE” on page 1 of body text.

RESTRICTIONS ON PRODUCT USE

20070701-EN

- The information contained herein is subject to change without notice.
- TOSHIBA is continually working to improve the quality and reliability of its products. Nevertheless, semiconductor devices in general can malfunction or fail due to their inherent electrical sensitivity and vulnerability to physical stress. It is the responsibility of the buyer, when utilizing TOSHIBA products, to comply with the standards of safety in making a safe design for the entire system, and to avoid situations in which a malfunction or failure of such TOSHIBA products could cause loss of human life, bodily injury or damage to property. In developing your designs, please ensure that TOSHIBA products are used within specified operating ranges as set forth in the most recent TOSHIBA products specifications. Also, please keep in mind the precautions and conditions set forth in the “Handling Guide for Semiconductor Devices,” or “TOSHIBA Semiconductor Reliability Handbook” etc.
- The TOSHIBA products listed in this document are intended for usage in general electronics applications (computer, personal equipment, office equipment, measuring equipment, industrial robotics, domestic appliances, etc.). These TOSHIBA products are neither intended nor warranted for usage in equipment that requires extraordinarily high quality and/or reliability or a malfunction or failure of which may cause loss of human life or bodily injury (“Unintended Usage”). Unintended Usage include atomic energy control instruments, airplane or spaceship instruments, transportation instruments, traffic signal instruments, combustion control instruments, medical instruments, all types of safety devices, etc.. Unintended Usage of TOSHIBA products listed in his document shall be made at the customer’s own risk.
- The products described in this document shall not be used or embedded to any downstream products of which manufacture, use and/or sale are prohibited under any applicable laws and regulations.
- The information contained herein is presented only as a guide for the applications of our products. No responsibility is assumed by TOSHIBA for any infringements of patents or other rights of the third parties which may result from its use. No license is granted by implication or otherwise under any patents or other rights of TOSHIBA or the third parties.
- Please contact your sales representative for product-by-product details in this document regarding RoHS compatibility. Please use these products in this document in compliance with all applicable laws and regulations that regulate the inclusion or use of controlled substances. Toshiba assumes no liability for damage or losses occurring as a result of noncompliance with applicable laws and regulations.
- For a discussion of how the reliability of microcontrollers can be predicted, please refer to Section 1.3 of the chapter entitled Quality and Reliability Assurance/Handling Precautions.

5. Publication date of the datasheet

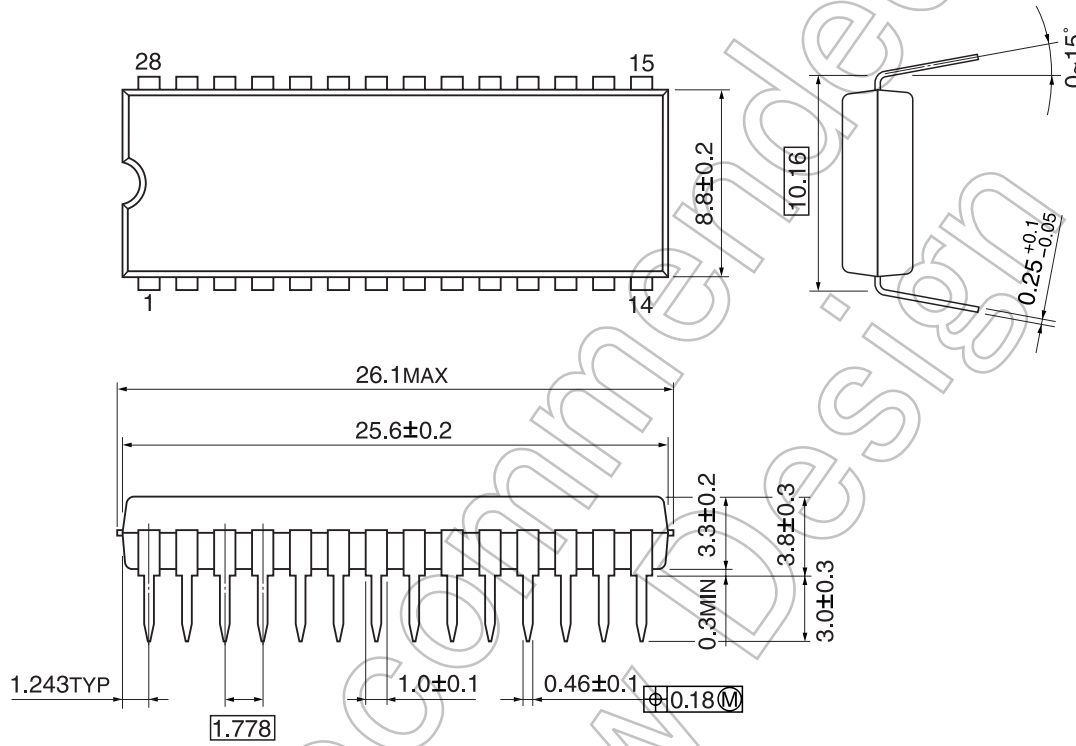
The publication date of this datasheet is printed at the lower right corner of this notification.

(Annex)

Package Dimensions

SDIP28-P-400-1.78

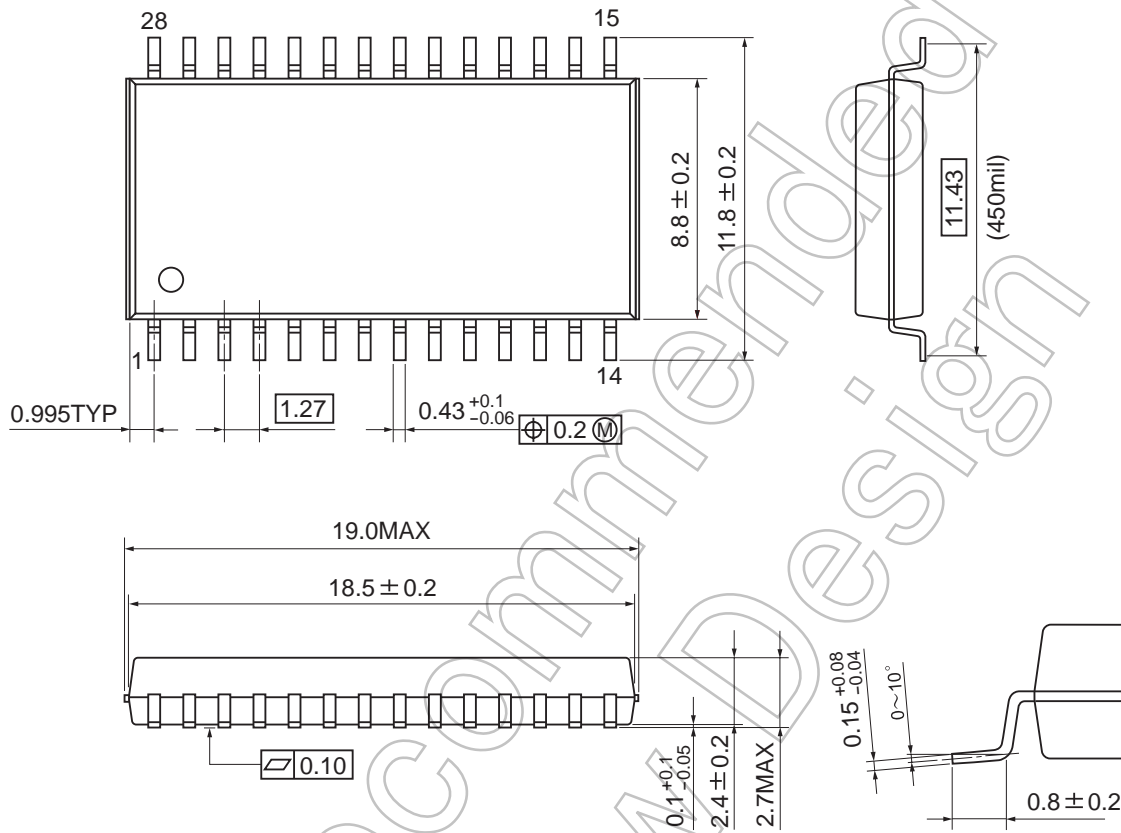
Unit: mm



Not Recommended for New Design

SOP28-P-450-1.27B

Unit: mm



Note: Palladium plated

Not Recommended for New Design

CMOS 8-bit Microcontroller

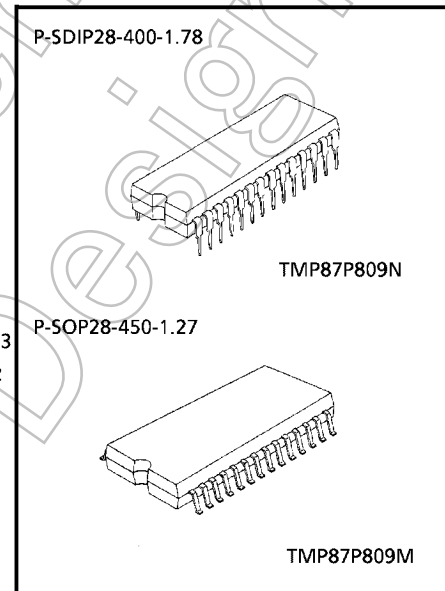
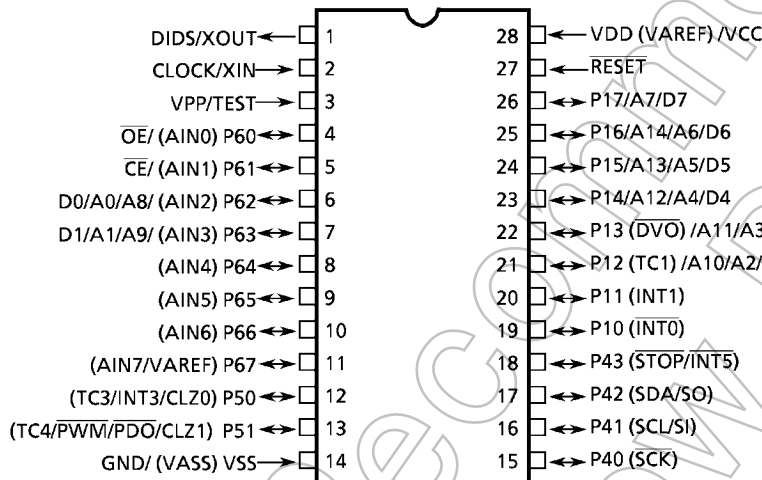
TMP87P809N/M

The TMP87P809 is a high-speed, high-performance 8-bit single chip microcomputer, which has 64-Kbits One-Time PROM. The TMP87P809 is pin compatible with the TMP87C409B/809B. The operations possible with the TMP87C409B/809B can be performed by writing programs to PROM. The TMP87P809 can write and verify in the same way as the TC57256AD using an adapter socket and a general-purpose PROM programmer.

| Product No. | ROM | RAM | Package | Adapter socket |
|-------------|----------|-----------|-------------------|----------------|
| TMP87P809N | 8 Kbytes | 256 bytes | P-SDIP28-400-1.78 | BM11122 |
| TMP87P809M | | | P-SOP28-450-1.27 | BM11116 |

Pin Assignments (Top View)

SOP28 / SDIP28



000707EBA1

- For a discussion of how the reliability of microcontrollers can be predicted, please refer to Section 1.3 of the chapter entitled Quality and Reliability Assurance / Handling Precautions.
- TOSHIBA is continually working to improve the quality and reliability of its products. Nevertheless, semiconductor devices in general can malfunction or fail due to their inherent electrical sensitivity and vulnerability to physical stress. It is the responsibility of the buyer, when utilizing TOSHIBA products, to comply with the standards of safety in making a safe design for the entire system, and to avoid situations in which a malfunction or failure of such TOSHIBA products could cause loss of human life, bodily injury or damage to property. In developing your designs, please ensure that TOSHIBA products are used within specified operating ranges as set forth in the most recent TOSHIBA products specifications. Also, please keep in mind the precautions and conditions set forth in the "Handling Guide for Semiconductor Devices," or "TOSHIBA Semiconductor Reliability Handbook" etc..
- The TOSHIBA products listed in this document are intended for usage in general electronics applications (computer, personal equipment, office equipment, measuring equipment, industrial robotics, domestic appliances, etc.). These TOSHIBA products are neither intended nor warranted for usage in equipment that requires extraordinarily high quality and/or reliability or a malfunction or failure of which may cause loss of human life or bodily injury ("Unintended Usage"). Unintended Usage include atomic energy control instruments, airplane or spaceship instruments, transportation instruments, traffic signal instruments, combustion control instruments, medical instruments, all types of safety devices, etc.. Unintended Usage of TOSHIBA products listed in this document shall be made at the customer's own risk.
- The products described in this document are subject to the foreign exchange and foreign trade laws.
- The information contained herein is presented only as a guide for the applications of our products. No responsibility is assumed by TOSHIBA CORPORATION for any infringements of intellectual property or other rights of the third parties which may result from its use. No license is granted by implication or otherwise under any intellectual property or other rights of TOSHIBA CORPORATION or others.
- The information contained herein is subject to change without notice.

Pin Function

The TMP87P809 has two modes: MCU and PROM.

(1) MCU mode

In this mode, the TMP87P809 is pin compatible with the TMP87C409B/809B (fix the TEST pin at "L" level).

(2) PROM mode

| Pin Name (PROM mode) | Input / Output | Functions | Pin name (MCU mode) |
|----------------------|----------------|--|----------------------|
| A14 to A8 | Input | Program memory address input | P17 to P12, P63, P62 |
| A7 to A0 | | | P17 to P12, P63, P62 |
| D7 to D0 | I/O | Program memory data input/output | P17 to P12, P63, P62 |
| \overline{CE} | Input | Chip enable signal input | P61 |
| \overline{OE} | | Output enable signal input | P60 |
| VPP | Power supply | + 12.5 V / 5 V (Program supply voltage) | TEST |
| VCC | | + 5 V | VDD |
| GND | | 0 V | VSS |
| P11 to P10 | I/O | PROM mode setting pins. Be fixed at "L" level. | |
| P43 to P40 | | | |
| P51 to P50 | | | |
| P67 to P64 | | | |
| \overline{RESET} | Input | | |
| XIN | Input | Inputs a clock externally. (CLOCK) | XIN |
| XOUT | Input | PROM mode control signal (DIDS) input | XOUT |

Operational Description

The configuration and function of the TMP87P809 are the same as those of the TMP87C409B/809B, except in that a one-time PROM is used instead of an on-chip mask ROM.

1. Operating Mode

The TMP87P809 has two modes: MCU and PROM.

1.1 MCU Mode

The MCU mode is activated by fixing the TEST/VPP pin at "L" level.

In the MCU mode, operation is the same as with the TMP87C409B/809B (TEST/VPP pin cannot be used open because it has no built in pull-down resistance.)

1.1.1 Program memory

The TMP87P809 has a 8 Kbyte (addresses E000 to FFFF_H in the MCU mode, addresses 6000 to 7FFF_H in the PROM mode) one-time PROM.

To use the TMP87P809 as the system evaluation for the TMP87C409B/809B, the program should be written to the program memory area as shown in Figure 1-1.

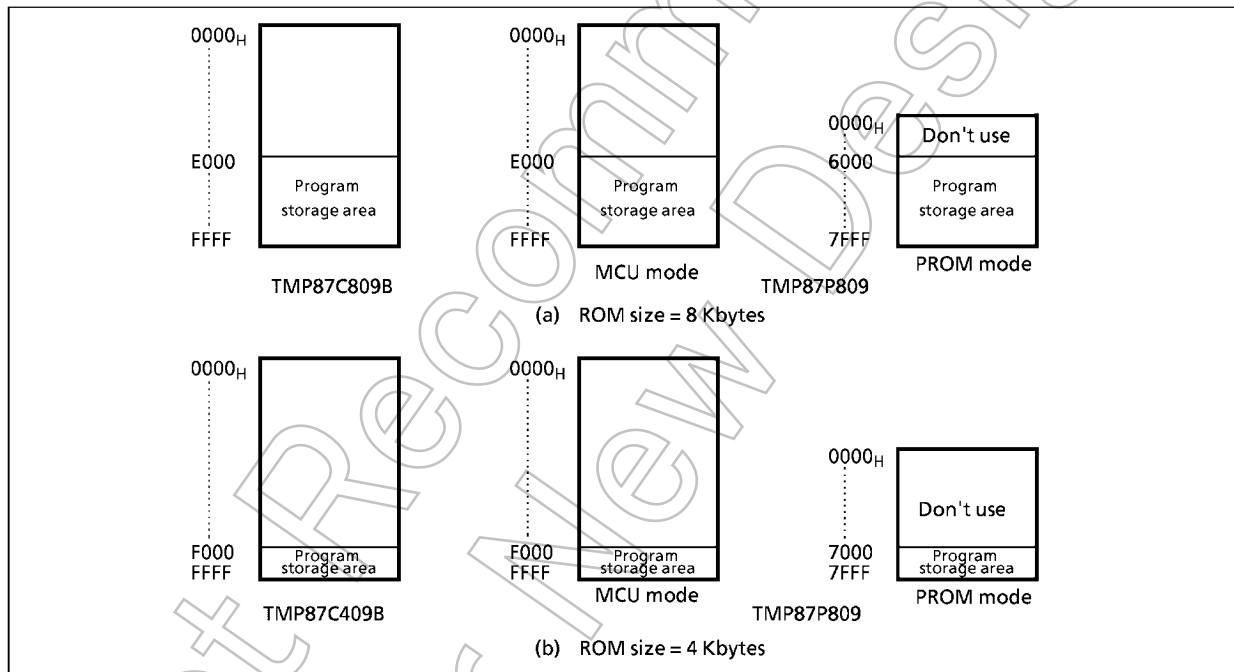


Figure 1-1. Program memory area

Note: Either write the data FFH to the unused area or set the general-purpose PROM programmer to access only the program storage area

1.1.2 Data memory

The TMP87P809 has an 256 bytes data memory (static RAM).

1.1.3 Input / Output circuits

(1) Control pins

The control pins of the TMP87P809 are the same as those of the TMP87C409B/809B except that the TEST pin has no built-in pull-down resistance.

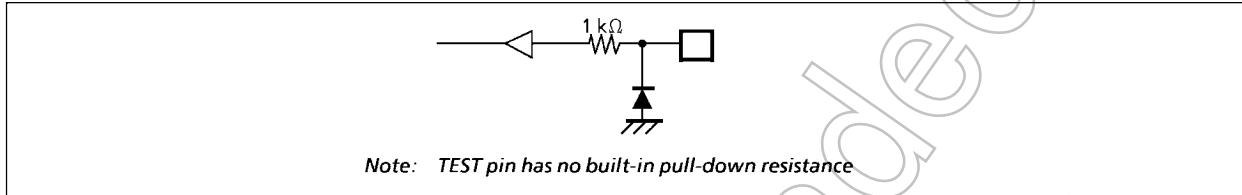


Figure 1-2. TEST Pin

(2) I/O port

The I/O circuits of TMP87P809 ports are the same as the TMP87C409B/809B.

1.2 PROM Mode

The PROM mode is used to write and verify programs with a general-purpose PROM programmer.

Note: Please set the high-speed programming mode according to each manual of PROM programmer.

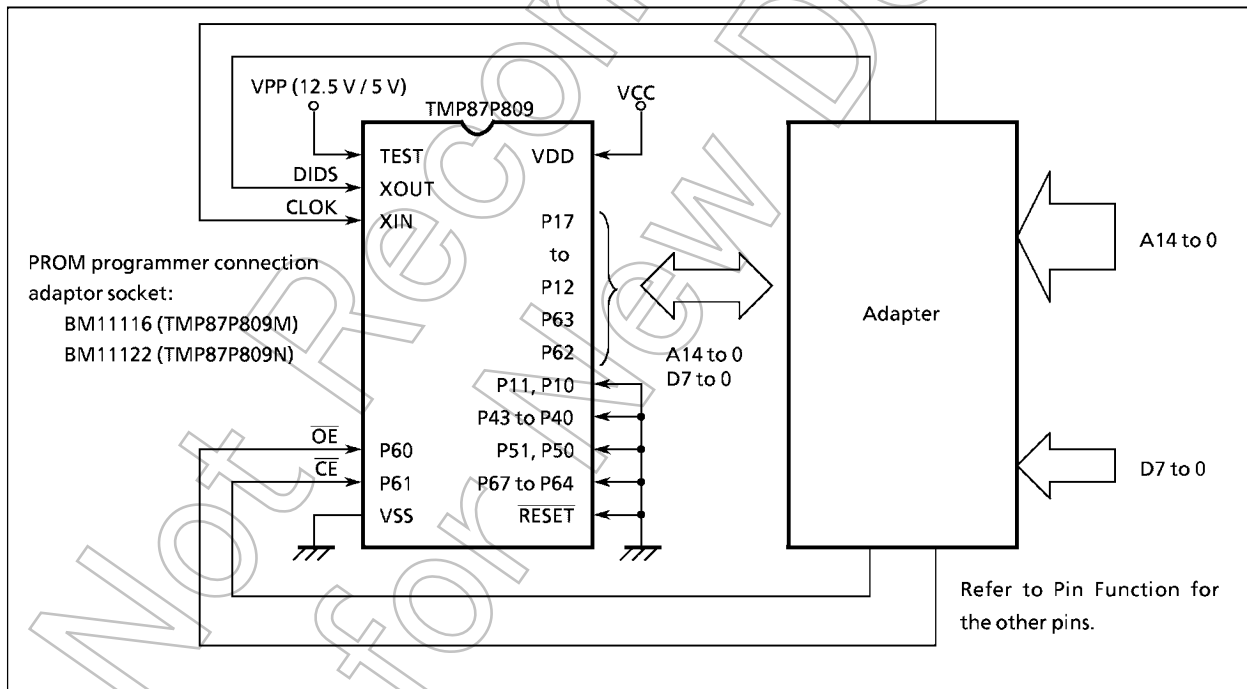


Figure 1-3. Setting for PROM mode

1.2.1 Programming flowchart (High-speed Programming Mode-I)

The high-speed programming mode is achieved by applying the program voltage (+ 12.5 V) to the Vpp pin when Vcc = 6 V. After the address and input data are stable, the data is programmed by applying a single 1ms program pulse to the CE input. The programmed data is verified. If incorrect, another 1ms program pulse is applied and then the programmed data is verified. This process should be repeated (up to 25 times) until the program operates correctly. Programming for one address is ended by applying additional program pulse with width 3 times that needed for initial programming (number of programmed times × 1 ms). After that, change the address and input data, and program as before. When programming has been completed, the data in all addresses should be verified with Vcc = Vpp = 5 V.

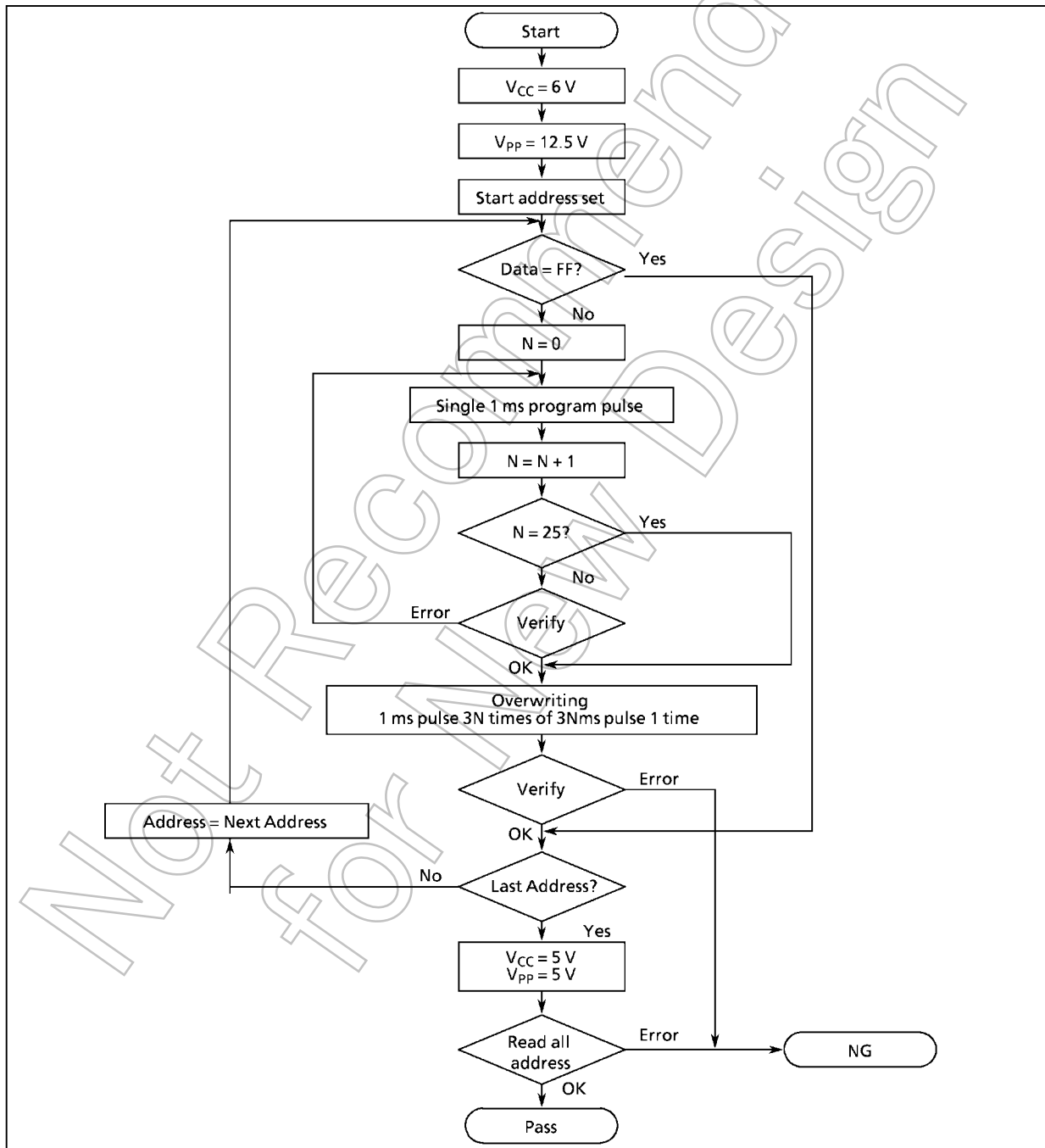


Figure 1-4. Flowchart of high-speed programming mode - I

1.2.2 Programming flowchart (High-speed Programming Mode-II)

The high-speed programming mode is achieved by applying the program voltage (+ 12.75 V) to the Vpp pin when Vcc = 6.25 V. After the address and input data are stable, the data is programmed by applying a single 0.1ms program pulse to the CE input. The programmed data is verified. If incorrect, another 0.1ms program pulse is applied and then the programmed data is verified. This process should be repeated (up to 25 times) until the program operates correctly. After that, change the address and input data, and program as before. When programming has been completed, the data in all addresses should be verified with Vcc = Vpp = 5 V.

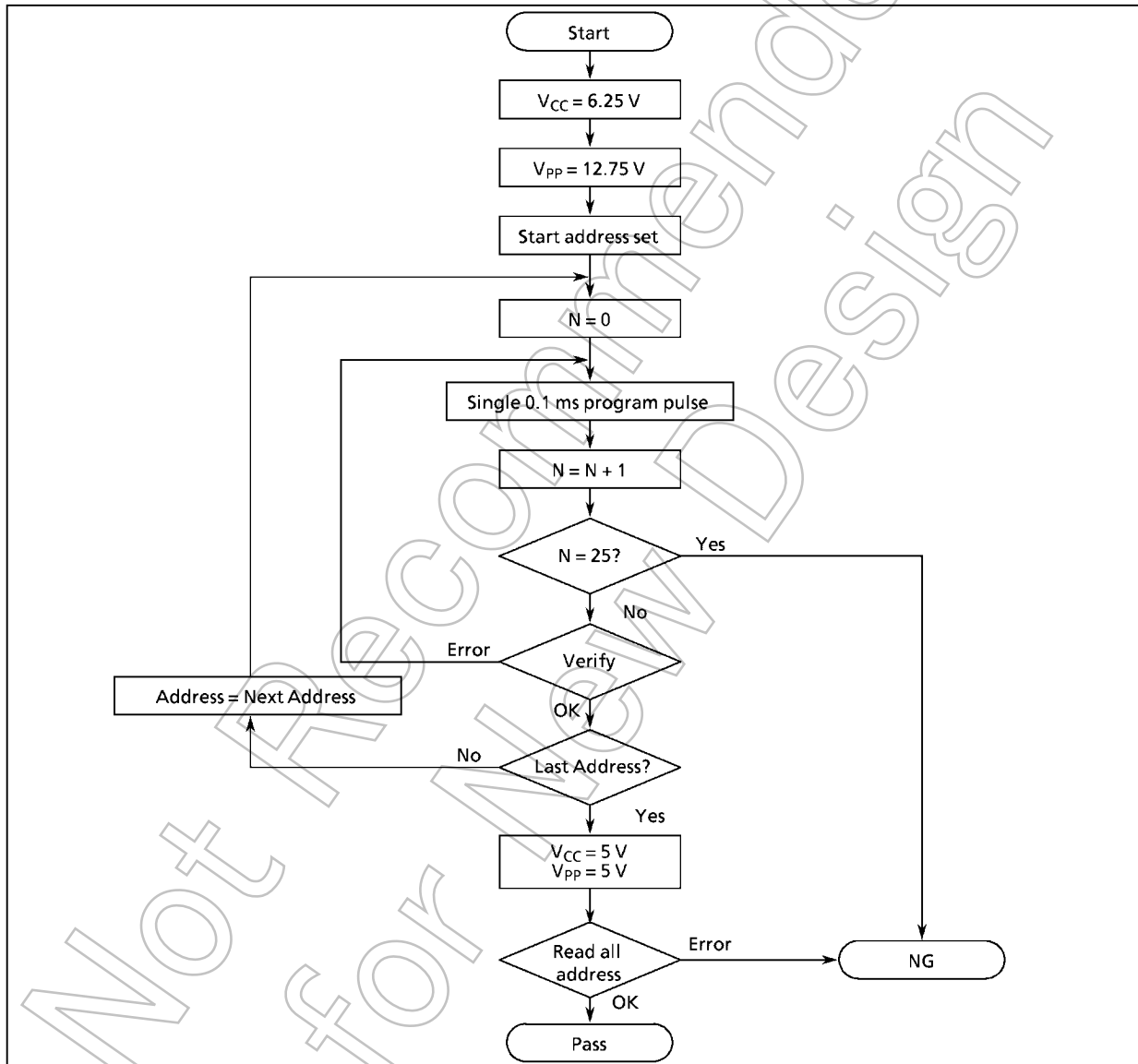


Figure 1-5. Flowchart of high-speed programming mode - II

1.2.3 Writing method for general-purpose PROM program

(1) Adapters

BM11116: TMP87P809M

BM11122: TMP87P809N

(2) Adapter setting

Switch (SW1) is set to side N.

(3) PROM programmer specifying

i) PROM type is specified to TC57256AD.

Writing voltage: 12.5 V (high-speed program I mode)

12.75 V (high-speed program II mode)

ii) Data transfer (copy) (note 1)

In TMP87P809, EPROM is within the addresses 6000 to 7FFF_H. Data is required to be transferred (copied) to the addresses where it is possible to write. The program area in MCU mode and PROM mode is referred to "Program memory area" in Figure 1-1.

Ex. In the block transfer (copy) mode, executed as below.

ROM capacity of 4KB: transferred addresses F000 to FFFF_H to addresses 7000 to 7FFF_H

ROM capacity of 8KB: transferred addresses E000 to FFFF_H to addresses 6000 to 7FFF_H

iii) Writing address is specified. (note 1)

Start address: 7000_H (ROM 8 KB: 6000_H)

End address: 7FFF_H

(4) Writing

Writing/Verifying is required to be executed in accordance with PROM programmer operating procedure.

Note 1: The specifying method is referred to the PROM programmer description. The data in addresses 0000 to 5FFF_H must be specified to FF_H.

Note 2: When MCU is set to an adapter or the adapter is set to PROM programmer, a position of pin 1 must be adjusted. If the setting is reversed, MCU, the adapter and PROM program is damaged.

Note 3: TMP87P809 does not support the electric signature mode (hereinafter referred to as "signature"). If the signature is used in PROM program, a device is damaged due to applying 12 V ± 0.5 V to the address pin 9 (A9). The signature must not be used.

Electrical Characteristics

| Absolute Maximum Ratings | | $(V_{SS} = 0 \text{ V})$ | | |
|--|------------|--------------------------|-------------------------|------------------|
| Parameter | Symbol | Condition | Ratings | Unit |
| Supply Voltage | V_{DD} | | - 0.3 to 6.5 | V |
| Program Voltage | V_{PP} | TEST/ V_{PP} pin | - 0.3 to 13.0 | V |
| Input Voltage | V_{IN} | | - 0.3 to $V_{DD} + 0.3$ | V |
| Output Voltage | V_{OUT1} | Ports P1, P5, P6, XOUT | - 0.3 to $V_{DD} + 0.3$ | |
| | V_{OUT2} | Port P4 | - 0.3 to 5.5 | V |
| Output Current (Per 1 pin) | IOL | I_{OUT1} | Ports P1, P6 | 3.2 |
| | | I_{OUT2} | Ports P4, P5 | 30 |
| | IOH | I_{OUT3} | Ports P1, P5, P6 | - 1.8 |
| Output Current (Total) | IOL | ΣI_{OUT1} | Ports P1, P6 | 30 |
| | | ΣI_{OUT2} | Ports P4, P5 | 80 |
| | IOH | ΣI_{OUT3} | Ports P1, P5, P6 | 30 |
| Power Dissipation [$T_{opr} = 70^\circ\text{C}$] | PD | SDIP | 300 | mW |
| | | SOP | 180 | |
| Soldering Temperature (time) | T_{sld} | | 260 (10 s) | $^\circ\text{C}$ |
| Storage Temperature | T_{stg} | | - 55 to 125 | $^\circ\text{C}$ |
| Operating Temperature | T_{opr} | | - 30 to 70 | $^\circ\text{C}$ |

Note: The absolute maximum ratings are rated values which must not be exceeded during operation, even for an instant. Any one of the ratings must not be exceeded. If any absolute maximum rating is exceeded, a device may break down or its performance may be degraded, causing it to catch fire or explode resulting in injury to the user. Thus, when designing products which include this device, ensure that no absolute maximum rating value will ever be exceeded.

| Recommended Operating Conditions | | $(V_{SS} = 0 \text{ V}, T_{opr} = - 30 \text{ to } 70^\circ\text{C})$ | | | | |
|----------------------------------|-----------|---|--|--------------------------|----------------------|------|
| Parameter | Symbol | Pins | Conditions | Min | Max | Unit |
| Supply Voltage | V_{DD} | | $f_c = 8 \text{ MHz}$ | NORMAL mode | 4.5 | 5.5 |
| | | | | IDLE mode | | |
| | | | $f_c = 4.2 \text{ MHz}$ | NORMAL mode | 2.2 | |
| | | | | IDLE mode | | |
| Input High Voltage | V_{IH1} | Except hysteresis input | $V_{DD} \geq 4.5 \text{ V}$ | $V_{DD} \times 0.70$ | V_{DD} | V |
| | | Hysteresis input | | $V_{DD} \times 0.75$ | | |
| | | | | $V_{DD} < 4.5 \text{ V}$ | | |
| Input Low Voltage | V_{IL1} | Except hysteresis input | $V_{DD} \geq 4.5 \text{ V}$ | | $V_{DD} \times 0.30$ | V |
| | | Hysteresis input | | 0 | $V_{DD} \times 0.25$ | |
| | | | | $V_{DD} < 4.5 \text{ V}$ | $V_{DD} \times 0.10$ | |
| Clock Frequency | f_c | XIN, XOUT | $V_{DD} = 4.5 \text{ to } 5.5 \text{ V}$ | 1.0 | 8.0 | MHz |
| | | | $V_{DD} = 2.2 \text{ V to } 5.5 \text{ V}$ | | 4.2 | |

Note1: The recommended operating conditions for a device are operating conditions under which it can be guaranteed that the device will operate as specified. If the device is used under operating conditions other than the recommended operating conditions (supply voltage, operating temperature range, specified AC/DC values etc.), malfunction may occur. Thus, when designing products which include this device, ensure that the recommended operating conditions for the device are always adhered to.

Note2: Clock frequency f_c : Supply voltage range is specified in NORMAL mode and IDLE mode.

DC Characteristics

(V_{SS} = 0 V, Topr = -30 to 70°C)

| Parameter | Symbol | Pins | Conditions | Min | Typ. | Max | Unit | |
|--------------------------------|------------------|------------------------|--|-----|------|-----|------|----|
| Hysteresis Voltage | V _{HS} | Hysteresis input | | - | 0.9 | - | V | |
| Input Current | I _{IN1} | TEST | V _{DD} = 5.5 V | - | - | - | μA | |
| | I _{IN2} | Tri-state ports | V _{IN} = 5.5 V / 0 V | - | - | ± 2 | | |
| | I _{IN3} | RESET, STOP | | | | | | |
| Input Resistance | R _{IN2} | RESET | | 100 | 220 | 450 | kΩ | |
| Output Leakage Current | I _{LO} | Tri-state ports | V _{DD} = 5.5 V, V _{OUT} = 5.5 V / 0 V | -2 | - | 2 | μA | |
| Output High Voltage | V _{OH2} | Tri-state ports | V _{DD} = 4.5 V, I _{OH} = -0.7 mA | 4.1 | - | - | V | |
| Output Low Voltage | V _{OL1} | Except XOUT, P4 and P5 | V _{DD} = 4.5 V, I _{OL} = 1.6 mA | - | - | 0.4 | | |
| Output Low current | I _{OL3} | P4, P5 | V _{DD} = 4.5 V, V _{OL} = 1.0 V | - | 20 | - | mA | |
| Supply Current in NORMAL modes | I _{DD} | | V _{DD} = 5.5 V f _c = 8 MHz V _{IN} = 5.3 V / 0.2 V | | 8 | 14 | mA | |
| Supply Current in IDLE modes | | | | | 4 | 6 | | |
| Supply Current in NORAML mode | | | | | 2.5 | 3.5 | | mA |
| Supply Current in IDLE mode | | | | | 1.5 | 2.0 | | |
| Supply Current in STOP mode | | | | | 0.5 | 10 | | μA |

Note 1: Typical values show those at Topr = 25°C, V_{DD} = 5 V.

Note 2: Input Current I_{IN1}, I_{IN3}: The current through resistor is not included, when the input resistor (pull-up or pull-down) is contained.

AD Conversion Characteristics

(V_{SS} = 0 V, V_{DD} = 2.2 to 5.5V, Topr = -30 to 70°C)

| Parameter | Symbol | Conditions | Min | Typ. | Max | Unit |
|----------------------------|-------------------|---|------------------|------|-------------------|------|
| Analog Reference Voltage | V _{AREF} | | 2.2 | - | V _{DD} | V |
| | V _{ASS} | | V _{SS} | | | |
| Analog Input Voltage range | V _{AIN} | | V _{ASS} | - | V _{AREF} | V |
| Analog Reference Current | I _{REF} | V _{AREF} = 5.5 V, V _{ASS} (V _{SS}) = 0.0 V | - | 0.5 | 1.0 | mA |
| Nonlinearity Error | | V _{DD} = 5.0 V V _{AREF} = 5.000 V V _{ASS} (V _{SS}) = 0.000 V | - | - | ± 2 | LSB |
| Zero Point Error | | or | - | - | ± 2 | |
| Full Scale Error | | V _{DD} = 2.2 V V _{AREF} = 2.200 V V _{ASS} (V _{SS}) = 0.000 V | - | - | ± 2 | |
| Total Error | | | - | - | ± 4 | |

Note: Quantizing error is not contained in those errors.

Oscillation Stop Detector Characteristics

 $(V_{SS} = 0\text{ V}, T_{opr} = -30\text{ to }70^{\circ}\text{C})$

| Parameter | SYMBOL | Conditions | Min | Typ. | Max | Unit |
|----------------|-----------|--|-----|------|-----|---------------|
| Detection time | T_{CLZ} | $V_{DD} = 2.2\text{ V to }5.5\text{ V}$ ($f_c = 2\text{ MHz to }4.2\text{ MHz}$) | 2 | 20 | 400 | μs |
| | | $V_{DD} = 4.5\text{ V to }5.5\text{ V}$ ($f_c = 8\text{ MHz}$) | | | | |

AC Characteristics

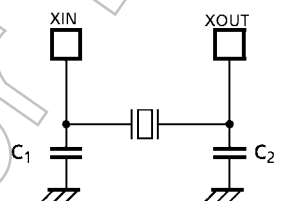
 $(V_{SS} = 0\text{ V}, V_{DD} = 4.5\text{ to }5.5\text{ V}, T_{opr} = -30\text{ to }70^{\circ}\text{C})$

| Parameter | Symbol | Conditions | Min | Typ. | Max | Unit |
|------------------------------|-----------|------------------------------|-----|------|-----|---------------|
| Machine Cycle Time | t_{cy} | In NORMAL mode | 0.5 | - | 4 | μs |
| | | In IDLE mode | | | | |
| High Level Clock Pulse Width | t_{WCH} | For external clock operation | 50 | - | - | ns |
| Low Level Clock Pulse Width | t_{WCL} | $f_c = 8\text{ MHz}$ | | | | |

Recommended Oscillating Conditions

 $(V_{SS} = 0\text{ V}, V_{DD} = 2.2\text{ to }5.5\text{ V}, T_{opr} = -30\text{ to }70^{\circ}\text{C})$

| Parameter | Oscillator | Oscillation Frequency | Recommended Oscillator | Recommended Constant | |
|----------------------------|-------------------|---------------------------|------------------------|----------------------|-------|
| | | | | C_1 | C_2 |
| High-frequency Oscillation | Ceramic Resonator | 8 MHz (4.5 V to 5.5 V) | MURATA CST8.00MTW | — | |
| | | | MURATA CSA8.00MTZ | 30 pF | 30 pF |
| | | 4 MHz (2.2 V to 5.5 V) | MURATA CST4.00MGWU | — | |
| | | | MURATA CSA4.00MGU | 30 pF | 30 pF |



(1) High-frequency Oscillation

Note 1: When used in high electric field such as a picture tube, the package is recommended to be electrically shielded to maintain a regular operation.

Note 2: The product numbers and specifications of the resonators by Murata Manufacturing Co., Ltd. are subject to change. For up-to-date information, please refer to the following URL; <http://www.murata.com/>

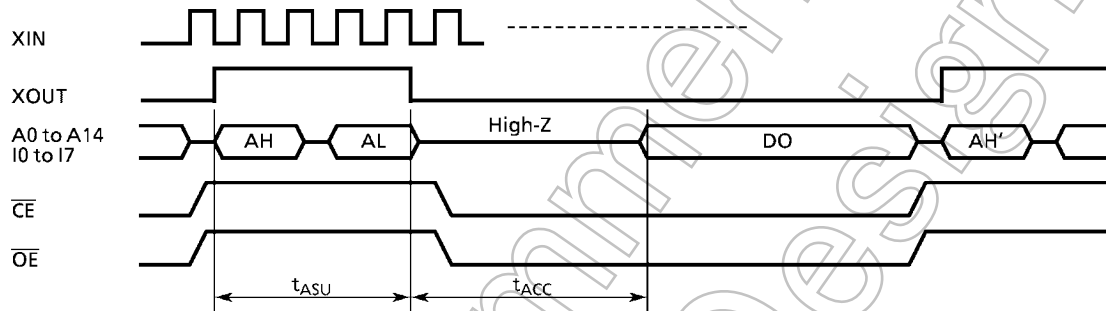
(1) READ OPERATION ($T_{opr} = 0$ to 70°C)

DC Characteristics, AC Characteristics

($V_{SS} = 0\text{ V}$)

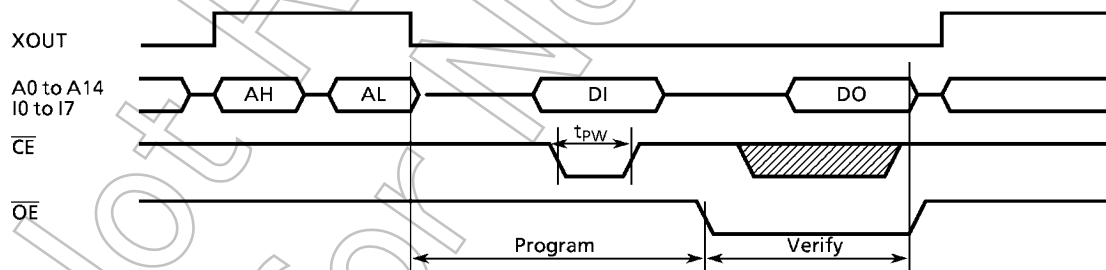
| Parameter | Symbol | Conditions | Min | Typ. | Max | Unit |
|------------------------|-----------|----------------------------------|----------------------|----------|---------------------|------|
| Input High Voltage | V_{IH4} | | $V_{CC} \times 0.67$ | – | V_{CC} | V |
| Input Low Voltage | V_{IL4} | | 0 | – | $V_{CC} \times 0.3$ | V |
| Supply Voltage | V_{CC} | | 4.75 | 5.00 | 5.25 | V |
| Program Supply Voltage | V_{PP} | | $V_{CC} - 0.6$ | V_{CC} | $V_{CC} + 0.6$ | |
| Address Set-up Time | t_{ASU} | | 400 | – | – | ns |
| Address Access Time | t_{ACC} | $V_{CC} = 5.0 \pm 0.25\text{ V}$ | – | 5tcyc | – | ns |

Note: $t_{cyc} = 400\text{ ns}$



(2) Program Operation (High speed write mode - I) ($T_{opr} = 25 \pm 5^{\circ}\text{C}$)

| Parameter | Symbol | Conditions | Min | Typ. | Max | Unit |
|-----------------------------|-----------|---|---------------------|------|----------------------|------|
| Input High Voltage | V_{IH4} | | $V_{CC} \times 0.7$ | – | V_{CC} | V |
| Input Low Voltage | V_{IL4} | | 0 | – | $V_{CC} \times 0.12$ | V |
| Supply Voltage | V_{CC} | | 5.75 | 6.0 | 6.25 | V |
| Program Supply Voltage | V_{PP} | | 12.0 | 12.5 | 13.0 | V |
| Initial Program Pulse Width | t_{PW} | $V_{CC} = 6.0\text{ V} \pm 0.25\text{ V}$, $V_{PP} = 12.5\text{ V} \pm 0.25\text{ V}$ | 0.95 | 1.0 | 1.05 | ms |

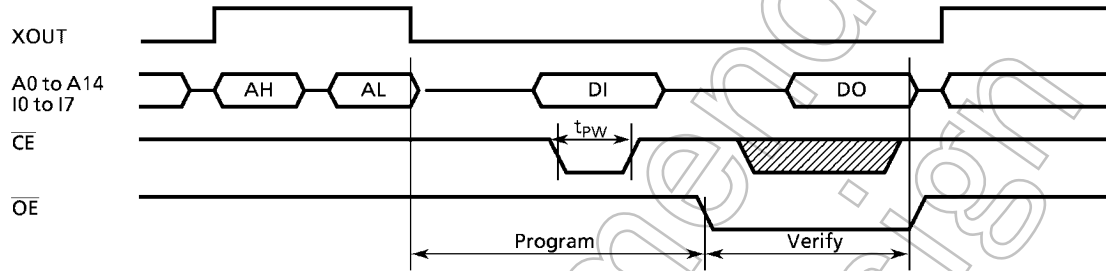


Note: DO ; Data output (I0 to I7) AL ; Address input (A0 to A7)
DI ; Data input (I0 to I7) AH ; Address input (A8 to A14)

- Note1: When V_{CC} power supply is turned on or after, V_{pp} must be increased. When V_{CC} power supply is turned off or before, V_{pp} must be decreased.
- Note2: The device must not be set to the EPROM programmer or picked up from it under applying the program voltage ($12.5\text{ V} \pm 0.5\text{ V}$) to the V_{pp} pin as the device is damaged.
- Note3: Be sure to execute the recommended programming mode with the recommended programing adaptor. If a mode or an adaptor except the above, the misoperation sometimes occurs.

(3) Program Operation (High speed write mode -II) ($T_{opr} = 25 \pm 5^{\circ}\text{C}$)

| Parameter | Symbol | Conditions | Min | Typ. | Max | Unit |
|-----------------------------|-----------|---|---------------------|-------|----------------------|------|
| Input High Voltage | V_{IH4} | | $V_{CC} \times 0.7$ | - | V_{CC} | V |
| Input Low Voltage | V_{IL4} | | 0 | - | $V_{CC} \times 0.12$ | V |
| Supply Voltage | V_{CC} | | 6.00 | 6.25 | 6.50 | V |
| Program Supply Voltage | V_{PP} | | 12.50 | 12.75 | 13.0 | V |
| Initial Program Pulse Width | t_{PW} | $V_{CC} = 6.25 \text{ V} \pm 0.25 \text{ V}$, $V_{PP} = 12.75 \text{ V} \pm 0.25 \text{ V}$ | 0.095 | 0.1 | 0.105 | ms |



Note: DO ; Data output (I0 to I7) AL ; Address input (A0 to A7)
 DI ; Data input (I0 to I7) AH ; Address input (A8 to A14)

Note1: When V_{CC} power supply is turned on or after, V_{pp} must be increased.
 When V_{CC} power supply is turned off or before, V_{pp} must be decreased.

Note2: The device must not be set to the EPROM programmer or picked up from it under applying the program voltage ($12.5 \text{ V} \pm 0.5 \text{ V}$) to the V_{pp} pin as the device is damaged.

Note3: Be sure to execute the recommended programming mode with the recommended programming adaptor. If a mode or an adaptor except the above, the misoperation sometimes occurs.