

NEW **TMPM369FDFG** Under Development **TMPM369FDXBG**
Under Development **TMPM369FYFG** Under Development **TMPM369FYXBG**



High-functionality ARM Cortex™-M3 core based microcontroller of maximum operating frequency 80MHz with USB 2.0 Host/device controller (Full speed), CAN controller, and Ethernet MAC (10/100BASE).

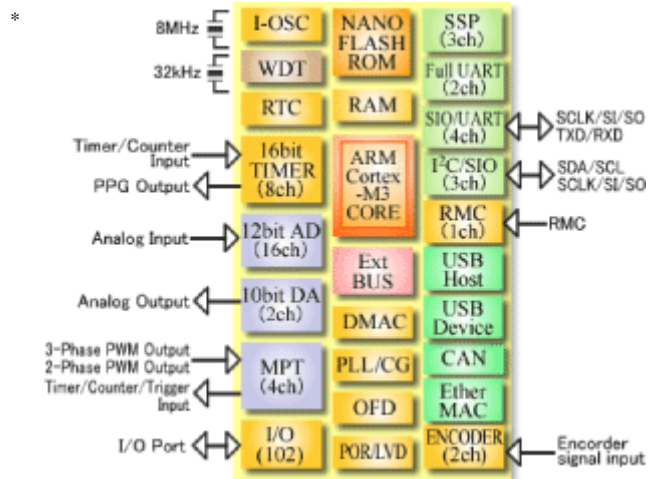
Features

ARM Cortex™-M3 CPU Core

- ▶ Operating voltage:
2.7 to 3.6V (Single supply/on-chip regulator)
* 3.0 to 3.6V when USB is used.
- ▶ Maximum Operating frequency:
80 MHz
- ▶ On-chip debug circuit:
JTAG, SWD, SWV or 4-bit trace interface
- ▶ Power saving operation
Clock gear (for dividing clock to 1/2 to 1/16)
Standby modes (IDLE, STOP1, STOP2)

Built-in Functions

- ▶ CAN controller : 1 channel
- ▶ USB Host controller (Full speed) : 1 channel
- ▶ USB device controller (Full speed) : 1 channel
- ▶ Ethernet MAC (10/100BASE) : 1 channel
- ▶ DMA controller : 2 units (32 channels each)
- ▶ 12-bit AD converter :
1- μ s conversion time (@ADCLK = 40 MHz (note1)), 2 unit ADCs (4-channels and 12-channels)
(note1: a high-speed AD conversion (0.5- μ s conversion time is possible in interleave mode)
- ▶ 10-bit DA converter : 2 channels
- ▶ 16-bit timer : 8 channels
- ▶ Multi-purpose timer (MPT) : 4 channels
 - Three-phase PWM output : 2 channels
 - IGBT control-timer output : 4 channels
- ▶ Encoder output : 2 channels
- ▶ I/O ports : 101 pins
Output ports : 1 pin
- ▶ Full UART : 2 channels
- ▶ SIO/UART : 4 channels
- ▶ I²C (100 kHz, 400 kHz)/SIO : 3 channels



Flash Memory Size

Part number	ROM (Flash)	RAM
TMPM369FDFG	512 Kbyte	128 Kbyte
TMPM369FDXBG**	512 Kbyte	128 Kbyte
TMPM369FYFG**	256 Kbyte	66 Kbyte
TMPM369FYXBG**	256 Kbyte	66 Kbyte

** : Under development

- ▶ SSP (SPI mode) : 3 channels
- ▶ RTC : 1 channel
- ▶ Remote control signal preprocessor : 1 channel
- ▶ External bus interface : 8/16-bit (Multiplex bus/Separate bus)
- ▶ On-chip oscillator (10 MHz)
- ▶ Low voltage detector (LVD)
- ▶ Oscillation frequency detector
- ▶ Power-on reset circuit

ARM and Cortex are trademarks or registered trademarks of ARM Limited in the EU and other countries.

* NANO FLASH is a trademark of Toshiba Corporation.

Package Information

FG: LQFP144 (20 × 20 mm)

XBG: TFBGA177 (11 × 11 mm)

» For further information about Toshiba microcomputers and Toshiba microcomputer development systems, please visit <http://www.semicon.toshiba.co.jp/eng/product/micro/index.html>

- Toshiba Corporation, and its subsidiaries and affiliates (collectively "TOSHIBA"), reserve the right to make changes to the information in this document, and related hardware, software and systems (collectively "Product") without notice.
- This document and any information herein may not be reproduced without prior written permission from TOSHIBA. Even with TOSHIBA's written permission, reproduction is permissible only if reproduction is without alteration/omission.
- Though TOSHIBA works continually to improve Product's quality and reliability, Product can malfunction or fail. Customers are responsible for complying with safety standards and for providing adequate designs and safeguards for their hardware, software and systems which minimize risk and avoid situations in which a malfunction or failure of Product could cause loss of human life, bodily injury or damage to property, including data loss or corruption. Before customers use the Product, create designs including the Product, or incorporate the Product into their own applications, customers must also refer to and comply with (a) the latest versions of all relevant TOSHIBA information, including without limitation, this document, the specifications, the data sheets and application notes for Product and the precautions and conditions set forth in the "TOSHIBA Semiconductor Reliability Handbook" and (b) the instructions for the application with which the Product will be used with or for. Customers are solely responsible for all aspects of their own product design or applications, including but not limited to (a) determining the appropriateness of the use of this Product in such design or applications; (b) evaluating and determining the applicability of any information contained in this document, or in charts, diagrams, programs, algorithms, sample application circuits, or any other referenced documents; and (c) validating all operating parameters for such designs and applications. **TOSHIBA ASSUMES NO LIABILITY FOR CUSTOMERS' PRODUCT DESIGN OR APPLICATIONS.**
- **PRODUCT IS NEITHER INTENDED NOR WARRANTED FOR USE IN EQUIPMENTS OR SYSTEMS THAT REQUIRE EXTRAORDINARILY HIGH LEVELS OF QUALITY AND/OR RELIABILITY, AND/OR A MALFUNCTION OR FAILURE OF WHICH MAY CAUSE LOSS OF HUMAN LIFE, BODILY INJURY, SERIOUS PROPERTY DAMAGE AND/OR SERIOUS PUBLIC IMPACT ("UNINTENDED USE").** Except for specific applications as expressly stated in this document, Unintended Use includes, without limitation, equipment used in nuclear facilities, equipment used in the aerospace industry, medical equipment, equipment used for automobiles, trains, ships and other transportation, traffic signaling equipment, equipment used to control combustions or explosions, safety devices, elevators and escalators, devices related to electric power, and equipment used in finance-related fields. **IF YOU USE PRODUCT FOR UNINTENDED USE, TOSHIBA ASSUMES NO LIABILITY FOR PRODUCT.** For details, please contact your TOSHIBA sales representative.
- Do not disassemble, analyze, reverse-engineer, alter, modify, translate or copy Product, whether in whole or in part.
- Product shall not be used for or incorporated into any products or systems whose manufacture, use, or sale is prohibited under any applicable laws or regulations.
- The information contained herein is presented only as guidance for Product use. No responsibility is assumed by TOSHIBA for any infringement of patents or any other intellectual property rights of third parties that may result from the use of Product. No license to any intellectual property right is granted by this document, whether express or implied, by estoppel or otherwise.
- **ABSENT A WRITTEN SIGNED AGREEMENT, EXCEPT AS PROVIDED IN THE RELEVANT TERMS AND CONDITIONS OF SALE FOR PRODUCT, AND TO THE MAXIMUM EXTENT ALLOWABLE BY LAW, TOSHIBA (1) ASSUMES NO LIABILITY WHATSOEVER, INCLUDING WITHOUT LIMITATION, INDIRECT, CONSEQUENTIAL, SPECIAL, OR INCIDENTAL DAMAGES OR LOSS, INCLUDING WITHOUT LIMITATION, LOSS OF PROFITS, LOSS OF OPPORTUNITIES, BUSINESS INTERRUPTION AND LOSS OF DATA, AND (2) DISCLAIMS ANY AND ALL EXPRESS OR IMPLIED WARRANTIES AND CONDITIONS RELATED TO SALE, USE OF PRODUCT, OR INFORMATION, INCLUDING WARRANTIES OR CONDITIONS OF MERCHANTABILITY, FITNESS FOR A PARTICULAR PURPOSE, ACCURACY OF INFORMATION, OR NON-INFRINGEMENT.**
- Do not use or otherwise make available Product or related software or technology for any military purposes, including without limitation, for the design, development, use, stockpiling or manufacturing of nuclear, chemical, or biological weapons or missile technology products (mass destruction weapons). Product and related software and technology may be controlled under the applicable export laws and regulations including, without limitation, the Japanese Foreign Exchange and Foreign Trade Law and the U.S. Export Administration Regulations. Export and re-export of Product or related software or technology are strictly prohibited except in compliance with all applicable export laws and regulations.
- Please contact your TOSHIBA sales representative for details as to environmental matters such as the RoHS compatibility of Product. Please use Product in compliance with all applicable laws and regulations that regulate the inclusion or use of controlled substances, including without limitation, the EU RoHS Directive. **TOSHIBA ASSUMES NO LIABILITY FOR DAMAGES OR LOSSES OCCURRING AS A RESULT OF NONCOMPLIANCE WITH APPLICABLE LAWS AND REGULATIONS.**

TOSHIBA

TOSHIBA CORPORATION

Semiconductor & Storage Products Company

<http://www.semicon.toshiba.co.jp/eng/>

Copyright © 1995-2012 TOSHIBA CORPORATION, All Rights Reserved.