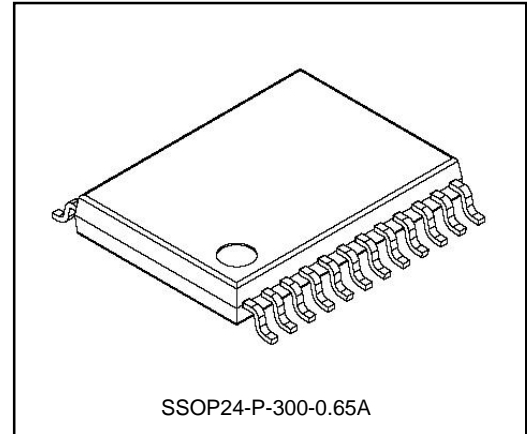


TOSHIBA Bi-CMOS Integrated Circuit Silicon Monolithic

TB9061FNG

3-Phase Sensorless Brushless Motor Pre-driver

The TB9061FNG is an automotive pre-driver IC that incorporates a sensorless controller for driving a 3-phase full-wave brushless DC motor.



Weight: 0.14 g (typ.)

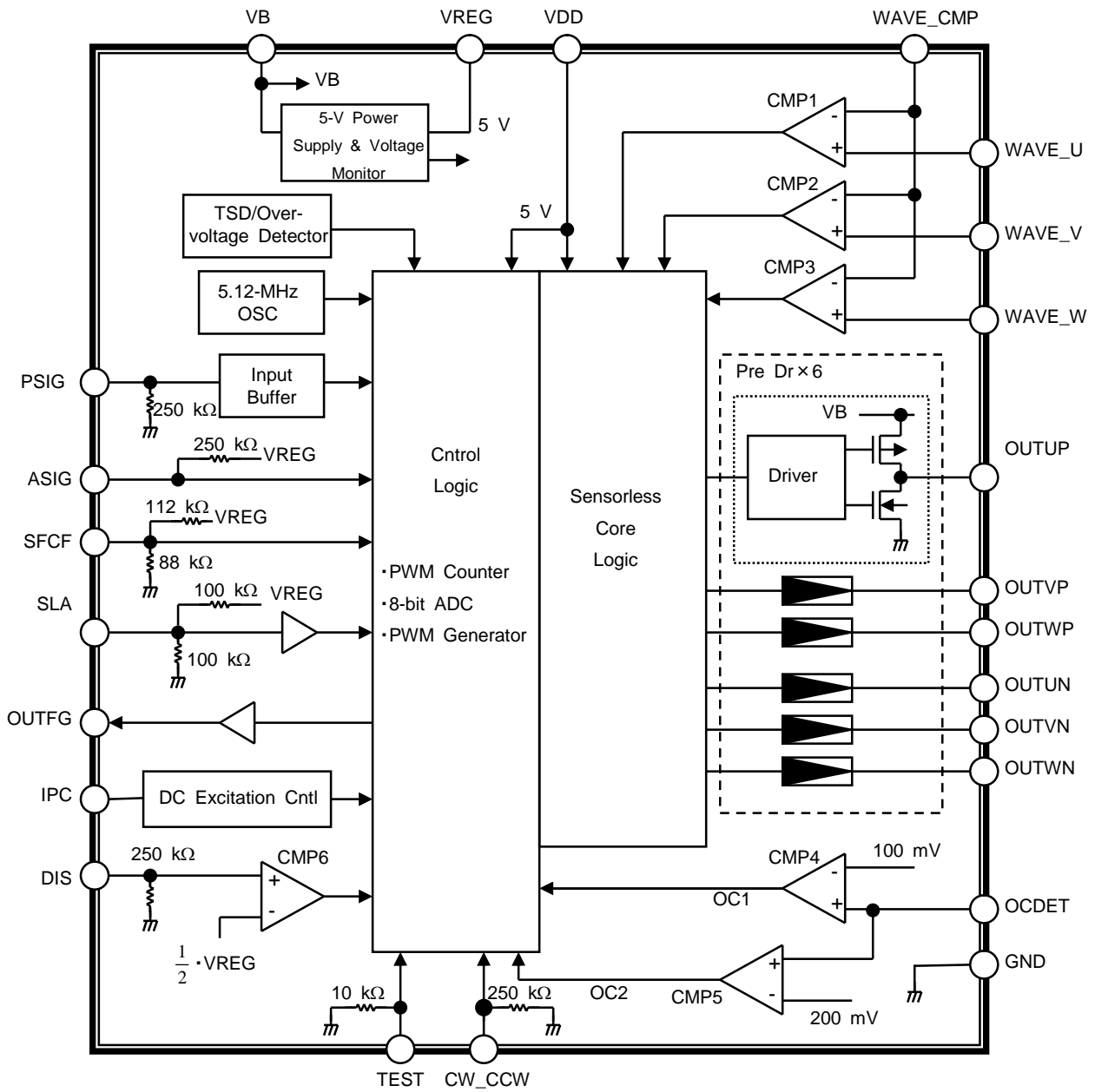
Feature

- 3-phase full-wave sensorless drive
- PWM chopper drive
- Outputs for external P-ch/N-ch MOSFETs drive (3-phase 6 outputs)
- Suited for both PWM input and DC input control
- Rotating Direction: CW/CCW
- PWM control on lower driver outputs (external N-ch MOSFETs)
- Built-in 8-bit AD converter
- Built-in 3-ch comparators to detect induced voltage (Independent 3-phase inputs)
- Built-in overcurrent detector: Detect two values (Current limiter/Overcurrent detection)
- Built-in loss-of-synchronism detection and automatic restart control
- 5.12-MHz oscillator for reference clock
- Built-in 5-V constant voltage circuit
- Operating temperature range: -40 to 125 °C
- Mini flat package: SSOP-24pin(pin pitch:0.65 mm)
- The product(s) is/are compatible with RoHS regulations (EU directive 2002 / 95 / EC) as indicated, if any, on the packaging label ("[[G]]/RoHS COMPATIBLE", "[[[G]]/RoHS [[Chemical symbol(s) of controlled substance(s)]]]", "RoHS COMPATIBLE" or "RoHS COMPATIBLE, [[Chemical symbol(s) of controlled substance(s)]]>MCV").

About solderability, following conditions were confirmed

- Solderability
 - (1)Use of Sn-37Pb solder Bath
 - solder bath temperature=230°C
 - dipping time=5seconds
 - the number of times=once
 - use of R-type flux
 - (2)Use of Sn-3.0Ag-0.5Cu solder Bath
 - solder bath temperature=245°C
 - dipping time=5seconds
 - the number of times=once
 - use of R-type flux

Block Diagram

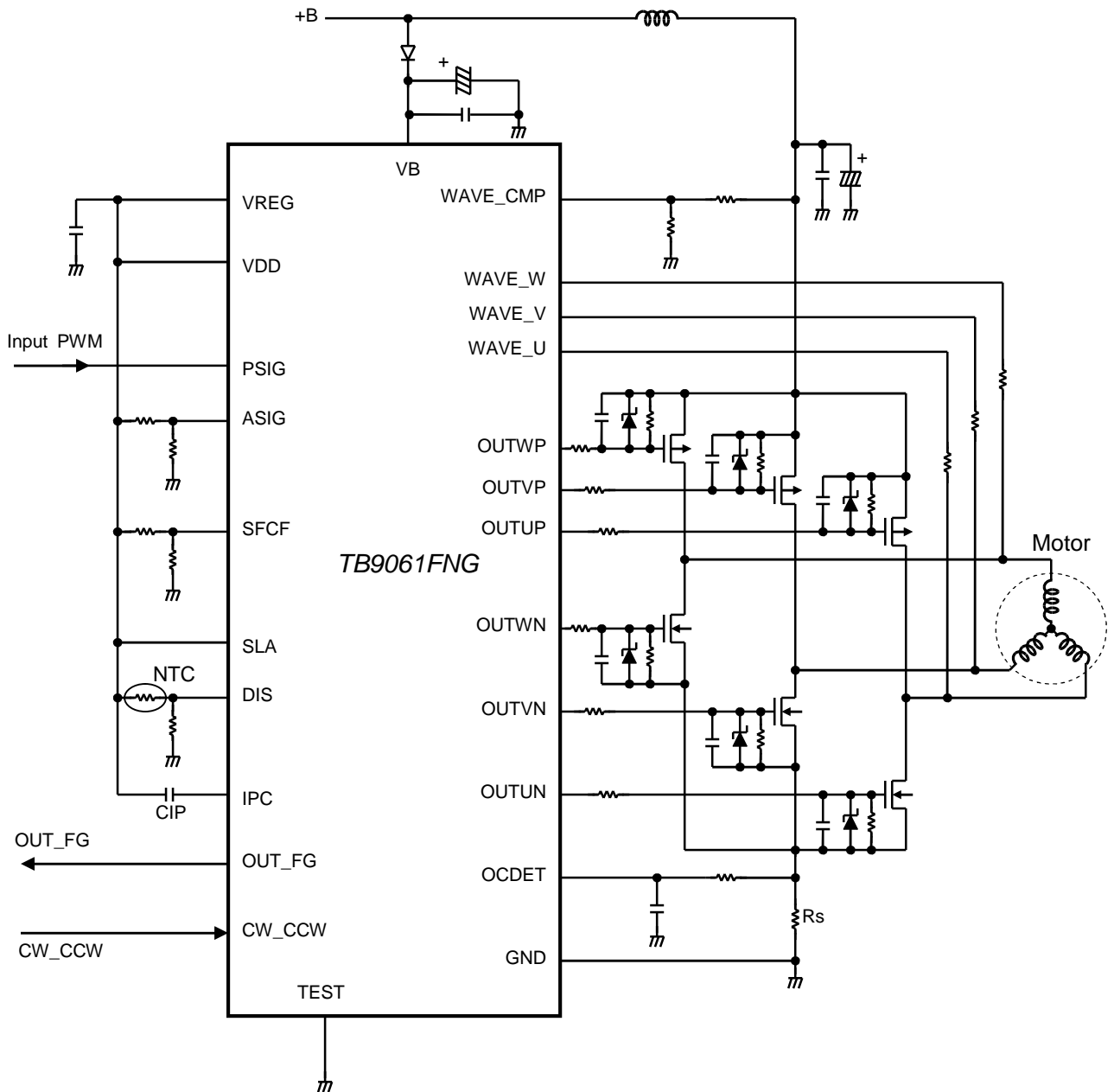


Note: Some of the functional blocks, circuits, or constants in the block diagram are omitted or simplified to clarify the descriptions of the relevant features.

Application Examples

Example of the entire PWM input control circuit

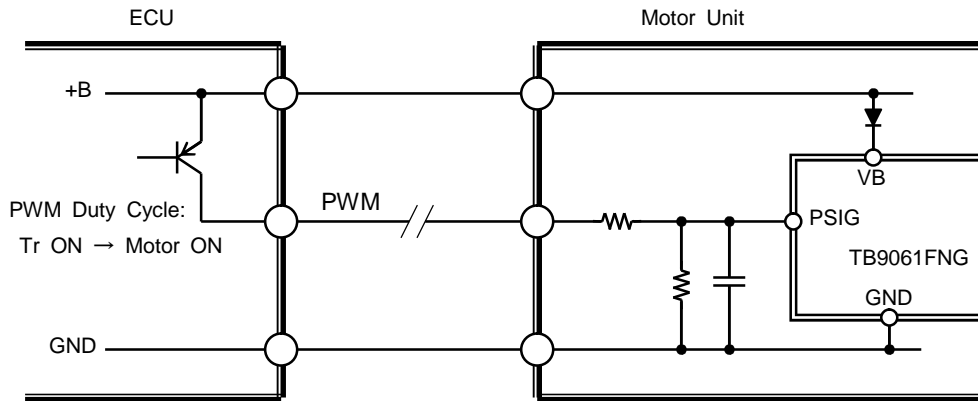
- Output PWM duty cycle: Determined by the PSIG PWM duty cycle
- Lead angle: 15°
- With DC excitation control



Application examples

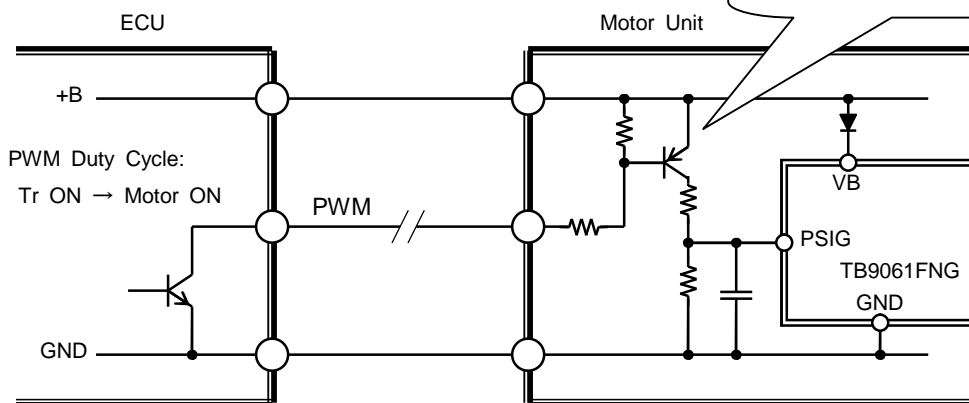
PWM input circuit example 1

When the input PWM signal is active-High



PWM input circuit example 2

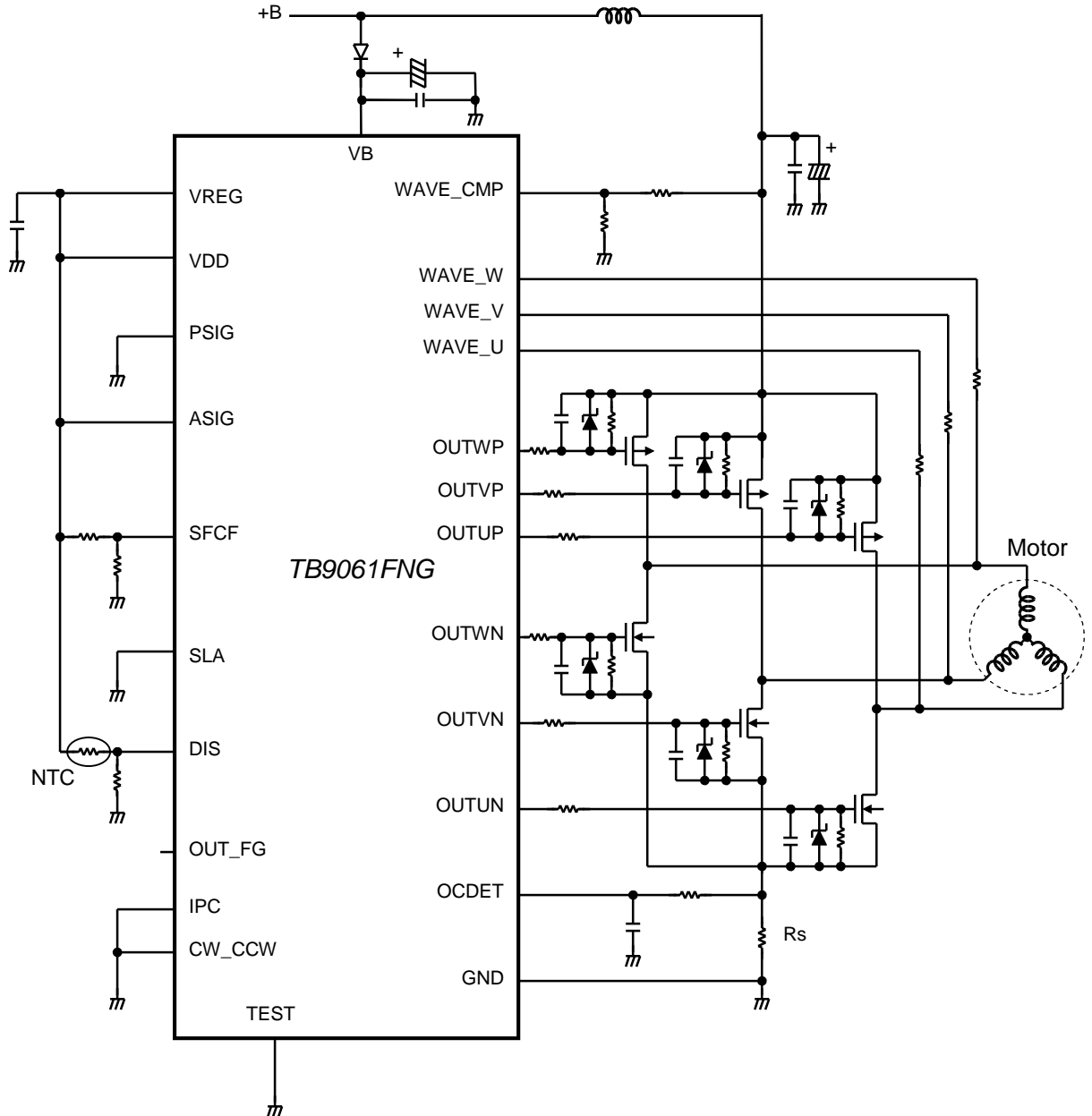
When the input PWM signal is active-Low



Application Examples

Circuit example with fixed PWM duty cycle (for high-speed rotation)

- Output PWM duty cycle: Determined by the ASIG rate (100%)
- Lead angle: 7.5°
- Without DC excitation control
- Fixed to CW mode

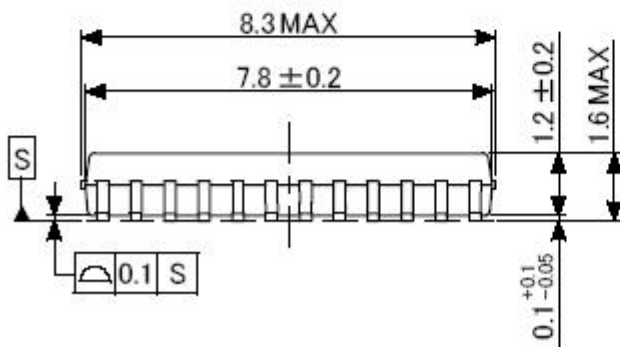
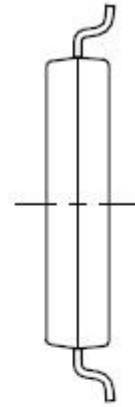
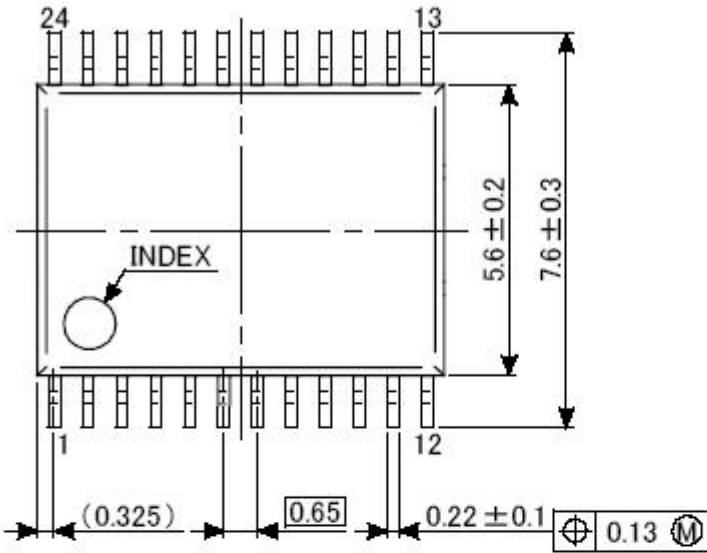


Notes

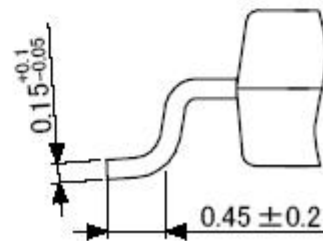
- Note 1: Some of the functional blocks, circuits, or constants in the block diagram may be omitted or simplified for explanatory purposes.
- Note 2: The equivalent circuit diagrams may be simplified or some parts of them may be omitted for explanatory purposes.
- Note 3: Timing charts may be simplified for explanatory purposes..
- Note 4: Ensure that the IC is mounted correctly as specified. Failing to observe the correct mounting procedure or requirements may damage the IC or target equipment.
- Note 5: The application circuits shown in this document are provided for reference purposes only. Thorough evaluation is required, especially at the mass production design stage. Toshiba does not grant any license to any industrial property rights by providing these examples of application circuits.

Package Dimensions

Unit:mm



Lead edge dimension



Weight: 0.14 g (typ.)

RESTRICTIONS ON PRODUCT USE

- Toshiba Corporation, and its subsidiaries and affiliates (collectively "TOSHIBA"), reserve the right to make changes to the information in this document, and related hardware, software and systems (collectively "Product") without notice.
- This document and any information herein may not be reproduced without prior written permission from TOSHIBA. Even with TOSHIBA's written permission, reproduction is permissible only if reproduction is without alteration/omission.
- Though TOSHIBA works continually to improve Product's quality and reliability, Product can malfunction or fail. Customers are responsible for complying with safety standards and for providing adequate designs and safeguards for their hardware, software and systems which minimize risk and avoid situations in which a malfunction or failure of Product could cause loss of human life, bodily injury or damage to property, including data loss or corruption. Before customers use the Product, create designs including the Product, or incorporate the Product into their own applications, customers must also refer to and comply with (a) the latest versions of all relevant TOSHIBA information, including without limitation, this document, the specifications, the data sheets and application notes for Product and the precautions and conditions set forth in the "TOSHIBA Semiconductor Reliability Handbook" and (b) the instructions for the application with which the Product will be used with or for. Customers are solely responsible for all aspects of their own product design or applications, including but not limited to (a) determining the appropriateness of the use of this Product in such design or applications; (b) evaluating and determining the applicability of any information contained in this document, or in charts, diagrams, programs, algorithms, sample application circuits, or any other referenced documents; and (c) validating all operating parameters for such designs and applications.
TOSHIBA ASSUMES NO LIABILITY FOR CUSTOMERS' PRODUCT DESIGN OR APPLICATIONS.
- Product is intended for use in general electronics applications (e.g., computers, personal equipment, office equipment, measuring equipment, industrial robots and home electronics appliances) or for specific applications as expressly stated in this document. Product is neither intended nor warranted for use in equipment or systems that require extraordinarily high levels of quality and/or reliability and/or a malfunction or failure of which may cause loss of human life, bodily injury, serious property damage or serious public impact ("Unintended Use"). Unintended Use includes, without limitation, equipment used in nuclear facilities, equipment used in the aerospace industry, medical equipment, equipment used for automobiles, trains, ships and other transportation, traffic signaling equipment, equipment used to control combustions or explosions, safety devices, elevators and escalators, devices related to electric power, and equipment used in finance-related fields. Do not use Product for Unintended Use unless specifically permitted in this document.
- Do not disassemble, analyze, reverse-engineer, alter, modify, translate or copy Product, whether in whole or in part.
- Product shall not be used for or incorporated into any products or systems whose manufacture, use, or sale is prohibited under any applicable laws or regulations.
- The information contained herein is presented only as guidance for Product use. No responsibility is assumed by TOSHIBA for any infringement of patents or any other intellectual property rights of third parties that may result from the use of Product. No license to any intellectual property right is granted by this document, whether express or implied, by estoppel or otherwise.
- **ABSENT A WRITTEN SIGNED AGREEMENT, EXCEPT AS PROVIDED IN THE RELEVANT TERMS AND CONDITIONS OF SALE FOR PRODUCT, AND TO THE MAXIMUM EXTENT ALLOWABLE BY LAW, TOSHIBA (1) ASSUMES NO LIABILITY WHATSOEVER, INCLUDING WITHOUT LIMITATION, INDIRECT, CONSEQUENTIAL, SPECIAL, OR INCIDENTAL DAMAGES OR LOSS, INCLUDING WITHOUT LIMITATION, LOSS OF PROFITS, LOSS OF OPPORTUNITIES, BUSINESS INTERRUPTION AND LOSS OF DATA, AND (2) DISCLAIMS ANY AND ALL EXPRESS OR IMPLIED WARRANTIES AND CONDITIONS RELATED TO SALE, USE OF PRODUCT, OR INFORMATION, INCLUDING WARRANTIES OR CONDITIONS OF MERCHANTABILITY, FITNESS FOR A PARTICULAR PURPOSE, ACCURACY OF INFORMATION, OR NONINFRINGEMENT.**
- Do not use or otherwise make available Product or related software or technology for any military purposes, including without limitation, for the design, development, use, stockpiling or manufacturing of nuclear, chemical, or biological weapons or missile technology products (mass destruction weapons). Product and related software and technology may be controlled under the Japanese Foreign Exchange and Foreign Trade Law and the U.S. Export Administration Regulations. Export and re-export of Product or related software or technology are strictly prohibited except in compliance with all applicable export laws and regulations.
- Please contact your TOSHIBA sales representative for details as to environmental matters such as the RoHS compatibility of Product. Please use Product in compliance with all applicable laws and regulations that regulate the inclusion or use of controlled substances, including without limitation, the EU RoHS Directive. TOSHIBA assumes no liability for damages or losses occurring as a result of noncompliance with applicable laws and regulations.