

Power MOSFET Structure and Characteristics

Description

This document explains structures and characteristics of power MOSFETs.

Table of Contents

Description.....	1
Table of Contents.....	2
1. Structures and Characteristics.....	3
1.1. Structures of Power MOSFETs.....	3
1.2. Characteristics of Power MOSFETs.....	4
RESTRICTIONS ON PRODUCT USE.....	6

1. Structures and Characteristics

Since Power MOSFETs operate principally as majority-carrier devices, they are not affected by minority carriers. This is in contrast to the situation with minority-carrier devices such as bipolar transistors where such effects create more serious design problems. Also, the input impedance of power MOSFETs is basically higher than that of junction FETs.

Even though power MOSFETs excel in speed, in the beginning of their development, it was thought that achieving low on-state resistance, high breakdown voltage and high power would be difficult. In recent years, however, we have witnessed major improvement in the performance of power MOSFETs with the prevalence of a planar gate double diffusion structure, followed by trench gate and superjunction (SJ) structures. Power MOSFETs with these new structures deliver higher speed, lower on-state resistance, and higher breakdown voltage. Today, power MOSFETs are widely used as switching devices in commercial, industrial, automotive and other applications.

1.1. Structures of Power MOSFETs

Power MOSFETs can be broadly categorized according to their gate and drift structures. Figure 1.1 illustrates the three common structures currently used.

Figure 1.1 (a) shows a double diffusion MOS (D-MOS) structure.

For the fabrication of D-MOS devices, channels are formed in a double diffusion process that provides high withstand voltage. The D-MOS process is well suited to increasing device density, making it possible to realize high performance power MOSFETs with low on-state resistance and low power loss.

Figure 1.1 (b) shows a trench gate structure.

The trench-gate process forms a vertical gate channel in the shape of a U groove in order to increase device density and thereby further reduce on-state resistance. The trench gate structure is employed to fabricate power MOSFETs with relatively low voltage.

Figure 1.1 (c) shows a superjunction (SJ) structure.

This structure has a drift region that consists of alternating p- and n-type semiconductor layers. This process overcomes the inherent limitations of the vertical silicon process used with conventional power MOSFETs and delivers extremely low on-state resistance.

Compared to conventional power MOSFETs, the superjunction process provides significant improvement in the trade-off between V_{DSS} (maximum drain-source voltage) and $R_{on} \cdot A$ (normalized on-state resistance per specific area), and therefore helps to considerably reduce conduction loss.

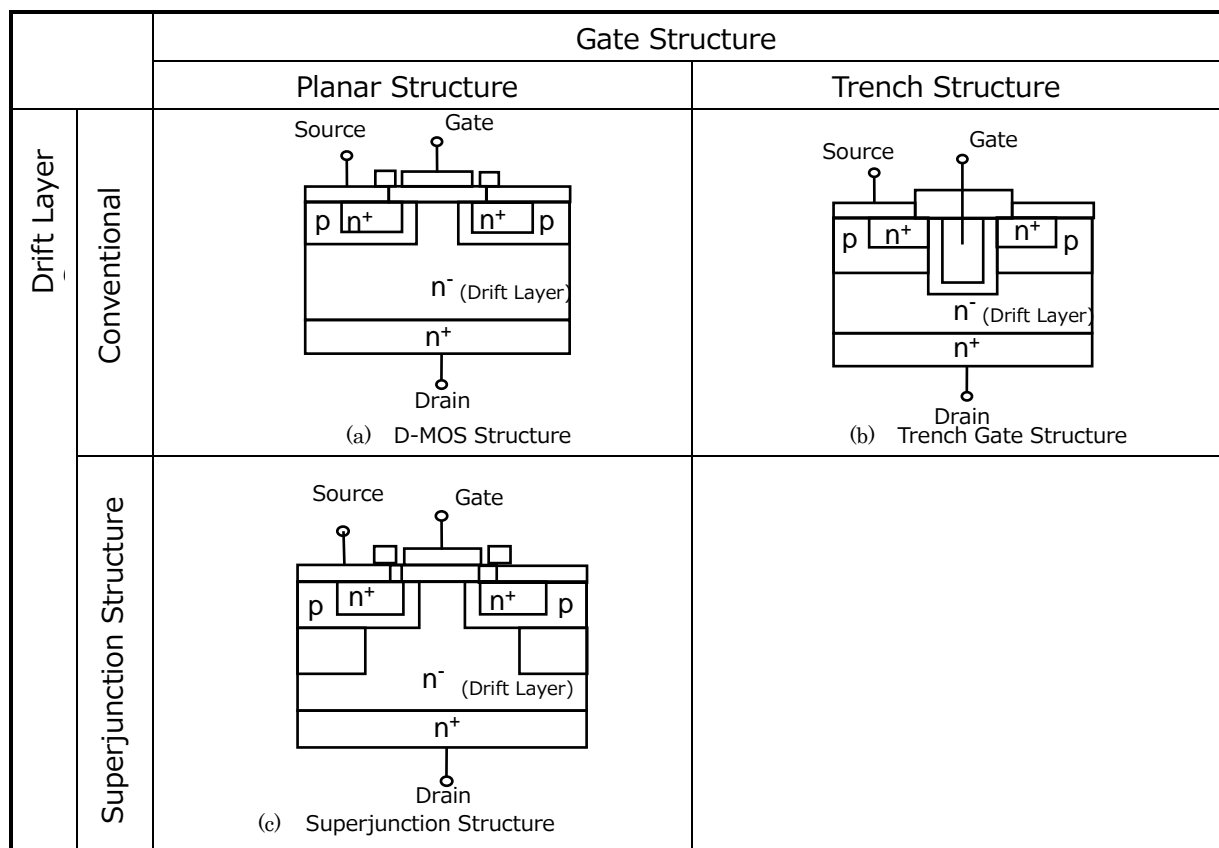


Figure 1.1 Power MOSFET Structures

Table 1.1 Comparison of Power MOSFETs

Toshiba Product Series	High Voltage	Low On-State Resistance	High Current	High Speed
π -MOS (DMOS)	Excellent (up to 900 V)	Moderate	Moderate	Good
U-MOS (Trench-gate MOS)	Good (up to 250 V)	Excellent	Excellent	Good
DTMOS (SJ-MOS)	Excellent (500 V or higher)	Excellent	Excellent	Excellent

1.2. Characteristics of Power MOSFETs

The general characteristics of power MOSFETs are listed below.

- (1) Basically, MOSFETs are majority-carrier devices and operationally different from bipolar transistors that are minority-carrier devices.
- (2) While bipolar transistors are current-controlled devices, MOSFETs are voltage-controlled devices that are controlled by gate-source voltage.
- (3) Since MOSFETs are majority-carrier devices, they do not suffer delay due to the carrier storage effect, making high frequency switching possible.
- (4) In bipolar transistors, current concentrates in the high voltage region, making them vulnerable to junction destruction due to secondary breakdown. Operating conditions are de-rated as necessary to prevent junction destruction. In contrast, power MOSFETs are much more immune to secondary breakdown and therefore more rugged. However, the electrical characteristics of recent MOSFET devices should be carefully examined as some of them are vulnerable to secondary breakdown.
- (5) Since power MOSFETs have a positive temperature coefficient of on-state resistance, $R_{DS(ON)}$ at high temperatures should be considered during thermal design.

Table 1.2 compares bipolar power transistors and power MOSFETs.

Table 1.2 Comparison of Bipolar Power Transistors and Power MOSFETs

	Bipolar Power Transistor	Power MOSFET
Drive circuit	Drive conditions are difficult to determine because switching time varies with drive current conditions. Also, the drive circuit suffers high power loss.	The drive circuit for the voltage control of a power MOSFETs is simpler and offers lower power loss than that of a bipolar resistor.
Switching time	Due their structure, bipolar transistors have a storage time t_{stg} and therefore a longer switching time than MOSFETs.	Power MOSFETs are much faster than bipolar power transistors. Power MOSFETs have no storage time and are less affected by temperature.
Safe operating area (SOA)	Restricted due to the risk of secondary breakdown.	Restricted mainly by power dissipation (equal power lines).
Breakdown voltage (Collector-emitter, drain-source)	Bipolar power transistors are often used with a reverse current between the base and emitter. Sometimes, both V_{CES} and V_{CEX} (V_{CBO}) are rated.	The withstand voltage is limited by V_{DSS} except for trench MOSFETs operating in a reverse gate bias condition (during which the withstand voltage is restricted by V_{DSX}).
On-state voltage	Even high voltage bipolar power transistors have very low on-state voltage and generally have a negative temperature coefficient.	Low-voltage power MOSFETs have an extremely low on-state voltage. High voltage devices have a slightly higher on-state voltage. Power MOSFETs have a positive temperature coefficient, which is beneficial in connecting multiple devices in parallel.
Parallel connection	It is necessary, but difficult, to equalize the current flowing through multiple transistors connected in parallel.	Multiple power MOSFETs can be connected in parallel, but it requires a bit of attention to prevent oscillation and match the switching times of the parallel devices.
Temperature stability	A certain amount of care is required because an increase in temperature causes h_{FE} to increase and V_{BE} to decrease.	Various characteristics exhibit outstanding temperature stability.

RESTRICTIONS ON PRODUCT USE

Toshiba Corporation and its subsidiaries and affiliates are collectively referred to as "TOSHIBA". Hardware, software and systems described in this document are collectively referred to as "Product".

- TOSHIBA reserves the right to make changes to the information in this document and related Product without notice.
- This document and any information herein may not be reproduced without prior written permission from TOSHIBA. Even with TOSHIBA's written permission, reproduction is permissible only if reproduction is without alteration/omission.
- Though TOSHIBA works continually to improve Product's quality and reliability, Product can malfunction or fail. Customers are responsible for complying with safety standards and for providing adequate designs and safeguards for their hardware, software and systems which minimize risk and avoid situations in which a malfunction or failure of Product could cause loss of human life, bodily injury or damage to property, including data loss or corruption. Before customers use the Product, create designs including the Product, or incorporate the Product into their own applications, customers must also refer to and comply with (a) the latest versions of all relevant TOSHIBA information, including without limitation, this document, the specifications, the data sheets and application notes for Product and the precautions and conditions set forth in the "TOSHIBA Semiconductor Reliability Handbook" and (b) the instructions for the application with which the Product will be used with or for. Customers are solely responsible for all aspects of their own product design or applications, including but not limited to (a) determining the appropriateness of the use of this Product in such design or applications; (b) evaluating and determining the applicability of any information contained in this document, or in charts, diagrams, programs, algorithms, sample application circuits, or any other referenced documents; and (c) validating all operating parameters for such designs and applications. **TOSHIBA ASSUMES NO LIABILITY FOR CUSTOMERS' PRODUCT DESIGN OR APPLICATIONS.**
- **PRODUCT IS NEITHER INTENDED NOR WARRANTED FOR USE IN EQUIPMENTS OR SYSTEMS THAT REQUIRE EXTRAORDINARILY HIGH LEVELS OF QUALITY AND/OR RELIABILITY, AND/OR A MALFUNCTION OR FAILURE OF WHICH MAY CAUSE LOSS OF HUMAN LIFE, BODILY INJURY, SERIOUS PROPERTY DAMAGE AND/OR SERIOUS PUBLIC IMPACT ("UNINTENDED USE").** Except for specific applications as expressly stated in this document, Unintended Use includes, without limitation, equipment used in nuclear facilities, equipment used in the aerospace industry, medical equipment, equipment used for automobiles, trains, ships and other transportation, traffic signaling equipment, equipment used to control combustions or explosions, safety devices, elevators and escalators, devices related to electric power, and equipment used in finance-related fields. **IF YOU USE PRODUCT FOR UNINTENDED USE, TOSHIBA ASSUMES NO LIABILITY FOR PRODUCT.** For details, please contact your TOSHIBA sales representative.
- Do not disassemble, analyze, reverse-engineer, alter, modify, translate or copy Product, whether in whole or in part.
- Product shall not be used for or incorporated into any products or systems whose manufacture, use, or sale is prohibited under any applicable laws or regulations.
- The information contained herein is presented only as guidance for Product use. No responsibility is assumed by TOSHIBA for any infringement of patents or any other intellectual property rights of third parties that may result from the use of Product. No license to any intellectual property right is granted by this document, whether express or implied, by estoppel or otherwise.
- **ABSENT A WRITTEN SIGNED AGREEMENT, EXCEPT AS PROVIDED IN THE RELEVANT TERMS AND CONDITIONS OF SALE FOR PRODUCT, AND TO THE MAXIMUM EXTENT ALLOWABLE BY LAW, TOSHIBA (1) ASSUMES NO LIABILITY WHATSOEVER, INCLUDING WITHOUT LIMITATION, INDIRECT, CONSEQUENTIAL, SPECIAL, OR INCIDENTAL DAMAGES OR LOSS, INCLUDING WITHOUT LIMITATION, LOSS OF PROFITS, LOSS OF OPPORTUNITIES, BUSINESS INTERRUPTION AND LOSS OF DATA, AND (2) DISCLAIMS ANY AND ALL EXPRESS OR IMPLIED WARRANTIES AND CONDITIONS RELATED TO SALE, USE OF PRODUCT, OR INFORMATION, INCLUDING WARRANTIES OR CONDITIONS OF MERCHANTABILITY, FITNESS FOR A PARTICULAR PURPOSE, ACCURACY OF INFORMATION, OR NONINFRINGEMENT.**
- Do not use or otherwise make available Product or related software or technology for any military purposes, including without limitation, for the design, development, use, stockpiling or manufacturing of nuclear, chemical, or biological weapons or missile technology products (mass destruction weapons). Product and related software and technology may be controlled under the applicable export laws and regulations including, without limitation, the Japanese Foreign Exchange and Foreign Trade Law and the U.S. Export Administration Regulations. Export and re-export of Product or related software or technology are strictly prohibited except in compliance with all applicable export laws and regulations.
- Please contact your TOSHIBA sales representative for details as to environmental matters such as the RoHS compatibility of Product. Please use Product in compliance with all applicable laws and regulations that regulate the inclusion or use of controlled substances, including without limitation, the EU RoHS Directive. **TOSHIBA ASSUMES NO LIABILITY FOR DAMAGES OR LOSSES OCCURRING AS A RESULT OF NONCOMPLIANCE WITH APPLICABLE LAWS AND REGULATIONS.**