

## MOSFET SPICE model grade

### Overview

This section presents the grades of MOSFET SPICE models we provide, and compares the calculated results of these models with the characteristic curves of the data sheet. Referring to this application note, please select the most suitable model grade for the simulation environment and purpose.

## Table of contents

Overview.....	1
1. Introduction.....	4
2. Definition of model name and model grade .....	4
2.1. Model name .....	4
2.2. Encryption.....	4
2.3. Definition of model grades G0 , G1 and G2 .....	5
3. Fitting accuracy (RMS error).....	6
4. Fitting accuracy comparison of G0 and G2 model in U-MOS series .....	7
4.1 $I_D$ - $V_{DS}$ curve (TPH5R60APL).....	7
4.2 Parasitic capacitance curve (TPH5R60APL) .....	8
4.3 Switching Analysis (TPH1R306PL).....	9
5. Fitting accuracy comparison of G0 and G2 model in DTMOS series .....	11
5.1 $I_D$ - $V_{DS}$ curve (TK040N65Z).....	11
5.2 Parasitic capacitance curve (TK040N65Z) .....	12
5.3 Switching Analysis (TK040N65Z) .....	13
RESTRICTIONS ON PRODUCT USE .....	15

**List of Figures**

Figure 3-1 RMS error expression used when creating a Web published device model.....	6
Figure 4-1 $I_D$ - $V_{DS}$ Characteristics curve simulated by G0 and G2 models and data sheet.....	7
Figure 4-2 Parasitic capacitance characteristics simulated by G0 and G2 models and data sheet .....	8
Figure 4-3 Resistive load switching circuit.....	9
Figure 4-4 Simulation and actual measurement comparison of resistive load circuit switching waveforms.....	14
Figure 5-1 $I_D$ - $V_{DS}$ Characteristics curve simulated by G0 and G2 models and data sheet.....	11
Figure 5-2 Parasitic capacitance characteristics simulated by G0 and G2 models and data sheet.....	12
Figure 5-3 Inductive Load Switching Circuit .....	13
Figure 5-4 Simulation and actual measurement comparison of inductive load circuit switching waveforms .....	14

**List of Tables**

Table2-1 The model grade with or without encryption by simulation.....	4
Table 2-2 Model Grade and Characteristic Curve Reproducibility .....	5

## 1. Introduction

In recent years, simulation has become important to reduce the development lead time and circuit design. Simulations include electric circuit simulations, thermal simulations and mechanical stress simulations. In electric circuit simulations, we are promoting the publication of SPICE models of PSpice<sup>®</sup> and LTspice<sup>®</sup> on the Web (<https://toshiba.semicon-storage.com/jp/design-support/simulation.html>).

Although the actual circuit evaluation may not always be able to grasp the voltage, current and various characteristics inside the circuit, the ideal operation can be verified by the electric circuit simulation with SPICE model without taking into account the effect of the measuring equipment etc. So, the accuracy of SPICE is important.

We are preparing SPICE model (G0 model) which emphasizes computational speed rather than accuracy, and we have also begun providing a high accurate SPICE model (G1 and G2 model) which can reproduce transient characteristics more accurately. The G2 model can simulate closer to actual measurement, and it can reproduce  $I_D$ - $V_{DS}$  characteristic on high current condition more accurately. This application note defines the G0, G1 and G2 models, and compares the behavior of actual devices and simulation models using the low voltage MOSFET (U-MOS series) and medium high voltage MOSFET (DTMOS series).

## 2. Definition of model name and model grade

### 2.1. Model name

SPICE models are provided with the grade name. The file name configuration is shown below. Each model grade is listed behind the product name.

**TPH1R204PL \_ G2 \_ 01 \_ PSpice \_ rev1 \_ enc . lib**

Product name      Grade name      Additional number      Simulator name      Control No.      Encryption      extension

### 2.2. Encryption

Some of the SPICE models we provide are encrypted according to the Simulator, and the one with “enc” in the model name is the encryption model. It is possible to check the Simulator in the model name and the presence or absence of encryption.

**Table2-1 The model grade with or without encryption by simulation**

SPICE Model grades	PSpice	LTspice	SIMetrix
G0	Unencrypted	Encrypted	Encrypted
G1	Encrypted	Encrypted	Encrypted
G2	Encrypted	Encrypted	Encrypted

## 2.3. Definition of model grades G0, G1 and G2

Table 2-2 shows the reproducibility of the characteristic curve by the grade. The percentage in the table indicate the RMS error (Root Mean Square) that is currently used as the criteria for modeling. The higher the grade, the higher the fitting accuracy to the characteristic curve, which allows more accurate simulations. On the other hand, we recommend that you select the suitable model grade for your simulation environment and purpose because there is a trade-off relationship between fitting accuracy and convergence and time of calculations.

**Table 2-2 Model Grade and Characteristic Curve Reproducibility**

SPICE Model grades	$I_D-V_{DS}$	$C_{rss}-V_{DS}$	$C_{oss}-V_{DS}$	$C_{iss}-V_{DS}$
G0 (RMS error criterion)	✓ (15% or less)	× (Not applicable)	× (Not applicable)	× (Not applicable)
G1 (RMS error criterion)	✓ (15% or less)	✓ (2% or less)	✓ (2% or less)	✓ (2% or less)
G2 (RMS error criterion)	✓ (5% or less)	✓ (2% or less)	✓ (2% or less)	✓ (2% or less)

- ① G0  
It is a standard device model based on BSIM3 and is a model with short calculation speed and suitable for function checking.
- ② G1  
Compared with the G0 model, this model enhances the voltage dependent characteristics of the parasitic capacitance, enabling highly accurate switching simulations that are closer to actual measurements.
- ③ G2  
Compared with the G0 model, this model enhances the reproducibility on the higher current condition characteristics of  $I_D-V_{DS}$  curve and the voltage dependent characteristics of the parasitic capacitance, enabling highly accurate switching simulations that are closer to actual measurements.

### 3. Fitting accuracy (RMS error)

The fitting accuracy of SPICE model can be quantified by RMS error. For MOSFETs, this RMS error is used when determining the accuracy of the created SPICE model, and the difference from the actual measurement is quantified and we use them as the criteria. Figure 3-1 shows the RMS-error formula used in creating the MOSFET SPICE models we provide.

Chapters 4 and 5 show examples of low voltage MOSFET (U-MOS series) and medium high voltage MOSFET (DTMOS series).

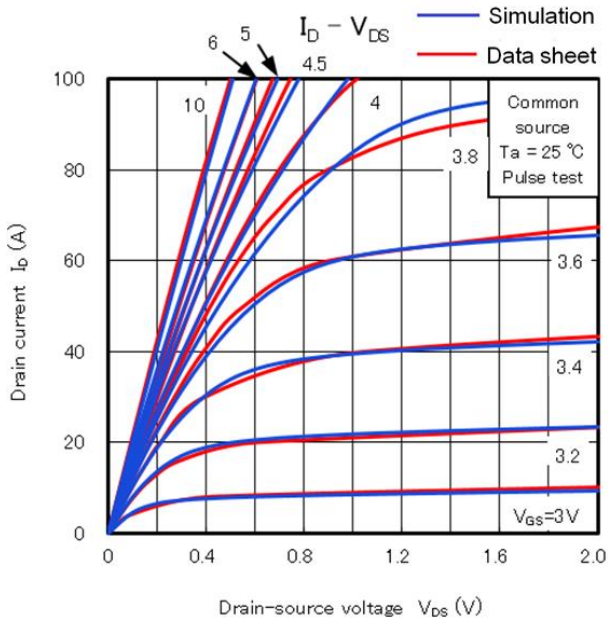
$$\sqrt{\frac{\sum_{j=1}^N (sim_j - meas_j)^2}{\sum_{j=1}^N (meas_j)^2 / N}} \quad \begin{array}{l} sim_j : \text{Simulation value} \\ meas_j : \text{Measured value} \end{array}$$

Figure 3-1 RMS error expression used when creating a Web published device model

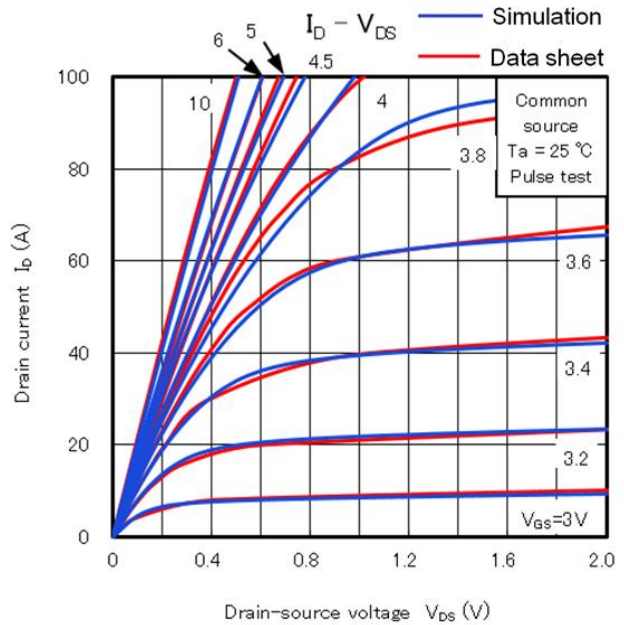
## 4. Fitting accuracy comparison of G0 and G2 model in U-MOS series

### 4.1 $I_D$ - $V_{DS}$ curve (TPH5R60APL)

U-MOS Series is a MOSFET Series with a trench gate structure with 12V to 300V withstand voltage. Fig. 4-1 shows a fitting curve sample for  $I_D$ - $V_{DS}$ . The slope of  $I_D$  from low  $V_{GS}$  to high  $V_{GS}$  can be simulated, and good fitting accuracy is achieved with 2.43% RMS failure for both the G0 and G2 models.



G0 model (RMS error: 2.43%)

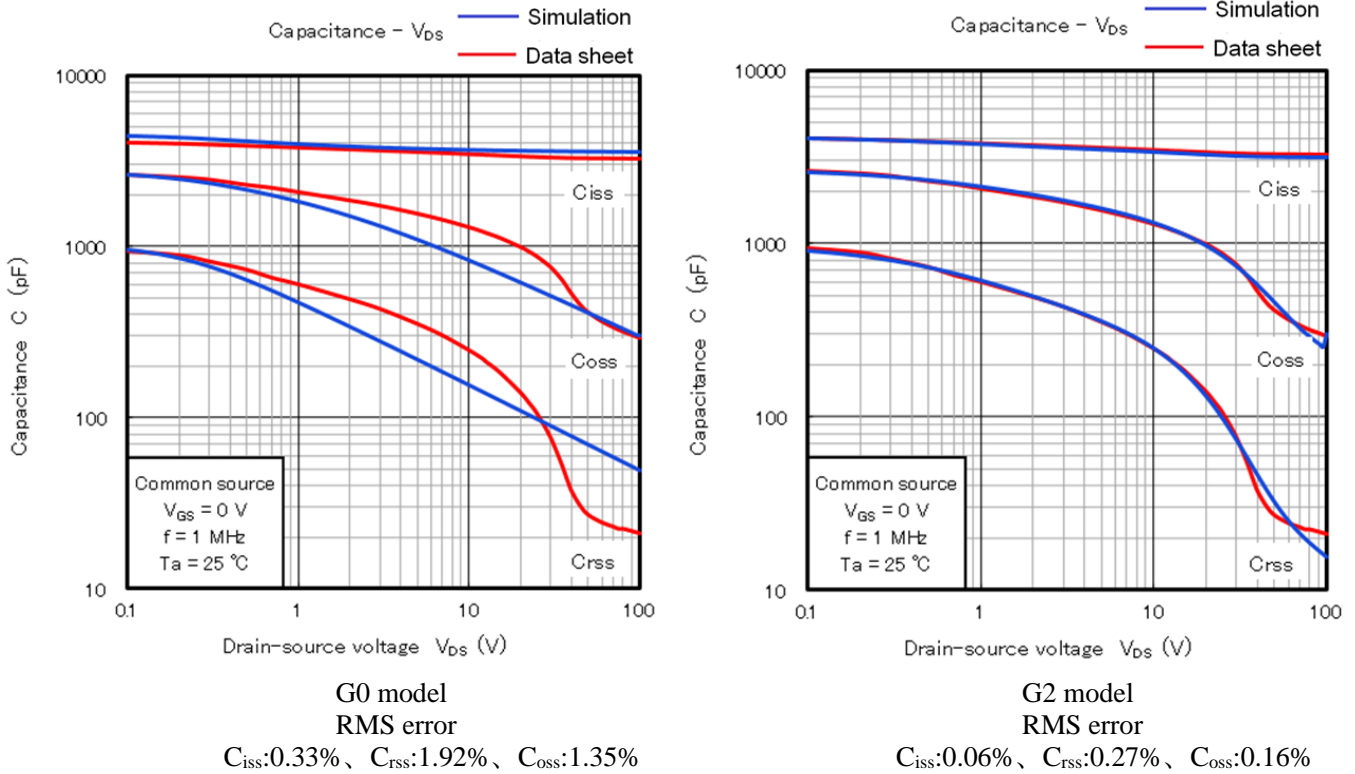


G2 model (RMS error: 2.43%)

Figure 4-1  $I_D$ - $V_{DS}$  Characteristics curve simulated by G0 and G2 models and data sheet

**4.2 Parasitic capacitance curve (TPH5R60APL)**

Fig. 4.2 shows  $C_{iss}$ ,  $C_{oss}$ ,  $C_{rss}$  capacitance curves. Since the G0 model is based on BSIM3, it cannot represent the nonlinearity of the capacitance characteristics, and the simulation curves of  $C_{rss}$  and  $C_{oss}$  deviate significantly from the characteristic curves of the datasheet. On the other hand, the G2 model is sufficiently capable of representing the characteristic curve of the data sheet.



**Figure 4-2 Parasitic capacitance characteristics simulated by G0 and G2 models and data sheet**



### 4.3 Switching Analysis (TPH1R306PL)

Next, the switching analysis is described. This analysis was performed using our fabricated resistive load board. A simple circuit model for this test board is shown in Figure 4-3. Figure 4-4 shows the comparison simulation results of this circuit model and measured voltage, current waveforms.

As shown in Section 4.2, the G0 model cannot suppress steeply changing current and voltage due to inadequate nonlinearity representation of capacitance characteristics and inability to express the original capacitance values. As a result, ringing occurs at the drain-source voltage ( $V_{DS}$ ). On the other hand, in the G2 model, almost the same change as the actual capacitance is realized during the rising process of the drain voltage, so the process in which  $V_{DS}$  transitions to the steady state is sufficiently expressed in the same way as the measured waveform.

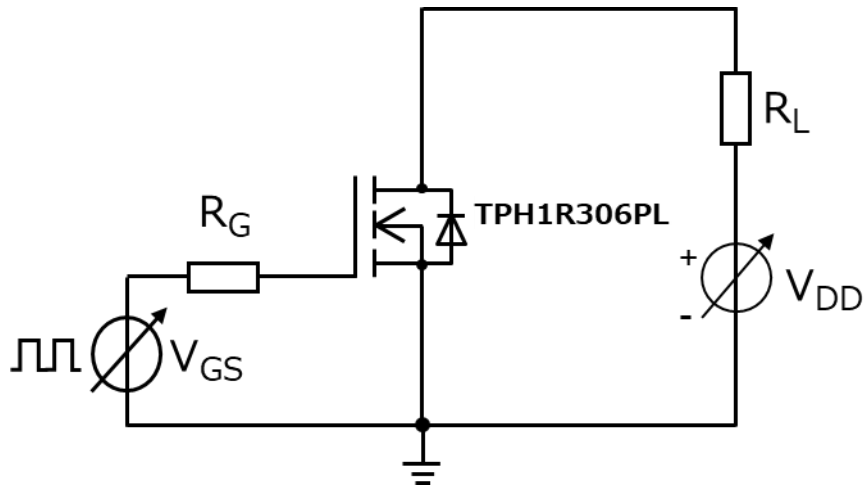


Figure 4-3 Resistive load switching circuit

Measurement conditions: Resistive load circuit,  
 $V_{DD}=30V$ ,  $V_{GS}=0/10V$ ,  $I_D=60A$ ,  $R_L=0.5\text{ ohms}$ ,  $T_a = \text{room temperature (measured)}/27\text{ }^\circ\text{C (simulated)}$

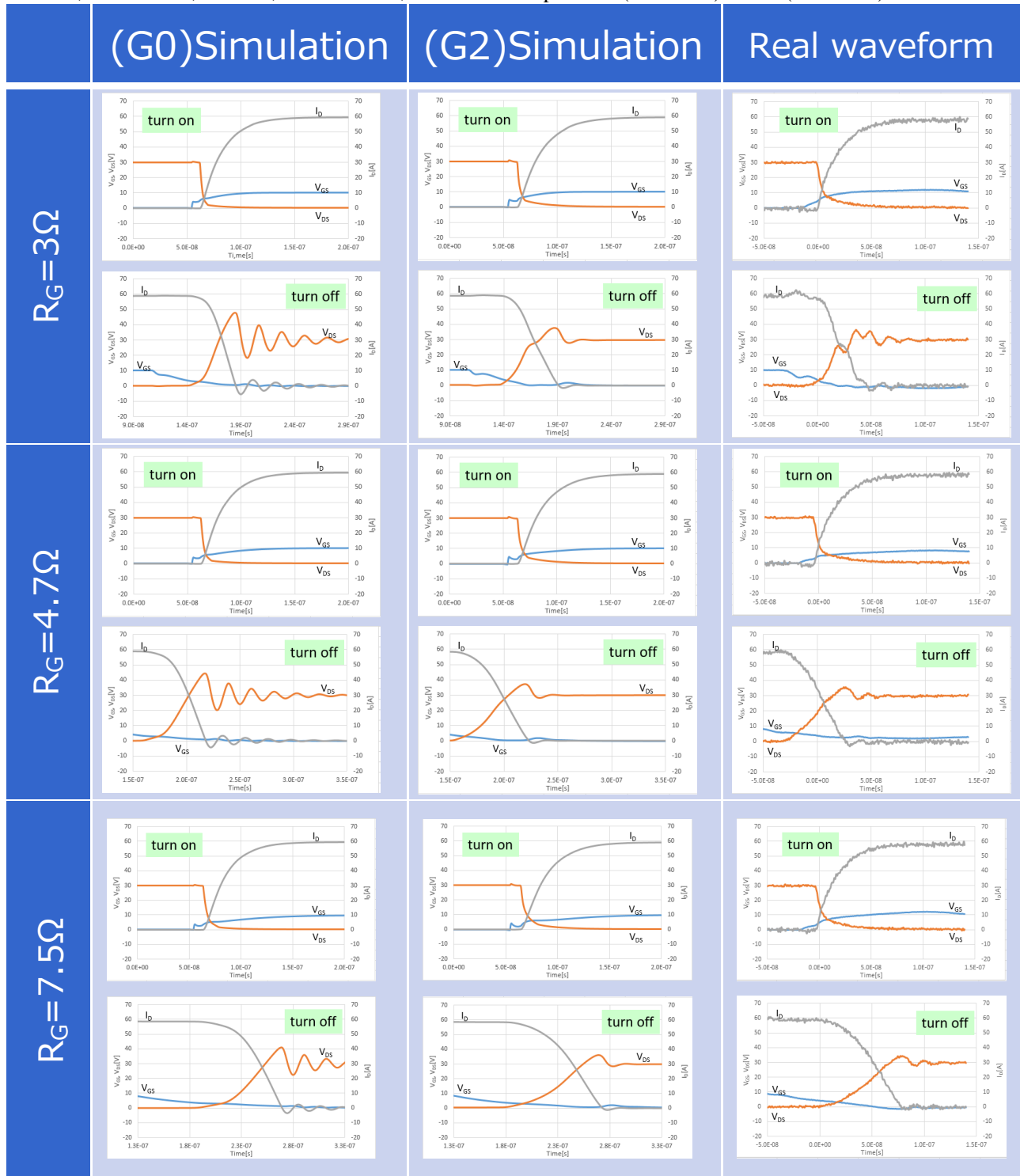


Figure 4-4 Simulation and actual measurement comparison of resistive load circuit switching waveforms

## 5. Fitting accuracy comparison of G0 and G2 model in DTMOS series

### 5.1 $I_D$ - $V_{DS}$ curve (TK040N65Z)

The DTMOS series is a MOSFET series with a super junction (SJ) structure of 600V to 800V. Fig. 5-1 shows  $I_D$ - $V_{DS}$  fitting curve of DTMOSVI series TK040N65Z. DTMOS series G2 model provides better reproducibility of saturation properties in the high current region of  $I_D$ - $V_{DS}$ . As a result, the RMS error of the G0 model is 4.72%, while that of the G2 model is 2.18%, which shows good fitting accuracy.

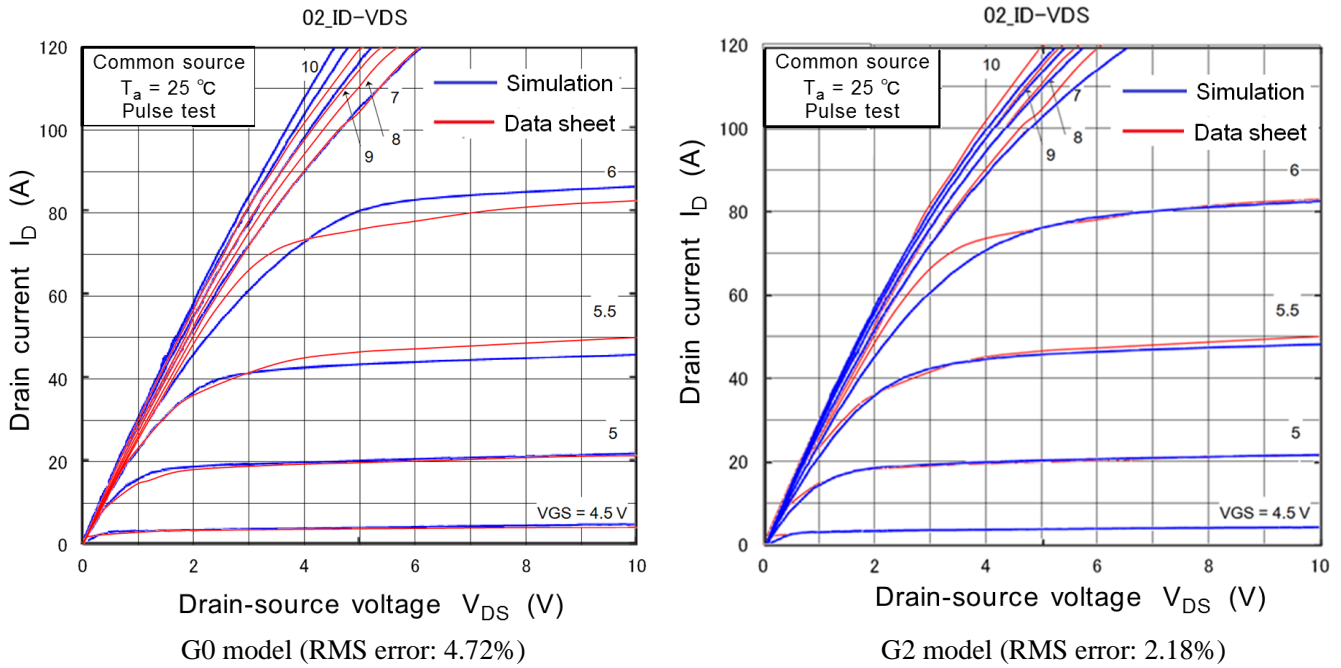
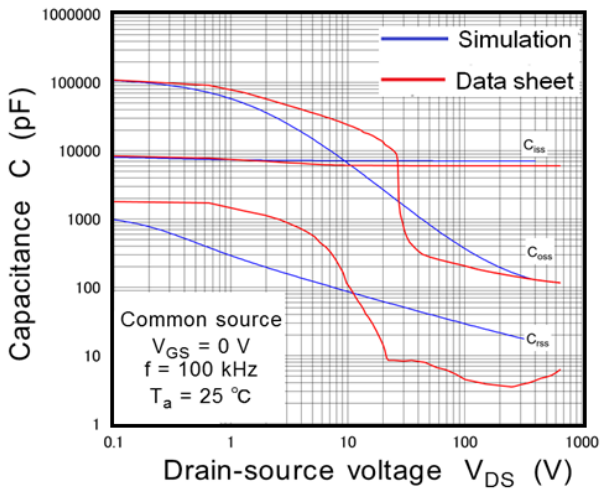


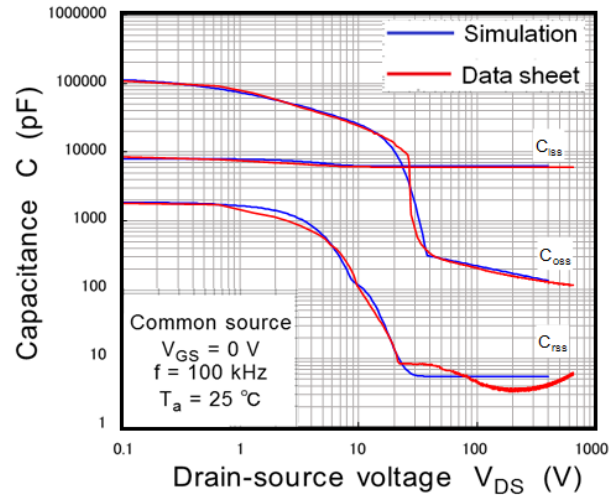
Figure 5-1  $I_D$ - $V_{DS}$  Characteristics curve simulated by G0 and G2 models and data sheet

**5.2 Parasitic capacitance curve (TK040N65Z)**

Fig. 5-2 shows  $C_{iss}$ ,  $C_{oss}$ ,  $C_{rss}$  capacitance curve. Since DTMOS series has a super-junction (SJ) structure, the  $C_{rss}$ ,  $C_{oss}$  curves for  $V_{DS}$  decreases sharply from a certain voltage value. Since the G0 model is based on BSIM3, it is not possible to express the non-linearity of this steeply decreasing capacitance characteristic, and the simulation curves of  $C_{rss}$  and  $C_{oss}$  deviate significantly from the characteristic curve of the data sheet. On the other hand, the G2 model can express the parasitic capacitance curve with an RMS error of 2% or less.



G0 model  
RMS error  
 $C_{iss}$ :0.53%,  $C_{rss}$ :6.25%,  $C_{oss}$ :3.96%



G2 model  
RMS error  
 $C_{iss}$ :0.22%,  $C_{rss}$ :0.914%,  $C_{oss}$ :0.97%

**Figure 5-2 Parasitic capacitance characteristics simulated by G0 and G2 models and data sheet**

## 5.3 Switching Analysis (TK040N65Z)

Next, the switching analysis is described. This time, we performed an analysis using our fabricated inductive load switching board. A simple circuit model for this test board is shown in Figure 5-3. Figure 5-4 shows the simulation results of this circuit model and comparison of measured voltage and current waveforms.

As shown in Section 5.2, the G0 model has insufficient nonlinear representation of the capacitance characteristics and cannot express the actual capacitance value, so that the gate voltage oscillation observed in actual measurements cannot be seen.

Also, the turn-off loss ( $E_{off}$ ) is not consistent with the actual measurement and larger than that. On the other hand, the G2 model is able to express that the gate-oscillation voltage decreases with increasing  $R_G$ , and that difference of  $E_{off}$  is also within 10% from the actual measurement. Therefore, the G2 model is a device model capable of verifying the dynamic characteristics.

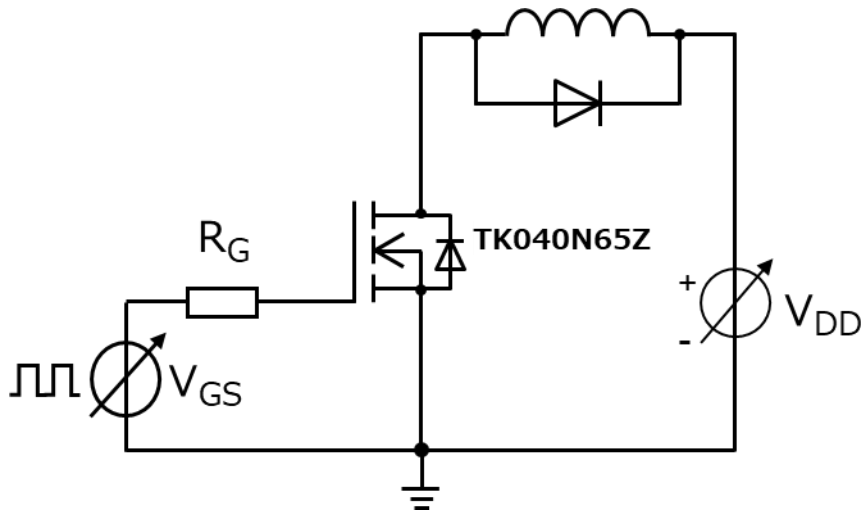


Figure 5-3 Inductive Load Switching Circuit

Measurement conditions: inductance load circuit,  
 $V_{DD}=400V$ ,  $V_{GS}=0/10V$ ,  $I_D=10A$ ,  $T_a$  = room temperature (measured)/ $27^{\circ}C$  (simulated)

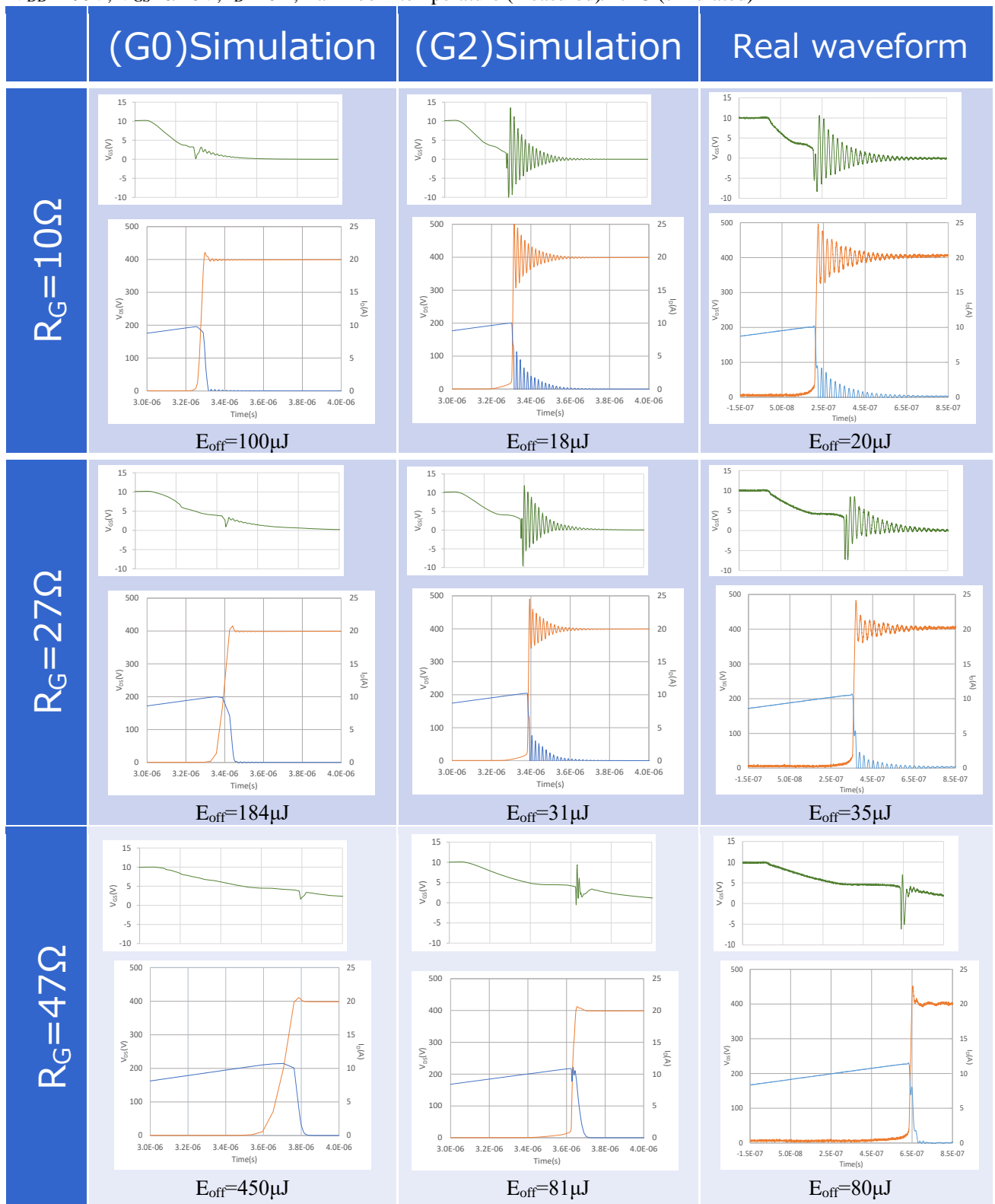


Figure 5-4 Simulation and actual measurement comparison of inductive load circuit switching waveforms

## RESTRICTIONS ON PRODUCT USE

Toshiba Corporation and its subsidiaries and affiliates are collectively referred to as "TOSHIBA". Hardware, software and systems described in this document are collectively referred to as "Product".

- TOSHIBA reserves the right to make changes to the information in this document and related Product without notice.
- This document and any information herein may not be reproduced without prior written permission from TOSHIBA. Even with TOSHIBA's written permission, reproduction is permissible only if reproduction is without alteration/omission.
- Though TOSHIBA works continually to improve Product's quality and reliability, Product can malfunction or fail. Customers are responsible for complying with safety standards and for providing adequate designs and safeguards for their hardware, software and systems which minimize risk and avoid situations in which a malfunction or failure of Product could cause loss of human life, bodily injury or damage to property, including data loss or corruption. Before customers use the Product, create designs including the Product, or incorporate the Product into their own applications, customers must also refer to and comply with (a) the latest versions of all relevant TOSHIBA information, including without limitation, this document, the specifications, the data sheets and application notes for Product and the precautions and conditions set forth in the "TOSHIBA Semiconductor Reliability Handbook" and (b) the instructions for the application with which the Product will be used with or for. Customers are solely responsible for all aspects of their own product design or applications, including but not limited to (a) determining the appropriateness of the use of this Product in such design or applications; (b) evaluating and determining the applicability of any information contained in this document, or in charts, diagrams, programs, algorithms, sample application circuits, or any other referenced documents; and (c) validating all operating parameters for such designs and applications. **TOSHIBA ASSUMES NO LIABILITY FOR CUSTOMERS' PRODUCT DESIGN OR APPLICATIONS.**
- **PRODUCT IS NEITHER INTENDED NOR WARRANTED FOR USE IN EQUIPMENTS OR SYSTEMS THAT REQUIRE EXTRAORDINARILY HIGH LEVELS OF QUALITY AND/OR RELIABILITY, AND/OR A MALFUNCTION OR FAILURE OF WHICH MAY CAUSE LOSS OF HUMAN LIFE, BODILY INJURY, SERIOUS PROPERTY DAMAGE AND/OR SERIOUS PUBLIC IMPACT ("UNINTENDED USE").** Except for specific applications as expressly stated in this document, Unintended Use includes, without limitation, equipment used in nuclear facilities, equipment used in the aerospace industry, lifesaving and/or life supporting medical equipment, equipment used for automobiles, trains, ships and other transportation, traffic signaling equipment, equipment used to control combustions or explosions, safety devices, elevators and escalators, and devices related to power plant. **IF YOU USE PRODUCT FOR UNINTENDED USE, TOSHIBA ASSUMES NO LIABILITY FOR PRODUCT.** For details, please contact your TOSHIBA sales representative or contact us via our website.
- Do not disassemble, analyze, reverse-engineer, alter, modify, translate or copy Product, whether in whole or in part.
- Product shall not be used for or incorporated into any products or systems whose manufacture, use, or sale is prohibited under any applicable laws or regulations.
- The information contained herein is presented only as guidance for Product use. No responsibility is assumed by TOSHIBA for any infringement of patents or any other intellectual property rights of third parties that may result from the use of Product. No license to any intellectual property right is granted by this document, whether express or implied, by estoppel or otherwise.
- **ABSENT A WRITTEN SIGNED AGREEMENT, EXCEPT AS PROVIDED IN THE RELEVANT TERMS AND CONDITIONS OF SALE FOR PRODUCT, AND TO THE MAXIMUM EXTENT ALLOWABLE BY LAW, TOSHIBA (1) ASSUMES NO LIABILITY WHATSOEVER, INCLUDING WITHOUT LIMITATION, INDIRECT, CONSEQUENTIAL, SPECIAL, OR INCIDENTAL DAMAGES OR LOSS, INCLUDING WITHOUT LIMITATION, LOSS OF PROFITS, LOSS OF OPPORTUNITIES, BUSINESS INTERRUPTION AND LOSS OF DATA, AND (2) DISCLAIMS ANY AND ALL EXPRESS OR IMPLIED WARRANTIES AND CONDITIONS RELATED TO SALE, USE OF PRODUCT, OR INFORMATION, INCLUDING WARRANTIES OR CONDITIONS OF MERCHANTABILITY, FITNESS FOR A PARTICULAR PURPOSE, ACCURACY OF INFORMATION, OR NONINFRINGEMENT.**
- Do not use or otherwise make available Product or related software or technology for any military purposes, including without limitation, for the design, development, use, stockpiling or manufacturing of nuclear, chemical, or biological weapons or missile technology products (mass destruction weapons). Product and related software and technology may be controlled under the applicable export laws and regulations including, without limitation, the Japanese Foreign Exchange and Foreign Trade Law and the U.S. Export Administration Regulations. Export and re-export of Product or related software or technology are strictly prohibited except in compliance with all applicable export laws and regulations.
- Please contact your TOSHIBA sales representative for details as to environmental matters such as the RoHS compatibility of Product. Please use Product in compliance with all applicable laws and regulations that regulate the inclusion or use of controlled substances, including without limitation, the EU RoHS Directive. **TOSHIBA ASSUMES NO LIABILITY FOR DAMAGES OR LOSSES OCCURRING AS A RESULT OF NONCOMPLIANCE WITH APPLICABLE LAWS AND REGULATIONS.**

---

## Toshiba Electronic Device & Storage Corporation

<https://toshiba.semicon-storage.com/jp/>