

# Comparison of eFuse IC and Conventional Fuse Characteristics

## Application note

### **Overview**

eFuse ICs are Protection ICs, also known as semiconductor fuses or electronic fuses. As a conventional type fuse, a fuse with a glass tube is generally used, but as a protective element on an electronic circuit board, a blown type one-shot type chip fuse, a reusable resettable fuse, etc. are used. eFuse ICs offer a variety of advantages over conventional fuses. This document compares our eFuse ICs with conventional fuses in terms of their protective properties and explains the differences in their properties.

## Table of Contents

Overview.....	1
Table of Contents.....	2
1. Introduction.....	5
2. Basic specifications of each fuse.....	6
3. Product specifications for evaluation.....	7
4. Comparison of Overcurrent Protection Characteristics.....	9
4.1 Evaluation method.....	9
4.2 Evaluation-result $I_{OUT} = 5\text{ A}$ ( $R_{LOAD} = 2.4\ \Omega$ ).....	10
4.3 Evaluation-result $I_{OUT} = 10\text{ A}$ ( $R_{LOAD} = 1.2\ \Omega$ ).....	11
5. Comparison of Short Circuit Protection Characteristics.....	13
5.1 Evaluation method.....	13
5.2 Evaluation Results.....	14
5.3 [Supplement] Enhancements to IC protection (Addition of Schottky Barrier Diode (CUHS20S30)).....	16
6. Summary.....	18
<b>RESTRICTIONS ON PRODUCT USE.....</b>	<b>19</b>

## List of Figures

Fig.1 eFuse IC Timing Chart.....	7
Fig.2 eFuse IC Evaluation Board and Schematic.....	8
Fig.3 Evaluation Board for Resettable Fuse .....	8
Fig.4 Evaluation Board for One-Shot Chip Fuse.....	8
Fig.5 eFuse IC Overcurrent Protection Estimation Schematic.....	9
Fig.6 Overcurrent Protection Evaluation Circuit Diagram for Resettable Fuses and One-Shot Chip Fuses .9	
Fig.7 Evaluation result of overcurrent 5 A .....	10
Fig.8 Evaluated overcurrent of 10 A (Time: 1.0 s/div) .....	11
Fig.9 Evaluated overcurrent of 10 A (Time: 1.0 ms/div).....	12
Fig.11 Short-Circuit Protection Evaluation Circuit Diagram for Resettable Fuses and One-Shot Chip Fuses .....	13
Fig.14 Short-circuit protection evaluation circuit of eFuse IC with SBD connected to the output side.....	16
Fig.15 Evaluated short-circuit current of eFuse IC (with/without SBD).....	17

## List of Tables

Table 1 Comparison table of various fuses.....	6
Table 2 Main Characteristics of Various Fuses (Values listed in data sheets).....	7
Table 3 Results of Short Circuit Protection Evaluation for Various Fuses .....	15
Table 4 Summary of Evaluation Results.....	18

## 1. Introduction

Glass tube fuses and blade fuses are used as safety parts to prevent overcurrent to electronic equipment. Recent miniature electronic devices also use repeatedly usable chip-type fuses (surface mount resettable fuses, hereafter referred to as resettable fuses).

All of them are protection devices using Joule heat generated by overcurrent, but they pose the challenge of low accuracy when interrupting current and time-consuming shut-off.

In addition, glass tube fuses that blow metal or chip fuses that cannot be reused (hereafter, one-shot chip fuses) will be damaged once circuit protection is activated, so there is a problem that fuses must be replaced in order to restart operation.

Semiconductor fuses (also known as eFuse ICs or electronic fuses, hereafter eFuse ICs) are drawing attention as a new type of protection fuse that meets the above-mentioned challenges.

The eFuse IC provides high-speed operation and high-precision overcurrent protection that is unique to semiconductors. It can also be used repeatedly, and it is easy to recover after shutdown.

This document introduces the results of comparing the characteristics of two types of chip fuses and our eFuse ICs.

## 2. Basic specifications of each fuse

Characteristics of various fuses are shown in Table 1.

eFuse ICs were compared with 3 types of fuse : a resettable fuse that can be used repeatedly, and a chip fuse (hereafter, a one-shot type chip fuse) that cannot be reused once it has been activated and glass tube fuse.

**Table 1 Comparison table of various fuses1**

	Glass tube fuse	One-shot type chip fuse	Resettable fuse	Electronic fuse or eFuse IC
<b>Repeatability</b>	-	-	✓	✓✓✓
<b>Overcurrent protection Speed and accuracy</b>	-	-	-	✓✓✓
<b>Other protection functions</b>	-	-	-	✓✓✓
<b>Effect of ambient temperature</b>	-	-	-	✓✓✓
<b>Single unit mounting area</b>	-	✓✓	-	✓
<b>Total mounting area including protection circuit</b>	-	-	-	✓✓✓
<b>Cost of individual parts</b>	✓	✓✓	-	✓
<b>Total cost including function and maintenance</b>	-	-	-	✓✓✓

### 3. Product specifications for evaluation

The products for evaluation are shown in Table 2. Table 2 Main Characteristics of Various Fuses (Values listed in data sheets)<sup>2</sup>

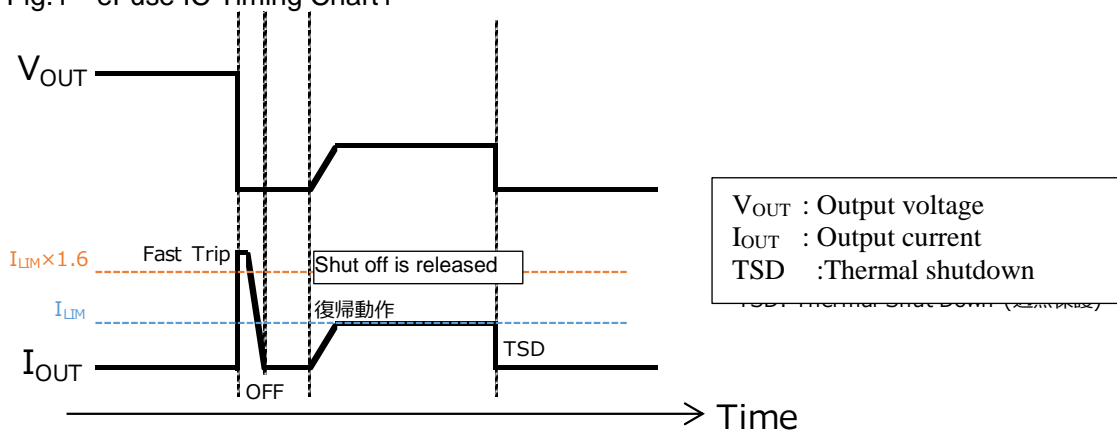
Three types of fuses were compared: an eFuse IC, a resettable fuse that can be used repeatedly, and a one-shot chip fuse that cannot be reused once it has been activated. The rated current of the products to be compared is about 3A.

**Table 2 Main Characteristics of Various Fuses (Values listed in data sheets)<sup>2</sup>**

	eFuse IC ( <a href="#">TCKE812NL</a> )	Resettable Fuse	One-shot type Chip fuse
Manufacturer	TOSHIBA	Company A	Company B
Size [mm]	3.0 x 3.0 x t0.7	7.3 x 7.7 x t1.1	1.0 x 0.5 x t0.5
Rated current	5.0 A	3.1 A (Hold Current)	3.0 A
Output limit current	3 A ( $R_{ILIM} = 35.7 \text{ k}\Omega$ )	—	—
Protection operation time <sup>※1</sup> (at output current of 5 A)	150 ns <sup>※2</sup>	> 13 s	> 3 s
On-resistance	28 mΩ	13 – 36 mΩ	21 mΩ
Oversvoltage protection function	Y	None	None

※1 A protection operation time is the time until the path is cut off when an overcurrent enters the device.

※2 In the case of eFuse IC, it corresponds to Fast-trip time. Fast Trip is an operation that quickly cuts off the current path when a current of  $I_{LIM} \times 1.6$  times or more flows in the output current ( $I_{OUT}$ ) as shown in Fig. 1. Fig.1 eFuse IC Timing Chart<sup>1</sup>



**Fig.1 eFuse IC Timing Chart<sup>1</sup>**

The evaluation boards and circuit diagrams used for the evaluation are shown in Fig 2, Fig 3, and Fig 4. Fig.2 eFuse IC Evaluation Board and Schematic2 Fig.3 Evaluation Board for Resettable Fuse3

Fig.4 Evaluation Board for One-Shot Chip Fuse4

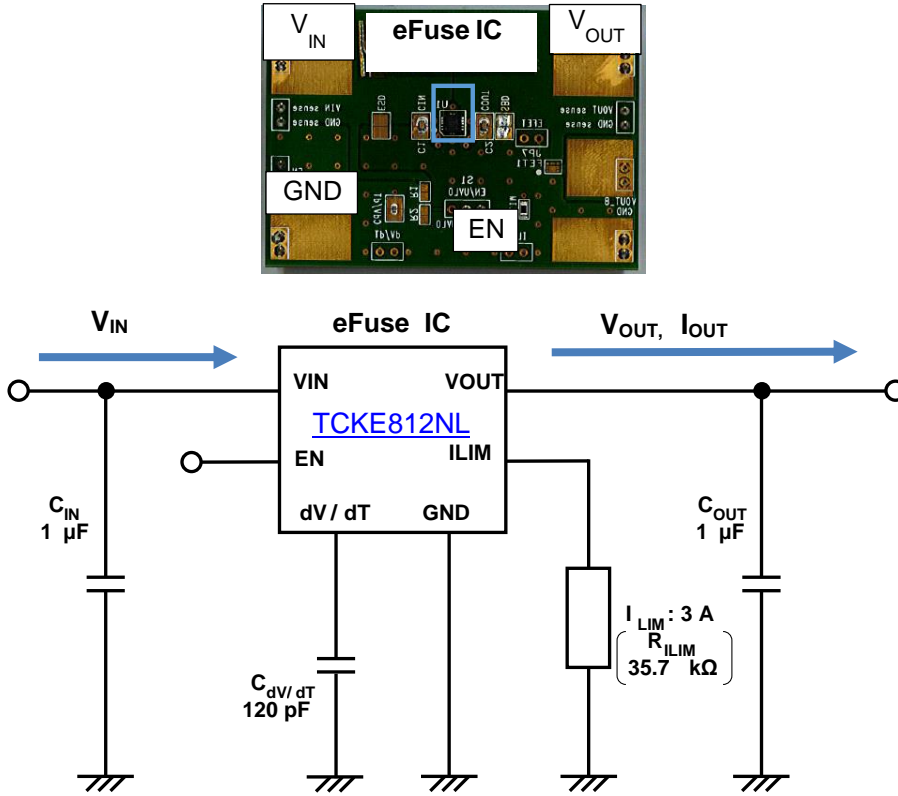


Fig.2 eFuse IC Evaluation Board and Schematic2

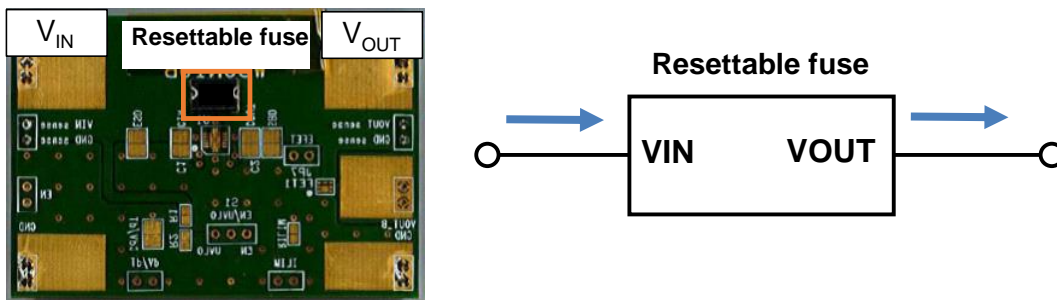
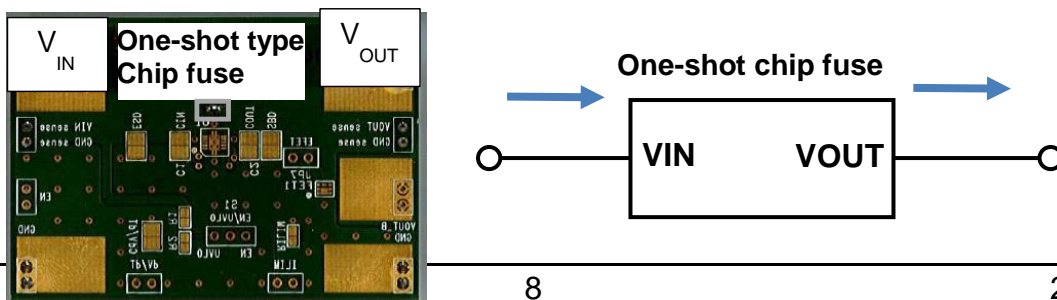


Fig.3 Evaluation Board for Resettable Fuse3





**Fig.4 Evaluation Board for One-Shot Chip Fuse4**

### 4. Comparison of Overcurrent Protection Characteristics

Overcurrent protection (OCP) is a function that stops output when the output current becomes larger than expected due to short-circuit of the output-side circuit, etc. Deterioration of the characteristics of the subsequent circuit, operation failure, breakage, etc. caused by excessive current flow can be prevented.

The overcurrent protection is compared for the period from when a current exceeding the specified current (5A and 10A) flows into the fuse to when it is shut off.

#### 4.1 Evaluation method

The evaluation circuit for eFuse ICs is shown in Figure 5, and the evaluation circuit for resettable fuse and one-shot chip fuses is shown in Figure 6. Fig.5 eFuse IC Overcurrent Protection Estimation Schematic Fig.6 Overcurrent Protection Evaluation Circuit Diagram for Resettable Fuses and One-Shot Chip Fuses

The overcurrent is set by the load resistance  $R_{LOAD}$  and is evaluated for the two types of 5A ( $R_{LOAD}=2.4\Omega$ ) and 10A ( $R_{LOAD}=1.2\Omega$ ). The evaluation procedure is as follows.

- The input side of the fuse shall be a state in which DC voltage is applied by connecting a power supply.
- Turn the switch (SW) from open (OFF) to connect (ON). Thus, a sudden current (overcurrent) flows through  $R_{LOAD}$ .
- Measure the time from when the switch (SW) is connected (ON) until the fuse is shut off (protective operation).

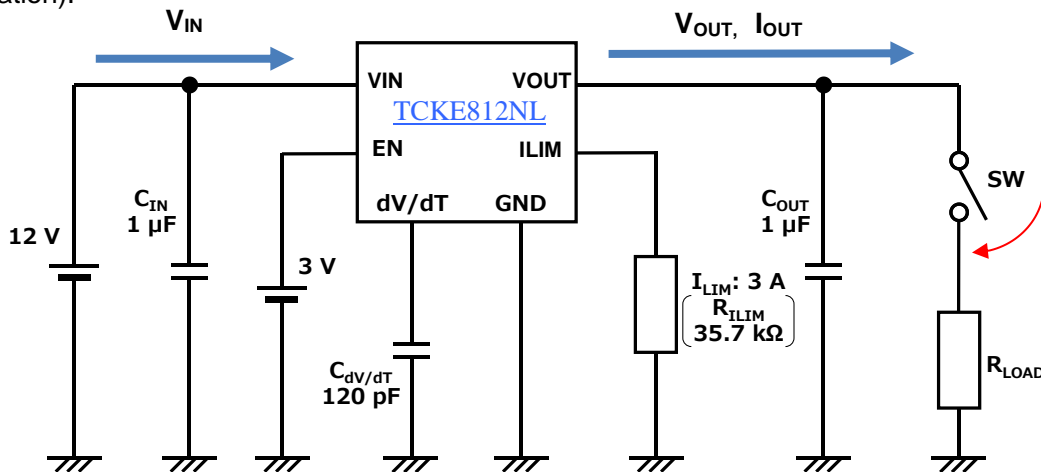


Fig.5 eFuse IC Overcurrent Protection Estimation Schematic5

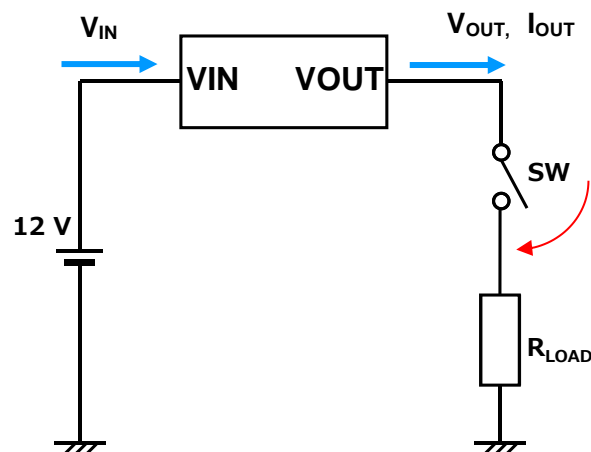


Fig.6 Overcurrent Protection Evaluation Circuit Diagram for Resettable Fuses and One-Shot Chip Fuses6

**4.2 Evaluation-result  $I_{OUT} = 5 A$  ( $R_{LOAD} = 2.4 \Omega$ )**

Figure 7 shows the operation of various fuses at an overcurrent of 5 A. Fig.7 Evaluation result of overcurrent 5 A7

Although eFuse IC shut off the current path instantaneously, the resettable fuse and the one-shot type chip fuse did not shut off the current path even if 167 % of the overcurrent against the rating continued to flow for 8 s, and the protection function did not operate within the times shown in the figure.

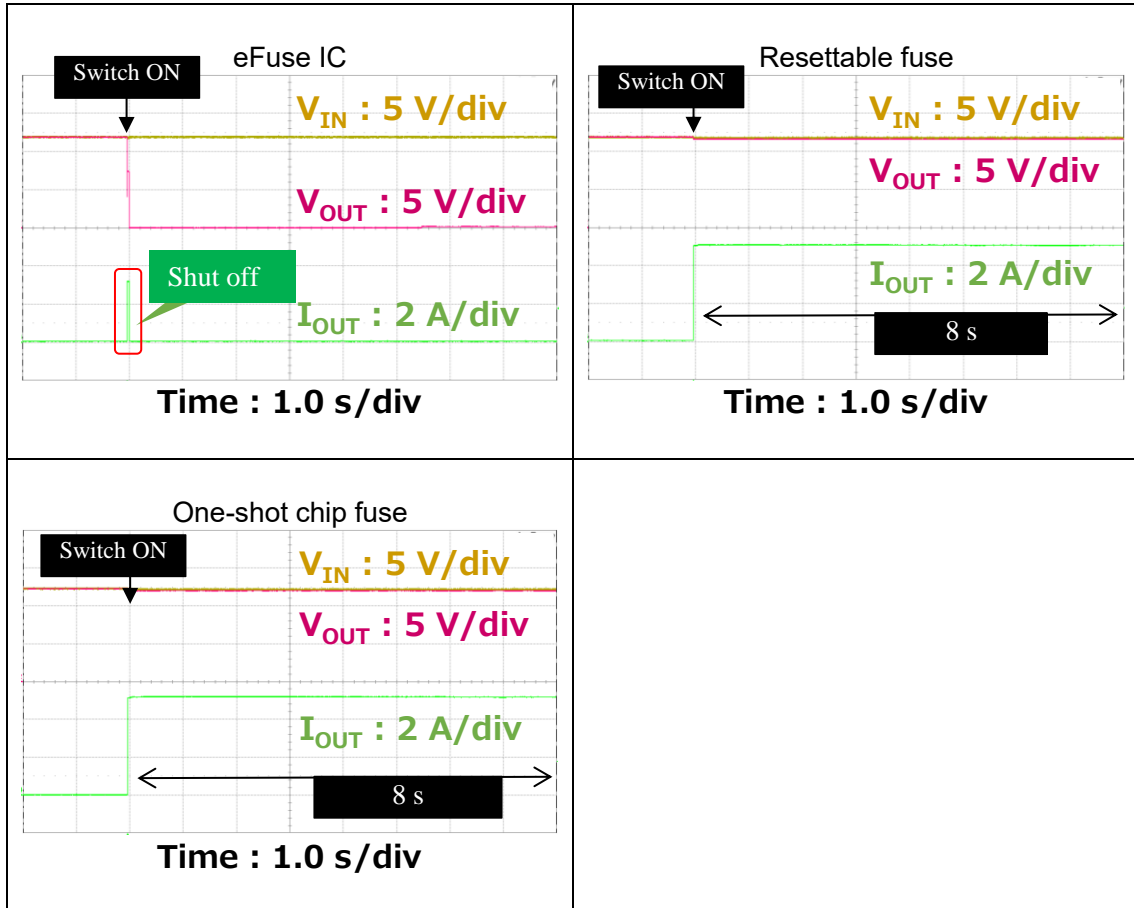


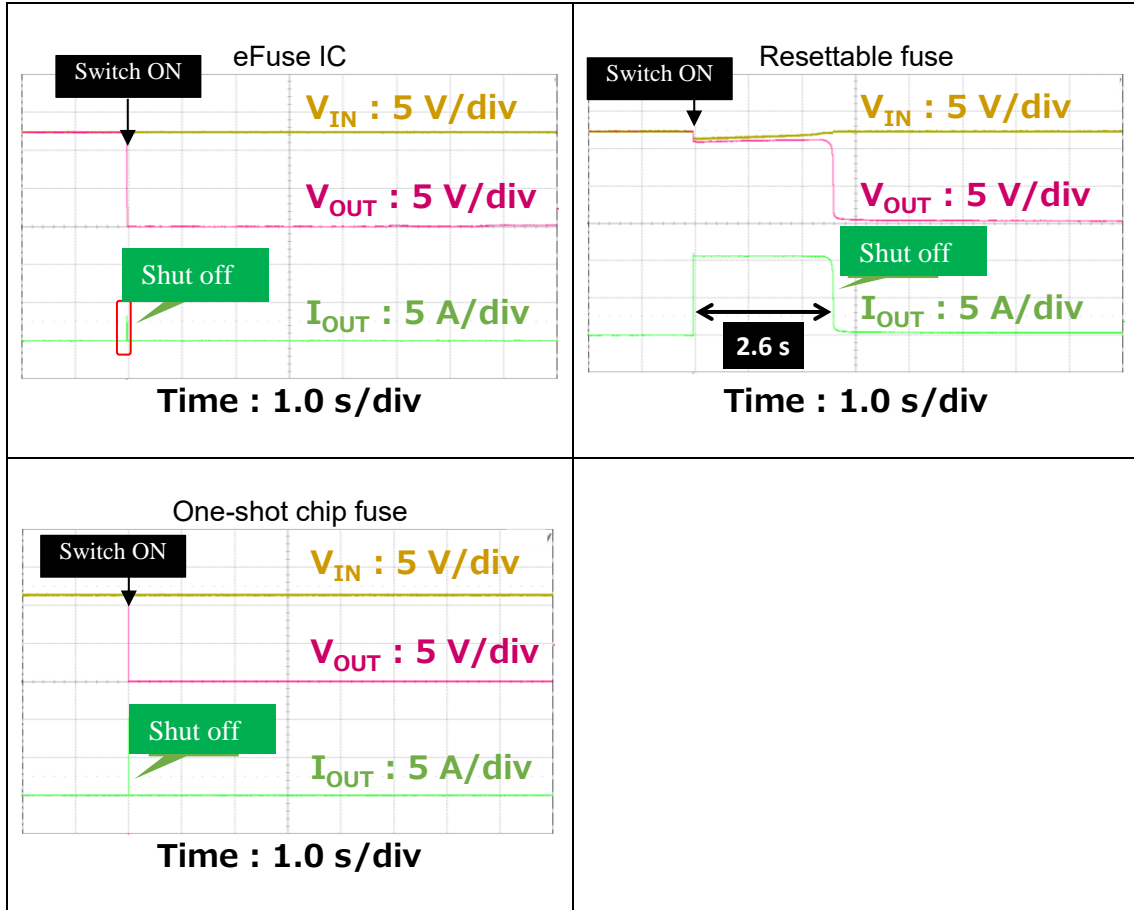
Fig.7 Evaluation result of overcurrent 5 A7

**4.3 Evaluation-result  $I_{OUT} = 10\text{ A}$  ( $R_{LOAD} = 1.2\ \Omega$ )**

Figure 8 shows the operation of various fuses when the overcurrent is set to 10 A. Fig.8 Evaluated overcurrent of 10 A (Time: 1.0 s/div) 8

eFuse IC and the one-shot chip fuse were able to shut off the current path instantaneously just as when the overcurrent was 5 A.

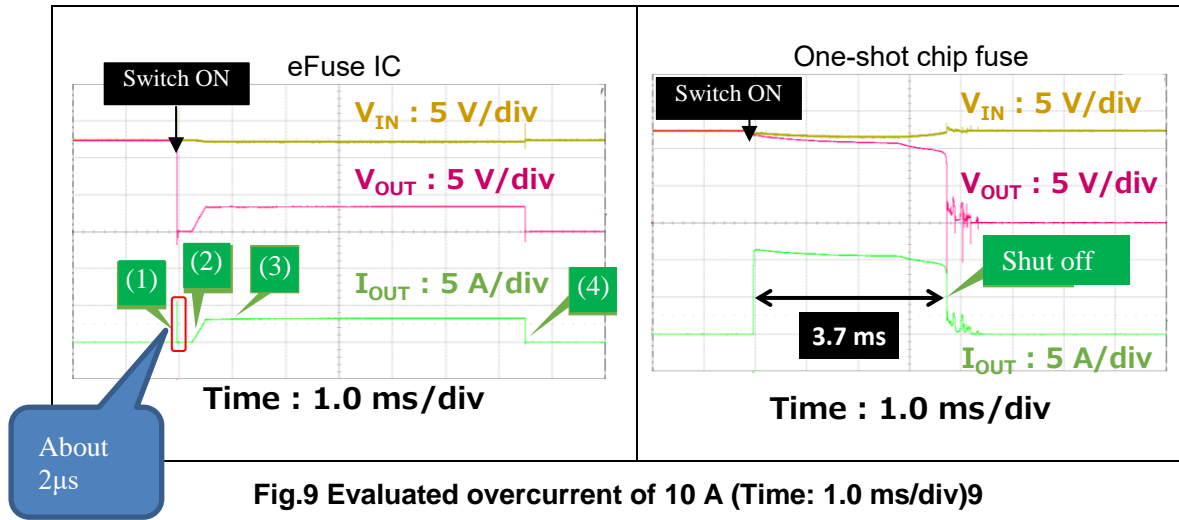
On the other hand, the resettable fuse took 2.6 s to cut off the current path.



**Fig.8 Evaluated overcurrent of 10 A (Time: 1.0 s/div) 8**

eFuse IC and one-shot chip fuse are shown in Fig. 8 with a very short cut-off duration and more detailed comparisons with a time-base of 1.0 ms/div are shown in Fig. 9. Fig. 9 Evaluated overcurrent of 10 A (Time: 1.0 ms/div)

Consequently, eFuse IC interrupted the current path instantaneously (about 2µs: within the green frame in Fig. 9-left (1)), whereas the one-shot type chip fuse interrupted the path after 3.7 ms.



**Fig.9 Evaluated overcurrent of 10 A (Time: 1.0 ms/div)**

In evaluating 10A setting this time, we have confirmed that the current path was interrupted by the conventional fuse. However, the time until interruption fluctuates depending on the ambient temperature as well as the current. Even with 5A setting, depending on the ambient temperature, it may be shut off in a short time. On the other hand, for eFuse IC, the current path can be shut off as soon as the preset current value is exceeded, regardless of the ambient temperature, etc.

eFuse IC is recommended if you wish to shut off the current path accurately and immediately to protect the subsequent circuitry.

This section explains the behavior of eFuse IC after the overcurrent protection function is activated (Fig. 9, left side).

- When an overcurrent occurs, the eFuse IC cuts off the current after detecting the overcurrent. (in the red frame in Fig. 9 (1)). Fig.9 Evaluated overcurrent of 10 A (Time: 1.0 ms/div)
- Thereafter, after several hundred µs, the interruption of the current path (conduction) is released (the portion (2) in Fig. 9). Fig.9 Evaluated overcurrent of 10 A (Time: 1.0 ms/div)
- At this time, if the overcurrent has not been eliminated, I<sub>OUT</sub> is limited to 3 A (I<sub>LIM</sub>) by the overcurrent limiting function (as shown in (3) in Fig. 9). Fig.9 Evaluated overcurrent of 10 A (Time: 1.0 ms/div)
- If eFuse IC continues to flow 3 A, the chip temperature rises due to heat dissipation, resulting in overheat protection (TSD).  
 The current path is interrupted again (in Fig. 9 (4)). Fig.9 Evaluated overcurrent of 10 A (Time: 1.0 ms/div)

As described above, eFuse IC recovers after confirming that the input current has returned to the normal range after an overcurrent has occurred.

Please refer to the linked document (Application Note) for detailed operation of the product. → [Click Here](#)

### 5. Comparison of Short Circuit Protection Characteristics

The short-circuit protection function prevents excessive current from flowing when the power line or load is short-circuited due to an error.

This short-circuit protection characteristic comparison is performed for the period from the short circuit on the output side of the fuse to the interruption of the current, and for the maximum value of the instantaneous current.

#### 5.1 Evaluation method

Figure 10 shows eFuse ICs evaluation circuit and Figure 11 shows the evaluation circuit for resettable fuses and one-shot chip fuses. Fig.10 Short Circuit Diagram of eFuse IC Fig.11 Short-Circuit Protection Evaluation Circuit Diagram for Resettable Fuses and One-Shot Chip Fuses

The evaluation procedure is as follows.

- DC voltage is applied by connecting a DC power supply to the input side of the fuse.
- Connect the output-side  $V_{OUT}$  of the fuse and GND with a switch (SW), and turn the switch OFF (open).
- Turn the switch (SW) from OFF (open) to ON (short) to short-circuit the output side of the fuse.
- Measure the time from when the switch (SW) turns ON (short) until the fuse cuts off the path (protection action) and the current value flowing through the fuse output.

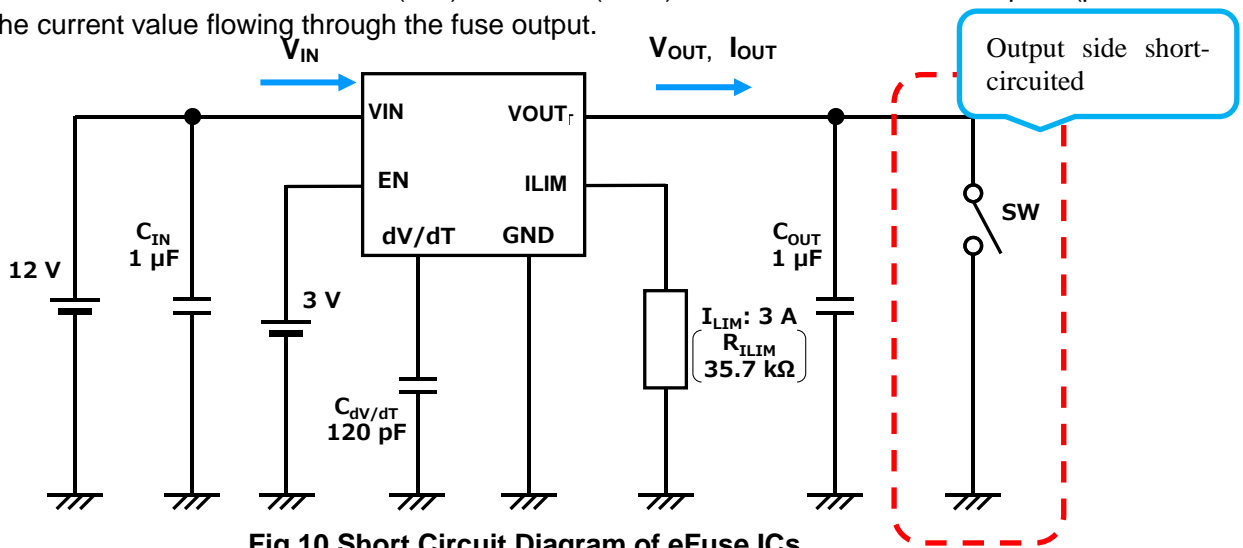


Fig.10 Short Circuit Diagram of eFuse ICs

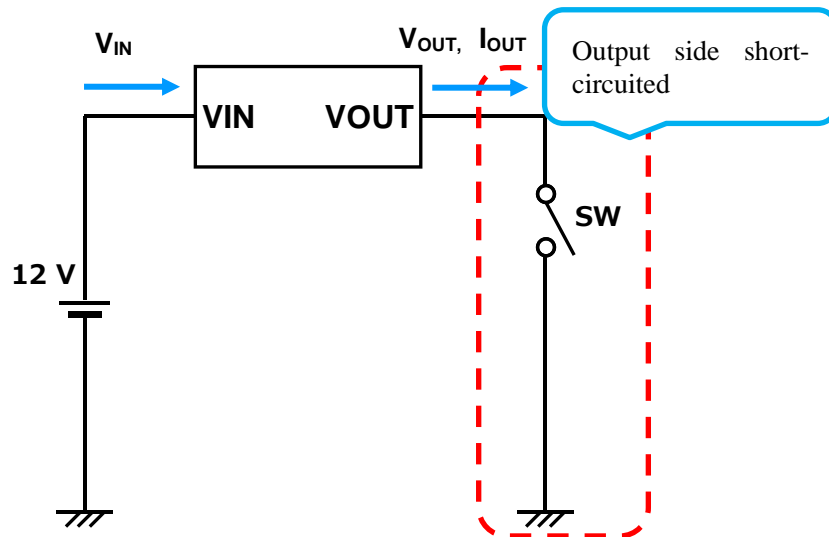


Fig.11 Short-Circuit Protection Evaluation Circuit Diagram for Resettable Fuses and One-Shot Chip Fuses

## 5.2 Evaluation Results

The evaluation results for various fuses are shown in Figure 12. In Figure 12, the resettable fuse failed to observe the time until the current path was shut off, so the evaluation result of widening the time base is shown in Figure 13. Fig.12 Evaluation results of short-circuit current of various fuses

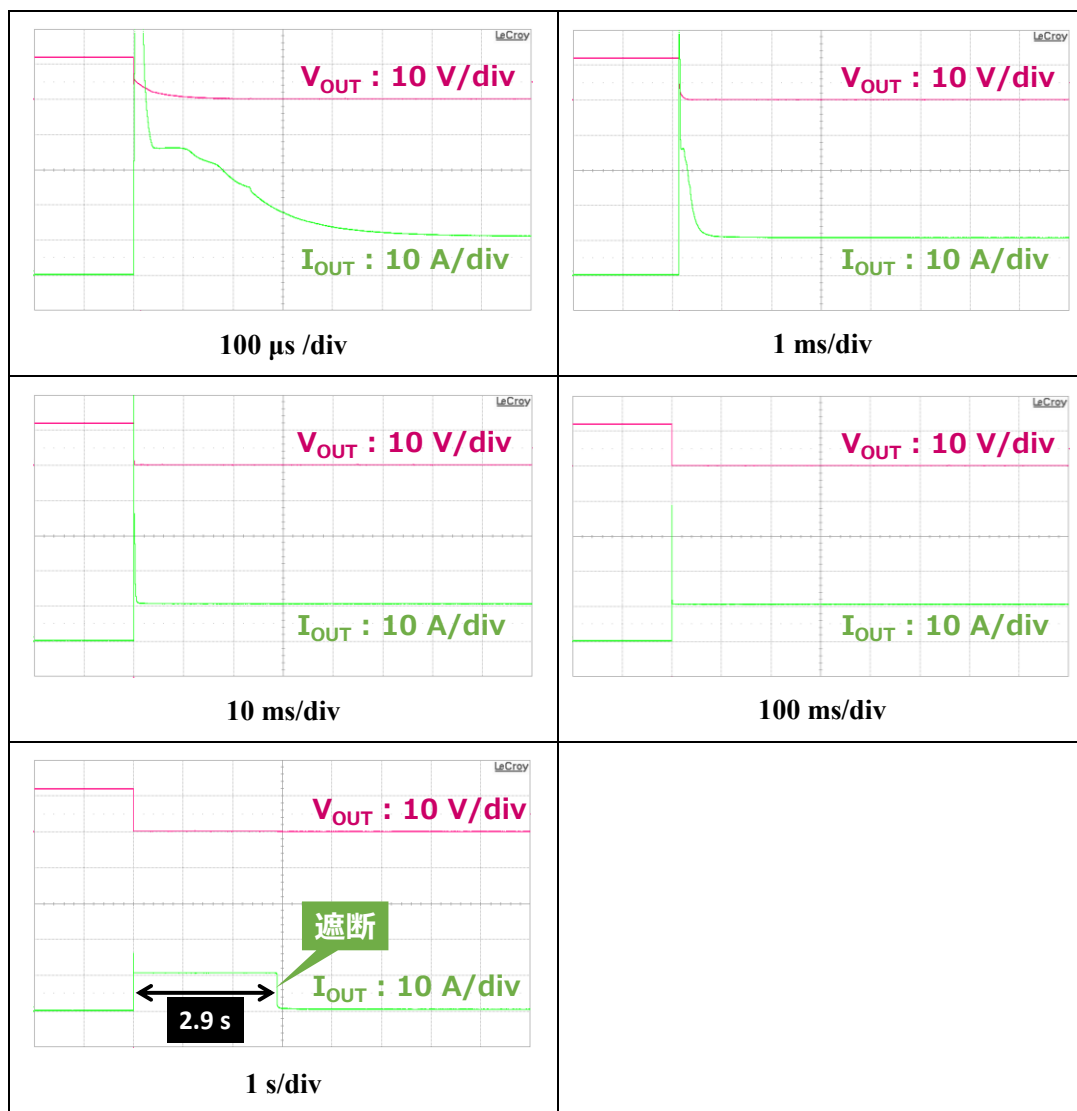


Fig.13 Evaluation result of widening the time axis of the Resettable fuse  
11Fig.12 Evaluation results of short-circuit current of various fuses



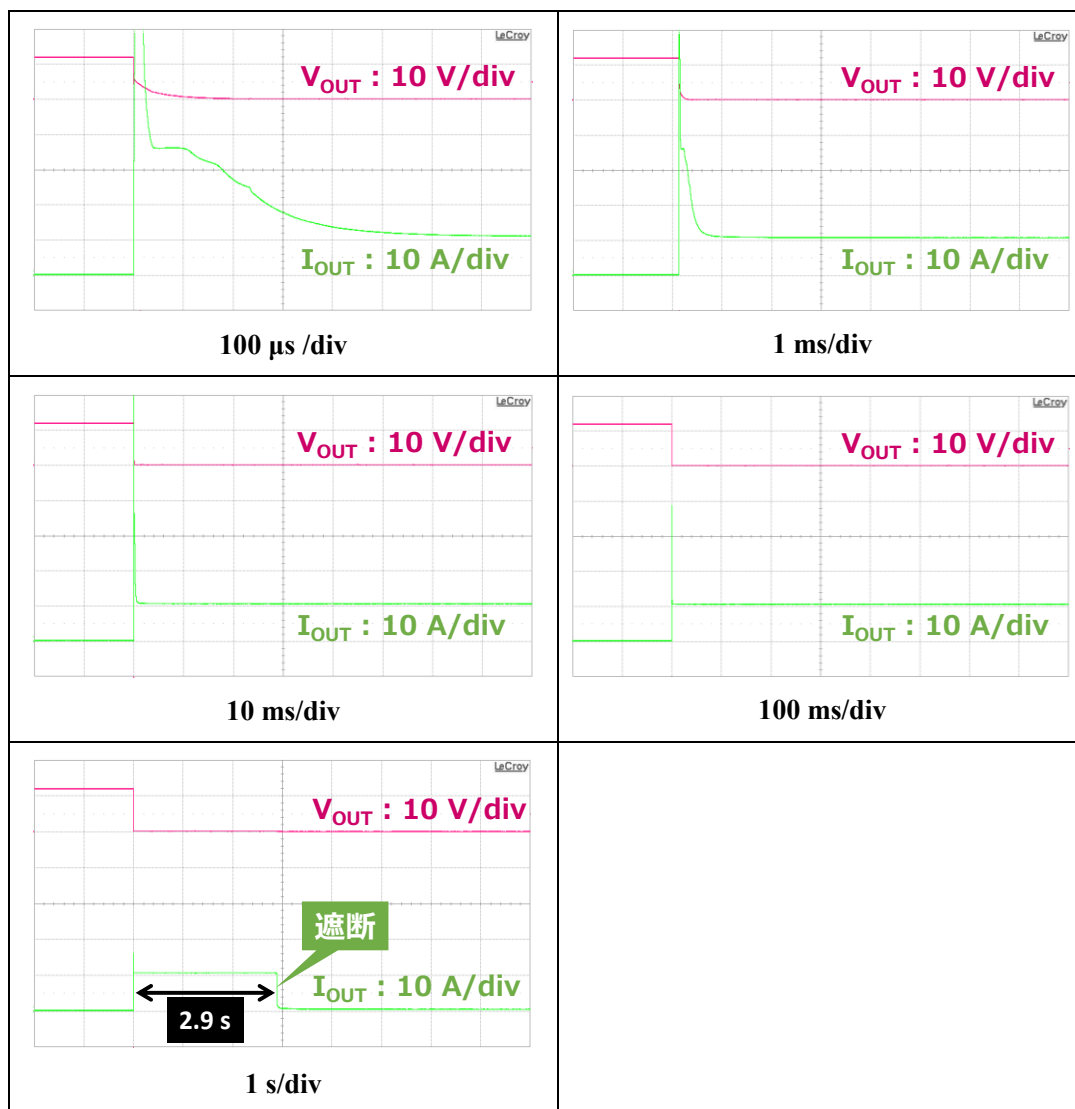


Fig.13 Evaluation result of widening the time axis of the Resettable fuse

11 エラー! 参照元が見つかりません。

Table 3 Results of Short Circuit Protection Evaluation for Various Fuses3

Compared with conventional fuses, eFuse IC has a shorter path shut-off time when shorted, and has a lower maximum  $I_{OUT}$  and superior protection performance.

A large current of 70 A or more flows into the resettable fuse when it is short-circuited, but  $I_{OUT}$  is suppressed to about 10 A after about 500  $\mu$ s. This is considered to be the effect of the power supply used for the evaluation, rather than the current limiting function of the resettable fuse (because the current rating of the power supply is 10 A and it is impossible to carry a current above the rating). Interrupted after 2.9s after short-circuit. The one-shot type chip fuse also had a large current that exceeded 70A at the time of short circuit.

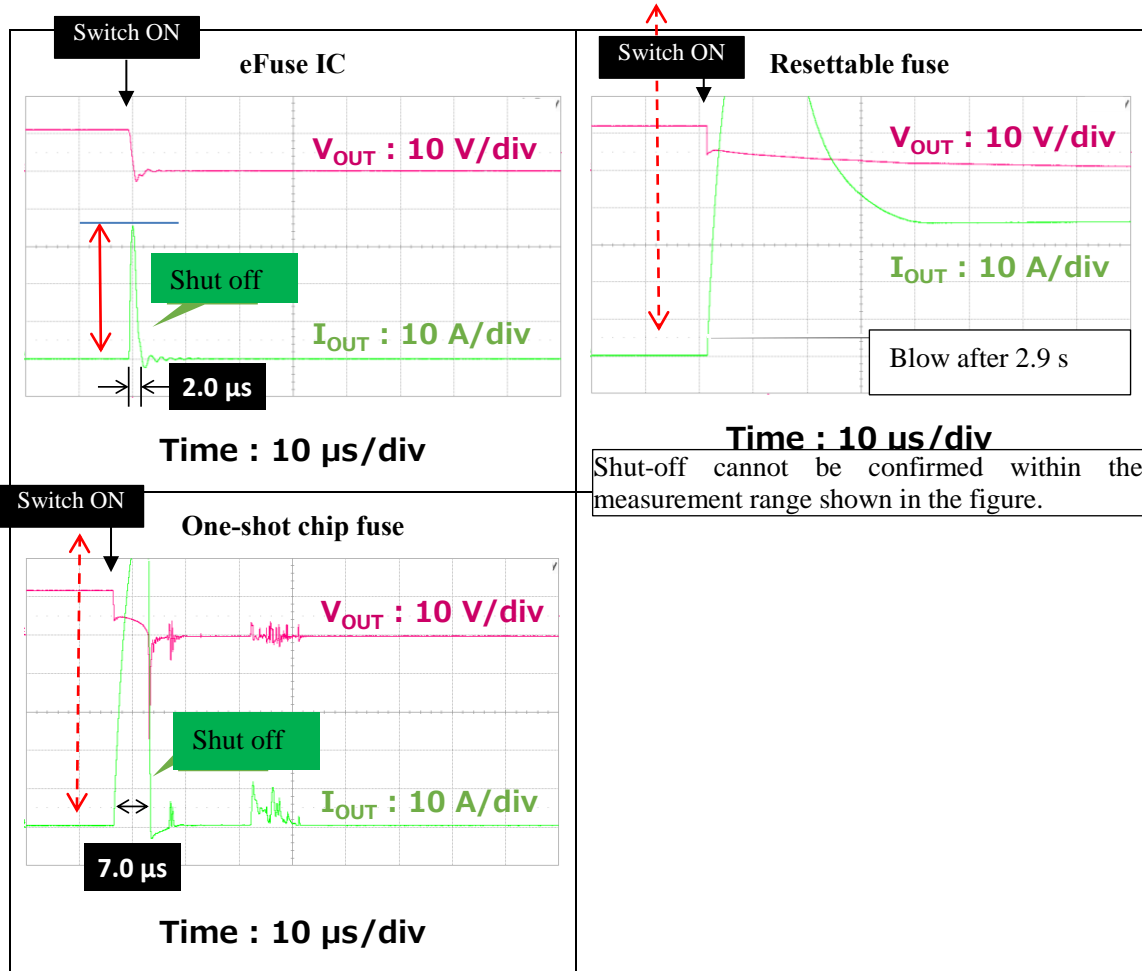


Fig.12 Evaluation results of short-circuit current of various fuses

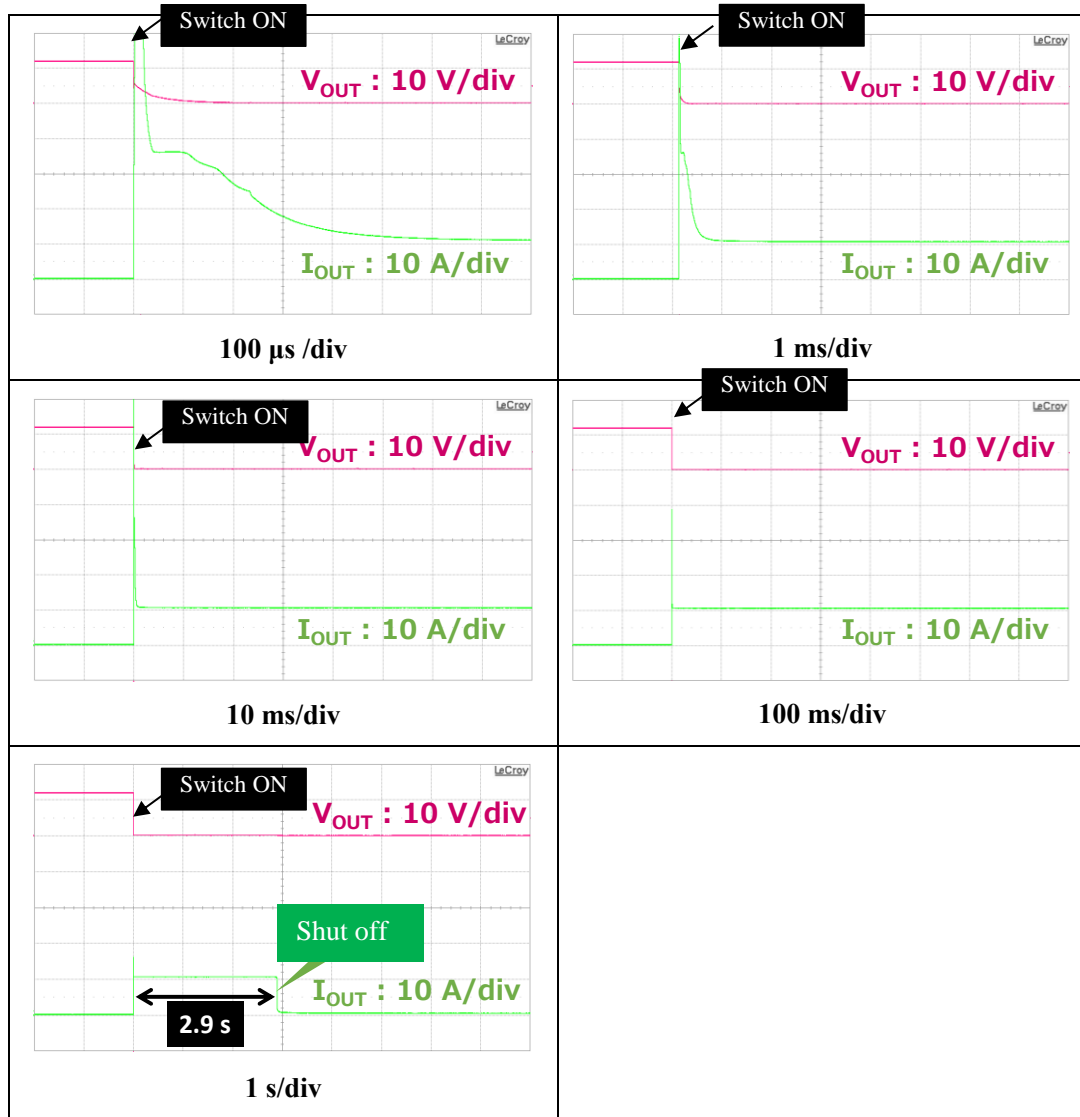


Fig.13 Evaluation result of widening the time axis of the Resettable fuse

11

Table 3 Results of Short Circuit Protection Evaluation for Various Fuses3

	eFuse IC	Resettable fuse	One-shot chip fuse
Protection function operation time	2.0 $\mu$ s	2.9 s	7.0 $\mu$ s
Output maximum current	35 A	> 70 A	> 70 A

From the above, we were able to confirm that both eFuse IC and conventional fuses cut off the current path. eFuse IC is ideal when you want to suppress the maximum current value on the output side as low as possible in a shorter time when a short circuit occurs.

**5.3 [Supplement] Enhancements to IC protection (Addition of Schottky Barrier Diode (CUHS20S30))**

After eFuse IC's short-circuit protection function is activated, a negative spike voltage may occur in the VOUT. This is because when a large current flows into eFuse IC, if the path is cut off and VOUT decreases rapidly, a negative spike-voltage is generated at the output-side due to the back electromotive force of the inductance component of the wiring.

Negative spike voltage generation may lead to malfunction of the subsequent IC or product destruction.

To suppress this negative spike-voltage, a Schottky barrier diode (SBD:CUHS20S30) was connected to the output to evaluate the short-circuit characteristics. The evaluation circuit is shown in Figure 14. Fig.14 Short-circuit protection evaluation circuit of eFuse IC with SBD connected to the output side

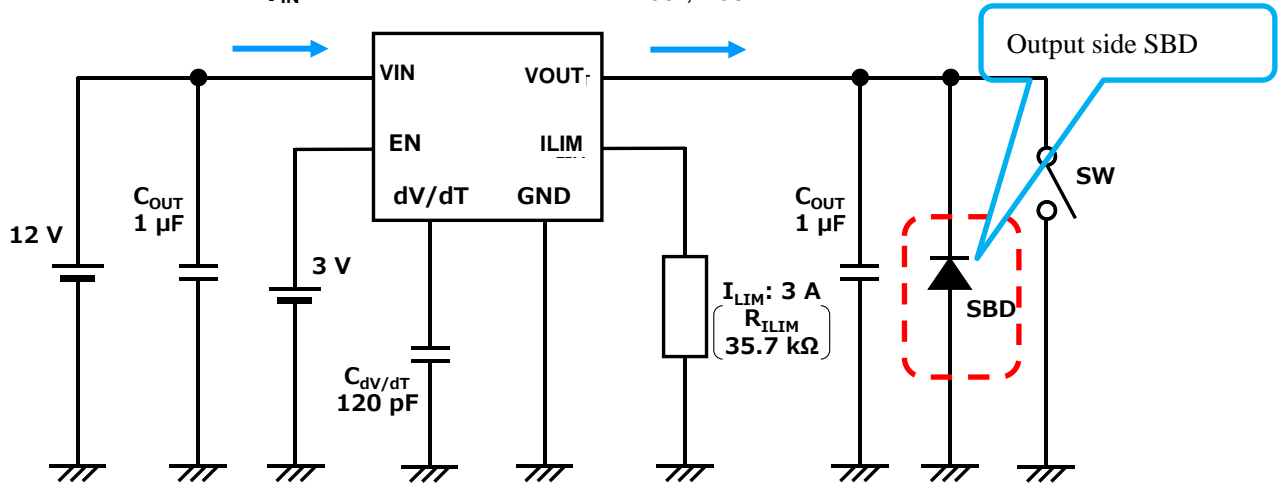


Fig.14 Short-circuit protection evaluation circuit of eFuse IC with SBD connected to the output side

<Evaluation Results>

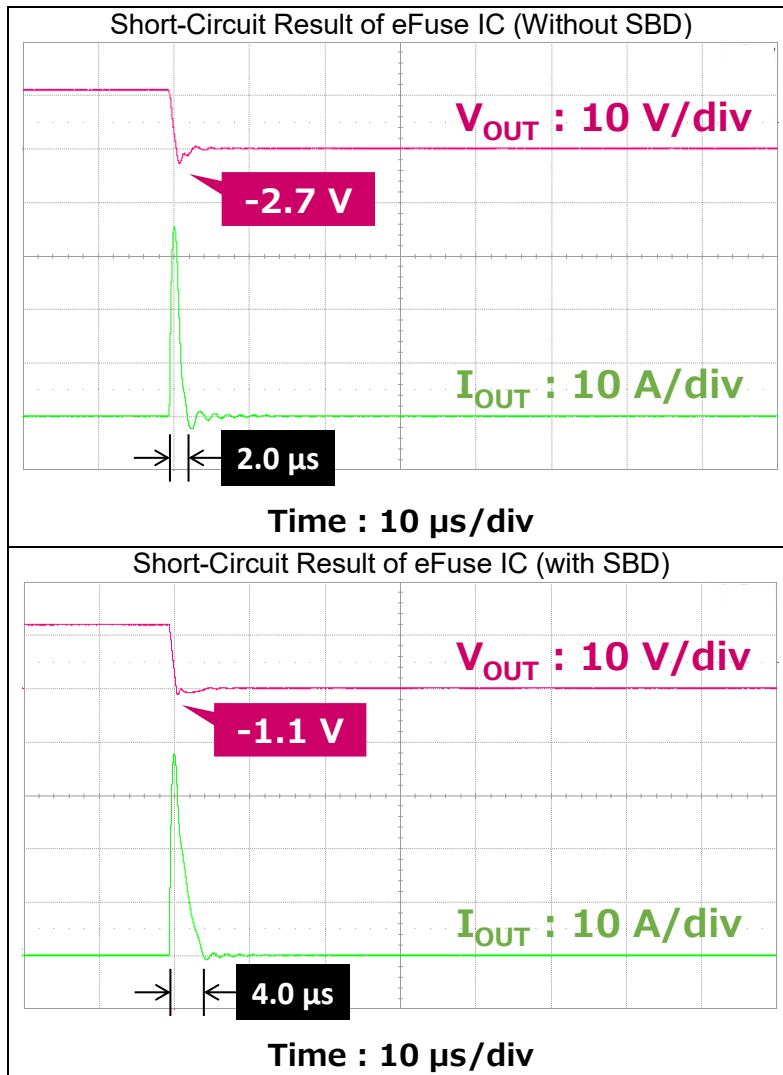
Figure 15 shows the results of the comparison evaluation with and without the output-side SBD. Fig.15 Evaluated short-circuit current of eFuse IC (with/without SBD)13

Without the SBD (above figure in Figure 15: When the SBD is not connected to the fuse output side),  $V_{OUT}$  has a negative spike voltage of -2.7 V.

On the other hand, when the SBD is present (Fig. 15 below: When connected to the fuse output side), the negative spike voltage of  $V_{OUT}$  is -1.1 V, which indicates that it is suppressed.

However, the time from the short-circuit state to shutting off the current path was 2.0  $\mu$ s without SBD, but it was around 4.0  $\mu$ s with SBD.

This is considered to be the effect of the SBD becoming a capacitance component.



**Fig.15 Evaluated short-circuit current of eFuse IC (with/without SBD)13**

Introduction to Schottky Barrier Diodes (SBDs)

[Click Here](#)

Schottky Barrier Diode (SBD) CUHS20S30 product info

[Click Here](#)

## 6.Summary

We evaluated the overcurrent protection and short-circuit protection characteristics of the conventional fuse (rated current is 3 A) and the eFuse IC ([TCKE812NL](#)) whose  $I_{LIM}$  is set to 3 A.

The results obtained from this evaluation are shown in Table 5. Table 4 Summary of Evaluation Results4  
eFuse IC can shut off the current path instantaneously at all times when overcurrent is 5 A or 10 A or short circuit, and it has been confirmed that it is safer than conventional fuses as a protection device against overcurrent.

Conventional fuses are also considered to have sufficient protection characteristics if the breaking time is within the allowable range.

**Table 4 Summary of Evaluation Results4**

	eFuse IC	Resettable fuse	One-shot chip fuse
During overcurrent, Fuse operation	5 A : <b>shut-off</b> 10 A : <b>shut-off</b>	5 A : <b>Continuity</b> 10 A : <b>shut-off</b>	5 A : <b>Continuity</b> 10 A : <b>shut-off</b>
During a short circuit Protective operation time	<b>2.0 μs</b>	<b>2.9 s</b>	<b>7.0 μs</b>
During a short circuit Output maximum current	<b>35 A</b>	<b>&gt; 70 A</b>	<b>&gt; 70 A</b>

Now that product safety is strongly required, eFuse ICs are considered to be a promising candidate for fuse selection, considering a variety of protection functions, total mounting area including those functions, and high-speed protection properties.

In this document, we compared and evaluated the protection characteristics of eFuse ICs and conventional fuses. The eFuse ICs is a very effective product for protecting the subsequent circuit (electronic device) when connecting wiring while the power is on, such as when inserting or removing hot wires.

When using eFuse ICs, please refer to this application note and consider our lineup.

- Parametric search of eFuse ICs is here → [Click Here](#)
- Click here for eFuse ICs introduction pages → [Click Here](#)
- FAQ of eFuse ICs is here → [Click Here](#)
- E-learning of eFuse ICs is here → [Click Here](#)
- To purchase eFuse ICs, please refer to this → [Click Here](#)
- Parametric search of Schottky diodes (SBDs). → [Click Here](#)
- Introduction to Schottky Diodes (SBDs) → [Click Here](#)
- FAQ of diodes is here. → [Click Here](#)
- To purchase Schottky Diodes (SBDs), → [Click Here](#)

\*The company name, product name, and service name may be used by each company as a trademark.

## RESTRICTIONS ON PRODUCT USE

Toshiba Corporation and its subsidiaries and affiliates are collectively referred to as "TOSHIBA". Hardware, software and systems described in this document are collectively referred to as "Product".

- TOSHIBA reserves the right to make changes to the information in this document and related Product without notice.
- This document and any information herein may not be reproduced without prior written permission from TOSHIBA. Even with TOSHIBA's written permission, reproduction is permissible only if reproduction is without alteration/omission.
- Though TOSHIBA works continually to improve Product's quality and reliability, Product can malfunction or fail. Customers are responsible for complying with safety standards and for providing adequate designs and safeguards for their hardware, software and systems which minimize risk and avoid situations in which a malfunction or failure of Product could cause loss of human life, bodily injury or damage to property, including data loss or corruption. Before customers use the Product, create designs including the Product, or incorporate the Product into their own applications, customers must also refer to and comply with (a) the latest versions of all relevant TOSHIBA information, including without limitation, this document, the specifications, the data sheets and application notes for Product and the precautions and conditions set forth in the "TOSHIBA Semiconductor Reliability Handbook" and (b) the instructions for the application with which the Product will be used with or for. Customers are solely responsible for all aspects of their own product design or applications, including but not limited to (a) determining the appropriateness of the use of this Product in such design or applications; (b) evaluating and determining the applicability of any information contained in this document, or in charts, diagrams, programs, algorithms, sample application circuits, or any other referenced documents; and (c) validating all operating parameters for such designs and applications. **TOSHIBA ASSUMES NO LIABILITY FOR CUSTOMERS' PRODUCT DESIGN OR APPLICATIONS.**
- **PRODUCT IS NEITHER INTENDED NOR WARRANTED FOR USE IN EQUIPMENTS OR SYSTEMS THAT REQUIRE EXTRAORDINARILY HIGH LEVELS OF QUALITY AND/OR RELIABILITY, AND/OR A MALFUNCTION OR FAILURE OF WHICH MAY CAUSE LOSS OF HUMAN LIFE, BODILY INJURY, SERIOUS PROPERTY DAMAGE AND/OR SERIOUS PUBLIC IMPACT ("UNINTENDED USE").** Except for specific applications as expressly stated in this document, Unintended Use includes, without limitation, equipment used in nuclear facilities, equipment used in the aerospace industry, lifesaving and/or life supporting medical equipment, equipment used for automobiles, trains, ships and other transportation, traffic signaling equipment, equipment used to control combustions or explosions, safety devices, elevators and escalators, and devices related to power plant. **IF YOU USE PRODUCT FOR UNINTENDED USE, TOSHIBA ASSUMES NO LIABILITY FOR PRODUCT.** For details, please contact your TOSHIBA sales representative or contact us via our website.
- Do not disassemble, analyze, reverse-engineer, alter, modify, translate or copy Product, whether in whole or in part.
- Product shall not be used for or incorporated into any products or systems whose manufacture, use, or sale is prohibited under any applicable laws or regulations.
- The information contained herein is presented only as guidance for Product use. No responsibility is assumed by TOSHIBA for any infringement of patents or any other intellectual property rights of third parties that may result from the use of Product. No license to any intellectual property right is granted by this document, whether express or implied, by estoppel or otherwise.
- **ABSENT A WRITTEN SIGNED AGREEMENT, EXCEPT AS PROVIDED IN THE RELEVANT TERMS AND CONDITIONS OF SALE FOR PRODUCT, AND TO THE MAXIMUM EXTENT ALLOWABLE BY LAW, TOSHIBA (1) ASSUMES NO LIABILITY WHATSOEVER, INCLUDING WITHOUT LIMITATION, INDIRECT, CONSEQUENTIAL, SPECIAL, OR INCIDENTAL DAMAGES OR LOSS, INCLUDING WITHOUT LIMITATION, LOSS OF PROFITS, LOSS OF OPPORTUNITIES, BUSINESS INTERRUPTION AND LOSS OF DATA, AND (2) DISCLAIMS ANY AND ALL EXPRESS OR IMPLIED WARRANTIES AND CONDITIONS RELATED TO SALE, USE OF PRODUCT, OR INFORMATION, INCLUDING WARRANTIES OR CONDITIONS OF MERCHANTABILITY, FITNESS FOR A PARTICULAR PURPOSE, ACCURACY OF INFORMATION, OR NONINFRINGEMENT.**
- Do not use or otherwise make available Product or related software or technology for any military purposes, including without limitation, for the design, development, use, stockpiling or manufacturing of nuclear, chemical, or biological weapons or missile technology products (mass destruction weapons). Product and related software and technology may be controlled under the applicable export laws and regulations including, without limitation, the Japanese Foreign Exchange and Foreign Trade Law and the U.S. Export Administration Regulations. Export and re-export of Product or related software or technology are strictly prohibited except in compliance with all applicable export laws and regulations.
- Please contact your TOSHIBA sales representative for details as to environmental matters such as the RoHS compatibility of Product. Please use Product in compliance with all applicable laws and regulations that regulate the inclusion or use of controlled substances, including without limitation, the EU RoHS Directive. **TOSHIBA ASSUMES NO LIABILITY FOR DAMAGES OR LOSSES OCCURRING AS A RESULT OF NONCOMPLIANCE WITH APPLICABLE LAWS AND REGULATIONS.**

Toshiba Electronic Devices & Storage Corporation

<https://toshiba.semicon-storage.com/>