

TMPM342FYXBG



The microcontroller incorporates 7.5-channel motor driver and Image correction control engine suitable for single-reflex camera lenses.

Features

ARM® Cortex®-M3 CPU Core

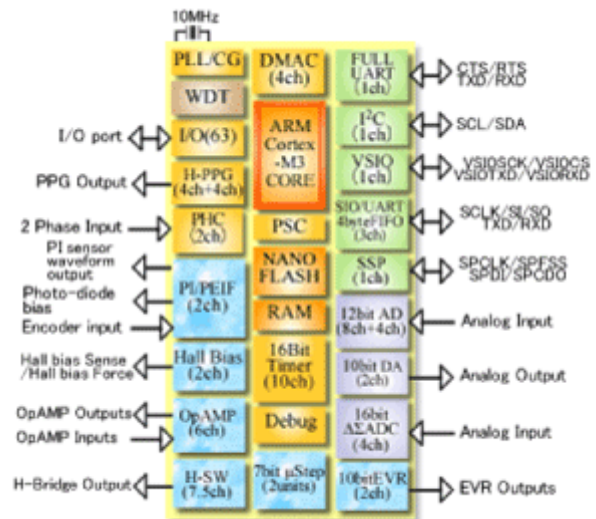
- ▶ Operating voltage:
2.7 to 3.6V (on-chip regulator)
- ▶ Maximum Operating frequency:
40 MHz
- ▶ On-chip debug circuit:
SWD, SWV or 2-bit trace interface
- ▶ Power saving operation
Clock gear
Standby modes (IDLE, STOP1, STOP2)

MCD (Motor Control Driver) part

- ▶ Operating voltage:
3.1 to 3.5V (Analog power supply)
2.5 to 5.5V (Motor power supply)

Built-in Functions

- ▶ Programmable Servo/Sequence Controller (PSC)
- ▶ 2-phase pulse counter (PHC) : 2 channels
- ▶ High resolution 16-bit timer / PPG output : 2 units (4 + 4 channels)
- ▶ DMA controller : 4 channels
- ▶ I/O ports : 43 pins
Input ports : 20 pins
- ▶ 16-bit $\Delta\Sigma$ AD converter : 1 unit, 4 channel differential
- ▶ 12-bit AD converter : 8 + 4 channels (2 units)
- ▶ 10-bit DA converter : 2 channels
- ▶ 16-bit timer : 10 channels
- ▶ SIO/UART : 3 channels
(1 channel is the same terminal as VSIO)
- ▶ Variable data length serial interface (VSIO): 1 channel
- ▶ I²C : 1 channel
- ▶ SSP : 1 channel
- ▶ FULL UART : 1 channel



Memory Size

Part number	ROM (Flash)	RAM
TMPM342FYXBG	256 Kbytes	36 Kbytes(note1)

(note1): RAM size includes a main RAM(32Kbytes) and PSC RAM(4Kbytes).

MCD part

- ▶ H-SW Driver : 7.5ch (includes 7bit μ Step 2units)
- ▶ Hall Bias Control : 2 channels
- ▶ OpAmp : 6 channels
- ▶ PI/PE I/F : 2 channels
- ▶ 10bit EVR : 2 channels

* ARM and Cortex are the registered trademarks of ARM Limited in the EU and other countries.
* NANO FLASH is a trademark of Toshiba Corporation.

Package Information

Pin Assignments

	1	2	3	4	5	6	7	8	9	10	11	12	13
A	MODE	DAVSS	ADB VDD3	ADA VREFH	DA VREFH	DVDD 3_A	OP4NIN	OP0NIN	OP1NIN	OP5NIN	OP2NIN	OP3NIN	PH0
B	ADAVSS	PF7	PF5	PF3	PF1	ADA VDD3, DAVDD3	OP4PIN	OP0PIN	OP1PIN	OP5PIN	OP2PIN	OP3PIN	HB0F
C	PJ0	PJ4	PF6	PF4	PF2	PF0	OP4OUT	OP0OUT	OP1OUT	OP5OUT	OP2OUT	OP3OUT	HB1F
D	PJ1	PJ5	PG3	PG2	PG1	PG0	EVR0	DAOUTB	DAOUTA	EVR1	PB1	PB0	VM2
E	PJ2	PJ6	RESET	—	—	—	—	—	—	HB0S	PB2	CO2	CO1
F	PJ3	PJ7	—	PE0	—	—	—	—	—	HB1S	PB3	DO2	DO1
G	ADC REF02 OUT	ADC VREFH OUT	EFUSE	PE1	—	—	—	—	—	PB4	PH5	EO1	PGND2
H	ADB VSS, ADCVSS	ADC VREFL OUT	PE3	PE2	—	—	—	—	—	PB5	PB6	EO2	FO1
J	ADB VREFH, ADC VDD3	DVSS_A	PE4	PD7	—	—	—	—	—	PB7	PH4	GO1	FO2
K	V30IN	PD4	PD2	PD3	PC6	PC4	ENC OUT0	PICP IN1	PA6	PA7	PH3	GO2	VM3
L	PD0	PC0	PC2	PC3	PC7	PC5	ENC OUT1	PICP IN0	PA4	PA5	PH2	GO3	RNF3
M	PD6	PD5	PD1	PC1	DVSS_B	DVDD 3_B	PIDBA	PIDBB	PA2	PA3	BO2	AO2	PGND1
N	PH1	X2	DVSS_C	X1	AVSS_C	AVDD 3_C	RVDD3	PA0	PA1	VM1	BO1	AO1	FTEST3

Package : VFBGA142 (7 × 7 mm)

» For further information about Toshiba microcomputers and Toshiba microcomputer development systems, please visit <http://www.semicon.toshiba.co.jp/eng/product/micro/index.html>

- Toshiba Corporation, and its subsidiaries and affiliates (collectively "TOSHIBA"), reserve the right to make changes to the information in this document, and related hardware, software and systems (collectively "Product") without notice.
- This document and any information herein may not be reproduced without prior written permission from TOSHIBA. Even with TOSHIBA's written permission, reproduction is permissible only if reproduction is without alteration/omission.
- Though TOSHIBA works continually to improve Product's quality and reliability, Product can malfunction or fail. Customers are responsible for complying with safety standards and for providing adequate designs and safeguards for their hardware, software and systems which minimize risk and avoid situations in which a malfunction or failure of Product could cause loss of human life, bodily injury or damage to property, including data loss or corruption. Before customers use the Product, create designs including the Product, or incorporate the Product into their own applications, customers must also refer to and comply with (a) the latest versions of all relevant TOSHIBA information, including without limitation, this document, the specifications, the data sheets and application notes for Product and the precautions and conditions set forth in the "TOSHIBA Semiconductor Reliability Handbook" and (b) the instructions for the application with which the Product will be used with or for. Customers are solely responsible for all aspects of their own product design or applications, including but not limited to (a) determining the appropriateness of the use of this Product in such design or applications; (b) evaluating and determining the applicability of any information contained in this document, or in charts, diagrams, programs, algorithms, sample application circuits, or any other referenced documents; and (c) validating all operating parameters for such designs and applications. **TOSHIBA ASSUMES NO LIABILITY FOR CUSTOMERS' PRODUCT DESIGN OR APPLICATIONS.**
- **PRODUCT IS NEITHER INTENDED NOR WARRANTED FOR USE IN EQUIPMENTS OR SYSTEMS THAT REQUIRE EXTRAORDINARILY HIGH LEVELS OF QUALITY AND/OR RELIABILITY, AND/OR A MALFUNCTION OR FAILURE OF WHICH MAY CAUSE LOSS OF HUMAN LIFE, BODILY INJURY, SERIOUS PROPERTY DAMAGE AND/OR SERIOUS PUBLIC IMPACT ("UNINTENDED USE").** Except for specific applications as expressly stated in this document, Unintended Use includes, without limitation, equipment used in nuclear facilities, equipment used in the aerospace industry, medical equipment, equipment used for automobiles, trains, ships and other transportation, traffic signaling equipment, equipment used to control combustions or explosions, safety devices, elevators and escalators, devices related to electric power, and equipment used in finance-related fields. **IF YOU USE PRODUCT FOR UNINTENDED USE, TOSHIBA ASSUMES NO LIABILITY FOR PRODUCT.** For details, please contact your TOSHIBA sales representative.
- Do not disassemble, analyze, reverse-engineer, alter, modify, translate or copy Product, whether in whole or in part.
- Product shall not be used for or incorporated into any products or systems whose manufacture, use, or sale is prohibited under any applicable laws or regulations.
- The information contained herein is presented only as guidance for Product use. No responsibility is assumed by TOSHIBA for any infringement of patents or any other intellectual property rights of third parties that may result from the use of Product. No license to any intellectual property right is granted by this document, whether express or implied, by estoppel or otherwise.
- **ABSENT A WRITTEN SIGNED AGREEMENT, EXCEPT AS PROVIDED IN THE RELEVANT TERMS AND CONDITIONS OF SALE FOR PRODUCT, AND TO THE MAXIMUM EXTENT ALLOWABLE BY LAW, TOSHIBA (1) ASSUMES NO LIABILITY WHATSOEVER, INCLUDING WITHOUT LIMITATION, INDIRECT, CONSEQUENTIAL, SPECIAL, OR INCIDENTAL DAMAGES OR LOSS, INCLUDING WITHOUT LIMITATION, LOSS OF PROFITS, LOSS OF OPPORTUNITIES, BUSINESS INTERRUPTION AND LOSS OF DATA, AND (2) DISCLAIMS ANY AND ALL EXPRESS OR IMPLIED WARRANTIES AND CONDITIONS RELATED TO SALE, USE OF PRODUCT, OR INFORMATION, INCLUDING WARRANTIES OR CONDITIONS OF MERCHANTABILITY, FITNESS FOR A PARTICULAR PURPOSE, ACCURACY OF INFORMATION, OR NON-INFRINGEMENT.**
- Do not use or otherwise make available Product or related software or technology for any military purposes, including without limitation, for the design, development, use, stockpiling or manufacturing of nuclear, chemical, or biological weapons or missile technology products (mass destruction weapons). Product and related software and technology may be controlled under the applicable export laws and regulations including, without limitation, the Japanese Foreign Exchange and Foreign Trade Law and the U.S. Export Administration Regulations. Export and re-export of Product or related software or technology are strictly prohibited except in compliance with all applicable export laws and regulations.
- Please contact your TOSHIBA sales representative for details as to environmental matters such as the RoHS compatibility of Product. Please use Product in compliance with all applicable laws and regulations that regulate the inclusion or use of controlled substances, including without limitation, the EU RoHS Directive. **TOSHIBA ASSUMES NO LIABILITY FOR DAMAGES OR LOSSES OCCURRING AS A RESULT OF NONCOMPLIANCE WITH APPLICABLE LAWS AND REGULATIONS.**

TOSHIBA

TOSHIBA CORPORATION
Semiconductor & Storage Products Company

<http://www.semicon.toshiba.co.jp/eng/>

Copyright © 1995-2014 TOSHIBA CORPORATION, All Rights Reserved.