

3-Phase AC 400 V Input PFC Converter

Reference Guide

RD044-RGUIDE-02

TOSHIBA ELECTRONIC DEVICES & STORAGE CORPORATION

Contents

1. Introduction	3
2. Specifications	3
2.1. Power Supply Specifications	3
2.2. External View of This Power Supply	4
2.3. Block Diagram	5
3. Operating Procedure	6
3.1. Wiring Connection	6
3.2. Connecting to an External Device	6
3.3. Start and Stop Procedures	7
3.4. Evaluation Precautions (Electric Shock, Burn Injury, etc.)	7
4. Power Characteristics	8
4.1. Efficiency	8

1. Introduction

This reference guide describes the specifications, usage, and characteristics of the 3-phase AC 400 V input-compatible PFC power supply (this power supply). This power supply can provide 4 kW at the outgoing DC 750 V. Three-phase AC power supply (312 V to 528 V) is input, and DC 750 V is output in a 3-phase totem pole configuration employing a 1200 V SiC MOSFET. It can be applied to various industrial equipment with 3-phase AC power input, such as charging stations for electric vehicles.

2. Specifications

2.1. Power Supply Specifications

Table 2.1 lists the input and output characteristics of this power supply.

Table 2.1 3-Phase AC 400 V Input PFC Power Supply Specifications

Parameters	Conditions	Minimum	Typical	Maximum	Unit
Input Characteristics					
AC input voltage (line-to-line rms)		312		528	V
AC Input frequency		49.8		60.3	Hz
AC input current (rms)				7.7	A
Output characteristics					
Output voltage		742	750	758	V
Output current				5.3	A
Output power				4000	W
Switching frequency			50		kHz

2.2. External View of This Power Supply

Fig. 2.1 shows the appearance of this power supply.

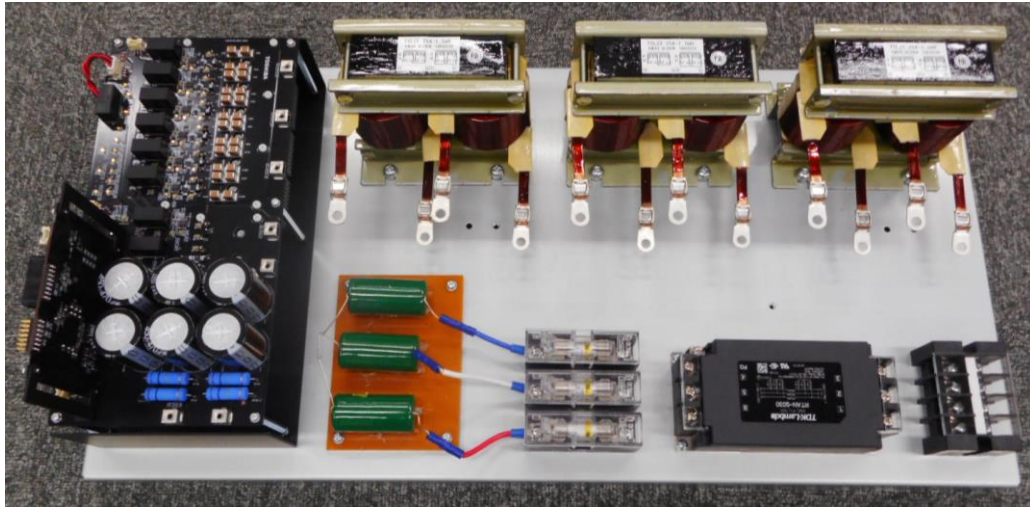


Fig. 2.1 External View of This Power Supply

External Dimensions : 500 mm x 320 mm x 160 mm

2.3. Block Diagram

Fig. 2.2 shows a block diagram to understand the function operation. Fig. 2.2 Block Diagram For actual circuit diagrams, refer to RD044-SCHEMATIC1-01 (main circuit board), RD044-SCHEMATIC2-01 (control board), RD044-BOM1-01_E (main circuit board) and RD044-BOM2-01_E (control board).

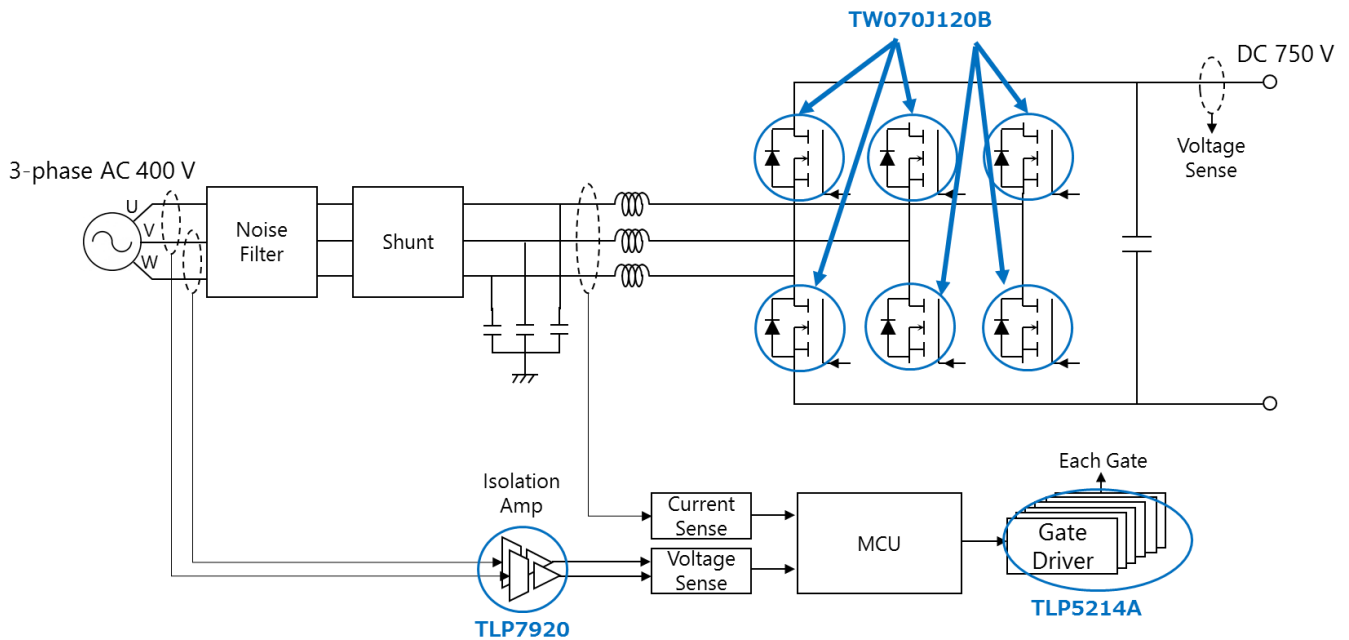


Fig. 2.2 Block Diagram

3. Operating Procedure

3.1. Wiring Connection

Prepare the wiring connections for each part of the power supply according to the connection diagram shown in Fig. 3.1.

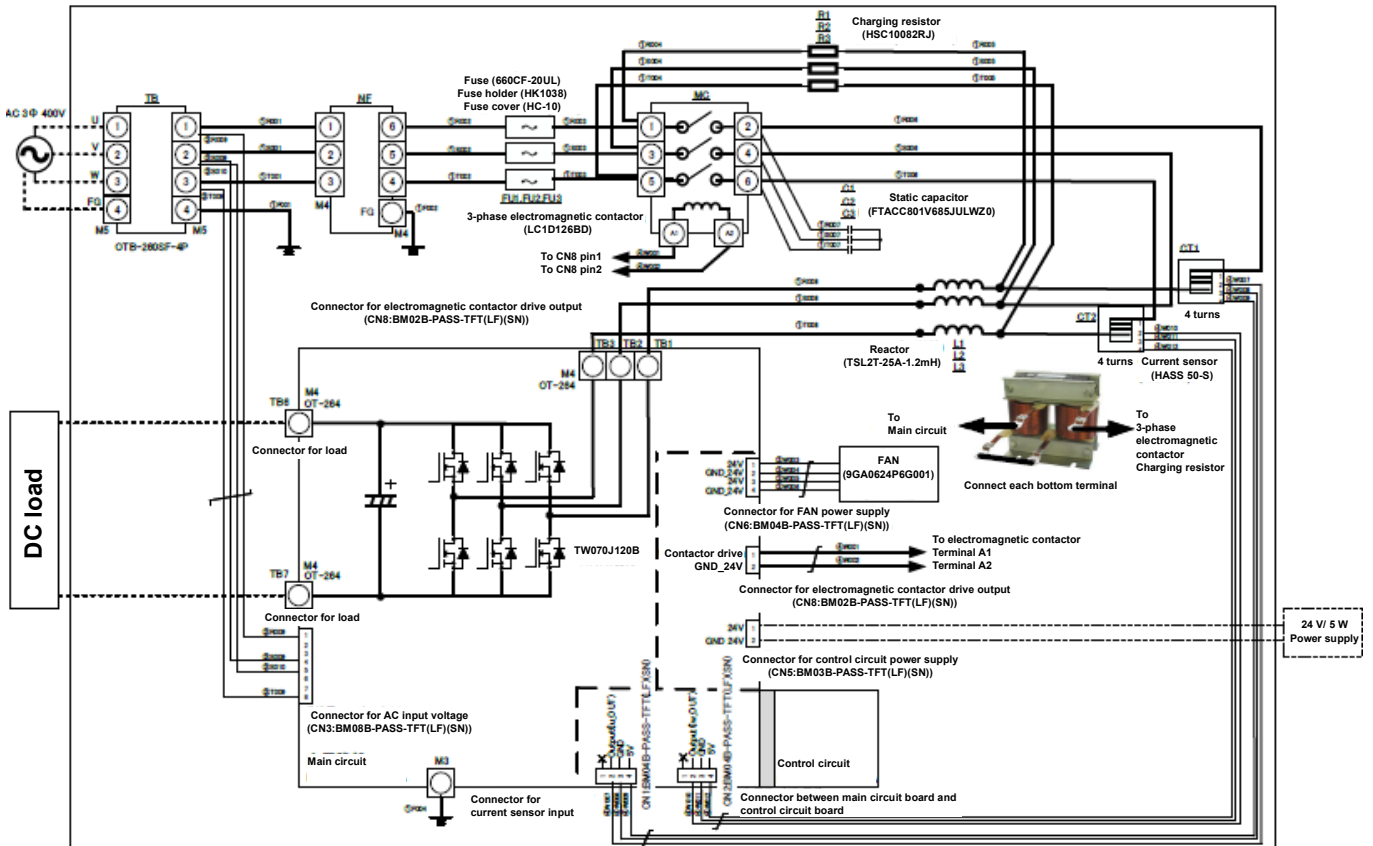


Fig. 3.1 Wiring Connection Diagram

3.2. Connecting to an External Device

Connect a stabilized power supply that outputs 3-phase AC to the input terminal of this power supply and a load unit to the output terminal. Also, connect the 24 V power supply for the control circuit to the control board.

3.3. Start and Stop Procedures

Before starting the power supply, check that the input and output pin voltages are all 0 V.

[Power-up Procedure]

1. Turn on the 24 V power supply for the control circuit.
2. Turn on the stabilized power supply.

[Power-off Procedure]

1. Shut down the stabilized power supply.
2. Stop the 24 V power supply for the control circuit.

3.4. Evaluation Precautions (Electric Shock, Burn Injury, etc.)

Be careful of electric shock when connecting a stabilized power supply. Do not touch each part of the power supply directly while the power is on. Be very careful when observing the waveform. Even after this power supply is stopped, there is a risk of electric shock due to the remained charge of various capacitors. Confirm that the voltage of each part has decreased sufficiently before touching the board.

In addition, the semiconductor or inductor of this power supply generates heat according to the load current. Do not touch each part of the power supply while the power supply is in operation, as there is a risk of burns.

4. Power Characteristics

The power supply efficiency measurement results of this power supply are described below.

4.1. Efficiency

Fig. 4.1 shows the power supply efficiency measurement results of this power supply. The output voltage of the AC stabilized power supply is set to 400 V and measured. The efficiency is as high as 97.3% when the load power is 100%.

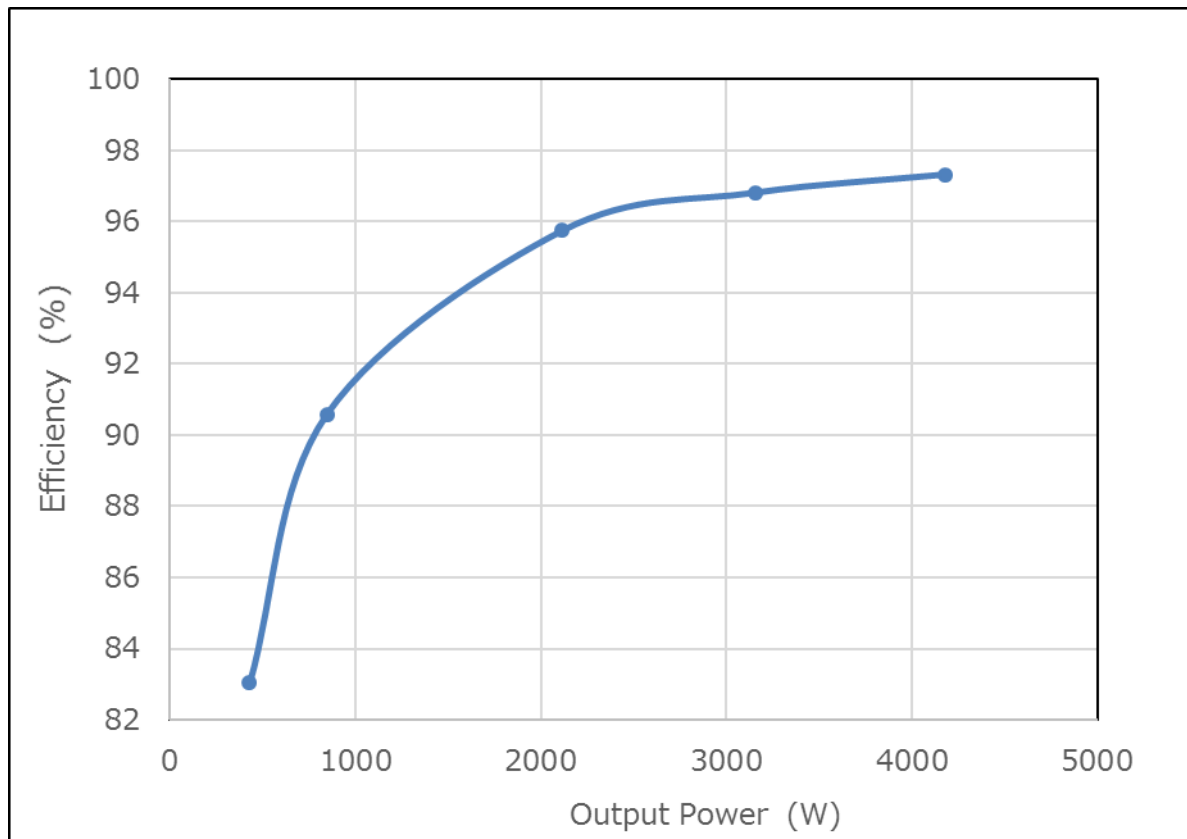


Fig. 4.1 Efficiency Measurement Results (Vin = 400 V)

Terms of Use

This terms of use is made between Toshiba Electronic Devices and Storage Corporation ("We") and customers who use documents and data that are consulted to design electronics applications on which our semiconductor devices are mounted ("this Reference Design"). Customers shall comply with this terms of use. Please note that it is assumed that customers agree to any and all this terms of use if customers download this Reference Design. We may, at its sole and exclusive discretion, change, alter, modify, add, and/or remove any part of this terms of use at any time without any prior notice. We may terminate this terms of use at any time and for any reason. Upon termination of this terms of use, customers shall destroy this Reference Design. In the event of any breach thereof by customers, customers shall destroy this Reference Design, and furnish us a written confirmation to prove such destruction.

1. Restrictions on usage

1. This Reference Design is provided solely as reference data for designing electronics applications. Customers shall not use this Reference Design for any other purpose, including without limitation, verification of reliability.
2. This Reference Design is for customer's own use and not for sale, lease or other transfer.
3. Customers shall not use this Reference Design for evaluation in high or low temperature, high humidity, or high electromagnetic environments.
4. This Reference Design shall not be used for or incorporated into any products or systems whose manufacture, use, or sale is prohibited under any applicable laws or regulations.

2. Limitations

1. We reserve the right to make changes to this Reference Design without notice.
2. This Reference Design should be treated as a reference only. We are not responsible for any incorrect or incomplete data and information.
3. Semiconductor devices can malfunction or fail. When designing electronics applications by referring to this Reference Design, customers are responsible for complying with safety standards and for providing adequate designs and safeguards for their hardware, software and systems which minimize risk and avoid situations in which a malfunction or failure of semiconductor devices could cause loss of human life, bodily injury or damage to property, including data loss or corruption. Customers must also refer to and comply with the latest versions of all relevant our information, including without limitation, specifications, data sheets and application notes for semiconductor devices, as well as the precautions and conditions set forth in the "Semiconductor Reliability Handbook".
4. When designing electronics applications by referring to this Reference Design, customers must evaluate the whole system adequately. Customers are solely responsible for all aspects of their own product design or applications. WE ASSUME NO LIABILITY FOR CUSTOMERS' PRODUCT DESIGN OR APPLICATIONS.
5. No responsibility is assumed by us for any infringement of patents or any other intellectual property rights of third parties that may result from the use of this Reference Design. No license to any intellectual property right is granted by this terms of use, whether express or implied, by estoppel or otherwise.
6. THIS REFERENCE DESIGN IS PROVIDED "AS IS". WE (a) ASSUME NO LIABILITY WHATSOEVER, INCLUDING WITHOUT LIMITATION, INDIRECT, CONSEQUENTIAL, SPECIAL, OR INCIDENTAL DAMAGES OR LOSS, INCLUDING WITHOUT LIMITATION, LOSS OF PROFITS, LOSS OF OPPORTUNITIES, BUSINESS INTERRUPTION AND LOSS OF DATA, AND (b) DISCLAIM ANY AND ALL EXPRESS OR IMPLIED WARRANTIES AND CONDITIONS RELATED TO THIS REFERENCE DESIGN, INCLUDING WARRANTIES OR CONDITIONS OF MERCHANTABILITY, FITNESS FOR A PARTICULAR PURPOSE, ACCURACY OF INFORMATION, OR NONINFRINGEMENT.

3. Export Control

Customers shall not use or otherwise make available this Reference Design for any military purposes, including without limitation, for the design, development, use, stockpiling or manufacturing of nuclear, chemical, or biological weapons or missile technology products (mass destruction weapons). This Reference Design may be controlled under the applicable export laws and regulations including, without limitation, the Japanese Foreign Exchange and Foreign Trade Law and the U.S. Export Administration Regulations. Export and re-export of this Reference Design are strictly prohibited except in compliance with all applicable export laws and regulations.

4. Governing Laws

This terms of use shall be governed and construed by laws of Japan.