

# 1 kW Non-Isolated Buck-Boost DC-DC Converter for Telecommunication Equipment

## Reference Guide

RD211-RGUIDE-01

---

**TOSHIBA ELECTRONIC DEVICES & STORAGE CORPORATION**

## Table of Contents

<b>1. Introduction</b>	<b>3</b>
<b>2. Specifications and Appearance</b>	<b>3</b>
2.1. Power Supply Specifications	3
2.2. Block Diagram	4
2.3. External Appearance	4
2.4. Component Layout	6
<b>3. Schematic, Bill of Material, and PCB Pattern</b>	<b>8</b>
3.1. Schematic	8
3.2. Bill of Material	8
3.3. PCB Pattern	8
<b>4. Operation Procedure</b>	<b>11</b>
4.1. Connection to External Devices	11
4.2. Start Procedure and Stop Procedure	12
4.3. Precautions for Evaluation (To Prevent Electric Shock, Burn Injury, etc.)	13
<b>5. Power Supply Characteristics</b>	<b>14</b>
5.1. Efficiency	14

## 1. Introduction

This reference guide contains specifications, usage, and characteristics of 1 kW Non-Isolated Buck-Boost DC-DC Converter for Telecommunication Equipment (hereafter referred to as this power supply).

This power supply is a 1kW DC-DC converter which takes the typical communication infrastructures voltage of DC -48 V as input and produces output of DC 32 V or 54 V. By adopting a non-isolated inverting buck-boost topology and incorporating our latest-generation power MOSFET as switching devices, we have achieved high-efficiency with compact size. This power supply is published as reference design which provides different kind of design information and contributes to labor saving while designing according to actual specifications.

## 2. Specifications and Appearance

### 2.1. Power Supply Specifications

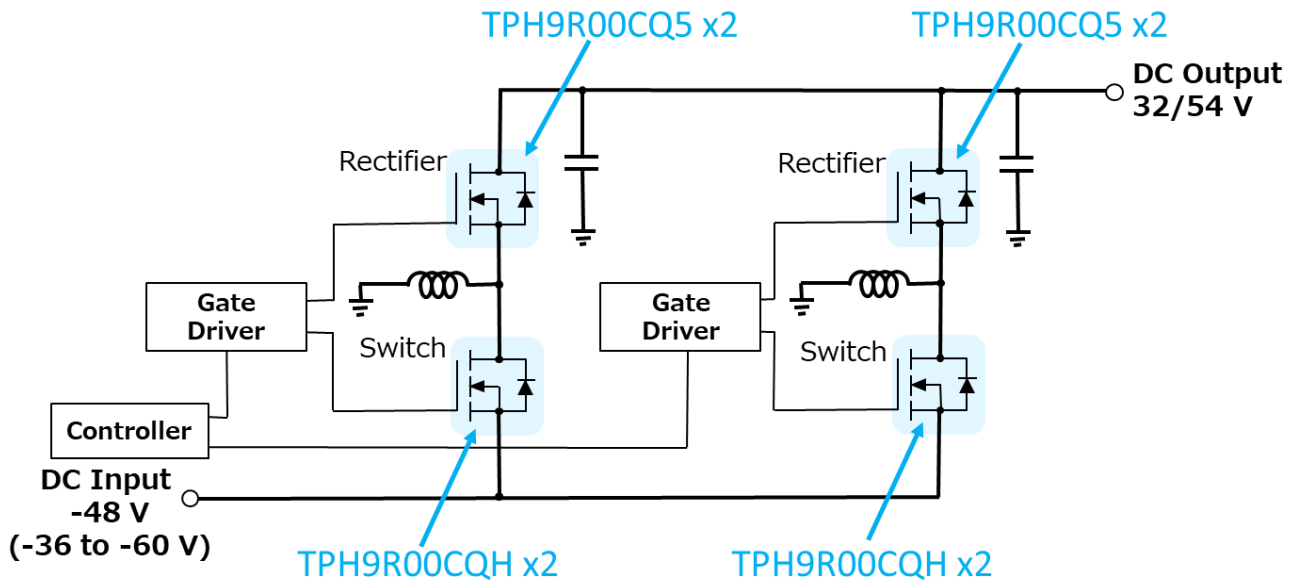
Table 2.1 lists the main specifications of this power supply.

**Table 2.1 Specifications of 1 kW Non-Isolated Buck-Boost DC-DC Converter  
for Telecommunication Equipment**

Item	Conditions	Minimum	Typical	Maximum	Unit
Input Characteristics					
Input Voltage		-60	-54	-36	V
Input Current	When input is DC -36 V			31	A
Output Characteristics (32 V Output)					
Output Voltage		31	32	33	V
Output Current				32.2	A
Output Power				1000	W
Output Ripple Voltage				320	mV
Switching Frequency			150		kHz
Output Characteristics (54 V Output)					
Output Voltage		52.4	54	54.6	V
Output Current				19.1	A
Output Power				1000	W
Output Ripple Voltage				540	mV
Switching Frequency			150		kHz

**2.2. Block Diagram**

Fig. 2.1 shows the block diagram of this power supply.



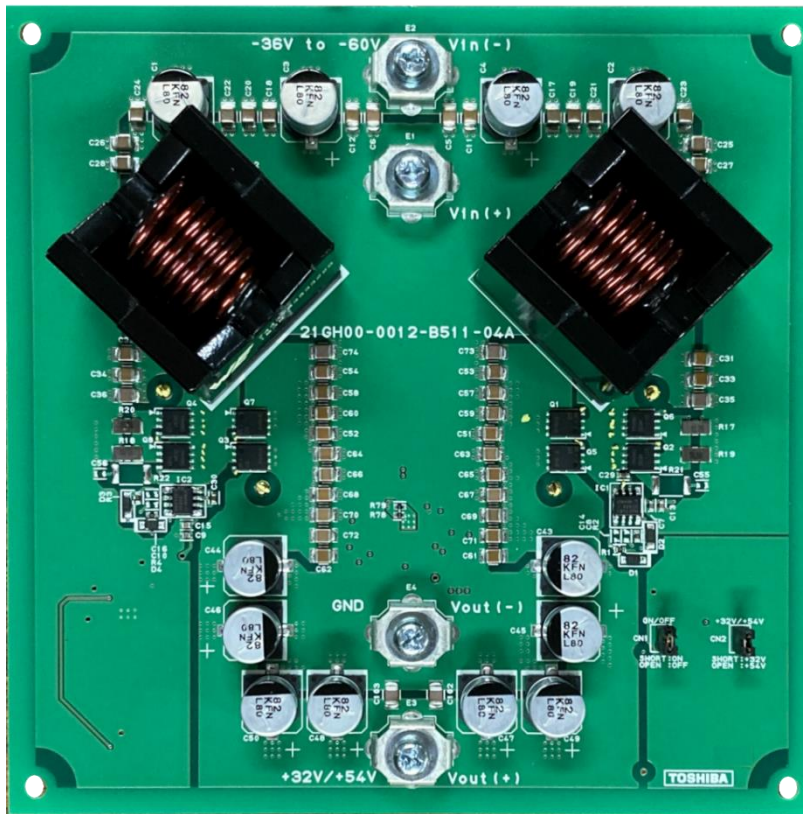
**Fig. 2.1 Block Diagram of 1 kW Non-Isolated Buck-Boost DC-DC Converter for Telecommunication Equipment**

**2.3. External Appearance**

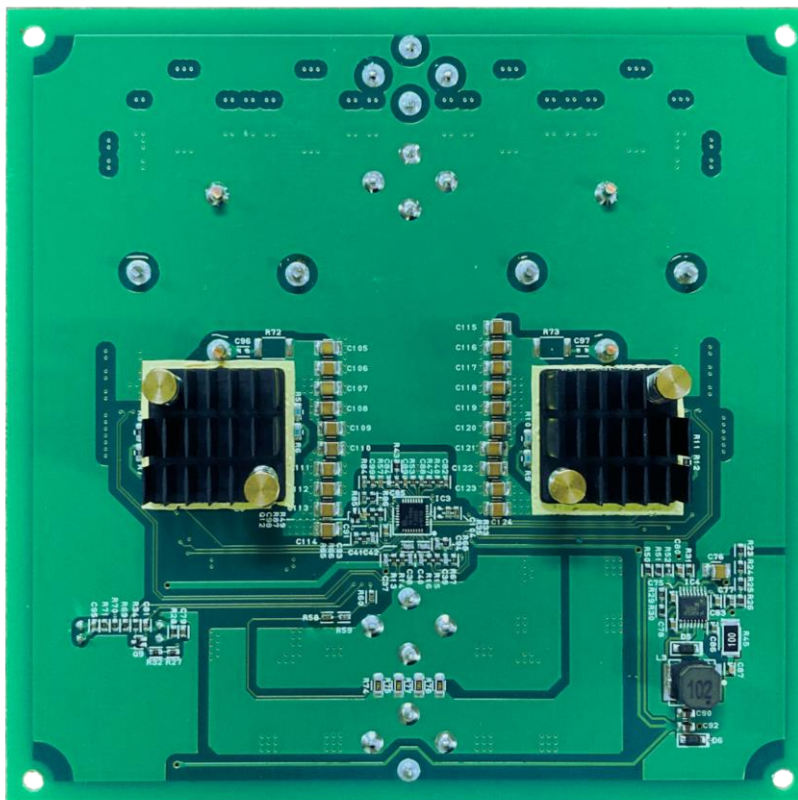
Fig. 2.2, Fig. 2.3 and Fig. 2.4 show the external appearance of this power supply.



**Fig. 2.2 Side View of 1 kW Non-Isolated Buck-Boost DC-DC Converter for Telecommunication Equipment**



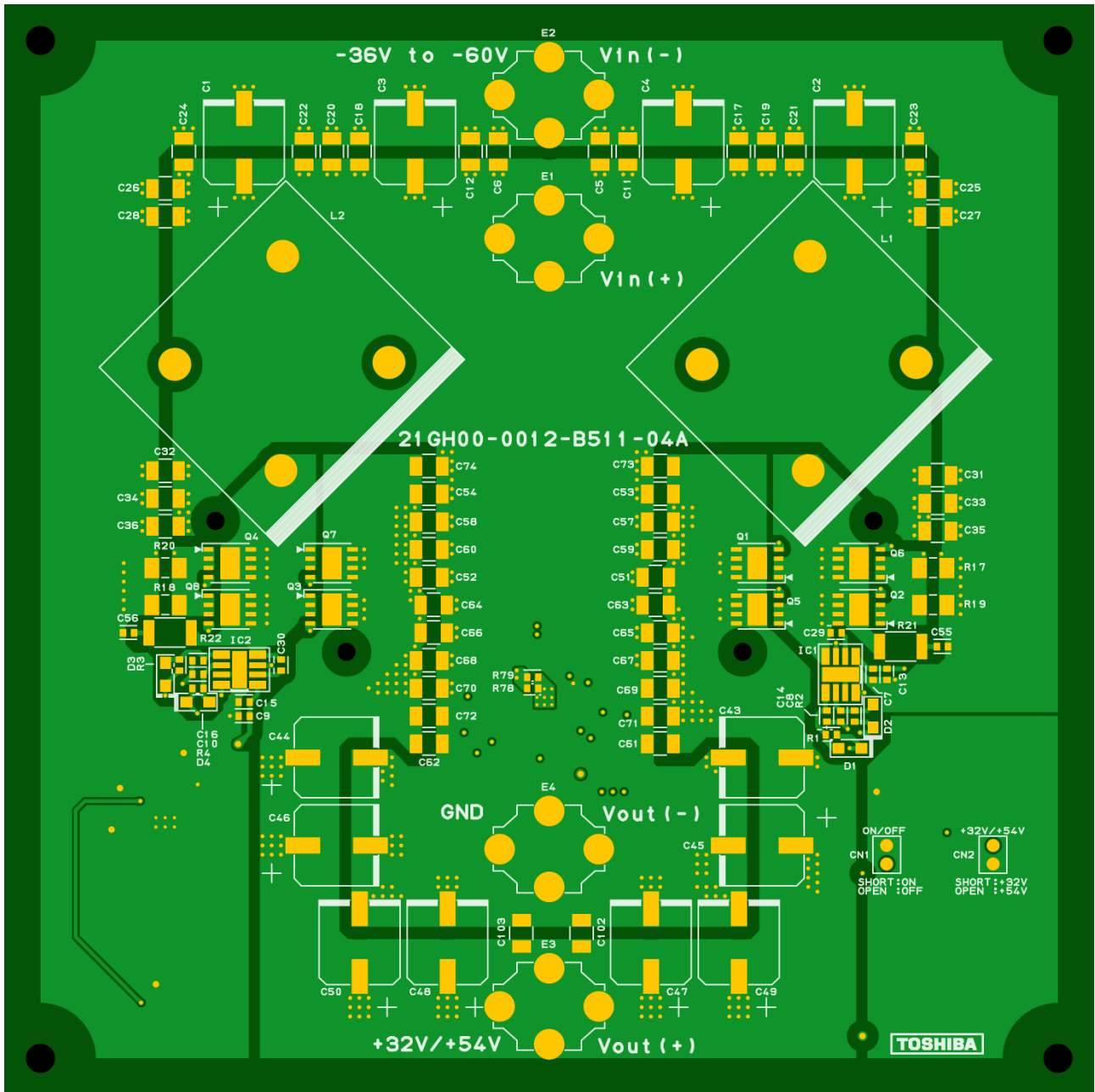
**Fig. 2.3 Front View of 1 kW Non-Isolated Buck-Boost DC-DC Converter for Telecommunication Equipment**



**Fig. 2.4 Back View of 1 kW Non-Isolated Buck-Boost DC-DC Converter for Telecommunication Equipment**

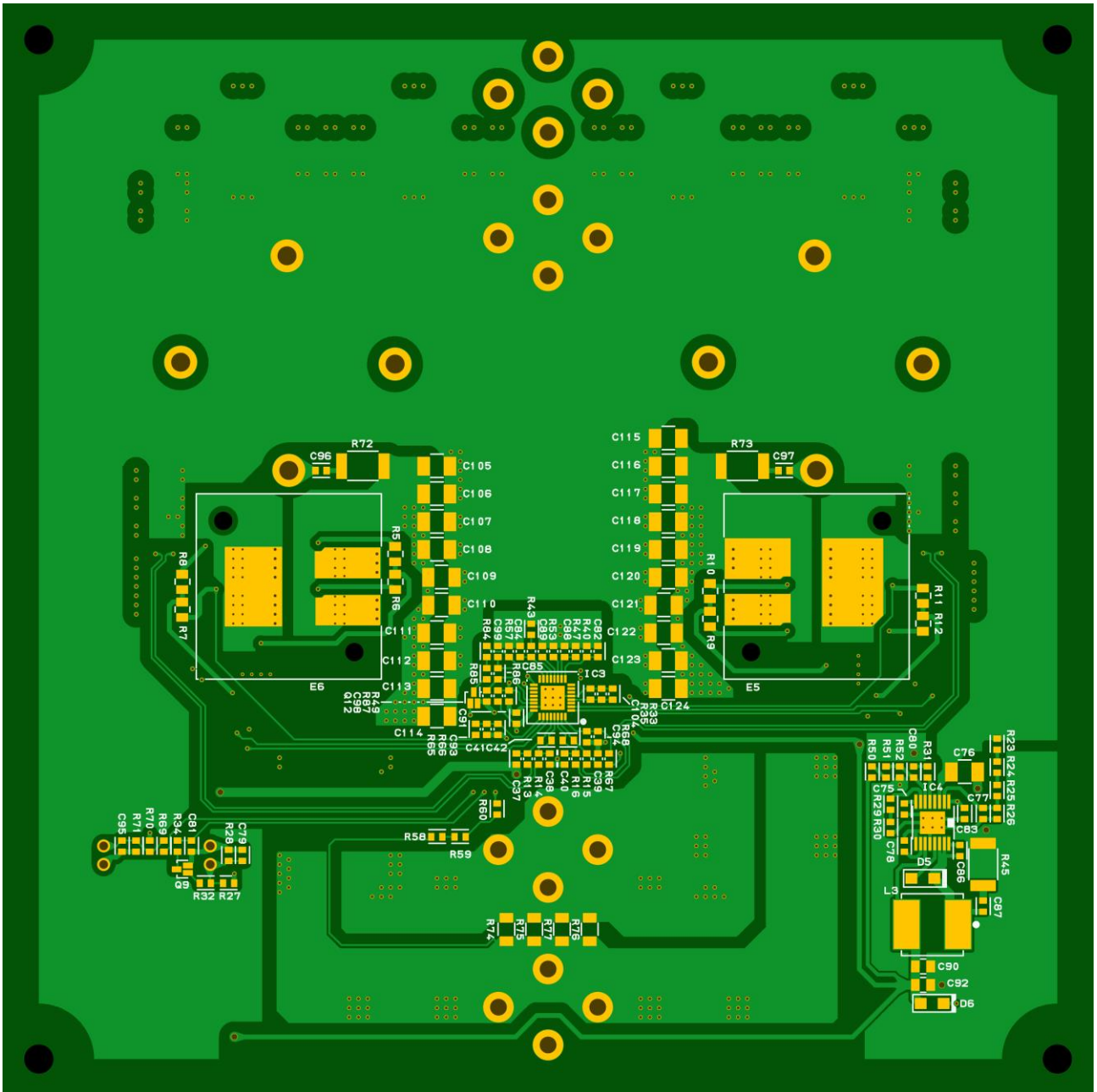
## 2.4. Component Layout

Fig. 2.4 shows the layout of components of this power supply.



<Front>





<Back>

**Fig. 2.5 Component Layout of 1 kW Non-Isolated Buck-Boost DC-DC Converter for Telecommunication Equipment**

## **3. Schematic, Bill of Material, and PCB Pattern**

### **3.1. Schematic**

Refer to the following file for the schematic of this power supply.

RD211-SCHEMATIC-xx.pdf (xx is the revision number)

### **3.2. Bill of Material**

Refer to the following file for the Bill of Material (BOM) of this power supply.

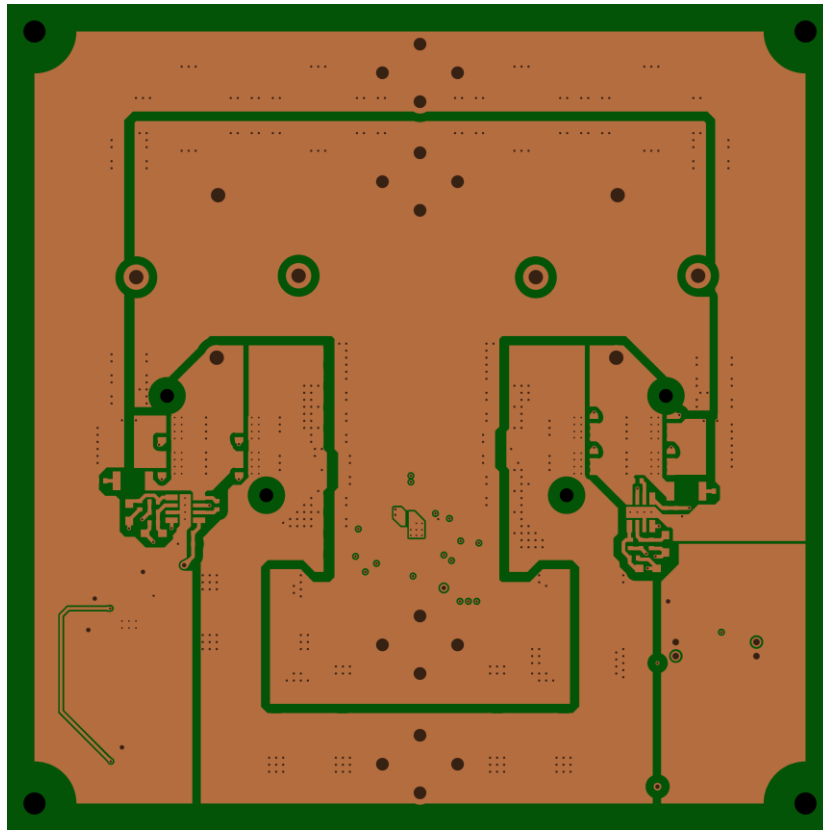
RD211-BOM-xx.pdf (xx is the revision number)

### **3.3. PCB Pattern**

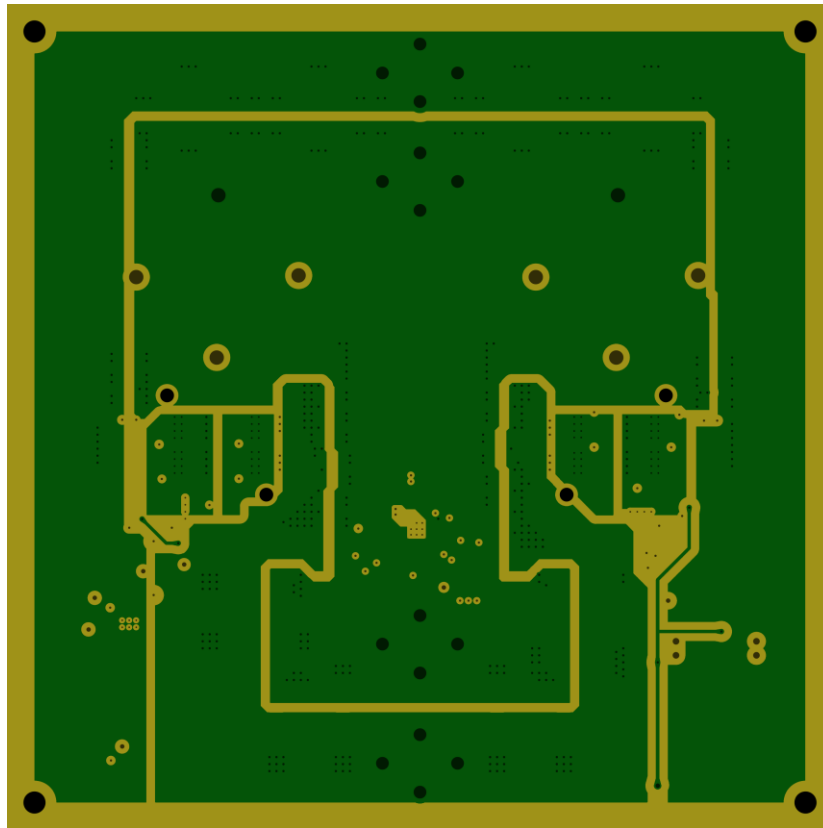
The PCB pattern of the circuit board of this power supply is shown in Fig. 3.1. Also refer to the following file.

RD211-LAYER-xx.pdf (xx is the revision number)

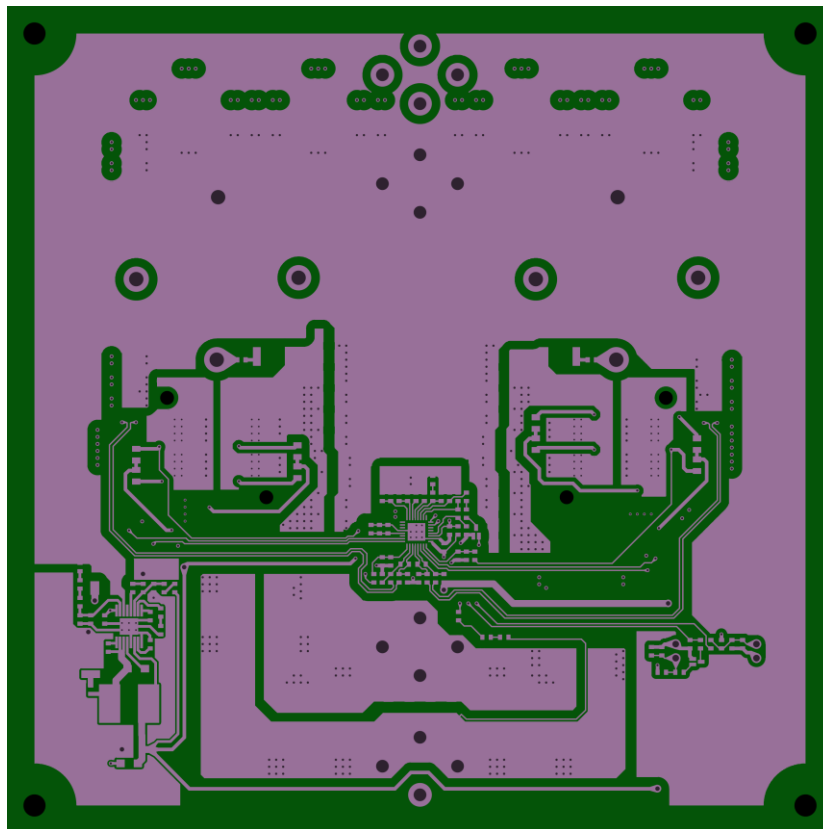




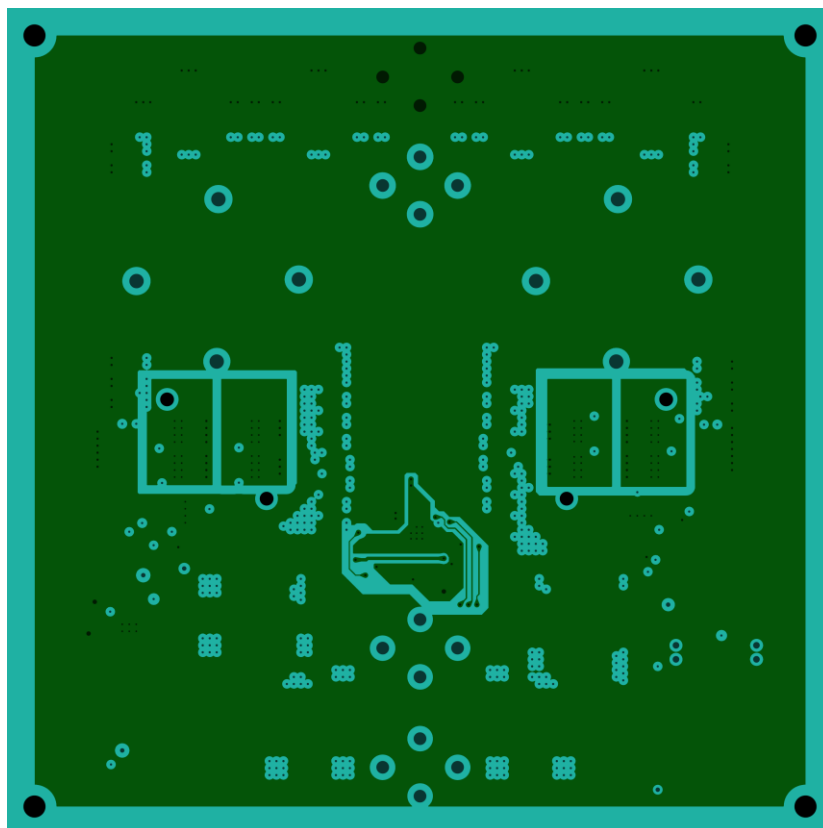
<Layer1 Front side, Front View>



<Layer2, Front View>



<Layer3, Front View>



<Layer4 Back side, Front View>

**Fig. 3.1 PCB Pattern of 1 kW Non-Isolated Buck-Boost DC-DC Converter for Telecommunication Equipment**

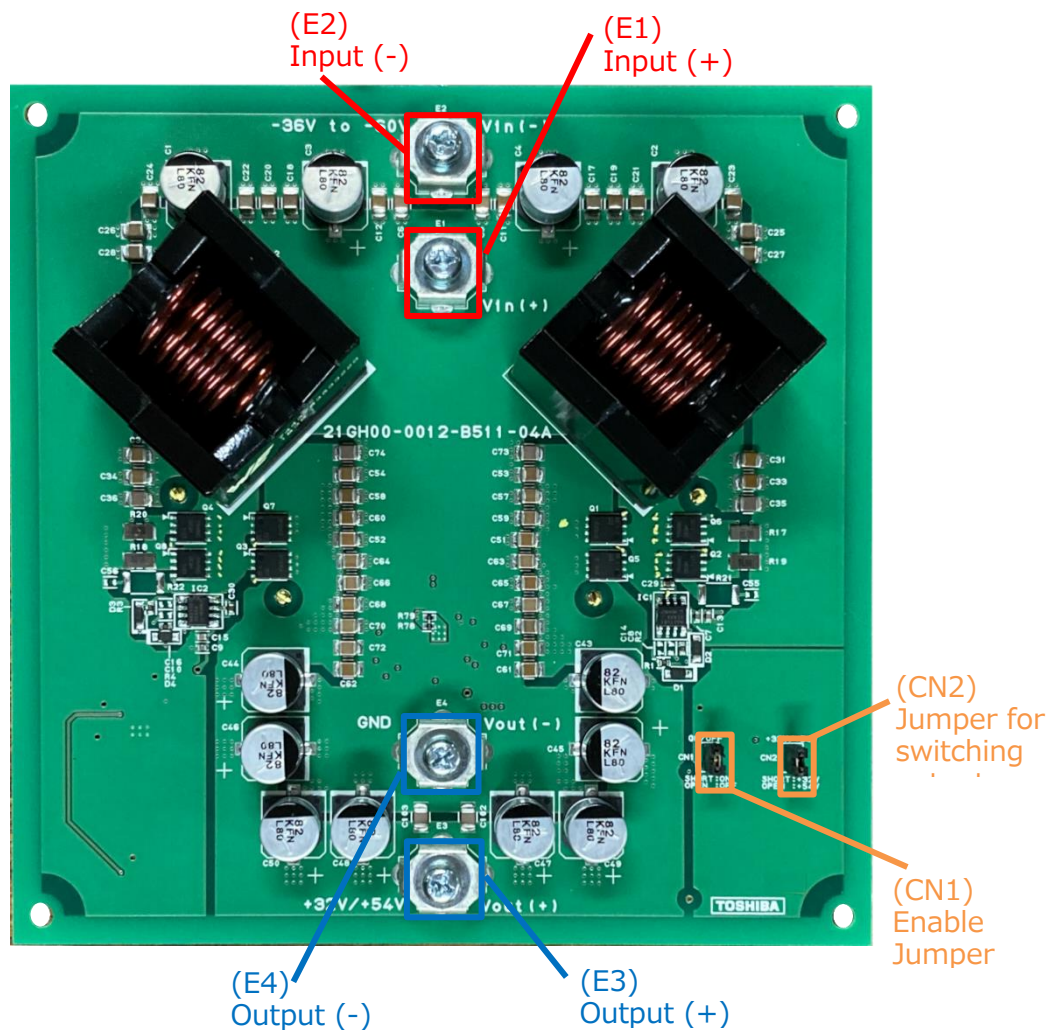
## 4. Operation Procedure

### 4.1. Connection to External Devices

Fig. 4.1 shows the terminals for external connection and setting of this power supply. The parts enclosed in red indicate the input terminals, the parts enclosed in blue indicate the output terminals, and the parts enclosed in orange indicate the jumpers for setting.

- Set the output-voltage selection jumper (CN2). When it is open, output is 54 V. When it is short, output is 32 V.
- Connect the + side of the load to Vout (+) terminal (E3), and the - side of the load (GND potential) to Vout (-) terminal (E4).
- Connect the + side (GND potential) of the regulated DC power supply to the Vin (+) terminal (E1), and the negative (-) side (negative potential) of the regulated DC power supply input to Vin (-) terminal (E2).

Use load units and cables that satisfy the specifications of this power supply described in Table 2.1.



**Fig. 4.1 Terminals for External Connection and Setting**

## 4.2. Start Procedure and Stop Procedure

Make sure that all E1, E2, E3 and E4 terminals are 0 V before starting.

[Start procedure]

1. Select the desired output voltage using CN2 jumper.
2. Turn on the regulated DC power supply connected to E1, E2.
3. Short-circuit the Enable Jumper (CN1) (the power supply is activated, and the desired voltage is output).

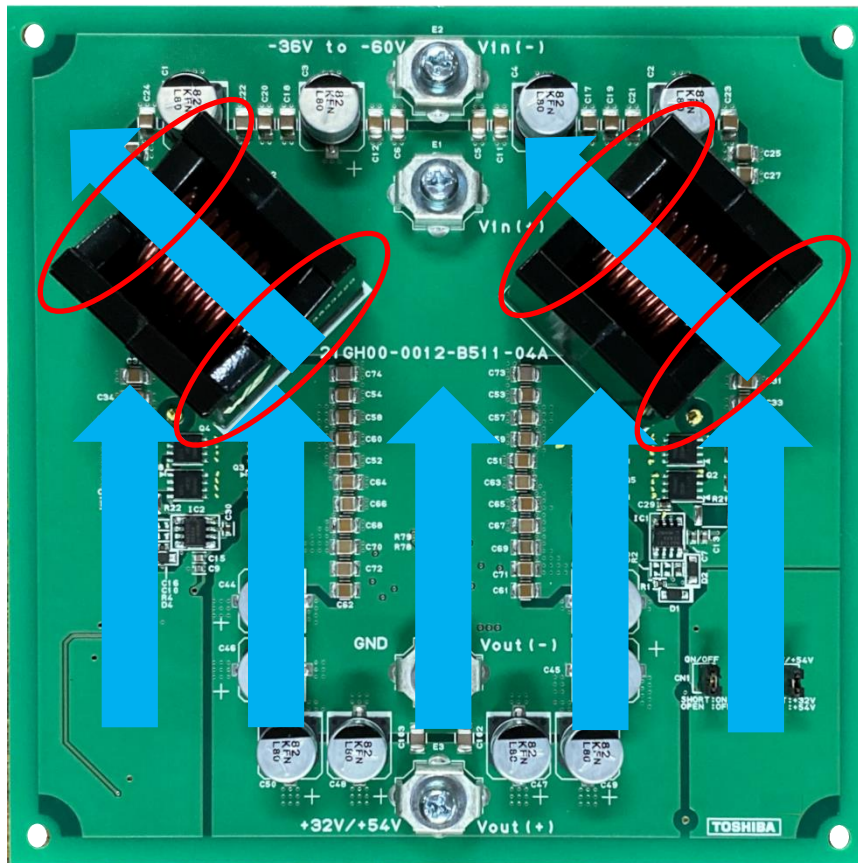
[Stop Procedure]

1. Open the Enable Jumper (CN1). (Power off)
2. Turn off the regulated DC power supply.

**4.3. Precautions for Evaluation (To Prevent Electric Shock, Burn Injury, etc.)**

Be careful of electric shock when connecting the power supply. Do not touch any component of the power supply directly while it is in operation. Be very careful when capturing waveforms. Even after this power supply is shut down, there is a danger of electric shock due to residual charge of various capacitors. Make sure that the voltage of each component has dropped sufficiently before touching the board.

In addition, the semiconductor devices and inductors of this power supply generate heat according to the load current. This power supply assumes forced air cooling. Use an air-cooling device that keeps the heat-generating components within the rated temperature range under high load. The structure of inductor used in this design allows the air flow from only two sides shown by red circle in following image. When cooling with air, make sure to provide an air flow through this area to provide maximum cooling to inductors. Do not touch any component of the power supply while the power supply is in operation as it may cause burns.



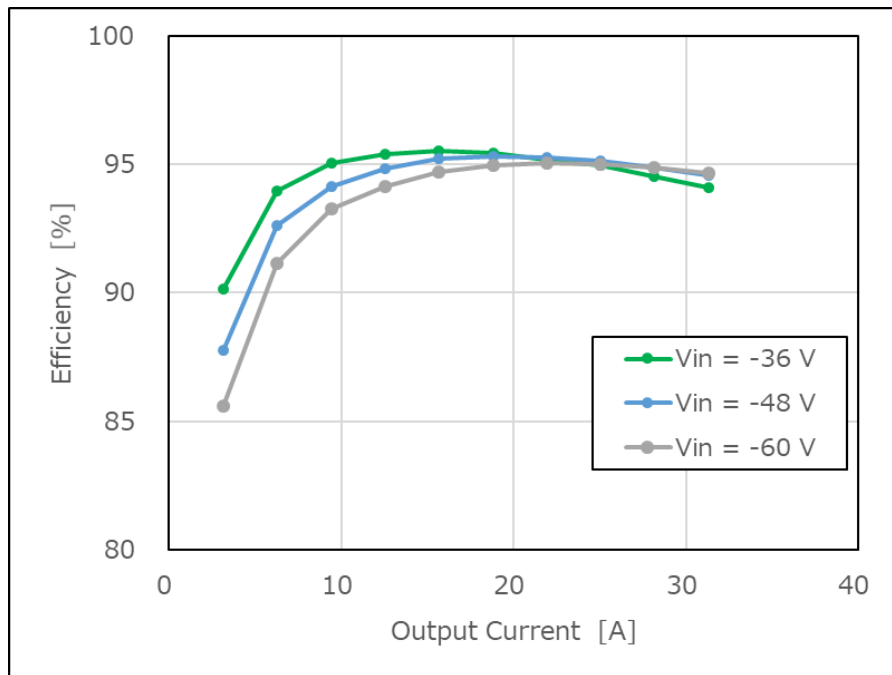
**Fig. 4.2 Recommended Air Flow for Inductor**

## 5. Power Supply Characteristics

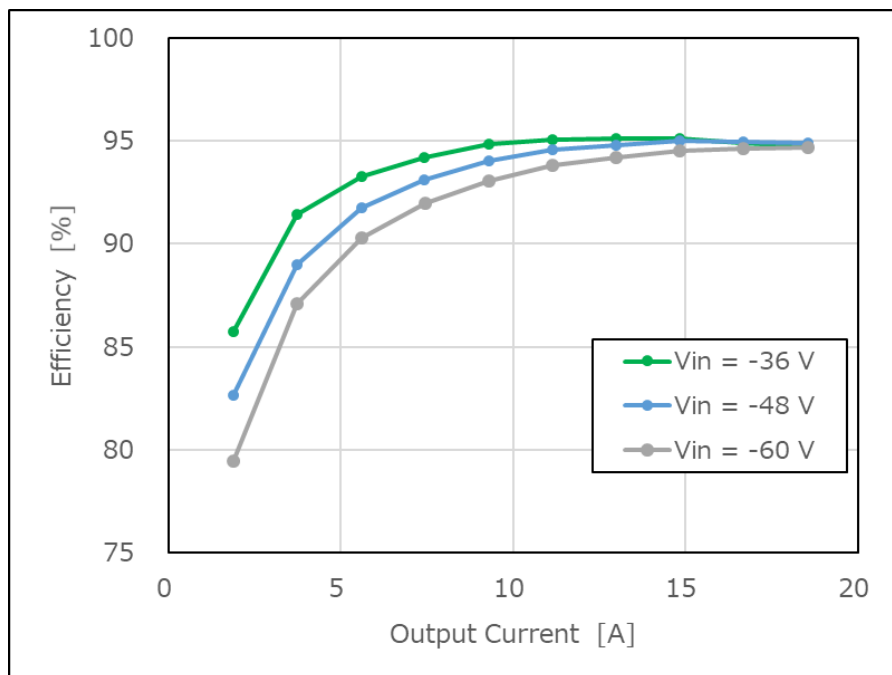
This section shows the power supply efficiency measurement results of this power supply.

### 5.1. Efficiency

Fig. 5.1 and Fig. 5.2 shows the measured power supply efficiency of this power supply when the output is 32 V and 54 V respectively. Measurement is done with the input voltage set to -36 V, -48 V, and -60 V.



**Fig. 5.1 Efficiency Measurement (when output is 32 V)**



**Fig. 5.2 Efficiency Measurement (when output is 54 V)**



## Terms of Use

This terms of use is made between Toshiba Electronic Devices and Storage Corporation ("We") and customers who use documents and data that are consulted to design electronics applications on which our semiconductor devices are mounted ("this Reference Design"). Customers shall comply with this terms of use. Please note that it is assumed that customers agree to any and all this terms of use if customers download this Reference Design. We may, at its sole and exclusive discretion, change, alter, modify, add, and/or remove any part of this terms of use at any time without any prior notice. We may terminate this terms of use at any time and for any reason. Upon termination of this terms of use, customers shall destroy this Reference Design. In the event of any breach thereof by customers, customers shall destroy this Reference Design, and furnish us a written confirmation to prove such destruction.

### 1. Restrictions on usage

1. This Reference Design is provided solely as reference data for designing electronics applications. Customers shall not use this Reference Design for any other purpose, including without limitation, verification of reliability.
2. This Reference Design is for customer's own use and not for sale, lease or other transfer.
3. Customers shall not use this Reference Design for evaluation in high or low temperature, high humidity, or high electromagnetic environments.
4. This Reference Design shall not be used for or incorporated into any products or systems whose manufacture, use, or sale is prohibited under any applicable laws or regulations.

### 2. Limitations

1. We reserve the right to make changes to this Reference Design without notice.
2. This Reference Design should be treated as a reference only. We are not responsible for any incorrect or incomplete data and information.
3. Semiconductor devices can malfunction or fail. When designing electronics applications by referring to this Reference Design, customers are responsible for complying with safety standards and for providing adequate designs and safeguards for their hardware, software and systems which minimize risk and avoid situations in which a malfunction or failure of semiconductor devices could cause loss of human life, bodily injury or damage to property, including data loss or corruption. Customers must also refer to and comply with the latest versions of all relevant our information, including without limitation, specifications, data sheets and application notes for semiconductor devices, as well as the precautions and conditions set forth in the "Semiconductor Reliability Handbook".
4. When designing electronics applications by referring to this Reference Design, customers must evaluate the whole system adequately. Customers are solely responsible for all aspects of their own product design or applications. WE ASSUME NO LIABILITY FOR CUSTOMERS' PRODUCT DESIGN OR APPLICATIONS.
5. No responsibility is assumed by us for any infringement of patents or any other intellectual property rights of third parties that may result from the use of this Reference Design. No license to any intellectual property right is granted by this terms of use, whether express or implied, by estoppel or otherwise.
6. THIS REFERENCE DESIGN IS PROVIDED "AS IS". WE (a) ASSUME NO LIABILITY WHATSOEVER, INCLUDING WITHOUT LIMITATION, INDIRECT, CONSEQUENTIAL, SPECIAL, OR INCIDENTAL DAMAGES OR LOSS, INCLUDING WITHOUT LIMITATION, LOSS OF PROFITS, LOSS OF OPPORTUNITIES, BUSINESS INTERRUPTION AND LOSS OF DATA, AND (b) DISCLAIM ANY AND ALL EXPRESS OR IMPLIED WARRANTIES AND CONDITIONS RELATED TO THIS REFERENCE DESIGN, INCLUDING WARRANTIES OR CONDITIONS OF MERCHANTABILITY, FITNESS FOR A PARTICULAR PURPOSE, ACCURACY OF INFORMATION, OR NONINFRINGEMENT.

### 3. Export Control

Customers shall not use or otherwise make available this Reference Design for any military purposes, including without limitation, for the design, development, use, stockpiling or manufacturing of nuclear, chemical, or biological weapons or missile technology products (mass destruction weapons). This Reference Design may be controlled under the applicable export laws and regulations including, without limitation, the Japanese Foreign Exchange and Foreign Trade Law and the U.S. Export Administration Regulations. Export and re-export of this Reference Design are strictly prohibited except in compliance with all applicable export laws and regulations.

### 4. Governing Laws

This terms of use shall be governed and construed by laws of Japan.