

TOSHIBA CMOS Digital Integrated Circuit Silicon Monolithic

# TC74VHC595F, TC74VHC595FK

## 8-Bit Shift Register/Latch (3-state)

The TC74VHC595 is an advanced high speed 8-BIT SHIFT REGISTER/LATCH fabricated with silicon gate C<sup>2</sup>MOS technology.

It achieves the high speed operation similar to equivalent Bipolar Schottky TTL while maintaining the CMOS low power dissipation.

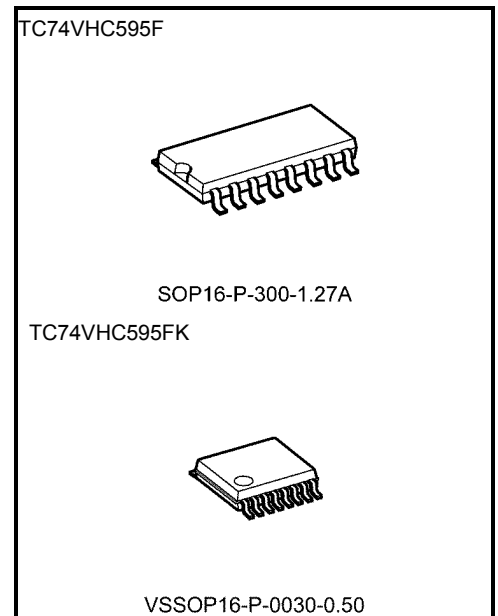
The TC74VHC595 contains an 8-bit static shift register which feeds an 8-bit storage register.

Shift operation is accomplished on the positive going transition of the SCK input. The output register is loaded with the contents of the shift register on the positive going transition of the RCK input. Since RCK and SCK signal are independent, parallel outputs can be held stable during the shift operation. And, since the parallel outputs are 3-state, it can be directly connected to 8-bit bus. This register can be used in serial-to-parallel conversion, data receivers, etc.

An input protection circuit ensures that 0 to 5.5 V can be applied to the input pins without regard to the supply voltage. This device can be used to interface 5 V to 3 V systems and two supply systems such as battery back up. This circuit prevents device destruction due to mismatched supply and input voltages.

## Features

- High speed:  $f_{max} = 185 \text{ MHz (typ.) at } V_{CC} = 5 \text{ V}$
- Low power dissipation:  $I_{CC} = 4 \text{ } \mu\text{A (max) at } T_a = 25^\circ\text{C}$
- High noise immunity:  $V_{NIH} = V_{NIL} = 28\% V_{CC} \text{ (min)}$
- Power down protection is provided on all inputs.
- Balanced propagation delays:  $t_{pLH} \approx t_{pHL}$
- Wide operating voltage range:  $V_{CC} \text{ (opr)} = 2 \text{ V to } 5.5 \text{ V}$
- Low noise:  $V_{OLP} = 1.0 \text{ V (max)}$
- Pin and function compatible with 74ALS595

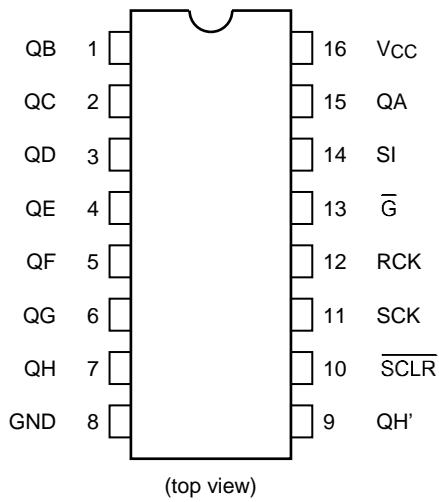


### Weight

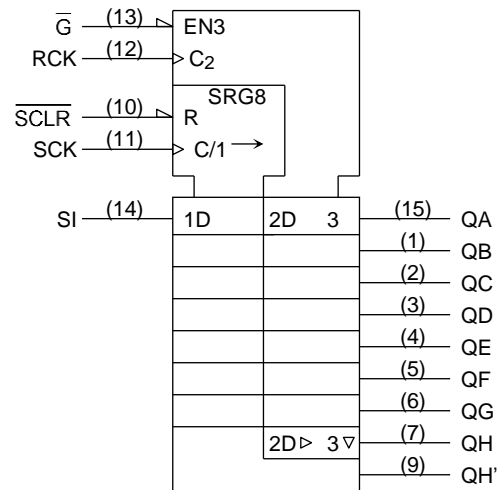
SOP16-P-300-1.27A	: 0.18 g (typ.)
VSSOP16-P-0030-0.50	: 0.02 g (typ.)

Start of commercial production  
1992-05

### Pin Assignment



### IEC Logic Symbol

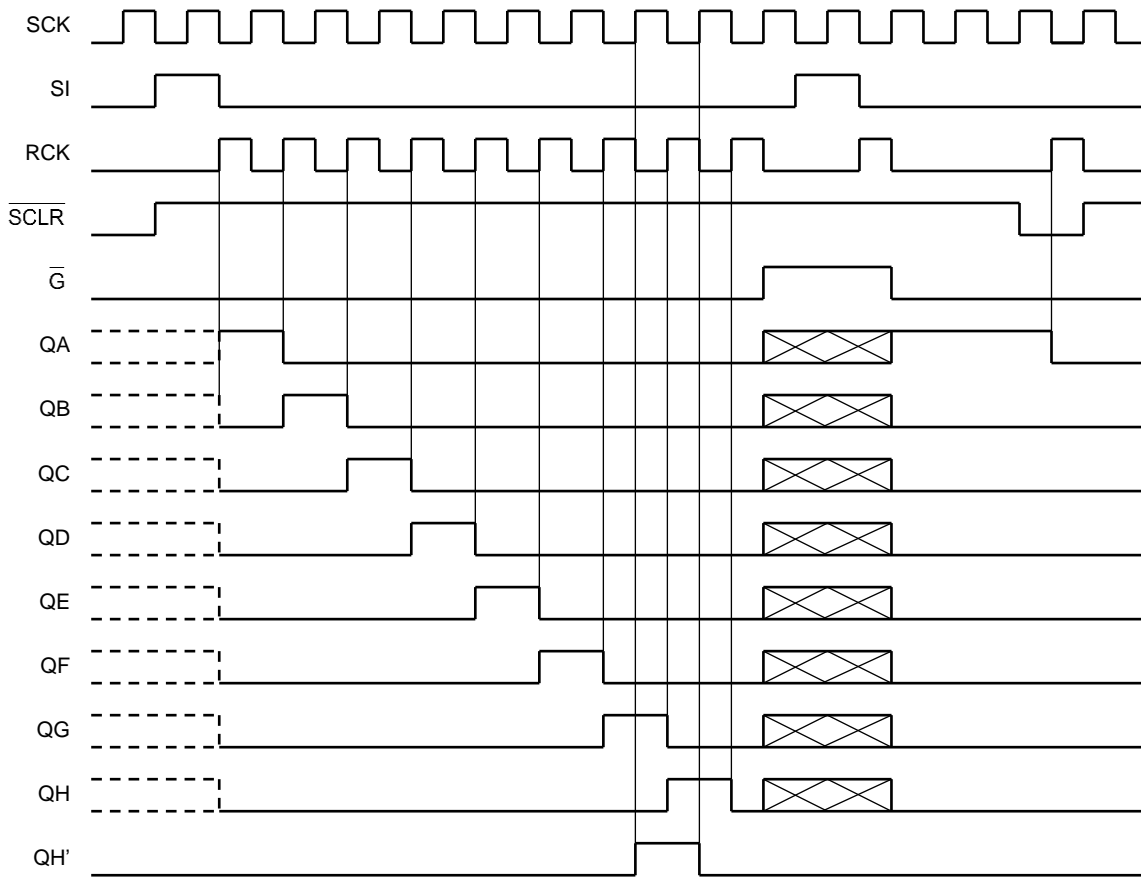


### Truth Table

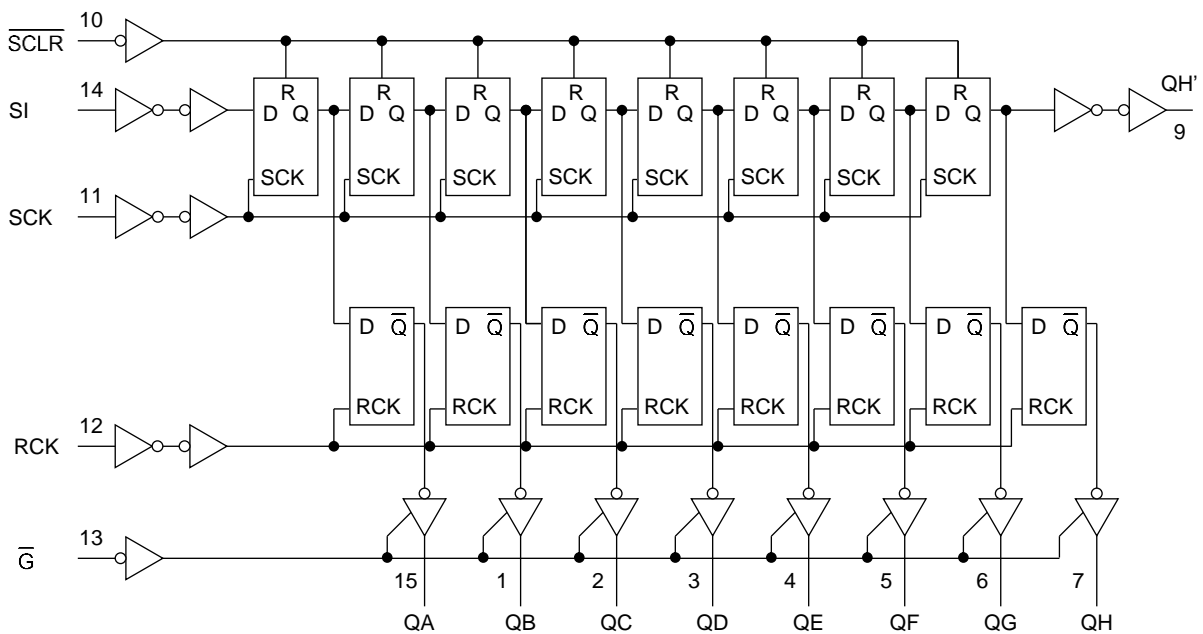
Inputs					Function
SI	SCK	SCLR	RCK	G-bar	
X	X	X	X	H	QA thru QH outputs disable
X	X	X	X	L	QA thru QH outputs enable
X	X	L	X	X	Shift register is cleared.
L		H	X	X	First stage of S.R. becomes "L". Other stages store the data of previous stage, respectively.
H		H	X	X	First stage of S.R. becomes "H". Other stages store the data of previous stage, respectively.
X		H	X	X	State of S.R. is not changed.
X	X	X		X	S.R. data is stored into storage register.
X	X	X		X	Storage register stage is not changed.

X: Don't care

### Timing Chart



### System Diagram



### Absolute Maximum Ratings (Note)

Characteristics	Symbol	Rating	Unit
Supply voltage range	V <sub>CC</sub>	-0.5 to 7.0	V
DC input voltage	V <sub>IN</sub>	-0.5 to 7.0	V
DC output voltage	V <sub>OUT</sub>	-0.5 to V <sub>CC</sub> + 0.5	V
Input diode current	I <sub>IK</sub>	-20	mA
Output diode current	I <sub>OK</sub>	±20	mA
DC output current	I <sub>OUT</sub>	±25	mA
DC V <sub>CC</sub> /ground current	I <sub>CC</sub>	±75	mA
Power dissipation	P <sub>D</sub>	180	mW
Storage temperature	T <sub>stg</sub>	-65 to 150	°C

Note: Exceeding any of the absolute maximum ratings, even briefly, lead to deterioration in IC performance or even destruction.  
 Using continuously under heavy loads (e.g. the application of high temperature/current/voltage and the significant change in temperature, etc.) may cause this product to decrease in the reliability significantly even if the operating conditions (i.e. operating temperature/current/voltage, etc.) are within the absolute maximum ratings and the operating ranges.  
 Please design the appropriate reliability upon reviewing the Toshiba Semiconductor Reliability Handbook (“Handling Precautions”/“Derating Concept and Methods”) and individual reliability data (i.e. reliability test report and estimated failure rate, etc).

### Operating Ranges (Note)

Characteristics	Symbol	Rating	Unit
Supply voltage	V <sub>CC</sub>	2.0 to 5.5	V
Input voltage	V <sub>IN</sub>	0 to 5.5	V
Output voltage	V <sub>OUT</sub>	0 to V <sub>CC</sub>	V
Operating temperature	T <sub>opr</sub>	-40 to 85	°C
Input rise and fall time	dt/dv	0 to 100 (V <sub>CC</sub> = 3.3 ± 0.3 V) 0 to 20 (V <sub>CC</sub> = 5 ± 0.5 V)	ns/V

Note: The operating ranges must be maintained to ensure the normal operation of the device.  
 Unused inputs must be tied to either V<sub>CC</sub> or GND.

### Electrical Characteristics

#### DC Characteristics

Characteristics	Symbol	Test Condition		Ta = 25°C			Ta = -40 to 85°C		Unit	
				V <sub>CC</sub> (V)	Min	Typ.	Max	Min		Max
High-level input voltage	V <sub>IH</sub>	—		2.0 3.0 to 5.5	1.50 V <sub>CC</sub> × 0.7	— —	— —	1.50 V <sub>CC</sub> × 0.7	— —	V
Low-level input voltage	V <sub>IL</sub>	—		2.0 3.0 to 5.5	— —	— —	0.50 V <sub>CC</sub> × 0.3	— —	0.50 V <sub>CC</sub> × 0.3	V
High-level output voltage	V <sub>OH</sub>	V <sub>IN</sub> = V <sub>IH</sub> or V <sub>IL</sub>	I <sub>OH</sub> = -50 μA	2.0 3.0 4.5	1.9 2.9 4.4	2.0 3.0 4.5	— — —	1.9 2.9 4.4	— — —	V
			I <sub>OH</sub> = -4 mA	3.0	2.58	—	—	2.48	—	
			I <sub>OH</sub> = -8 mA	4.5	3.94	—	—	3.80	—	
Low-level output voltage	V <sub>OL</sub>	V <sub>IN</sub> = V <sub>IH</sub> or V <sub>IL</sub>	I <sub>OL</sub> = 50 μA	2.0 3.0 4.5	— — —	0.0 0.0 0.0	0.1 0.1 0.1	— — —	0.1 0.1 0.1	V
			I <sub>OL</sub> = 4 mA	3.0	—	—	0.36	—	0.44	
			I <sub>OL</sub> = 8 mA	4.5	—	—	0.36	—	0.44	
3-state output off-state current	I <sub>OZ</sub>	V <sub>IN</sub> = V <sub>IH</sub> or V <sub>IL</sub> V <sub>OUT</sub> = V <sub>CC</sub> or GND		5.5	—	—	±0.25	—	±2.50	μA
Input leakage current	I <sub>IN</sub>	V <sub>IN</sub> = 5.5 V or GND		0 to 5.5	—	—	±0.1	—	±1.0	μA
Quiescent supply current	I <sub>CC</sub>	V <sub>IN</sub> = V <sub>CC</sub> or GND		5.5	—	—	4.0	—	40.0	μA

### Timing Requirements (input: $t_r = t_f = 3 \text{ ns}$ )

Characteristics	Symbol	Test Condition	Ta = 25°C			Ta = -40 to 85°C	Unit
			VCC (V)	Typ.	Limit	Limit	
Minimum pulse width (SCK, RCK)	$t_w$ (H)	—	$3.3 \pm 0.3$	—	5.0	5.0	ns
	$t_w$ (L)		$5.0 \pm 0.5$	—	5.0	5.0	
Minimum pulse width (SCLR)	$t_w$ (L)	—	$3.3 \pm 0.3$ $5.0 \pm 0.5$	— —	5.0 5.0	5.0 5.0	ns
Minimum set-up time (SI-SCK)	$t_s$	—	$3.3 \pm 0.3$	—	3.5	3.5	ns
			$5.0 \pm 0.5$	—	3.0	3.0	
Minimum set-up time (SCK-RCK)	$t_s$	—	$3.3 \pm 0.3$	—	8.0	8.5	ns
			$5.0 \pm 0.5$	—	5.0	5.0	
Minimum set-up time (SCLR -RCK)	$t_s$	—	$3.3 \pm 0.3$	—	8.0	9.0	ns
			$5.0 \pm 0.5$	—	5.0	5.0	
Minimum hold time (SI-SCK)	$t_h$	—	$3.3 \pm 0.3$	—	1.5	1.5	ns
			$5.0 \pm 0.5$	—	2.0	2.0	
Minimum hold time (SCK-RCK)	$t_h$	—	$3.3 \pm 0.3$	—	0	0	ns
			$5.0 \pm 0.5$	—	0	0	
Minimum hold time (SCLR -RCK)	$t_h$	—	$3.3 \pm 0.3$	—	0	0	ns
			$5.0 \pm 0.5$	—	0	0	
Minimum removal time (SCLR)	$t_{rem}$	—	$3.3 \pm 0.3$	—	3.0	3.0	ns
			$5.0 \pm 0.5$	—	2.5	2.5	

### AC Characteristics (input: $t_r = t_f = 3 \text{ ns}$ )

Characteristics	Symbol	Test Condition	Ta = 25°C			Ta = -40 to 85°C		Unit				
			VCC (V)	CL (pF)	Min	Typ.	Max		Min	Max		
Propagation delay time (SCK-QH')	$t_{pLH}$	—	3.3 ± 0.3	15	—	8.8	13.0	1.0	15.0	ns		
				50	—	11.3	16.5	1.0	18.5			
	5.0 ± 0.5		15	—	6.2	8.2	1.0	9.4				
			50	—	7.7	10.2	1.0	11.4				
Propagation delay time (SCLR-QH')	$t_{pHL}$	—	3.3 ± 0.3	15	—	8.4	12.8	1.0	13.7	ns		
				50	—	10.9	16.3	1.0	17.2			
			5.0 ± 0.5	15	—	5.9	8.0	1.0	9.1			
				50	—	7.4	10.0	1.0	11.1			
Propagation delay time (RCK-Qn)	$t_{pLH}$	—	3.3 ± 0.3	15	—	7.7	11.9	1.0	13.5	ns		
				50	—	10.2	15.4	1.0	17.0			
	5.0 ± 0.5		15	—	5.4	7.4	1.0	8.5				
			50	—	6.9	9.4	1.0	10.5				
Output enable time	$t_{pZL}$	RL = 1 kΩ	3.3 ± 0.3	15	—	7.5	11.5	1.0	13.5	ns		
				50	—	9.0	15.0	1.0	17.0			
	5.0 ± 0.5		15	—	4.8	8.6	1.0	10.0				
			50	—	8.3	10.6	1.0	12.0				
Output disable time	$t_{pLZ}$	RL = 1 kΩ	3.3 ± 0.3	50	—	12.1	15.7	1.0	16.2	ns		
			5.0 ± 0.5	50	—	7.6	10.3	1.0	11.0			
Maximum clock frequency	$f_{max}$		—	3.3 ± 0.3	15	80	150	—	70		—	MHz
					50	55	130	—	50		—	
		5.0 ± 0.5		15	135	185	—	115	—			
				50	95	155	—	85	—			
Input capacitance	CIN	—	—	—	4	10	—	10	pF			
Output capacitance	COUT	—	—	—	6	—	—	—	pF			
Power dissipation capacitance	CPD	(Note)	—	—	87	—	—	—	pF			

Note: CPD is defined as the value of the internal equivalent capacitance which is calculated from the operating current consumption without load.

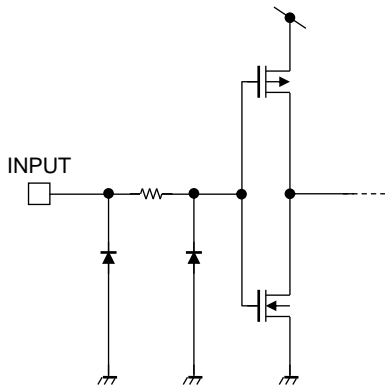
Average operating current can be obtained by the equation:

$$I_{CC (opr)} = CPD \cdot V_{CC} \cdot f_{in} + I_{CC}$$

### Noise Characteristics (input: $t_r = t_f = 3$ ns)

Characteristics	Symbol	Test Condition	Ta = 25°C		Unit
			VCC (V)	Typ. / Limit	
Quiet output maximum dynamic VOL	VOLP	CL = 50 pF	5.0	0.8 / 1.0	V
Quiet output minimum dynamic VOL	VOLV	CL = 50 pF	5.0	-0.8 / -1.0	V
Minimum high level dynamic input voltage	VIHD	CL = 50 pF	5.0	— / 3.5	V
Maximum low level dynamic input voltage	VILD	CL = 50 pF	5.0	— / 1.5	V

### Input Equivalent Circuit

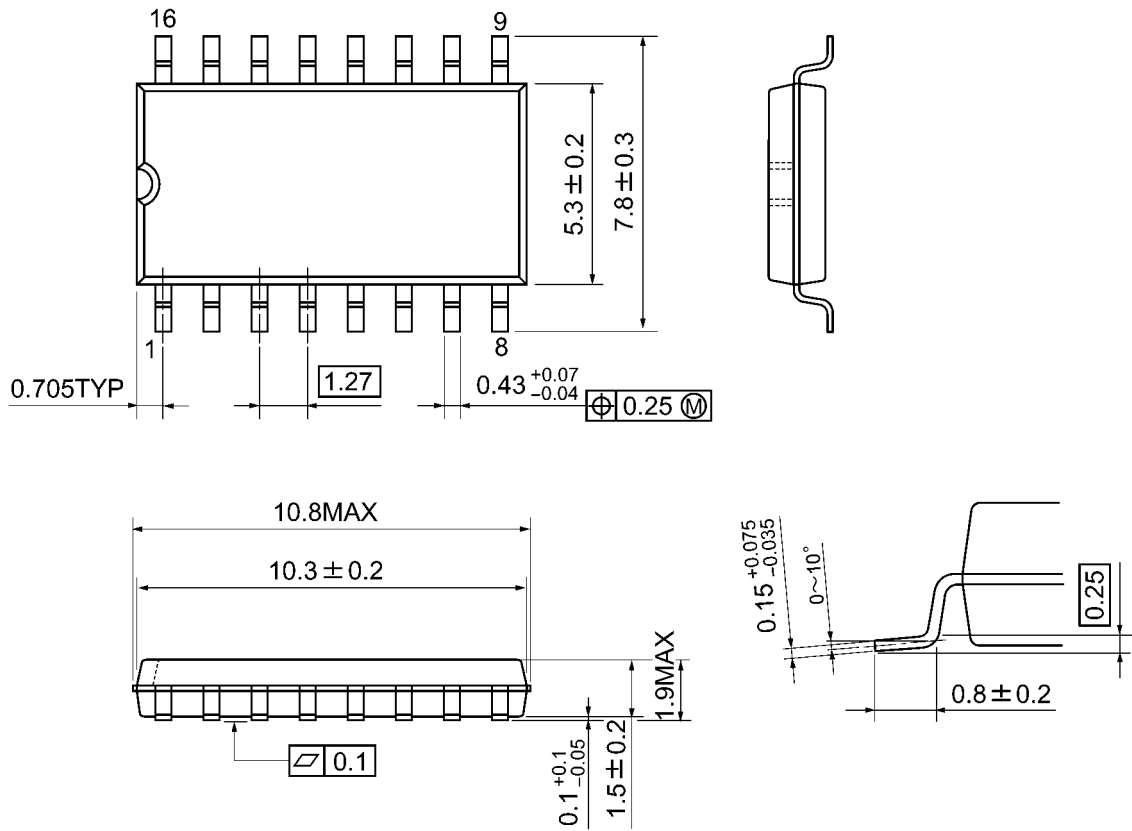




### Package Dimensions

SOP16-P-300-1.27A

Unit: mm

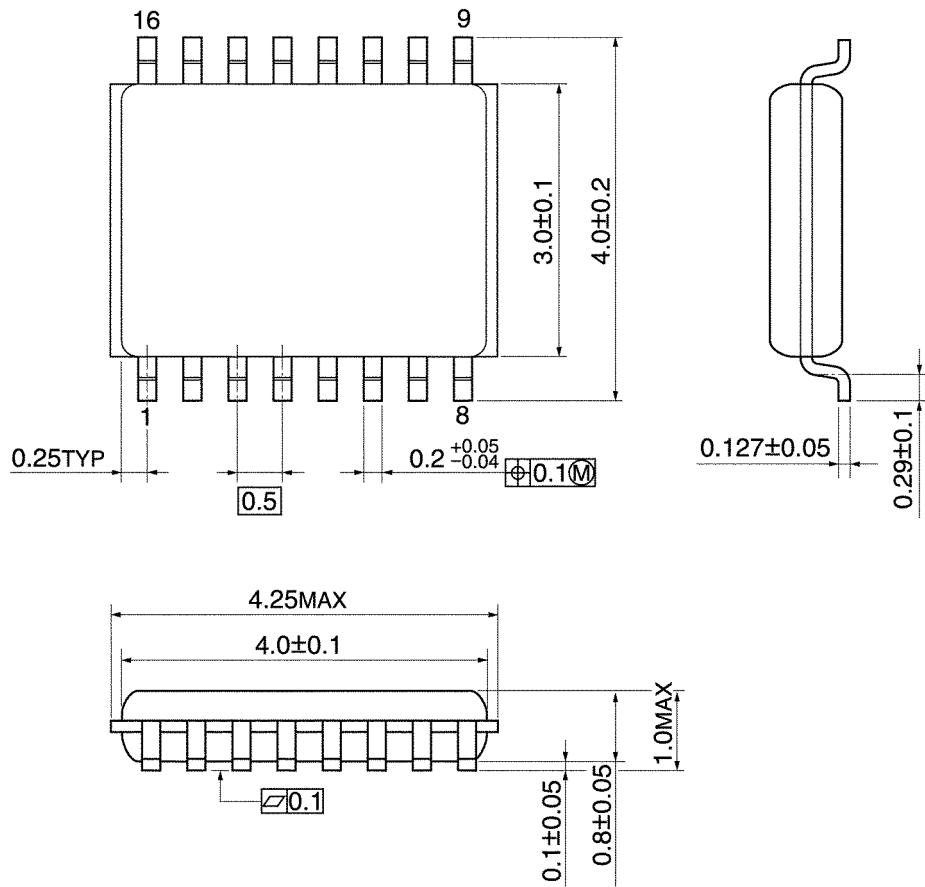


Weight: 0.18 g (typ.)

### Package Dimensions

VSSOP16-P-0030-0.50

Unit: mm



Weight: 0.02 g (typ.)

## RESTRICTIONS ON PRODUCT USE

Toshiba Corporation and its subsidiaries and affiliates are collectively referred to as "TOSHIBA". Hardware, software and systems described in this document are collectively referred to as "Product".

- TOSHIBA reserves the right to make changes to the information in this document and related Product without notice.
- This document and any information herein may not be reproduced without prior written permission from TOSHIBA. Even with TOSHIBA's written permission, reproduction is permissible only if reproduction is without alteration/omission.
- Though TOSHIBA works continually to improve Product's quality and reliability, Product can malfunction or fail. Customers are responsible for complying with safety standards and for providing adequate designs and safeguards for their hardware, software and systems which minimize risk and avoid situations in which a malfunction or failure of Product could cause loss of human life, bodily injury or damage to property, including data loss or corruption. Before customers use the Product, create designs including the Product, or incorporate the Product into their own applications, customers must also refer to and comply with (a) the latest versions of all relevant TOSHIBA information, including without limitation, this document, the specifications, the data sheets and application notes for Product and the precautions and conditions set forth in the "TOSHIBA Semiconductor Reliability Handbook" and (b) the instructions for the application with which the Product will be used with or for. Customers are solely responsible for all aspects of their own product design or applications, including but not limited to (a) determining the appropriateness of the use of this Product in such design or applications; (b) evaluating and determining the applicability of any information contained in this document, or in charts, diagrams, programs, algorithms, sample application circuits, or any other referenced documents; and (c) validating all operating parameters for such designs and applications. **TOSHIBA ASSUMES NO LIABILITY FOR CUSTOMERS' PRODUCT DESIGN OR APPLICATIONS.**
- **PRODUCT IS NEITHER INTENDED NOR WARRANTED FOR USE IN EQUIPMENTS OR SYSTEMS THAT REQUIRE EXTRAORDINARILY HIGH LEVELS OF QUALITY AND/OR RELIABILITY, AND/OR A MALFUNCTION OR FAILURE OF WHICH MAY CAUSE LOSS OF HUMAN LIFE, BODILY INJURY, SERIOUS PROPERTY DAMAGE AND/OR SERIOUS PUBLIC IMPACT ("UNINTENDED USE").** Except for specific applications as expressly stated in this document, Unintended Use includes, without limitation, equipment used in nuclear facilities, equipment used in the aerospace industry, lifesaving and/or life supporting medical equipment, equipment used for automobiles, trains, ships and other transportation, traffic signaling equipment, equipment used to control combustions or explosions, safety devices, elevators and escalators, and devices related to power plant. **IF YOU USE PRODUCT FOR UNINTENDED USE, TOSHIBA ASSUMES NO LIABILITY FOR PRODUCT.** For details, please contact your TOSHIBA sales representative or contact us via our website.
- Do not disassemble, analyze, reverse-engineer, alter, modify, translate or copy Product, whether in whole or in part.
- Product shall not be used for or incorporated into any products or systems whose manufacture, use, or sale is prohibited under any applicable laws or regulations.
- The information contained herein is presented only as guidance for Product use. No responsibility is assumed by TOSHIBA for any infringement of patents or any other intellectual property rights of third parties that may result from the use of Product. No license to any intellectual property right is granted by this document, whether express or implied, by estoppel or otherwise.
- **ABSENT A WRITTEN SIGNED AGREEMENT, EXCEPT AS PROVIDED IN THE RELEVANT TERMS AND CONDITIONS OF SALE FOR PRODUCT, AND TO THE MAXIMUM EXTENT ALLOWABLE BY LAW, TOSHIBA (1) ASSUMES NO LIABILITY WHATSOEVER, INCLUDING WITHOUT LIMITATION, INDIRECT, CONSEQUENTIAL, SPECIAL, OR INCIDENTAL DAMAGES OR LOSS, INCLUDING WITHOUT LIMITATION, LOSS OF PROFITS, LOSS OF OPPORTUNITIES, BUSINESS INTERRUPTION AND LOSS OF DATA, AND (2) DISCLAIMS ANY AND ALL EXPRESS OR IMPLIED WARRANTIES AND CONDITIONS RELATED TO SALE, USE OF PRODUCT, OR INFORMATION, INCLUDING WARRANTIES OR CONDITIONS OF MERCHANTABILITY, FITNESS FOR A PARTICULAR PURPOSE, ACCURACY OF INFORMATION, OR NONINFRINGEMENT.**
- Do not use or otherwise make available Product or related software or technology for any military purposes, including without limitation, for the design, development, use, stockpiling or manufacturing of nuclear, chemical, or biological weapons or missile technology products (mass destruction weapons). Product and related software and technology may be controlled under the applicable export laws and regulations including, without limitation, the Japanese Foreign Exchange and Foreign Trade Law and the U.S. Export Administration Regulations. Export and re-export of Product or related software or technology are strictly prohibited except in compliance with all applicable export laws and regulations.
- Please contact your TOSHIBA sales representative for details as to environmental matters such as the RoHS compatibility of Product. Please use Product in compliance with all applicable laws and regulations that regulate the inclusion or use of controlled substances, including without limitation, the EU RoHS Directive. **TOSHIBA ASSUMES NO LIABILITY FOR DAMAGES OR LOSSES OCCURRING AS A RESULT OF NONCOMPLIANCE WITH APPLICABLE LAWS AND REGULATIONS.**