

TPD1032F

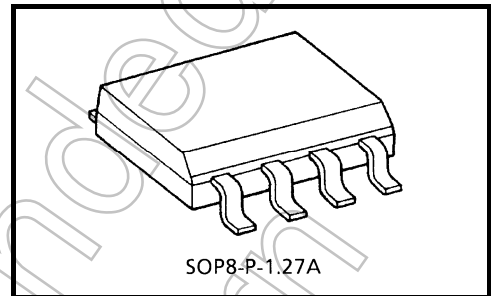
2-IN-1 Low-Side Power Switch for Motor, Solenoid and Lamp Drive

The TPD1032F is a 2-IN-1 low-side switch.

The IC has a vertical MOSFET output which can be directly driven from a CMOS or TTL logic circuit (e.g., an MPU). The IC is equipped with intelligent self-protection functions.

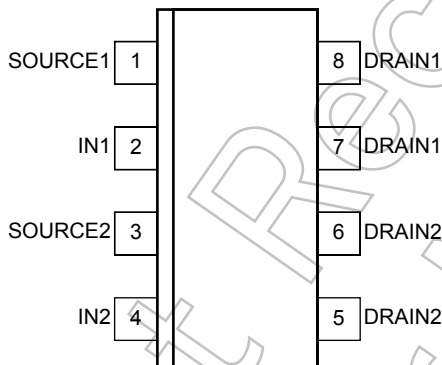
Features

- Two built-in power IC chips with a new structure combining a control block and a vertical power MOSFET (L²-π-MOS) on each chip.
- Can directly drive a power load from a CMOS or TTL logic.
- Built-in protection circuits against overvoltage (active clamp), overtemperature (thermal shutdown), and overcurrent (current limiter).
- Low Drain-Source ON-resistance: $R_{DS(ON)} = 0.4 \Omega$ (max) (@ $V_{IN} = 5\text{ V}$, $I_D = 1\text{ A}$, $T_{ch} = 25^\circ\text{C}$)
- Low Leakage Current: $I_{DSS} = 10 \mu\text{A}$ (max) (@ $V_{IN} = 0\text{ V}$, $V_{DS} = 20\text{ V}$, $T_{ch} = 25^\circ\text{C}$)
- Low Input Current: $I_{IN} = 300 \mu\text{A}$ (max) (@ $V_{IN} = 5\text{ V}$, $T_{ch} = -40 \sim 110^\circ\text{C}$)
- 8-pin SOP package for surface with embossed-tape packing.



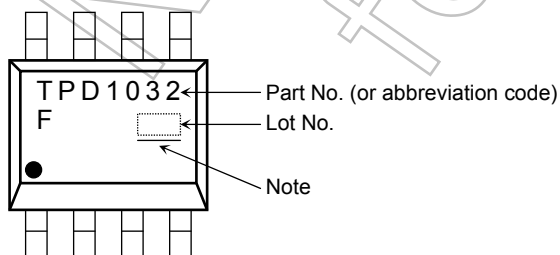
Weight: 0.08 g (typ.)

Pin Assignment (top view)



Due to its MOS structure, this product is sensitive to static electricity.

Marking

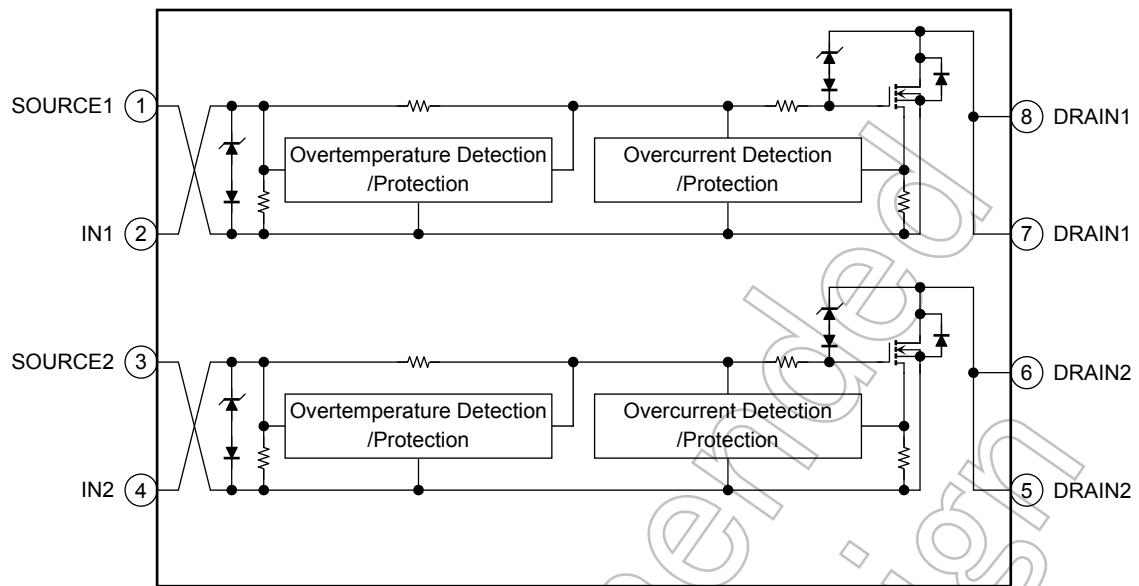


Note: A line under a Lot No. identifies the indication of product Labels.
 Not underlined: [[Pb]]/INCLUDES > MCV
 Underlined: [[G]]/RoHS COMPATIBLE or [[G]]/RoHS [[Pb]]

Please contact your TOSHIBA sales representative for details as to environmental matters such as the RoHS compatibility of Product. The RoHS is Directive 2011/65/EU of the European Parliament and of the Council of 8 June 2011 on the restriction of the use of certain hazardous substances in electrical and electronic equipment.

Start of commercial production
 1999-10

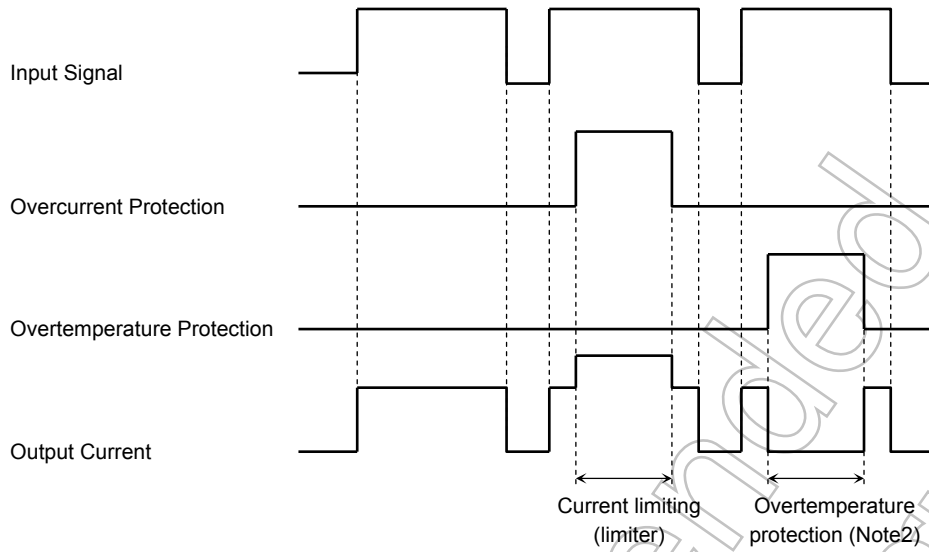
Block Diagram



Pin Description

Pin No.	Symbol	Pin Description
1	SOURCE1	Source pin 1
2	IN1	Input pin 1 This pin is connected to a pull-down resistor internally, so that even when input wiring is open-circuited, output can never be turned on inadvertently.
3	SOURCE2	Source pin 2
4	IN2	Input pin 2 This pin is connected to a pull-down resistor internally, so that even when input wiring is open-circuited, output can never be turned on inadvertently.
5, 6	DRAIN2	Drain pin 2 Drain current is limited (by current limiter) if it exceeds 3 A (min) in order to protect the IC.
7, 8	DRAIN1	Drain pin 1 Drain current is limited (by current limiter) if it exceeds 3 A (min) in order to protect the IC.

Timing Chart



Note2: The overheating detector circuits feature hysteresis. After overheating is detected, normal operation is restored only when the channel temperature falls by the hysteresis amount (5°C typ.) in relation to the overheating detection temperature.

Truth Table

IN	V _{OUT}	Mode
L	H	Normal
H	L	
L	H	Overcurrent
H	H	
L	H	Overtemperature
H	H	

Absolute Maximum Ratings (Ta = 25°C)

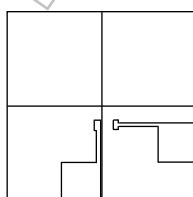
Characteristics		Symbol	Rating	Unit
Drain-source voltage	DC	V _{DS}	20	V
	Pulse		40	
Drain current		I _D	Internally limited	A
Input voltage		V _{IN}	-0.3 to 7	V
Power dissipation (Ta=25°C)(Note 3a)	Single-device operation (Note4a)	P _{D(1)}	0.95	W
	Single-device value at dual operation (Note4b)	P _{D(2)}	0.54	
Power dissipation (Ta=25°C)(Note 3b)	Single-device operation (Note4a)	P _{D(3)}	0.38	
	Single-device value at dual operation (Note4b)	P _{D(4)}	0.20	
Single pulse active clamp capability (Note 5)		E _{AS}	90	mJ
Active clamp current		I _{AR}	3	A
Repetitive active clamp capability (Note 6)		E _{AR}	54	μJ
Operating temperature		T _{opr}	-40 to 110	°C
Channel temperature		T _{ch}	150	°C
Storage temperature		T _{stg}	-55 to 150	°C

Note: Using continuously under heavy loads (e.g. the application of high temperature/current/voltage and the significant change in temperature, etc.) may cause this product to decrease in the reliability significantly even if the operating conditions (i.e. operating temperature/current/voltage, etc.) are within the absolute maximum ratings and the operating ranges. Please design the appropriate reliability upon reviewing the Toshiba Semiconductor Reliability Handbook ("Handling Precautions"/Derating Concept and Methods) and individual reliability data (i.e. reliability test report and estimated failure rate, etc).

Thermal Characteristics

Characteristics		Symbol	Max	Unit
Thermal resistance, channel to ambient (Note3a)	Single-device operation (Note 4a)	R _{th (ch-a)(1)}	132	°C/W
	Single-device value at dual operation (Note 4b)	R _{th (ch-a)(2)}	231	
Thermal resistance, channel to ambient (Note3b)	Single-device operation (Note 4a)	R _{th (ch-a)(1)}	330	°C/W
	Single-device value at dual operation (Note 4b)	R _{th (ch-a)(2)}	625	

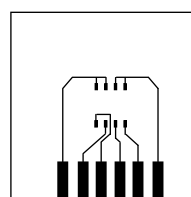
Note 3:



(a)

a) Device mounted on a glass-epoxy board (a)

FR-4
25.4 × 25.4 × 0.8
(Unit: mm)



(b)

b) Device mounted on a glass-epoxy board (b)

FR-4
25.4 × 25.4 × 0.8
(Unit: mm)

Note 4:

- a) The power dissipation and thermal resistance values are shown for a single device.
(During single-device operation, power is only applied to one device.)
- b) The power dissipation and thermal resistance values are shown for a single device.
(During dual operation, power is evenly applied to both device.)

Note 5: Active clamp capability (single pulse) test condition

$V_{DD} = 25\text{ V}$, Starting $T_{ch} = 25^\circ\text{C}$, $L = 10\text{ mH}$, $I_{AR} = 3\text{ A}$, $R_G = 25\ \Omega$

Note 6: Repetitive rating, pulse width limited by maximum channel temperature.

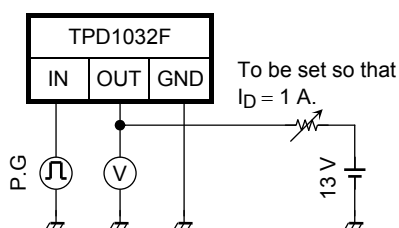
Electrical Characteristics

Characteristics	Symbol	Test Circuit	Test Condition	Min	Typ.	Max	Unit
Drain-source clamp voltage	$V_{(CL)DSS}$	—	$T_{ch} = -40 \sim 110^\circ\text{C}$ $V_{IN} = 0\text{ V}$, $I_D = 1\text{ mA}$	40	—	60	V
Input threshold voltage	V_{th}	—	$T_{ch} = 25^\circ\text{C}$	1.0	—	2.8	V
			$T_{ch} = -40 \sim 110^\circ\text{C}$				
Protective circuit operation input voltage range	$V_{IN(opr)}$	—	$T_{ch} = 25^\circ\text{C}$	3	—	7	V
			$T_{ch} = -40 \sim 110^\circ\text{C}$	3.5	—	7	
Drain cut-off current	I_{DSS}	—	$T_{ch} = 25^\circ\text{C}$	—	—	10	μA
			$T_{ch} = -40 \sim 110^\circ\text{C}$			100	
Input current	$I_{IN(1)}$	—	$T_{ch} = 25^\circ\text{C}$	—	—	300	μA
	$I_{IN(2)}$	—	$T_{ch} = -40 \sim 110^\circ\text{C}$	—	—	350	
Drain-source on resistance	$R_{DS(ON)}$	—	$T_{ch} = 25^\circ\text{C}$	—	0.25	0.4	Ω
			$T_{ch} = -40 \sim 110^\circ\text{C}$			0.6	
Overtemperature protection	T_S	—	—	150	160	—	$^\circ\text{C}$
Overcurrent protection	I_S	—	$T_{ch} = 25^\circ\text{C}$	3	3.7	—	A
			$T_{ch} = -40 \sim 110^\circ\text{C}$			2	
Switching time	t_{ON}	1	$T_{ch} = 25^\circ\text{C}$	—	—	30	μs
			$T_{ch} = -40 \sim 110^\circ\text{C}$			60	
	$T_{ch} = 25^\circ\text{C}$		60				
	$T_{ch} = -40 \sim 110^\circ\text{C}$		90				
Source-drain diode forward voltage	V_{DSF}	—	$T_{ch} = 25^\circ\text{C}$	—	—	1.7	V

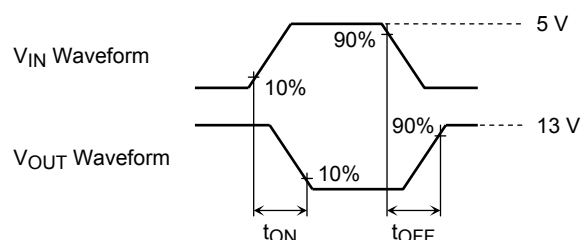
Test Circuit 1

Switching time measuring circuit

Test Circuit



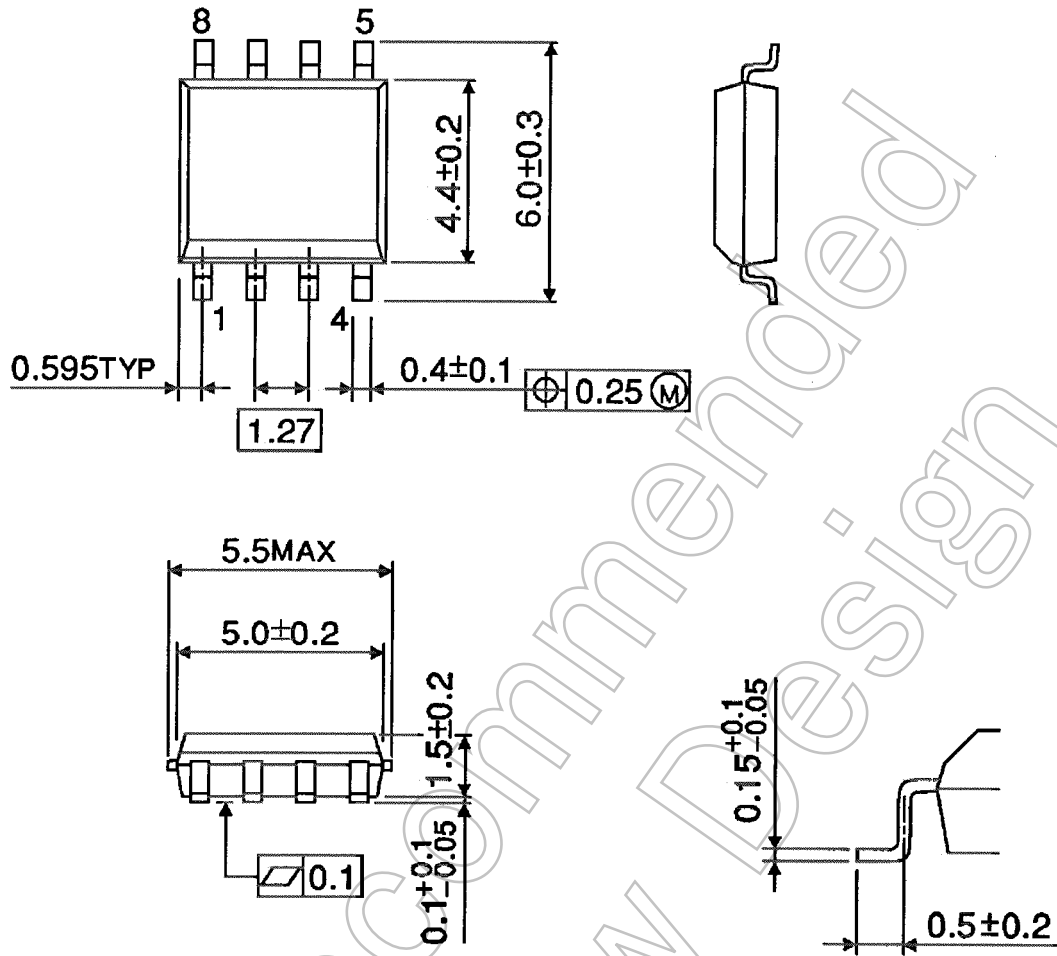
Measured Waveforms



Package Dimensions

SOP8-P-1.27A

Unit : mm



Weight: 0.08 g (typ.)

Not Recommended for New Design

RESTRICTIONS ON PRODUCT USE

- Toshiba Corporation, and its subsidiaries and affiliates (collectively "TOSHIBA"), reserve the right to make changes to the information in this document, and related hardware, software and systems (collectively "Product") without notice.
- This document and any information herein may not be reproduced without prior written permission from TOSHIBA. Even with TOSHIBA's written permission, reproduction is permissible only if reproduction is without alteration/omission.
- Though TOSHIBA works continually to improve Product's quality and reliability, Product can malfunction or fail. Customers are responsible for complying with safety standards and for providing adequate designs and safeguards for their hardware, software and systems which minimize risk and avoid situations in which a malfunction or failure of Product could cause loss of human life, bodily injury or damage to property, including data loss or corruption. Before customers use the Product, create designs including the Product, or incorporate the Product into their own applications, customers must also refer to and comply with (a) the latest versions of all relevant TOSHIBA information, including without limitation, this document, the specifications, the data sheets and application notes for Product and the precautions and conditions set forth in the "TOSHIBA Semiconductor Reliability Handbook" and (b) the instructions for the application with which the Product will be used with or for. Customers are solely responsible for all aspects of their own product design or applications, including but not limited to (a) determining the appropriateness of the use of this Product in such design or applications; (b) evaluating and determining the applicability of any information contained in this document, or in charts, diagrams, programs, algorithms, sample application circuits, or any other referenced documents; and (c) validating all operating parameters for such designs and applications. **TOSHIBA ASSUMES NO LIABILITY FOR CUSTOMERS' PRODUCT DESIGN OR APPLICATIONS.**
- **PRODUCT IS NEITHER INTENDED NOR WARRANTED FOR USE IN EQUIPMENTS OR SYSTEMS THAT REQUIRE EXTRAORDINARILY HIGH LEVELS OF QUALITY AND/OR RELIABILITY, AND/OR A MALFUNCTION OR FAILURE OF WHICH MAY CAUSE LOSS OF HUMAN LIFE, BODILY INJURY, SERIOUS PROPERTY DAMAGE AND/OR SERIOUS PUBLIC IMPACT ("UNINTENDED USE").** Except for specific applications as expressly stated in this document, Unintended Use includes, without limitation, equipment used in nuclear facilities, equipment used in the aerospace industry, medical equipment, equipment used for automobiles, trains, ships and other transportation, traffic signaling equipment, equipment used to control combustions or explosions, safety devices, elevators and escalators, devices related to electric power, and equipment used in finance-related fields. **IF YOU USE PRODUCT FOR UNINTENDED USE, TOSHIBA ASSUMES NO LIABILITY FOR PRODUCT.** For details, please contact your TOSHIBA sales representative.
- Do not disassemble, analyze, reverse-engineer, alter, modify, translate or copy Product, whether in whole or in part.
- Product shall not be used for or incorporated into any products or systems whose manufacture, use, or sale is prohibited under any applicable laws or regulations.
- The information contained herein is presented only as guidance for Product use. No responsibility is assumed by TOSHIBA for any infringement of patents or any other intellectual property rights of third parties that may result from the use of Product. No license to any intellectual property right is granted by this document, whether express or implied, by estoppel or otherwise.
- **ABSENT A WRITTEN SIGNED AGREEMENT, EXCEPT AS PROVIDED IN THE RELEVANT TERMS AND CONDITIONS OF SALE FOR PRODUCT, AND TO THE MAXIMUM EXTENT ALLOWABLE BY LAW, TOSHIBA (1) ASSUMES NO LIABILITY WHATSOEVER, INCLUDING WITHOUT LIMITATION, INDIRECT, CONSEQUENTIAL, SPECIAL, OR INCIDENTAL DAMAGES OR LOSS, INCLUDING WITHOUT LIMITATION, LOSS OF PROFITS, LOSS OF OPPORTUNITIES, BUSINESS INTERRUPTION AND LOSS OF DATA, AND (2) DISCLAIMS ANY AND ALL EXPRESS OR IMPLIED WARRANTIES AND CONDITIONS RELATED TO SALE, USE OF PRODUCT, OR INFORMATION, INCLUDING WARRANTIES OR CONDITIONS OF MERCHANTABILITY, FITNESS FOR A PARTICULAR PURPOSE, ACCURACY OF INFORMATION, OR NONINFRINGEMENT.**
- Do not use or otherwise make available Product or related software or technology for any military purposes, including without limitation, for the design, development, use, stockpiling or manufacturing of nuclear, chemical, or biological weapons or missile technology products (mass destruction weapons). Product and related software and technology may be controlled under the applicable export laws and regulations including, without limitation, the Japanese Foreign Exchange and Foreign Trade Law and the U.S. Export Administration Regulations. Export and re-export of Product or related software or technology are strictly prohibited except in compliance with all applicable export laws and regulations.
- Please contact your TOSHIBA sales representative for details as to environmental matters such as the RoHS compatibility of Product. Please use Product in compliance with all applicable laws and regulations that regulate the inclusion or use of controlled substances, including without limitation, the EU RoHS Directive. **TOSHIBA ASSUMES NO LIABILITY FOR DAMAGES OR LOSSES OCCURRING AS A RESULT OF NONCOMPLIANCE WITH APPLICABLE LAWS AND REGULATIONS.**