

TOSHIBA Linear Integrated Circuit Silicon-Germanium Monolithic

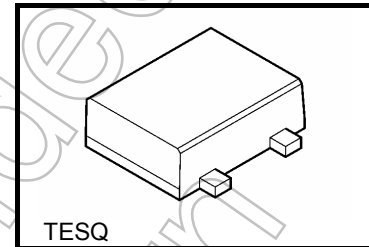
# TA4032FT

○ UHF Band Low Noise Amplifier Applications

- Thin Extreme Super mini Quad Package (4pin) : TESQ

## FEATURES

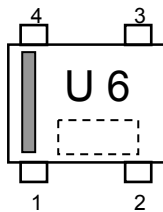
- Low Noise Figure:  $NF = 1\text{dB}$  (typ.) (@  $f=1.575\text{GHz}$ )
- High Gain:  $|S_{21e}|^2 = 14.8\text{dB}$  (typ.) (@  $f=1.575\text{GHz}$ )
- ESD immunity level improvement of TA4020FT.



TESQ

Weight: 1.5mg (typ.)

## Marking



No.	Pin Name
1	INPUT
2	GND
3	OUTPUT
4	V <sub>CC</sub>

## Absolute Maximum Ratings (Ta = 25°C)

Characteristics	Symbol	Rating	Unit
Voltage at pin V <sub>CC</sub>	V <sub>CC</sub>	5	V
Output Voltage	V <sub>OUT</sub>	3	V
Current into pin V <sub>CC</sub>	I <sub>CC</sub>	15	mA
Total Power dissipation	P <sub>D</sub>	100	mW
Junction temperature	T <sub>j</sub>	150	°C
Operate temperature Range	T <sub>opr</sub>	-40 to 85	°C
Storage temperature Range	T <sub>stg</sub>	-55 to 150	°C

Note: Using continuously under heavy loads (e.g. the application of high temperature/current/voltage and the significant change in temperature, etc.) may cause this product to decrease in the reliability significantly even if the operating conditions (i.e. operating temperature/current/voltage, etc.) are within the absolute maximum ratings and the operating ranges.

Please design the appropriate reliability upon reviewing the Toshiba Semiconductor Reliability Handbook ("Handling Precautions"/"Derating Concept and Methods") and individual reliability data (i.e. reliability test report and estimated failure rate, etc).

## Operation range

Characteristics	Symbol	Test Condition	Min	Typ.	Max	Unit
Voltage supply	V <sub>CC</sub>	—	2.5	3	5	V

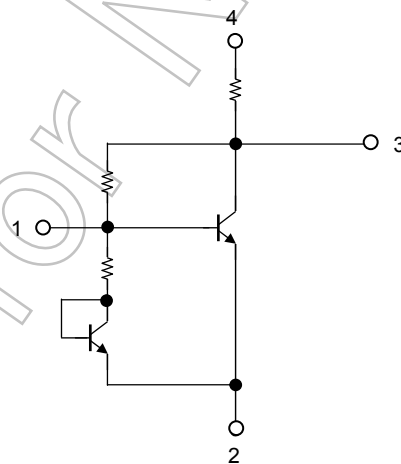
Start of commercial production  
2008-12

**Electrical Characteristics (Ta = 25°C)**

Characteristics	Symbol	Test Condition	Min	Typ.	Max	Unit
Circuit Current	I <sub>CC</sub>	V <sub>CC</sub> = 3V	3.8	5	6.5	mA
Insertion Gain	S <sub>21e</sub>   <sup>2</sup> (1)	V <sub>CC</sub> = 3V, f = 1.575GHz Z <sub>S</sub> =Z <sub>L</sub> =50Ω	13	14.8	—	dB
	S <sub>21e</sub>   <sup>2</sup> (2)	V <sub>CC</sub> = 3V, f = 2GHz Z <sub>S</sub> =Z <sub>L</sub> =50Ω	11	13	—	dB
	S <sub>21e</sub>   <sup>2</sup> (3)	V <sub>CC</sub> = 3V, f = 2.4GHz Z <sub>S</sub> =Z <sub>L</sub> =50Ω	10	11.7	—	dB
Noise Figure	NF(1)	V <sub>CC</sub> = 3V, f = 1.575GHz Z <sub>S</sub> =Z <sub>L</sub> =50Ω	—	1	1.2	dB
	NF(2)	V <sub>CC</sub> = 3V, f = 2GHz Z <sub>S</sub> =Z <sub>L</sub> =50Ω	—	1.05	1.25	dB
	NF(3)	V <sub>CC</sub> = 3V, f = 2.4GHz Z <sub>S</sub> =Z <sub>L</sub> =50Ω	—	1.15	1.4	dB
3 <sup>rd</sup> order intermodulation distortion input intercept point	IIP3	V <sub>CC</sub> = 3V, f = 1.575GHz, Δf = 1MHz Z <sub>S</sub> =Z <sub>L</sub> =50Ω	-11	-8.2	—	dBmW
3 <sup>rd</sup> order intermodulation distortion output intercept point	OIP3	V <sub>CC</sub> = 3V, f = 1.575GHz, Δf = 1MHz Z <sub>S</sub> =Z <sub>L</sub> =50Ω	2	5.9	—	dBmW
Input return loss	RL <sub>in</sub>	V <sub>CC</sub> = 3V, f = 1.575GHz Z <sub>S</sub> =Z <sub>L</sub> =50Ω	—	5.6	—	dB
Output return loss	RL <sub>out</sub>	V <sub>CC</sub> = 3V, f = 1.575GHz Z <sub>S</sub> =Z <sub>L</sub> =50Ω	—	7.8	—	dB
Isolation	ISL	V <sub>CC</sub> = 3V, f = 1.575GHz Z <sub>S</sub> =Z <sub>L</sub> =50Ω	—	24.3	—	dB

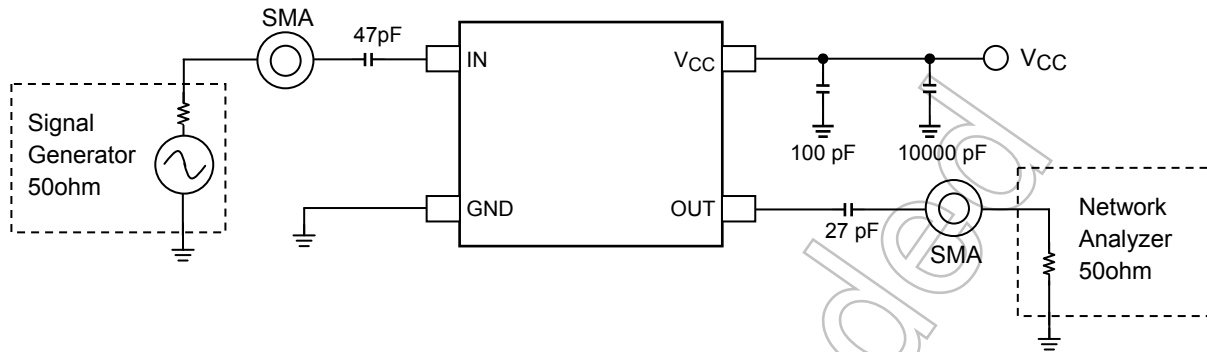
**Caution:**

This device is sensitive to electrostatic discharge due to the high frequency transistor process of f<sub>T</sub>=60GHz class is used for this product.  
Please make enough tool and equipment earthed when you handle.

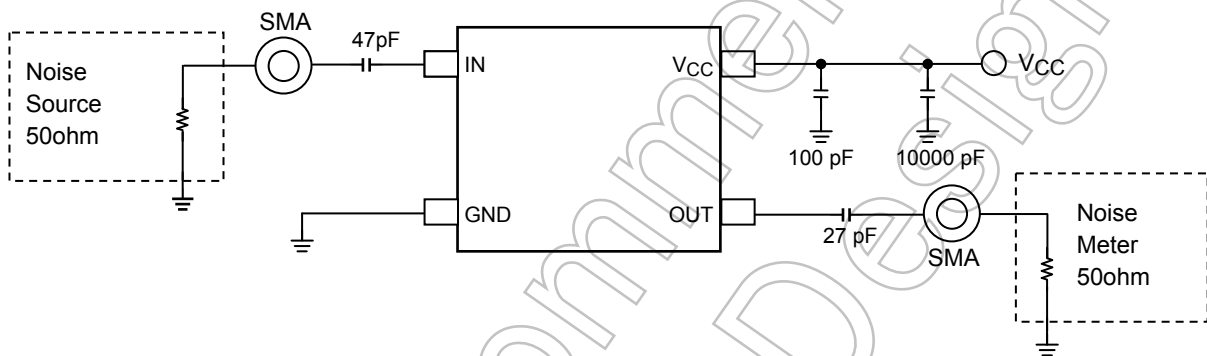


**Equivalent Circuit**

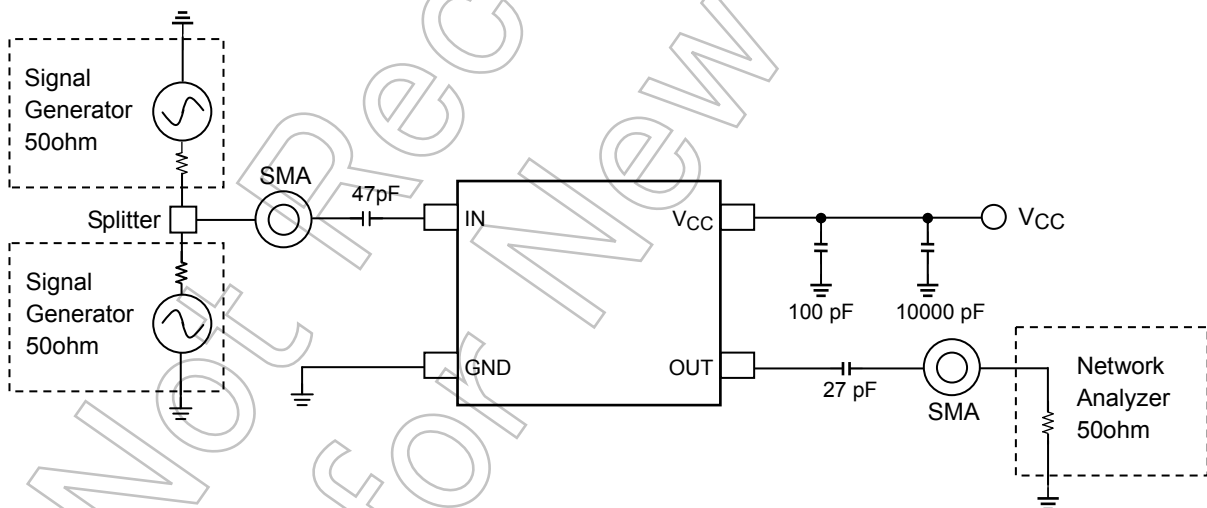
**RF Test Circuit (Top View)**



**Fig.1 S21, RLin, RLo, ISL Test Circuit**



**Fig.2 NF Test Circuit**



**Fig.3 OIP<sub>3</sub>, IIP<sub>3</sub> Test Circuit**

**Notice**

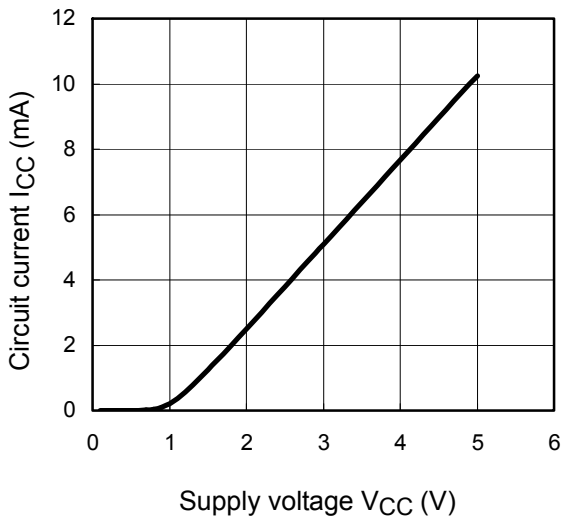
The circuits and measurements contained in this document are given only in the context of as examples of applications for these products.

Moreover, these example application circuits are not intended for mass production, since the high-frequency characteristics (the AC characteristics) of these devices will be affected by the external components which the customer uses, by the design of the circuit and by various other conditions.

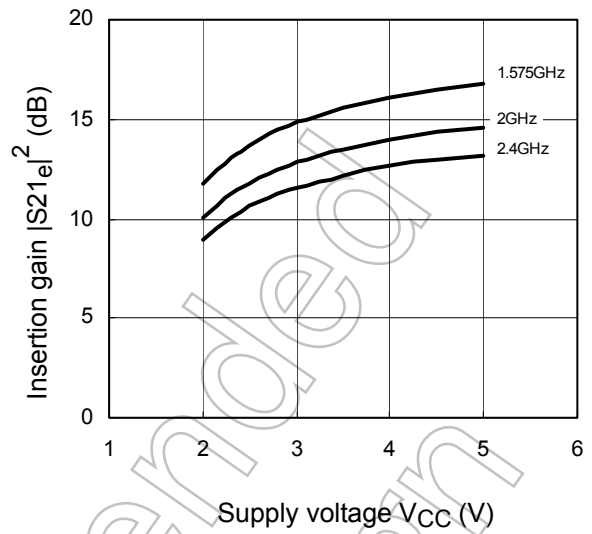
It is the responsibility of the customer to design external circuits which correctly implement the intended application, and to check the characteristics of the design.

TOSHIBA assume no responsibility for the integrity of customer circuit designs or applications.

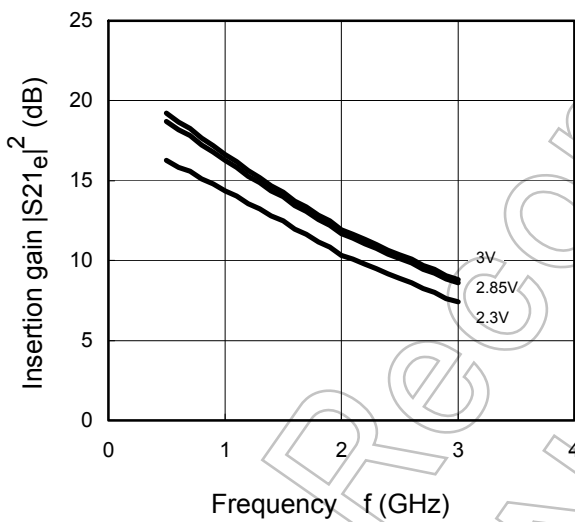
$I_{CC}-V_{CC}$



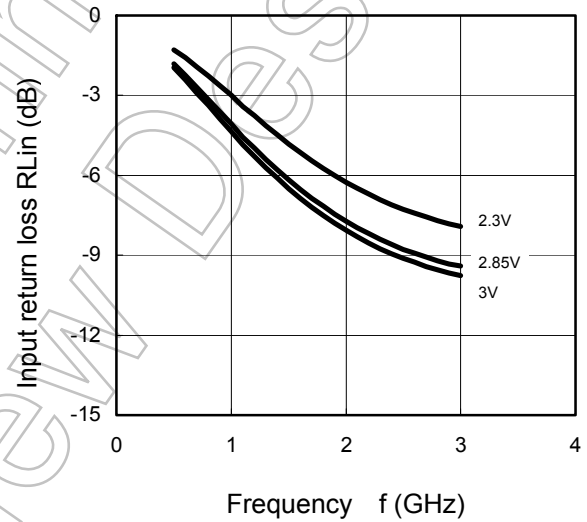
$|S_{21e}|^2-V_{CC}$



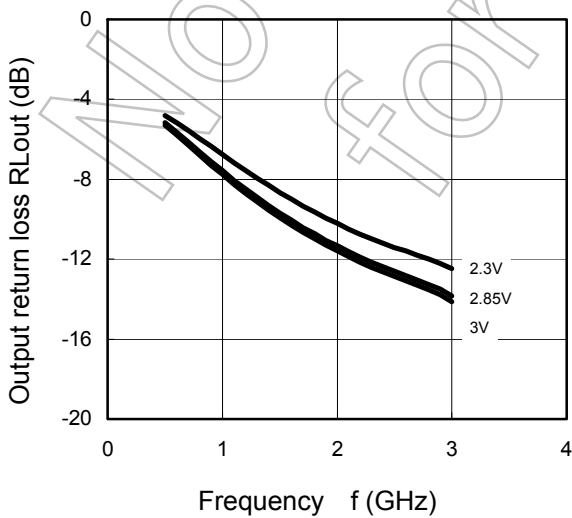
$|S_{21e}|^2-f$



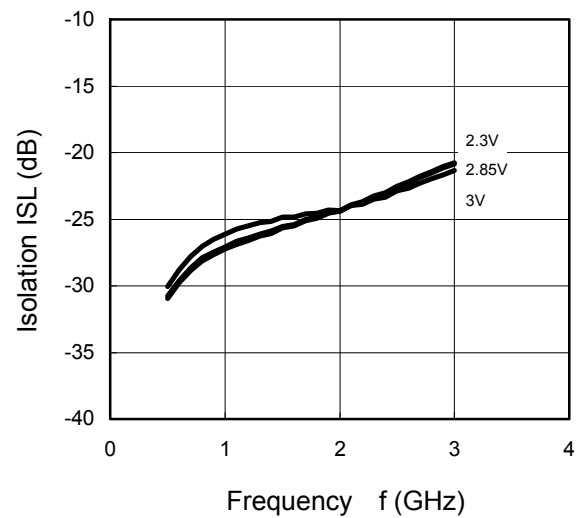
$RL_{in}-f$



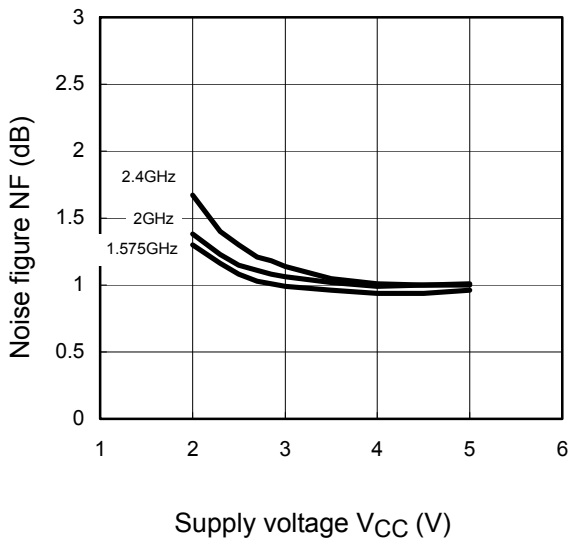
$RL_{out}-f$



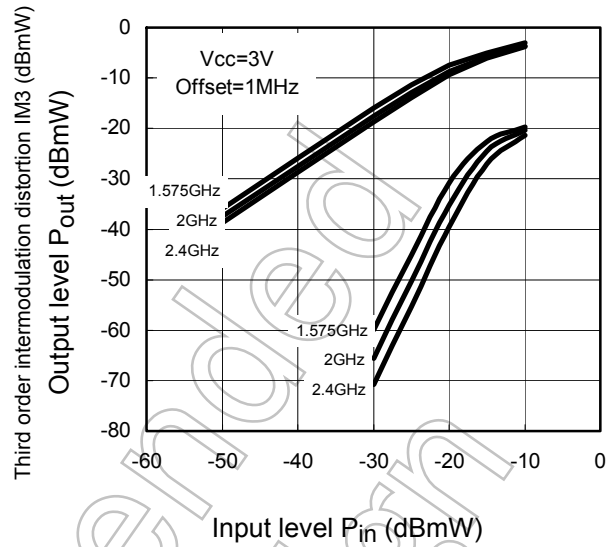
$ISL-f$



NF-V<sub>CC</sub>



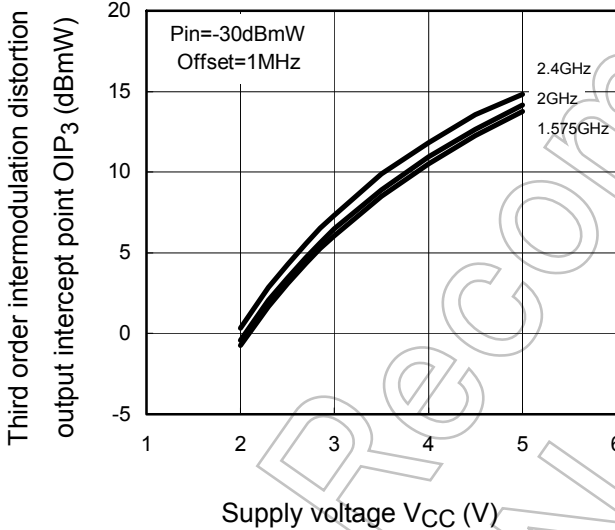
IM3/P<sub>out</sub>-P<sub>in</sub>



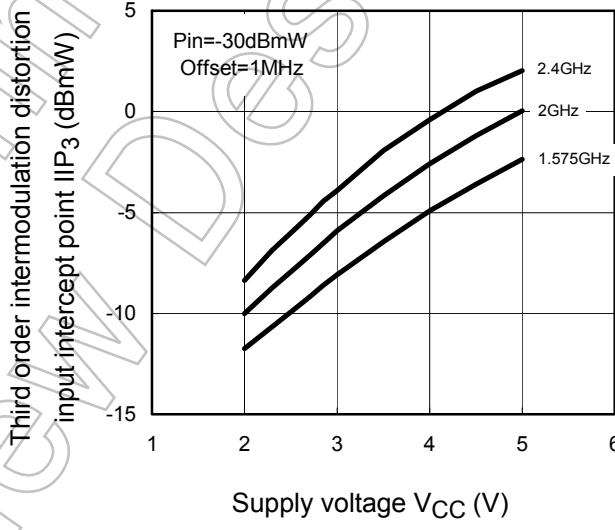
Supply voltage V<sub>CC</sub> (V)

Input level P<sub>in</sub> (dBmW)

OIP<sub>3</sub>-V<sub>CC</sub>



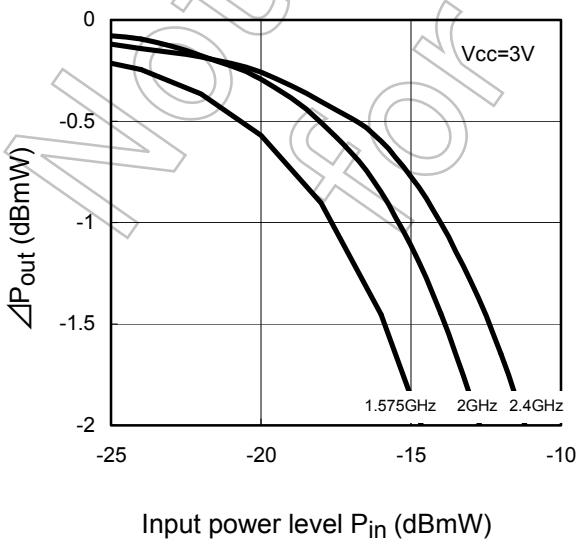
IIP<sub>3</sub>-V<sub>CC</sub>



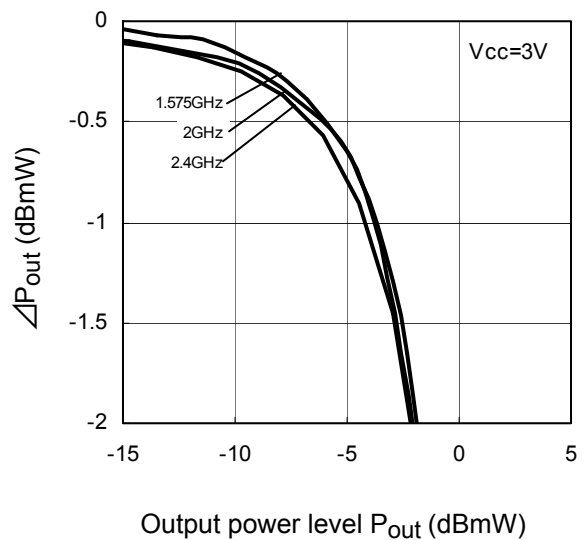
Supply voltage V<sub>CC</sub> (V)

Supply voltage V<sub>CC</sub> (V)

ΔP<sub>out</sub>-P<sub>in</sub>

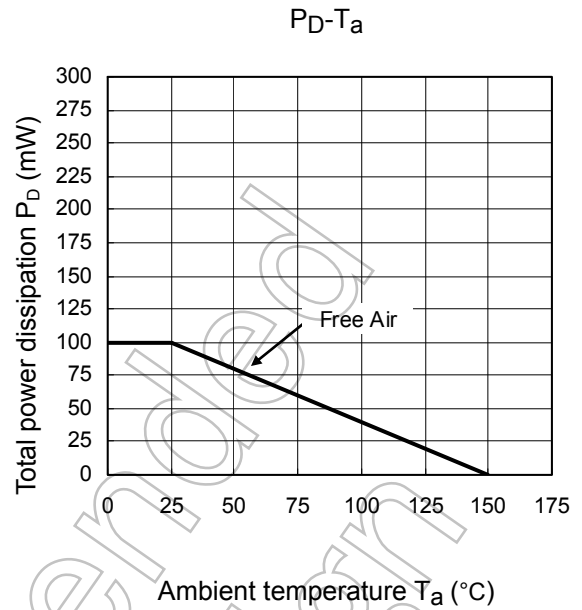
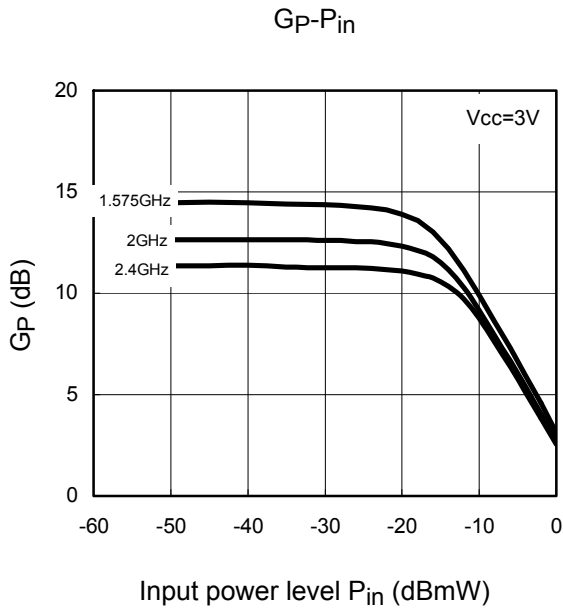


ΔP<sub>out</sub>-P<sub>out</sub>

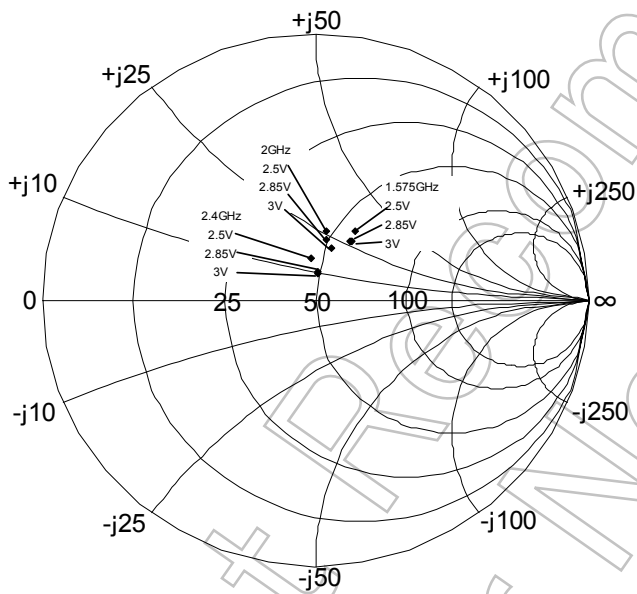


Input power level P<sub>in</sub> (dBmW)

Output power level P<sub>out</sub> (dBmW)



**NFmin Γ opt**

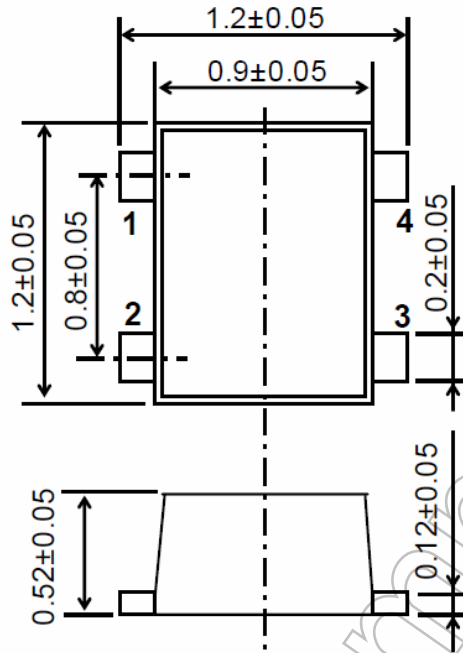


Frequency (GHz)	Vcc(V)	NFmin Γ opt			Rn
		NF(dB)	mag.( - )	ang.( ° )	
1.575	3	0.85	0.255	58.3	8.1
	2.85	0.87	0.258	60.2	8.4
	2.5	0.89	0.295	60.6	9.2
2	3	0.95	0.201	73.8	8.3
	2.85	0.96	0.229	80.2	7.3
	2.5	0.97	0.263	81.3	6.8
2.4	3	1.05	0.159	95.3	6.9
	2.85	1.10	0.107	86.2	6.2
	2.5	1.17	0.097	85.8	6.0

**Package Dimensions**

Unit: mm

SON4-P-0101-0.80



Weight: 1.5 mg (Typ.)

Not Recommended for New Design

## RESTRICTIONS ON PRODUCT USE

- Toshiba Corporation, and its subsidiaries and affiliates (collectively "TOSHIBA"), reserve the right to make changes to the information in this document, and related hardware, software and systems (collectively "Product") without notice.
- This document and any information herein may not be reproduced without prior written permission from TOSHIBA. Even with TOSHIBA's written permission, reproduction is permissible only if reproduction is without alteration/omission.
- Though TOSHIBA works continually to improve Product's quality and reliability, Product can malfunction or fail. Customers are responsible for complying with safety standards and for providing adequate designs and safeguards for their hardware, software and systems which minimize risk and avoid situations in which a malfunction or failure of Product could cause loss of human life, bodily injury or damage to property, including data loss or corruption. Before customers use the Product, create designs including the Product, or incorporate the Product into their own applications, customers must also refer to and comply with (a) the latest versions of all relevant TOSHIBA information, including without limitation, this document, the specifications, the data sheets and application notes for Product and the precautions and conditions set forth in the "TOSHIBA Semiconductor Reliability Handbook" and (b) the instructions for the application with which the Product will be used with or for. Customers are solely responsible for all aspects of their own product design or applications, including but not limited to (a) determining the appropriateness of the use of this Product in such design or applications; (b) evaluating and determining the applicability of any information contained in this document, or in charts, diagrams, programs, algorithms, sample application circuits, or any other referenced documents; and (c) validating all operating parameters for such designs and applications. **TOSHIBA ASSUMES NO LIABILITY FOR CUSTOMERS' PRODUCT DESIGN OR APPLICATIONS.**
- **PRODUCT IS NEITHER INTENDED NOR WARRANTED FOR USE IN EQUIPMENTS OR SYSTEMS THAT REQUIRE EXTRAORDINARILY HIGH LEVELS OF QUALITY AND/OR RELIABILITY, AND/OR A MALFUNCTION OR FAILURE OF WHICH MAY CAUSE LOSS OF HUMAN LIFE, BODILY INJURY, SERIOUS PROPERTY DAMAGE AND/OR SERIOUS PUBLIC IMPACT ("UNINTENDED USE").** Except for specific applications as expressly stated in this document, Unintended Use includes, without limitation, equipment used in nuclear facilities, equipment used in the aerospace industry, medical equipment, equipment used for automobiles, trains, ships and other transportation, traffic signaling equipment, equipment used to control combustions or explosions, safety devices, elevators and escalators, devices related to electric power, and equipment used in finance-related fields. **IF YOU USE PRODUCT FOR UNINTENDED USE, TOSHIBA ASSUMES NO LIABILITY FOR PRODUCT.** For details, please contact your TOSHIBA sales representative.
- Do not disassemble, analyze, reverse-engineer, alter, modify, translate or copy Product, whether in whole or in part.
- Product shall not be used for or incorporated into any products or systems whose manufacture, use, or sale is prohibited under any applicable laws or regulations.
- The information contained herein is presented only as guidance for Product use. No responsibility is assumed by TOSHIBA for any infringement of patents or any other intellectual property rights of third parties that may result from the use of Product. No license to any intellectual property right is granted by this document, whether express or implied, by estoppel or otherwise.
- **ABSENT A WRITTEN SIGNED AGREEMENT, EXCEPT AS PROVIDED IN THE RELEVANT TERMS AND CONDITIONS OF SALE FOR PRODUCT, AND TO THE MAXIMUM EXTENT ALLOWABLE BY LAW, TOSHIBA (1) ASSUMES NO LIABILITY WHATSOEVER, INCLUDING WITHOUT LIMITATION, INDIRECT, CONSEQUENTIAL, SPECIAL, OR INCIDENTAL DAMAGES OR LOSS, INCLUDING WITHOUT LIMITATION, LOSS OF PROFITS, LOSS OF OPPORTUNITIES, BUSINESS INTERRUPTION AND LOSS OF DATA, AND (2) DISCLAIMS ANY AND ALL EXPRESS OR IMPLIED WARRANTIES AND CONDITIONS RELATED TO SALE, USE OF PRODUCT, OR INFORMATION, INCLUDING WARRANTIES OR CONDITIONS OF MERCHANTABILITY, FITNESS FOR A PARTICULAR PURPOSE, ACCURACY OF INFORMATION, OR NONINFRINGEMENT.**
- Do not use or otherwise make available Product or related software or technology for any military purposes, including without limitation, for the design, development, use, stockpiling or manufacturing of nuclear, chemical, or biological weapons or missile technology products (mass destruction weapons). Product and related software and technology may be controlled under the applicable export laws and regulations including, without limitation, the Japanese Foreign Exchange and Foreign Trade Law and the U.S. Export Administration Regulations. Export and re-export of Product or related software or technology are strictly prohibited except in compliance with all applicable export laws and regulations.
- Please contact your TOSHIBA sales representative for details as to environmental matters such as the RoHS compatibility of Product. Please use Product in compliance with all applicable laws and regulations that regulate the inclusion or use of controlled substances, including without limitation, the EU RoHS Directive. **TOSHIBA ASSUMES NO LIABILITY FOR DAMAGES OR LOSSES OCCURRING AS A RESULT OF NONCOMPLIANCE WITH APPLICABLE LAWS AND REGULATIONS.**