

TOSHIBA Bi-CD Process Integrated Circuit Silicon Monolithic

TB67S158FTG

1. Summary/Features/Appearance

Constant voltage control DMOS driver incorporating 2 function modes (full parallel input and serial input).

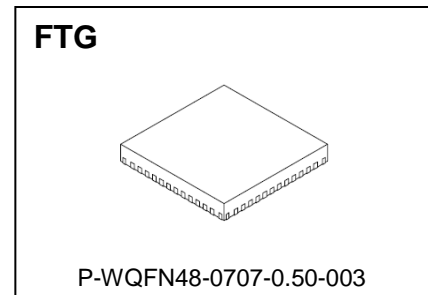
Summary

The TB67S158 is a constant voltage control DMOS driver. It can operate maximum of two unipolar stepping motors (max).

Mode1: Full parallel input (similar to transistor array)

Mode2: Serial input

Output voltage of 80V and maximum current of 1.5A are realized by applying BiCD process. Motor can be driven by single power supply of VM with the internal regulator.



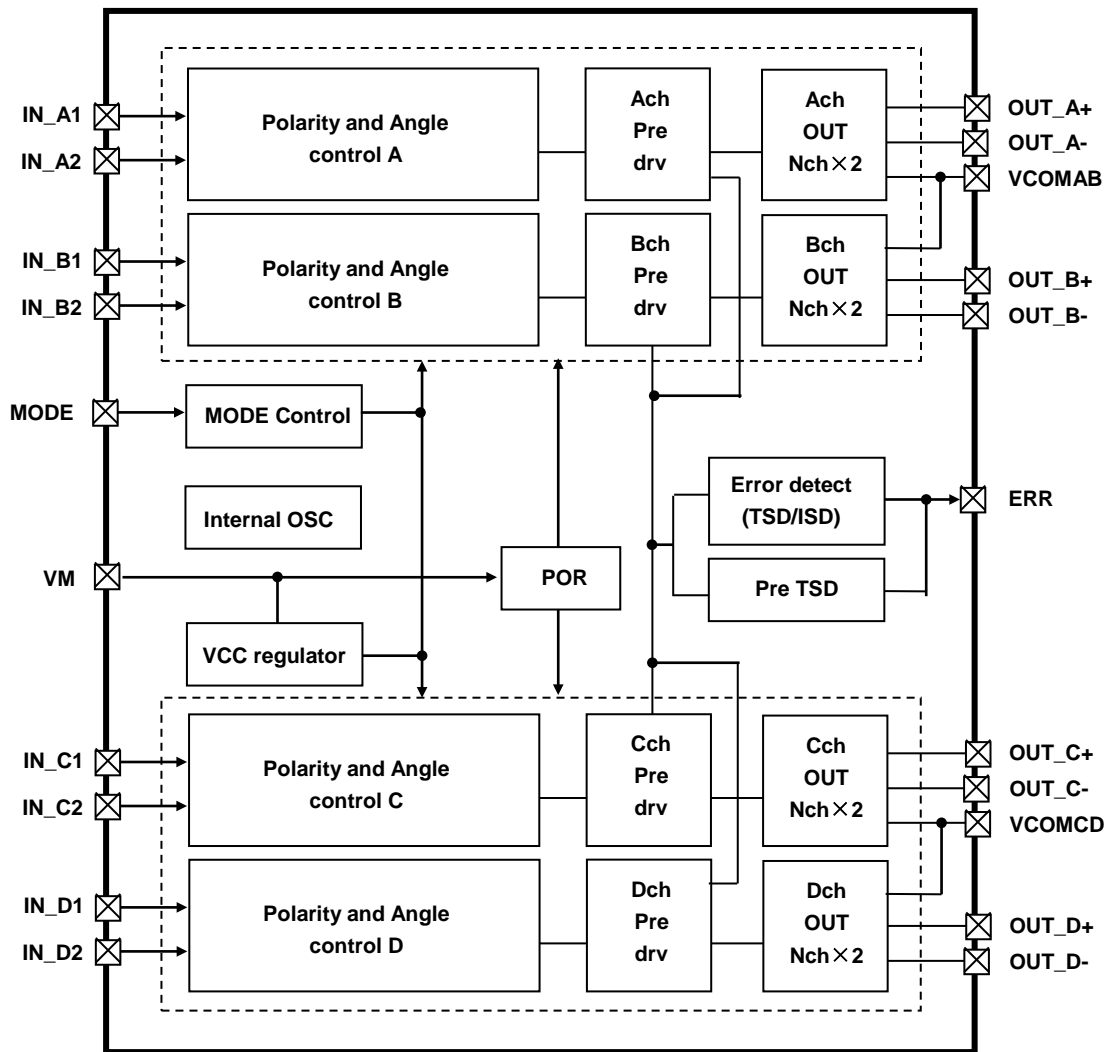
Weight: 1.1g (typ.)

Features

- Capable of operating maximum of two 2-phase unipolar stepping motors by one chip.
- High voltage and current (as for specifications, please refer to the absolute maximum ratings and operation ranges).
- Low on resistance ($R_{on}=0.5\Omega$ (typ.)) of output step is realized by BiCD process.
- Built-in VCC regulator for internal circuit control (capable of operating by only VM power supply)
- Capable of constant voltage driving (corresponding to 2-phase and 1-2-phase excitation drives)
- Built-in thermal shutdown circuit (TSD), over current detection (ISD), and power on reset of VM power supply
- ALERT signal can be outputted to outside when thermal shutdown circuit (TSD) or over current detection (ISD) operates

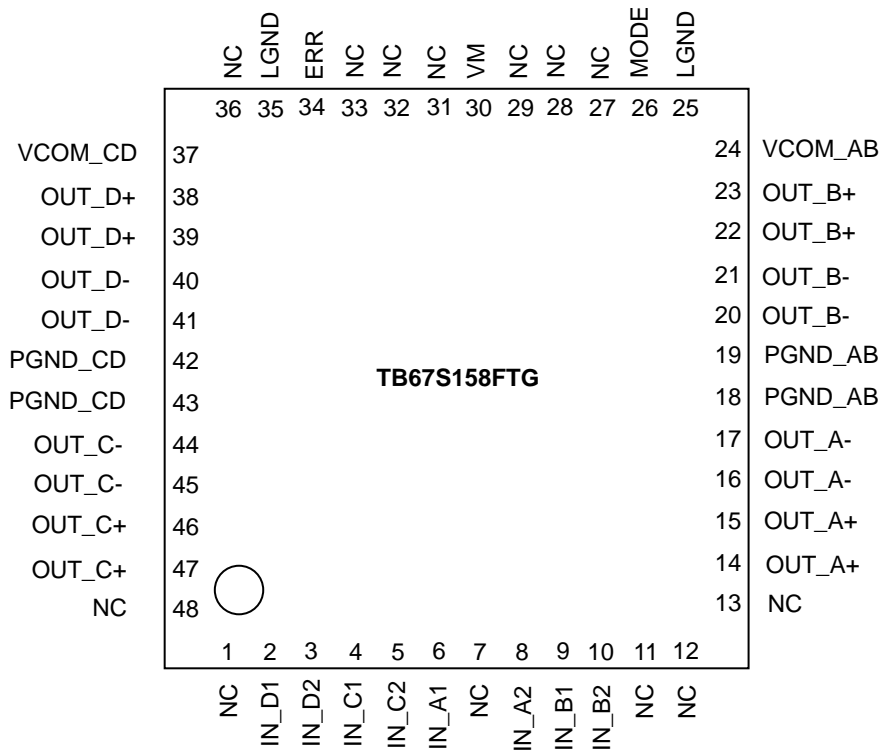
Note) Please be careful about the thermal conditions during use.

2. Block diagram: Mode1 (Full parallel mode)



3. Pin name/ assignment: Mode1 (Full parallel mode)

(Top View)



(*) Please mount the four corner pins of the QFN package and the exposed pad to the GND area of the PCB.

3-1. Application Notes

1) All the grounding wires of the device must run on the solder mask on the PCB and be externally terminated at only one point. Also, a grounding method should be considered for efficient heat dissipation.

2) When setting pin of each mode is controlled by SW, the voltage should be pull-up to the power supply which is the same voltage of the input signal or pull-down to the GND in order to avoid Hi-Z.

3) Careful attention should be paid to the layout of the output, VM and GND traces, to avoid short circuits across output pins or to the power supply or ground. If such a short circuit occurs, the device may be permanently damaged.

4) Also, the utmost care should be taken for pattern designing and implementation of the device since it has power supply pins (VM, OUT, GND, etc.) through which a particularly large current may run. If these pins are wired incorrectly, an operation error may occur or the device may be destroyed.

The logic input pins must also be wired correctly. Otherwise, the device may be damaged owing to a current running through the IC that is larger than the specified current.

3-2. Pin assignment of the TB67S158 (QFN48)

Pin No.	Full parallel(MODE=L)	Serial/Parallel(MODE=H)
1	NC	NC
2	IN_D1	DATA
3	IN_D2	CLK
4	IN_C1	ALM
5	IN_C2	NC
6	IN_A1	CLR
7	NC	NC
8	IN_A2	GATE
9	IN_B1	STBY
10	IN_B2	LATCH
11	NC	NC
12	NC	NC
13	NC	NC
14	OUT_A+	OUT_A+
15	OUT_A+	OUT_A+
16	OUT_A-	OUT_A-
17	OUT_A-	OUT_A-
18	PGND_AB	PGND_AB
19	PGND_AB	PGND_AB
20	OUT_B-	OUT_B-
21	OUT_B-	OUT_B-
22	OUT_B+	OUT_B+
23	OUT_B+	OUT_B+
24	VCOM_AB	VCOM_AB
25	LGND	LGND
26	MODE	MODE
27	NC	NC
28	NC	NC
29	NC	NC
30	VM	VM
31	NC	NC
32	NC	NC
33	NC	NC
34	ERR	ERR
35	LGND	LGND
36	NC	NC
37	VCOM_CD	VCOM_CD
38	OUT_D+	OUT_D+
39	OUT_D+	OUT_D+
40	OUT_D-	OUT_D-
41	OUT_D-	OUT_D-
42	PGND_CD	PGND_CD
43	PGND_CD	PGND_CD
44	OUT_C-	OUT_C-
45	OUT_C-	OUT_C-
46	OUT_C+	OUT_C+
47	OUT_C+	OUT_C+
48	NC	NC

* NC pins should be set open.

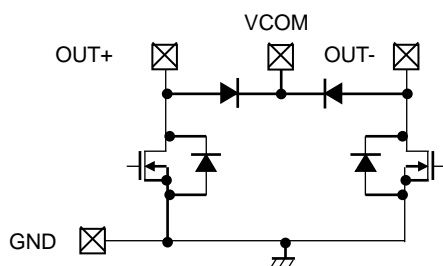
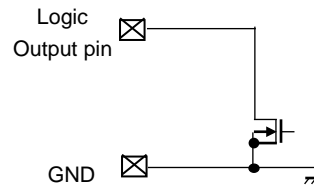
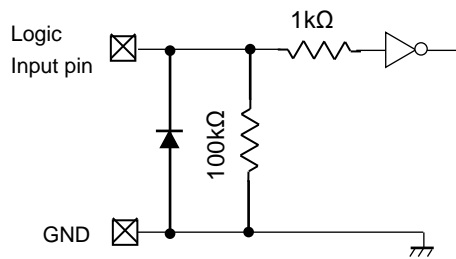
3-3. Pin description of the TB67S158 (QFN48)

Pin No.	Full parallel (MODE=L)	Serial/Parallel (MODE=H)
1	NC	NC
2	OUT_D+ ON pin	Input pin for serial data
3	OUT_D- ON pin	Input pin for serial clock
4	OUT_C+ ON pin	Output pin for rising temperature detection
5	OUT_C- ON pin	NC
6	OUT_A+ ON pin	Clear pin for storage register
7	NC	NC
8	OUT_A- ON pin	Clear pin for storage register
9	OUT_B+ ON pin	Standby setting pin
10	OUT_B- ON pin	Input pin for serial latch
11	NC	NC
12	NC	NC
13	NC	NC
14	Output + pin for phase A	Output + pin for phase A
15	Output + pin for phase A	Output + pin for phase A
16	Output - pin for phase A	Output - pin for phase A
17	Output - pin for phase A	Output - pin for phase A
18	Power ground pin	Power ground pin
19	Power ground pin	Power ground pin
20	Output - pin for phase B	Output - pin for phase B
21	Output - pin for phase B	Output - pin for phase B
22	Output + pin for phase B	Output + pin for phase B
23	Output + pin for phase B	Output + pin for phase B
24	Common pin for phase A and B	Common pin for phase A and B
25	LGND	LGND
26	Switching pin for I/F MODE (L setting)	Switching pin for I/F MODE (H setting)
27	NC	NC
28	NC	NC
29	NC	NC
30	Pin for main power supply	Pin for main power supply
31	NC	NC
32	NC	NC
33	NC	NC
34	Output pin for abnormal detection	Output pin for abnormal detection
35	Logic ground pin	Logic ground pin
36	NC	NC
37	Common pin for phase C and D	Common pin for phase C and D
38	Output + pin for phase D	Output + pin for phase D
39	Output + pin for phase D	Output + pin for phase D
40	Output - pin for phase D	Output - pin for phase D
41	Output - pin for phase D	Output - pin for phase D
42	Power ground pin	Power ground pin
43	Power ground pin	Power ground pin
44	Output - pin for phase C	Output - pin for phase C
45	Output - pin for phase C	Output - pin for phase C
46	Output + pin for phase C	Output + pin for phase C
47	Output + pin for phase C	Output + pin for phase C
48	NC	NC

4. Functional/Operation description

4-1. Pin interface

TB67S158FTG



The equivalent circuit diagrams may be simplified or some parts of them may be omitted for explanatory purposes.

Protection circuit

Note: Logic pin is pull-down or pull-up by the resistor of about 100 k Ω in the IC.
(Confirm the input equivalent circuit.)

Functional descriptionISD (over current detection)

ISD turns off the output of the motor when it detects over current (exceeding absolute maximum rating) in the output transistors. It is cleared when VM power supply is applied again or configured standby mode.

TSD (thermal shutdown circuit)

TSD turns off all outputs of the motor when it detects abnormal temperature ($T_j = 160^\circ\text{C}$ (typ.)) of the IC. It is cleared when VM power supply is applied again or configured standby mode.

VMR (VM power supply monitor) circuit

When the voltage of VM is higher than the specified value, output is set high level. When it is lower than the specified value, output is set low (internal status).

POR (Power On Reset) circuit

When both VMR and VCCR are high: Logic transistors = active, Other states: Logic transistors = OFF

5. MODE pin

MODE	Function	
L	Mode1	Full parallel control I/F (Similar operation of transistor array)
H	Mode2	Serial/Parallel conversion control I/F

6. Pin function of full parallel control IF (Mode1)

IN_X pin can control each transistor directly like transistor array.

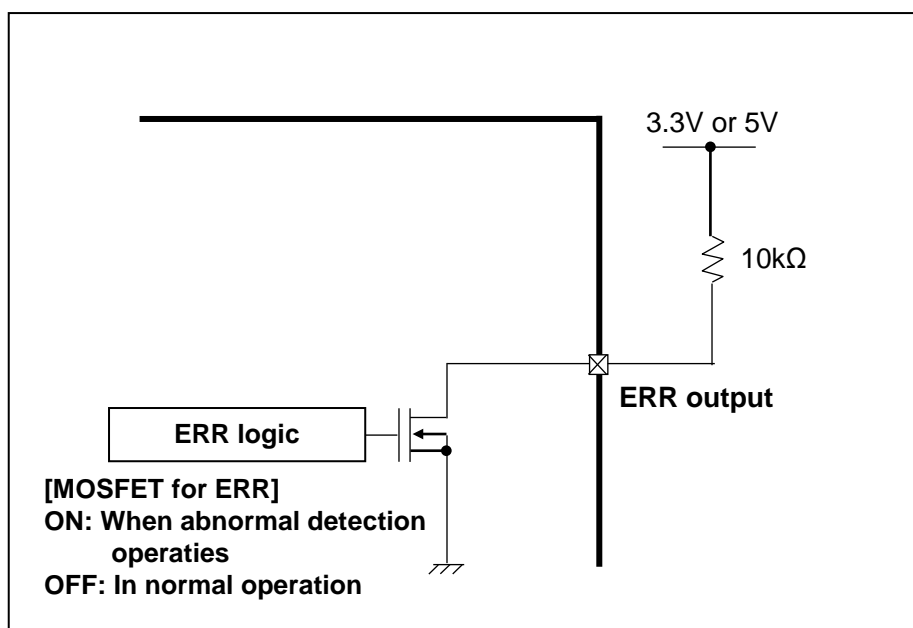
IN_A1	IN_A2	IN_B1	IN_B2	Function
L	-	-	-	OUT_A+=OFF
H	-	-	-	OUT_A+=ON
-	L	-	-	OUT_A-=OFF
-	H	-	-	OUT_A-=ON
-	-	L	-	OUT_B+=OFF
-	-	H	-	OUT_B+=ON
-	-	-	L	OUT_B-=OFF
-	-	-	H	OUT_B-=ON

IN_C1	IN_C2	IN_D1	IN_D2	Function
L	-	-	-	OUT_C+=OFF
H	-	-	-	OUT_C+=ON
-	L	-	-	OUT_C-=OFF
-	H	-	-	OUT_C-=ON
-	-	L	-	OUT_D+=OFF
-	-	H	-	OUT_D+=ON
-	-	-	L	OUT_D-=OFF
-	-	-	H	OUT_D-=ON

6-1. ERR (output function of abnormal detection)

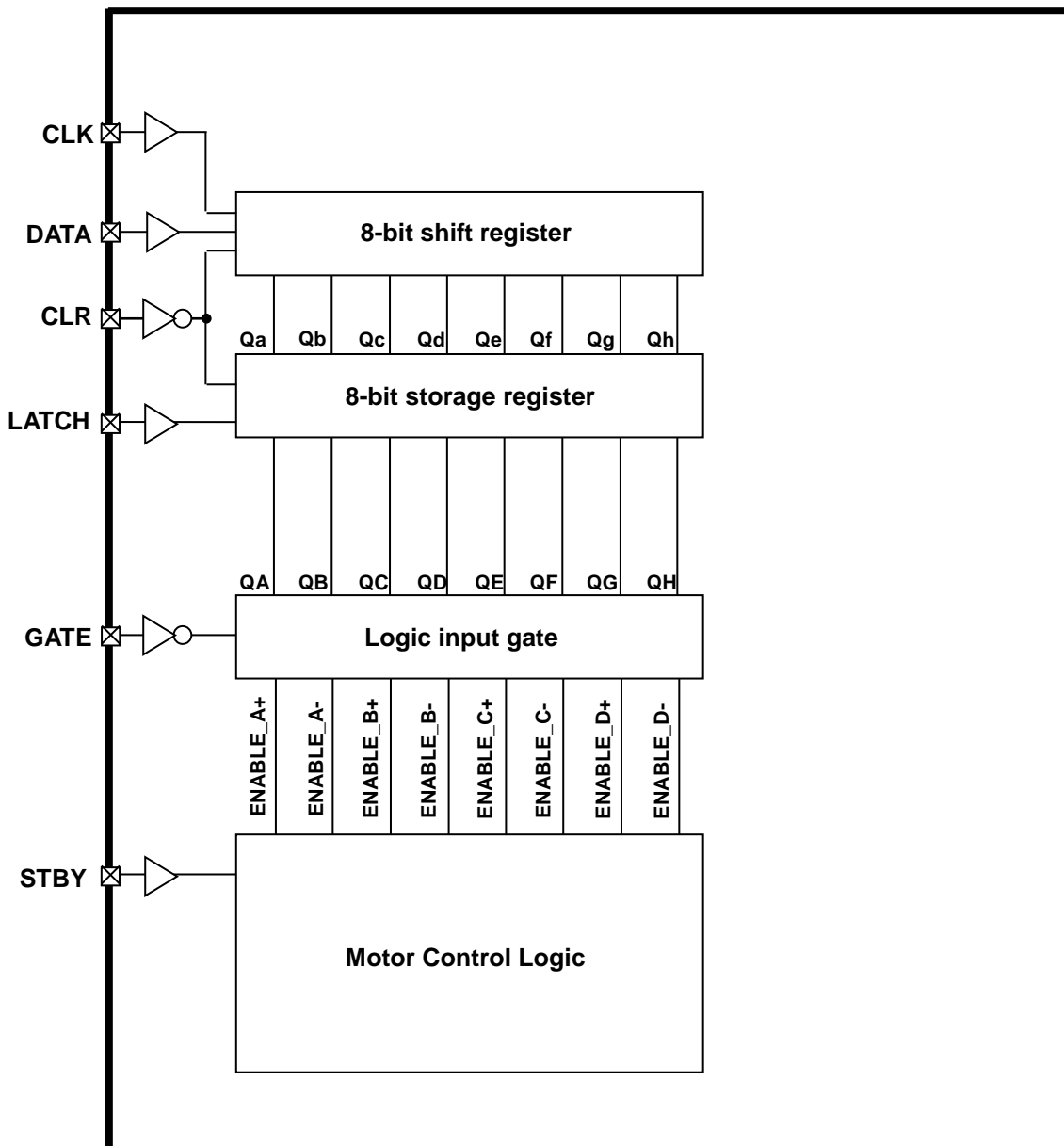
ERR output	Function
H	Normal operation
L	Abnormal detection (TSD or ISD)

ERR pin is a logic output pin of open drain type. It outputs high level (pull-up voltage level) in the normal operation. It outputs low (GND level) when TSD or ISD operates. When TSD or ISD detection is cleared, high level is outputted.



7. Pin function of serial/parallel conversion control I/F (Mode2)

7-1. Input interface (8-bit shift register + 8-bit storage register)



* Initial value for each logic pin when signal is not inputted

Pin name	Initial value
CLK	Low
DATA	Low
CLR	Low
LATCH	Low
GATE	High
STBY	Low

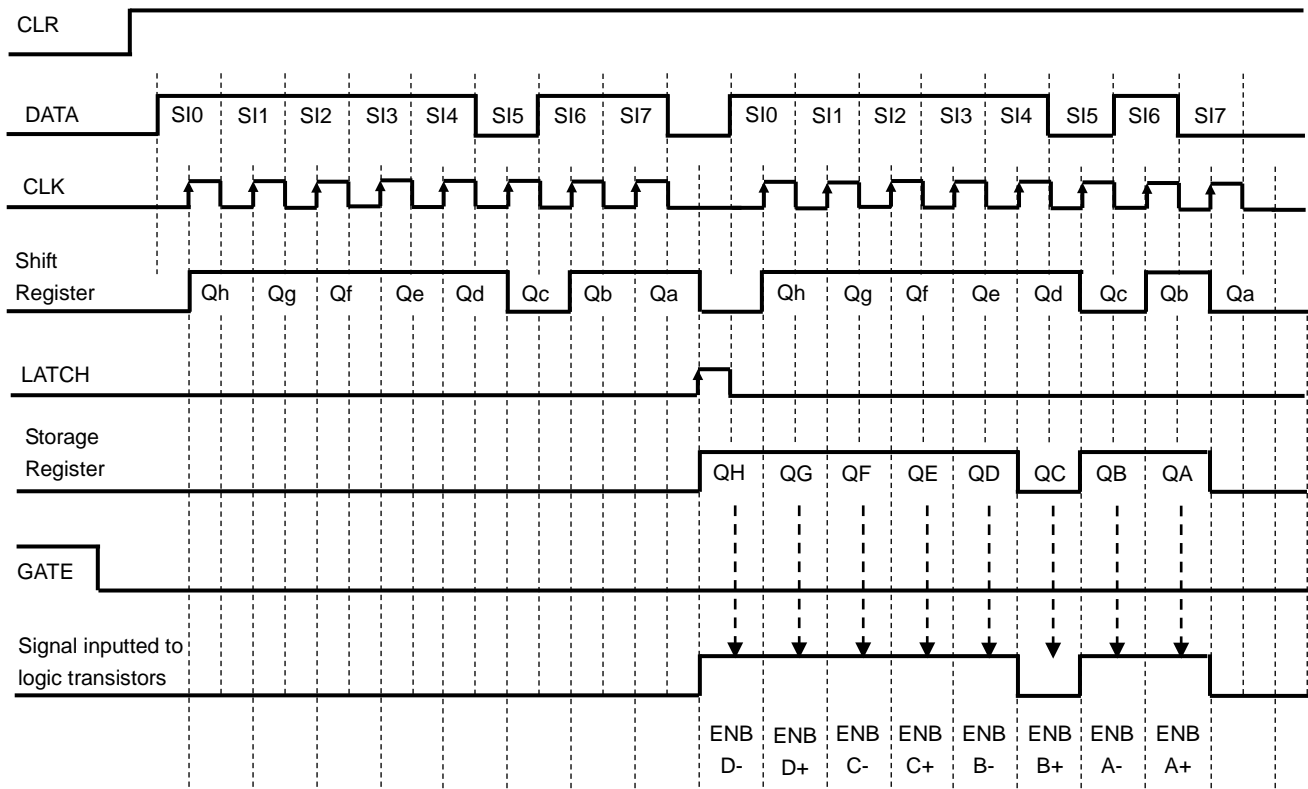
Initial state for each logic pin when signal is not inputted is as follows.

LATCH: Low=shift register/storage register: initial state

GATE: High=ENABLE_X+ENABLE_X-=Disable * "X" of ENABLE_X stands for A, B, C, and D.

STBY=Low: standby state

Timing chart of input signal (normal input)



• Truth table

Input					Function
CLK	DATA	CLR	LATCH	GATE	
X	X	X	X	L	Data of ENABLE_X+ and ENABLE_X-: Not applicable
X	X	X	X	H	Data of ENABLE_X+ and ENABLE_X-: Applicable
X	X	L	X	X	Data stored in the storage register is cleared
L	↑	H	X	X	The first step of the shift register: 'L', Others: data of each prior step is stored.
H	↑	H	X	X	The first step of the shift register: 'H', Others: data of each prior step is stored.
X	↓	H	X	X	Shift register keeps prior state.
X	X	H	↑	X	Data of shift register is stored in the storage register.
X	X	H	↓	X	Storage register keeps prior state.

Truth table: X=Don't care

* "X" of ENABLE_X stands for A, B, C, and D.

* Note: To operate logic output normally, SCK must be configured low in data transfer and complete.

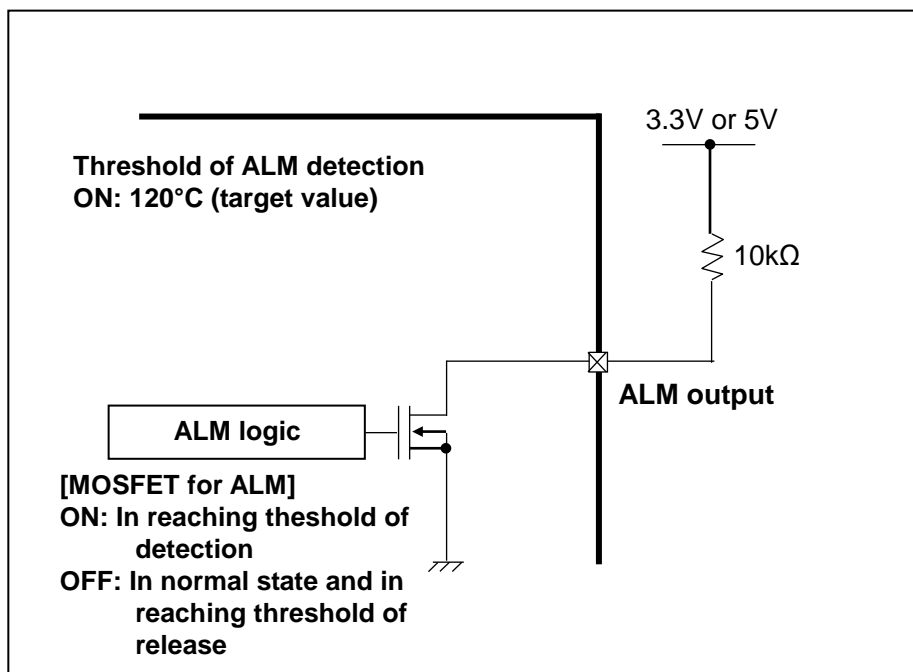
• Description of logic signal

Signal name	H	L	Notes
ENABLE_X	Output ON	Output OFF	When ENABLE_x is set low, output of corresponded channel is turned off (Hi-z).
STBY	Motor operation: enable	Turn off all functions of the IC	When STBY is set L, motor output is turned off. (Motor cannot operate).

7-2. Function of ALM (output function of thermal shutdown alarm) (Enable in serial/parallel conversion control I/F)

ALM output	Function
H	Normal operation
L	Thermal shutdown alarm function (Thermal_Alarm)

ALM pin is a logic output pin of open drain type. It outputs high (pull-up voltage level) in normal state. When the temperature of the IC reaches specified threshold (Thermal_Alarm), low level (GND level) is outputted. Function of ALM is cleared automatically when the temperature of the IC falls 30°C (target value) lower than the threshold of Thermal Alarm.



The equivalent circuit diagrams may be simplified or some parts of them may be omitted for explanatory purposes.

8. Absolute maximum ratings (Ta=25°C)

Characteristics	Symbol	Rating	Unit
Motor power supply VM	VM (max)	80	V
Motor output voltage	VOOUT (max)	80	V
Motor output current	IOOUT (max)	1.5	A
Internal logic power supply	VCC (max)	6.0	V
Logic input voltage	VIN (H)(max)	6.0	V
	VIN (L)(min)	-0.4	V
Open drain output pin (MO,ERR,ALM) voltage range	Vod (max)	6.0	V
Open drain output pin (MO,ERR,ALM) inflow current range	Iod (max)	20	mA
Power dissipation (Note)	PD	1.3	W
Operating temperature	Topr	-20 to 85	°C
Storage temperature	Tstg	-55 to 150	°C
Junction temperature	Tj (max)	150	°C

Note: Monolithic. When the temperature (Ta) exceeds 25°C, derate the value by 10.4mW/°C.

Ta: Ambient temperature of the IC

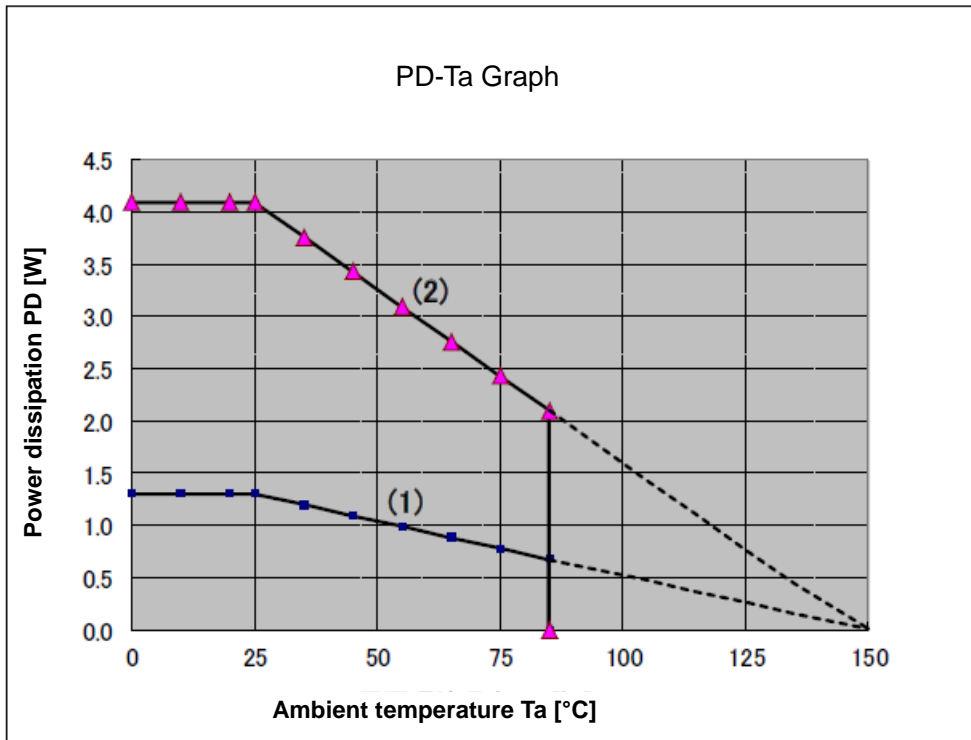
Topr: Ambient temperature of the IC under operation.

Tj: Chip temperature of the IC under operation. The maximum of Tj is limited by the temperature of TSD (thermal shutdown circuit). It is recommended to design the IC by considering the maximum of the usage current of 120°C.

Absolute maximum ratings

The absolute maximum ratings of a semiconductor device are a set of ratings that must not be exceeded, even for a moment. Do not exceed any of these ratings. Exceeding the rating (s) may cause device breakdown, damage or deterioration, and may result in injury by explosion or combustion. The value of even one parameter of the absolute maximum ratings should not be exceeded under any circumstances. The device does not have overvoltage detection circuit. Therefore, the device is damaged if a voltage exceeding its rated maximum is applied. All voltage ratings, including supply voltages, must always be followed. The other notes and considerations described later should also be referred to.

- (For reference) Relation of power dissipation and ambient temperature



- (1) Monolithic
- (2) When mounted on a 4-layer glass epoxy board (power dissipation example of $R_{th(j-a)}=25^{\circ}\text{C/W}$ (when mounted); dependent of board and mount condition.)

9. Operation ranges

Characteristics	Symbol	Test condition	Min	Typ.	Max	Unit
Motor power supply VM	VM	—	10	24	60	V
Motor output voltage	VOUT	Connecting to zener (24V)	10	48	60	V
Motor output current	IOUT	Ta=25°C per phase	—	1.0	1.5	A
Internal logic power supply	VCC	—	4.75	5.0	5.25	V
Logic input voltage	VIN (H)	Logic input high level	2.0	—	5.5	V
	VIN (L)	Logic input low level	0	—	0.8	V
Open drain pin voltage range	Vod (range)	ERR, ALM pin	3.0	—	5.5	V
Open drain pin inflow current range	Iod (range)	ERR, ALM pin	—	—	10	mA

(Note): Please use the device with extra margin regarding the absolute maximum ratings.

10. Electrical characteristics

10-1. DC electrical specifications 1 (Ta=25°C, VM=24V, unless otherwise specified)

Characteristics		Symbol	Test condition	Min	Typ.	Max	Unit
Logic input voltage		VIH	Logic input voltage High level	2.0	—	5.5	V
		VIL	Logic input voltage Low level	GND	—	0.8	V
Input hysteresis		VIN (HYS)	(Note 1)	100	—	300	mV
Logic input current	High	IIN (H)	Logic input voltage High level (VIN=3.3V)	—	33	55	μA
	Low	IIN (L)	Logic input voltage Low level	—	—	1	μA
IM consumption current		IM1	Output pins: open, VIN=VIL, Standby mode	—	0.7	1.0	mA
		IM2	Output pins: open, Normal operation Motor output steps: no operation	—	1.3	2.0	mA
Open drain logic output pin voltage		VOL	IOL=5mA (output pins: Low)	—	—	0.5	V
Regenerative diode Forward voltage		VFN	VM=24V, IOU=1.5A, Tj=25°C	—	1.2	—	V
Output transistor Drain-Source On-resistance		RON (D-S)	IOU=1.5A Tj=25°C	—	0.5	0.7	Ω

(Note 1): VIN (H) is defined as the VIN voltage that causes the outputs to change when the voltage of the test pin is gradually raised from 0 V. VIN (L) is defined as the VIN voltage that causes the outputs to change when the voltage of the pin is then gradually lowered. The difference between VIN (L) and VIN (H) is defined as the input hysteresis.

10-2. DC electrical specifications 2 (Ta=25°C, VM=24V, unless otherwise specified)

Characteristics	Symbol	Test condition	Min	Typ.	Max	Unit
Temperature threshold of thermal shutdown detection (TSD) (Note 1)	TjTSD	—	140	160	170	°C
VM recovery voltage	VMR	—	7.0	8.0	9.0	V
Over current detection (ISD) threshold (Note 2)	ISD	Single	1.6	3.0	4.0	A
		Large	3.2	6.0	8.0	

Note1) About Thermal shutdown (TSD)

When the junction temperature of the IC reaches the TSD threshold, the TSD circuit operates and turns off the output transistors. Noise rejection blanking time is provided to avoid misdetection by switching. (As for details, refer to the section of “Blanking time of TSD”.) The IC drives in the standby mode while TSD operates. Once the TSD circuit is triggered, the detect latch signal can be cleared by reasserting the VM power supply, or setting the device to standby mode. The TSD circuit is a backup function to detect a thermal error, therefore it is not recommended to be used aggressively.

Note2) About Over-current detection (ISD)

When the output current reaches the threshold, the ISD circuit operates and turns off the output transistors. Noise rejection blanking time is provided to avoid misdetection by switching. (As for details, refer to the section of “Blanking time of ISD”.) While ISD operates, the IC drives in the standby mode. After ISD circuit is triggered, the detect latch signal can be cleared by reasserting the VM power supply, or setting the device to standby mode.

Back-EMF

While a motor is rotating, there is a timing at which power is fed back to the power supply. At that timing, the motor current recirculates back to the power supply due to the effect of the motor back-EMF. If the power supply does not have enough sink capability, the power supply and output pins of the device might rise above the rated voltages. The magnitude of the motor back-EMF varies with usage conditions and motor characteristics. It must be fully verified that there is no risk that the device or other components will be damaged or fail due to the motor back-EMF.

Cautions on Overcurrent Shutdown (ISD) and Thermal Shutdown (TSD)

The ISD and TSD circuits are only intended to provide temporary protection against irregular conditions such as an output short-circuits; they do not necessarily guarantee the complete IC safety. If the device is used beyond the specified operating ranges, these circuits may not operate properly: then the device may be damaged due to an output short-circuit. The ISD circuit is only intended to provide a temporary protection against an output short-circuit. If such condition persists for a long time, the device may be damaged due to overstress. Overcurrent conditions must be removed immediately by external hardware.

IC Mounting

Do not insert devices incorrectly or in the wrong orientation. Otherwise, it may cause breakdown, damage and/or deterioration of the device.

10-3. AC electrical specifications (Ta=25°C, VM=24V, unless otherwise specified)

Characteristics	Symbol	Test condition	Min	Typ.	Max	Unit
Logic input frequency	fLogic	—	1.0	—	150	kHz
Minimum clock pulse width	twp	—	700	—	—	ns
	tw _n	—	700	—	—	ns
Output transistor	t _r	—	0.2	0.25	0.3	μs
	t _f	—	0.2	0.25	0.3	μs
Switching characteristics	t _{pLH}	Between "Logic" and "OUT"	—	1.2	—	μs
	t _{pHL}		—	1.2	—	μs
Over current detection (ISD) masking time	t _{ISD} (Mask)	Internal oscillation: 4MHz	—	2.0	—	μs
Over current detection (ISD) operating time	t _{ISD}		2.0	—	4.0	
Thermal shutdown detection (TSD) masking time	t _{TSD} (Mask)	Internal oscillation: 4MHz	—	8.0	—	μs

Timing chart: Switching characteristics of output transistors

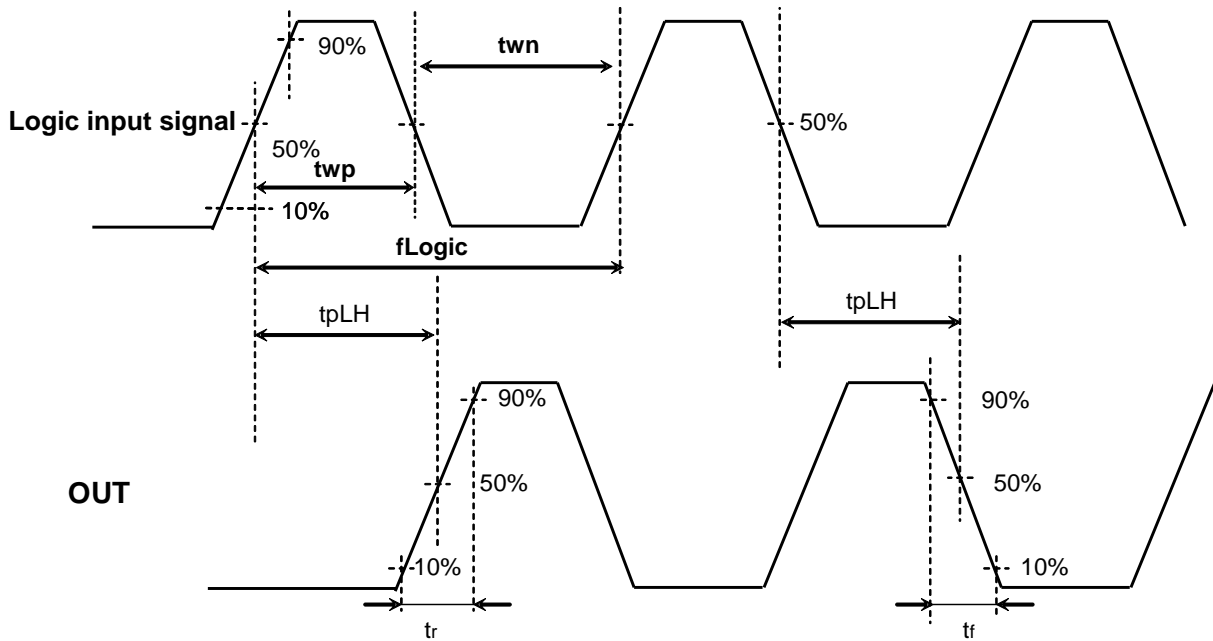


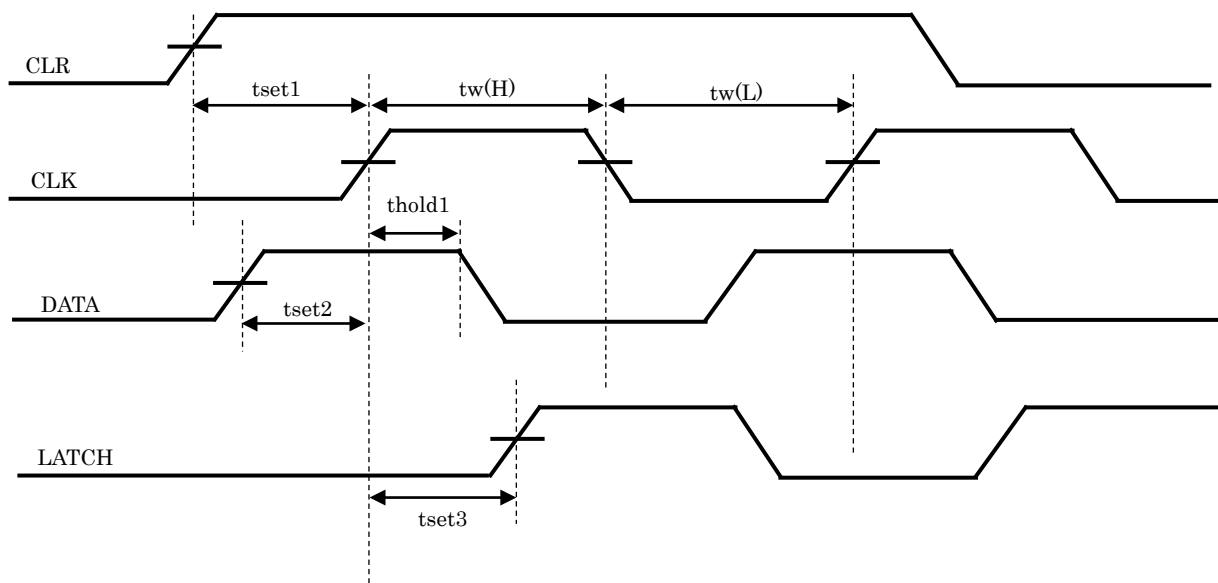
Figure 1 Logic input and switching characteristics of output transistors

Timing charts may be simplified for explanatory purposes.

10-4 AC electrical specifications [Serial/Parallel conversion]
(Ta = 25°C, VM = 24 V, 6.8 mH/5.7 Ω)

Characteristics	Symbol	Electrical characteristics	Test condition	Min	Typ.	Max	Unit
Minimum pulse width (SCK, RCK, and SI input signals)	tw (H)	AC	—	250	—	—	ns
	tw (L)		—	250	—	—	ns
Minimum setting up time	tset1		CLR -> CLK	50	—	—	ns
	tset2		DATA -> CLK	50	—	—	ns
	tset3		CLK -> LATCH	50	—	—	ns
Cycle time of minimum clock signal (SCK and RCK)	tcyc		—	500	—	—	ns
Minimum hold time	thold1		CLK -> DATA	50	—	—	ns

Timing chart: Switching characteristics of output transistors



Timing charts may be simplified for explanatory purposes.

Power consumption of the IC

Power consumption of the IC is separated into two; consumed by output transistors and by logic transistors.

1. Power consumption of power transistors (when $R_{ON} (D-S) = 0.5 \Omega$)

Electrical power of output block is consumed by transistors.

Electrical power of the transistors in one motor drive is indicated as follows;

$$P (\text{out}) = 2 (\text{number of channels}) \times I_{\text{out}} (\text{A})^2 \times R_{\text{on}} (\Omega) \dots\dots\dots (1)$$

When $R_{\text{on}} = 0.5 \Omega$ and $I_{\text{out}} = 1.0 \text{ A}$,

$$P (\text{out}) = 2 (\text{ch}) \times 1.0(\text{A})^2 \times 0.5 (\Omega) \dots\dots\dots (2)$$

$$= 1.0(\text{W})$$

2. Power consumption of logic and IM system

It is calculated by separating the states into driving mode and turning off mode.

$$I (\text{IM2}) = 2 \text{ mA (max)}$$

Power consumption can be estimated from below formula.

$$P (\text{IM}) = 24 (\text{V}) \times 0.002 (\text{A}) \dots\dots\dots (3)$$

$$= 0.048 (\text{W})$$

3. Power consumption

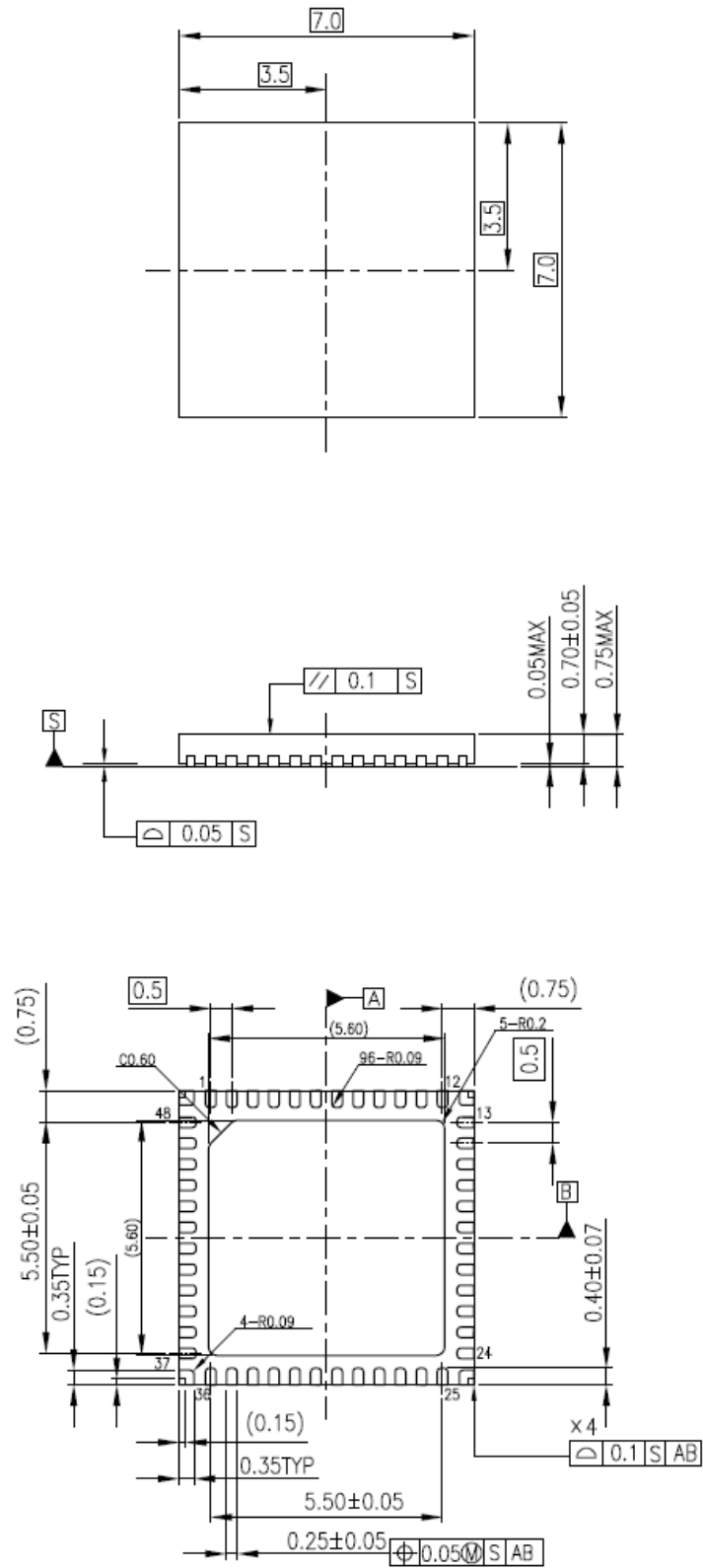
Whole power consumption (P) is calculated from the result of the calculations of (2) and (3).

$$P = P (\text{out}) + P (\text{IM}) = 1.048 (\text{W})$$

As for thermal design for the board, take enough margin to design after evaluating the IC with the actual board.

11. Package dimensions

Unit:mm



Weight:1.1g

Notes on Contents

Block Diagrams

Some of the functional blocks, circuits, or constants in the block diagram may be omitted or simplified for explanatory purposes.

Equivalent Circuits

The equivalent circuit diagrams may be simplified or some parts of them may be omitted for explanatory purposes.

Timing Charts

Timing charts may be simplified for explanatory purposes.

Application Circuits

The application circuits shown in this document are provided for reference purposes only. Thorough evaluation is required, especially at the mass-production design stage.

Toshiba does not grant any license to any industrial property rights by providing these examples of application circuits.

Test Circuits

Components in the test circuits are used only to obtain and confirm the device characteristics. These components and circuits are not guaranteed to prevent malfunction or failure from occurring in the application equipment.

IC Usage Considerations

Notes on handling of ICs

- (1) The absolute maximum ratings of a semiconductor device are a set of ratings that must not be exceeded, even for a moment. Do not exceed any of these ratings. Exceeding the rating(s) may cause device breakdown, damage or deterioration, and may result in injury by explosion or combustion.
- (2) Use an appropriate power supply fuse to ensure that a large current does not continuously flow in the case of overcurrent and/or IC failure. The IC will fully break down when used under conditions that exceed its absolute maximum ratings, when the wiring is routed improperly or when an abnormal pulse noise occurs from the wiring or load, causing a large current to continuously flow and the breakdown can lead to smoke or ignition. To minimize the effects of the flow of a large current in the case of breakdown, appropriate settings, such as fuse capacity, fusing time and insertion circuit location, are required.
- (3) If your design includes an inductive load such as a motor coil, incorporate a protection circuit into the design to prevent device malfunction or breakdown caused by the current resulting from the inrush current at power ON or the negative current resulting from the back electromotive force at power OFF. IC breakdown may cause injury, smoke or ignition. Use a stable power supply with ICs with built-in protection functions. If the power supply is unstable, the protection function may not operate, causing IC breakdown. IC breakdown may cause injury, smoke or ignition.
- (4) Do not insert devices in the wrong orientation or incorrectly. Make sure that the positive and negative terminals of power supplies are connected properly. Otherwise, the current or power consumption may exceed the absolute maximum rating, and exceeding the rating(s) may cause device breakdown, damage or deterioration, and may result in injury by explosion or combustion. In addition, do not use any device inserted in the wrong orientation or incorrectly to which current is applied even just once.
- (5) Carefully select external components (such as inputs and negative feedback capacitors) and load components (such as speakers), for example, power amp and regulator. If there is a large amount of leakage current such as from input or negative feedback condenser, the IC output DC voltage will increase. If this output voltage is connected to a speaker with low input withstand voltage, overcurrent or IC failure may cause smoke or ignition. (The overcurrent may cause smoke or ignition from the IC itself.) In particular, please pay attention when using a Bridge Tied Load (BTL) connection-type IC that inputs output DC voltage to a speaker directly.

Points to remember on handling of ICs

Overcurrent detection Circuit

Overcurrent detection circuits (referred to as current limiter circuits) do not necessarily protect ICs under all circumstances. If the overcurrent detection circuits operate against the overcurrent, clear the overcurrent status immediately.

Depending on the method of use and usage conditions, exceeding absolute maximum ratings may cause the overcurrent detection circuit to operate improperly or IC breakdown may occur before operation. In addition, depending on the method of use and usage conditions, if overcurrent continues to flow for a long time after operation, the IC may generate heat resulting in breakdown.

Thermal Shutdown Circuit

Thermal shutdown circuits do not necessarily protect ICs under all circumstances. If the thermal shutdown circuits operate against the over-temperature, clear the heat generation status immediately.

Depending on the method of use and usage conditions, exceeding absolute maximum ratings may cause the thermal shutdown circuit to operate improperly or IC breakdown to occur before operation.

Heat Radiation Design

When using an IC with large current flow such as power amp, regulator or driver, design the device so that heat is appropriately radiated, in order not to exceed the specified junction temperature (T_j) at any time or under any condition. These ICs generate heat even during normal use. An inadequate IC heat radiation design can lead to decrease in IC life, deterioration of IC characteristics or IC breakdown. In addition, when designing the device, take into consideration the effect of IC heat radiation with peripheral components.

Back-EMF

When a motor reverses the rotation in the reverse direction, stops or slows abruptly, current flows back to the motor's power supply owing to the effect of back-EMF. If the current sink capability of the power supply is small, the device's motor power supply and output pins might be exposed to conditions beyond the absolute maximum ratings. To avoid this problem, take the effect of back-EMF into consideration in system design.

RESTRICTIONS ON PRODUCT USE

Toshiba Corporation and its subsidiaries and affiliates are collectively referred to as "TOSHIBA".

Hardware, software and systems described in this document are collectively referred to as "Product".

- TOSHIBA reserves the right to make changes to the information in this document and related Product without notice.
- This document and any information herein may not be reproduced without prior written permission from TOSHIBA. Even with TOSHIBA's written permission, reproduction is permissible only if reproduction is without alteration/omission.
- Though TOSHIBA works continually to improve Product's quality and reliability, Product can malfunction or fail. Customers are responsible for complying with safety standards and for providing adequate designs and safeguards for their hardware, software and systems which minimize risk and avoid situations in which a malfunction or failure of Product could cause loss of human life, bodily injury or damage to property, including data loss or corruption. Before customers use the Product, create designs including the Product, or incorporate the Product into their own applications, customers must also refer to and comply with (a) the latest versions of all relevant TOSHIBA information, including without limitation, this document, the specifications, the data sheets and application notes for Product and the precautions and conditions set forth in the "TOSHIBA Semiconductor Reliability Handbook" and (b) the instructions for the application with which the Product will be used with or for. Customers are solely responsible for all aspects of their own product design or applications, including but not limited to (a) determining the appropriateness of the use of this Product in such design or applications; (b) evaluating and determining the applicability of any information contained in this document, or in charts, diagrams, programs, algorithms, sample application circuits, or any other referenced documents; and (c) validating all operating parameters for such designs and applications. **TOSHIBA ASSUMES NO LIABILITY FOR CUSTOMERS' PRODUCT DESIGN OR APPLICATIONS.**
- **PRODUCT IS NEITHER INTENDED NOR WARRANTED FOR USE IN EQUIPMENTS OR SYSTEMS THAT REQUIRE EXTRAORDINARILY HIGH LEVELS OF QUALITY AND/OR RELIABILITY, AND/OR A MALFUNCTION OR FAILURE OF WHICH MAY CAUSE LOSS OF HUMAN LIFE, BODILY INJURY, SERIOUS PROPERTY DAMAGE AND/OR SERIOUS PUBLIC IMPACT ("UNINTENDED USE").** Except for specific applications as expressly stated in this document, Unintended Use includes, without limitation, equipment used in nuclear facilities, equipment used in the aerospace industry, Class 3 medical devices, equipment used for automobiles, and military vehicles and munitions. **IF YOU USE PRODUCT FOR UNINTENDED USE, TOSHIBA ASSUMES NO LIABILITY FOR PRODUCT.** For details, please contact your TOSHIBA sales representative or contact us via our website.
- Do not disassemble, analyze, reverse-engineer, alter, modify, translate or copy Product, whether in whole or in part.
- Product shall not be used for or incorporated into any products or systems whose manufacture, use, or sale is prohibited under any applicable laws or regulations.
- The information contained herein is presented only as guidance for Product use. No responsibility is assumed by TOSHIBA for any infringement of patents or any other intellectual property rights of third parties that may result from the use of Product. No license to any intellectual property right is granted by this document, whether express or implied, by estoppel or otherwise.
- **ABSENT A WRITTEN SIGNED AGREEMENT, EXCEPT AS PROVIDED IN THE RELEVANT TERMS AND CONDITIONS OF SALE FOR PRODUCT, AND TO THE MAXIMUM EXTENT ALLOWABLE BY LAW, TOSHIBA (1) ASSUMES NO LIABILITY WHATSOEVER, INCLUDING WITHOUT LIMITATION, INDIRECT, CONSEQUENTIAL, SPECIAL, OR INCIDENTAL DAMAGES OR LOSS, INCLUDING WITHOUT LIMITATION, LOSS OF PROFITS, LOSS OF OPPORTUNITIES, BUSINESS INTERRUPTION AND LOSS OF DATA, AND (2) DISCLAIMS ANY AND ALL EXPRESS OR IMPLIED WARRANTIES AND CONDITIONS RELATED TO SALE, USE OF PRODUCT, OR INFORMATION, INCLUDING WARRANTIES OR CONDITIONS OF MERCHANTABILITY, FITNESS FOR A PARTICULAR PURPOSE, ACCURACY OF INFORMATION, OR NONINFRINGEMENT.**
- Do not use or otherwise make available Product or related software or technology for any military purposes, including without limitation, for the design, development, use, stockpiling or manufacturing of nuclear, chemical, or biological weapons or missile technology products (mass destruction weapons). Product and related software and technology may be controlled under the applicable export laws and regulations including, without limitation, the Japanese Foreign Exchange and Foreign Trade Law and the U.S. Export Administration Regulations. Export and re-export of Product or related software or technology are strictly prohibited except in compliance with all applicable export laws and regulations.
- Please contact your TOSHIBA sales representative for details as to environmental matters such as the RoHS compatibility of Product. Please use Product in compliance with all applicable laws and regulations that regulate the inclusion or use of controlled substances, including without limitation, the EU RoHS Directive. **TOSHIBA ASSUMES NO LIABILITY FOR DAMAGES OR LOSSES OCCURRING AS A RESULT OF NONCOMPLIANCE WITH APPLICABLE LAWS AND REGULATIONS.**

TOSHIBA ELECTRONIC DEVICES & STORAGE CORPORATION

<https://toshiba.semicon-storage.com/>