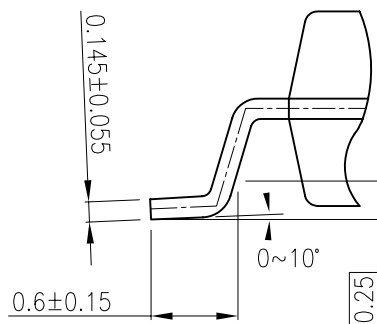
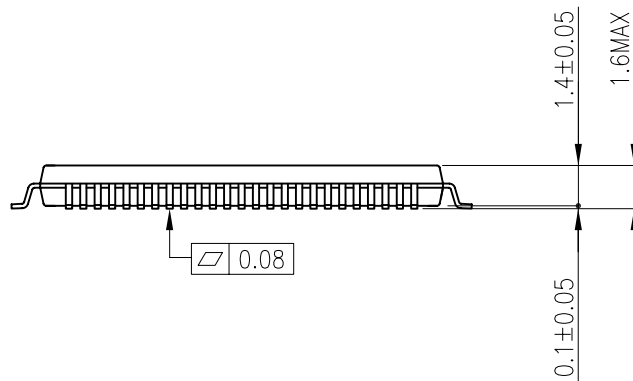
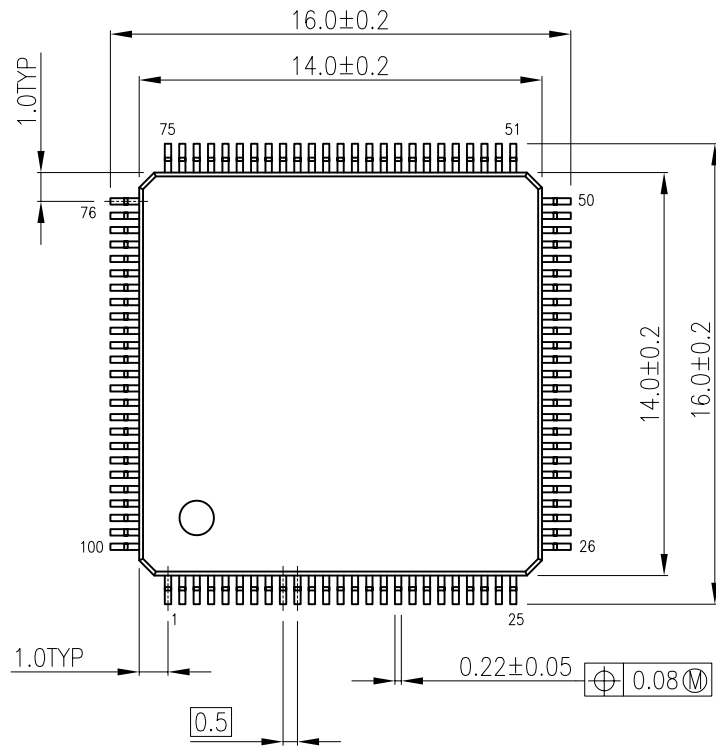


LQFP100-P-1414-0.50F



Note) The drawing is package outline.

If you have some question about the detail dimensions, please contact us.