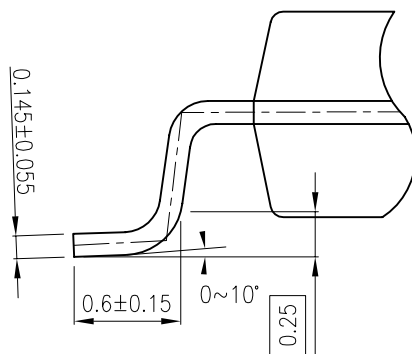
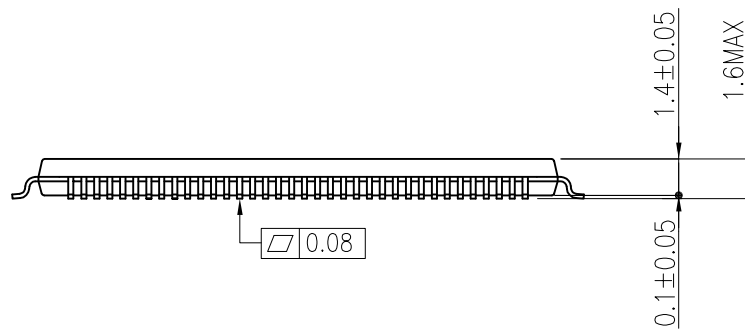
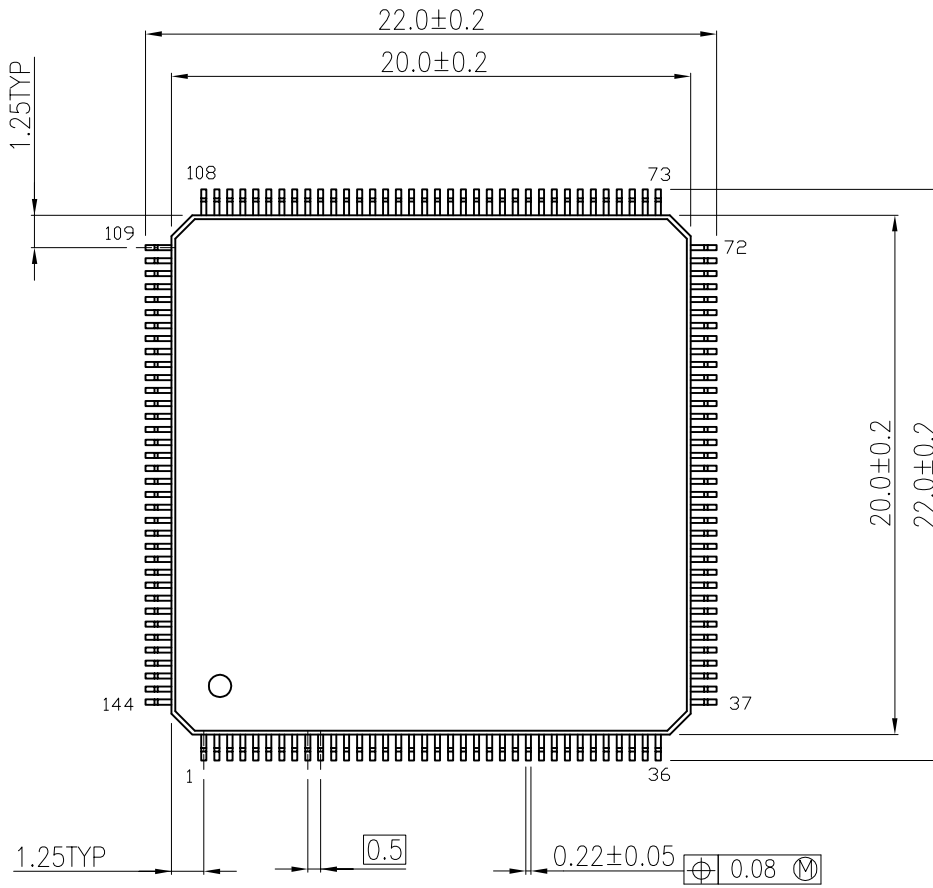


Package dimension

"Unit:mm"

LQFP144-P-2020-0.50D



Note) The drawing is package outline.
If you have some question about the detail dimensions, please contact us.