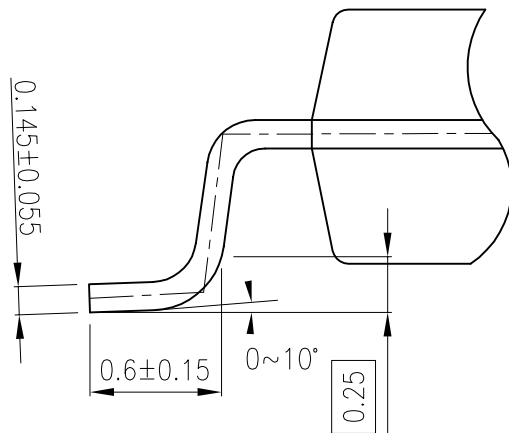
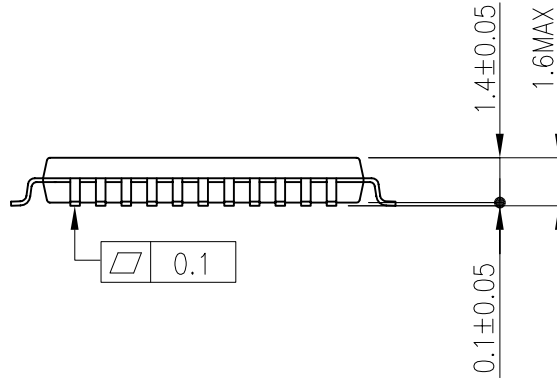
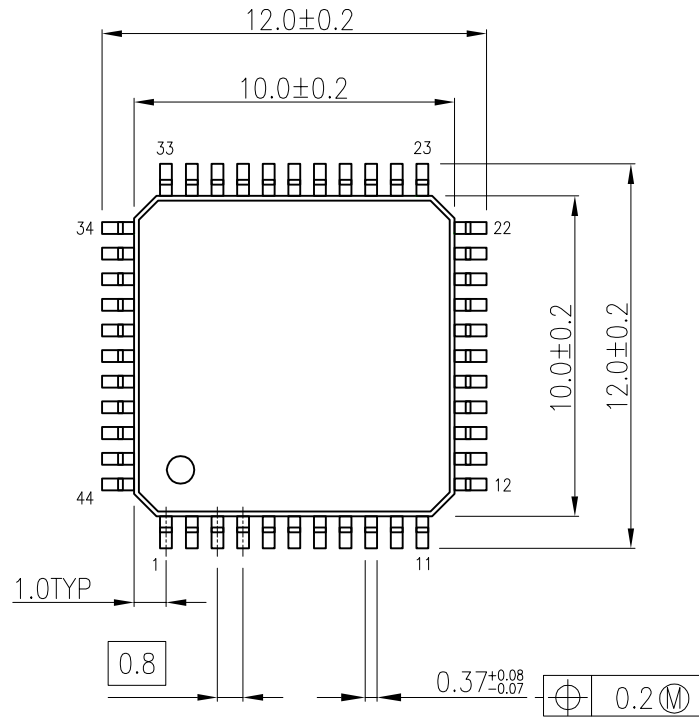


Package dimension

LQFP44-P-1010-0.80B

"Unit:mm"



Note) The drawing is package outline.
If you have some question about the detail dimensions, please contact us.