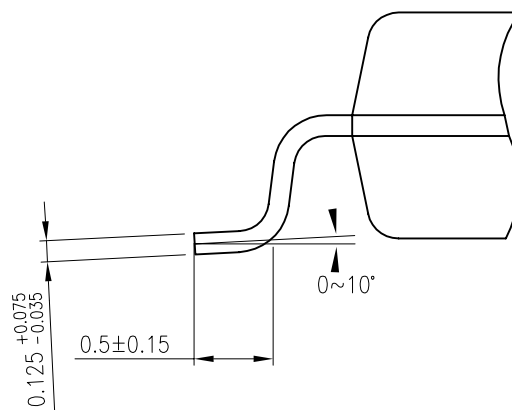
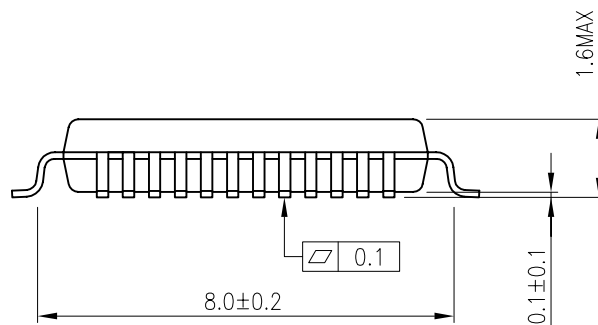
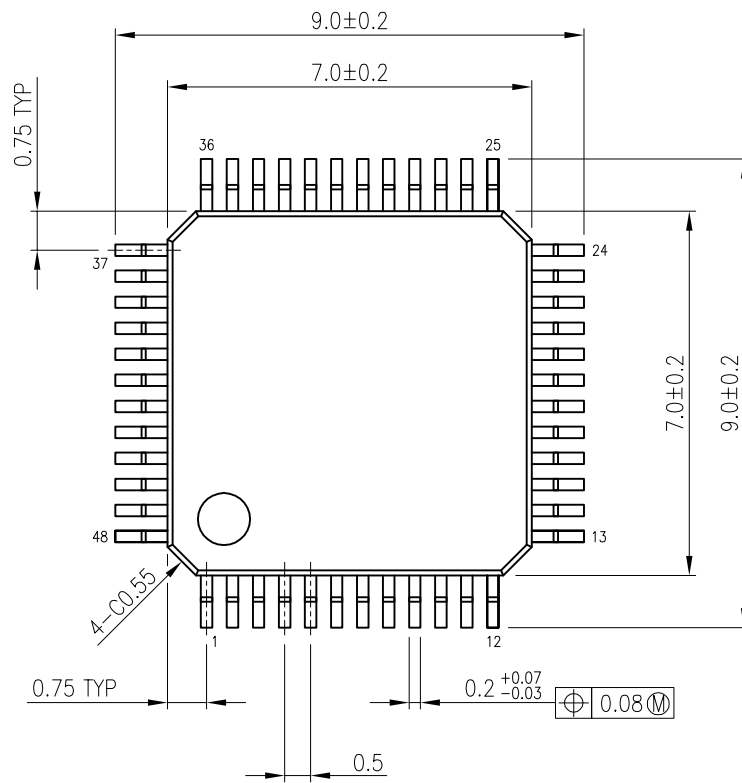


Package dimension

"Unit:mm"

LQFP48-P-0707-0.50C



Note) The drawing is package outline.

If you have some question about the detail dimensions, please contact us.

Rev02