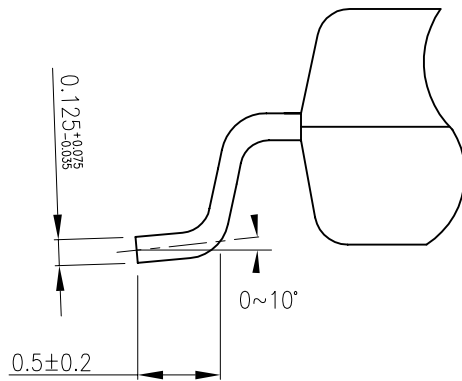
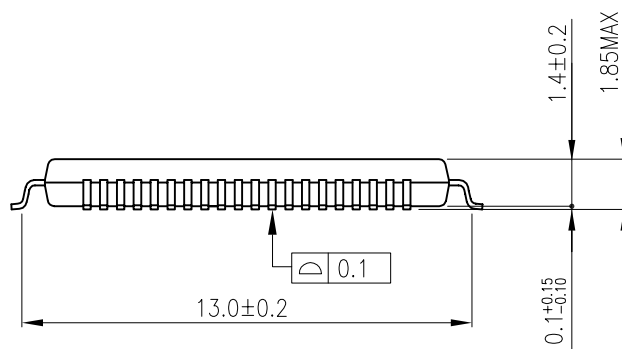
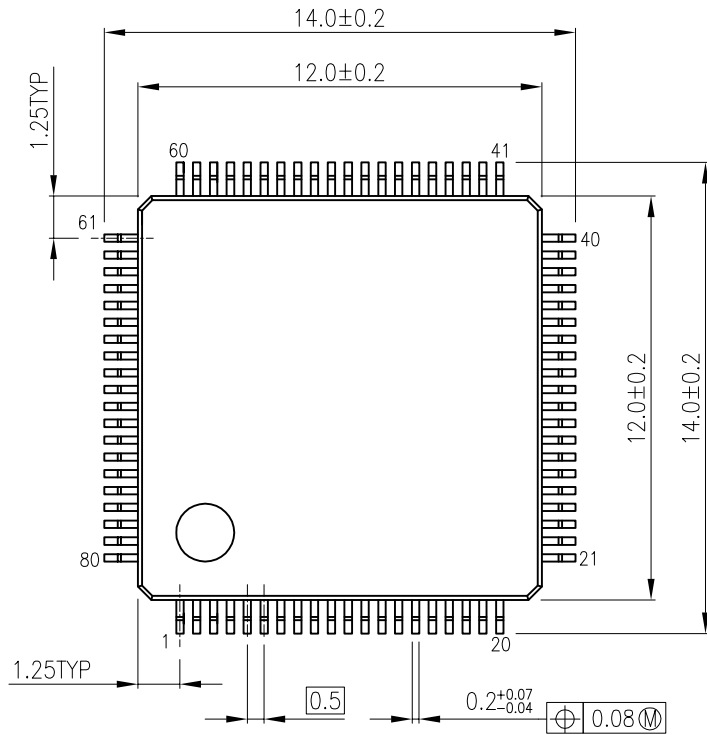


Package dimension

LQFP80-P-1212-0.50F

"Unit:mm"



Note) The drawing is package outline.  
If you have some question about the detail dimensions, please contact us.