

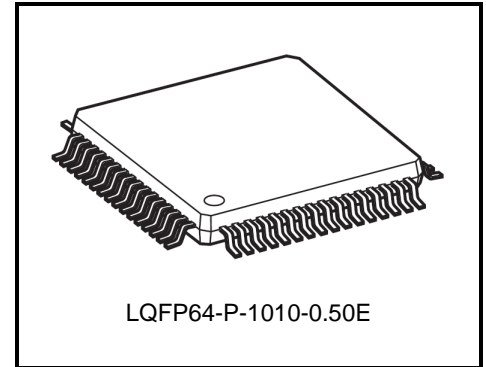
TOSHIBA CMOS Digital Integrated Circuit Silicon Monolithic

# TC90104FG

## Multi System Video Decoder IC

The TC90104FG is a single chip IC that converts analog video signals to digital video signals (ITU-R BT.601 / ITU-R BT.656 or 18bit digital RGB signal).

Additionally, the TC90104FG has a 3-channel A/D converter as an analog input interface, and has 3-line Y/C separation and multi-system color decoder functionality.



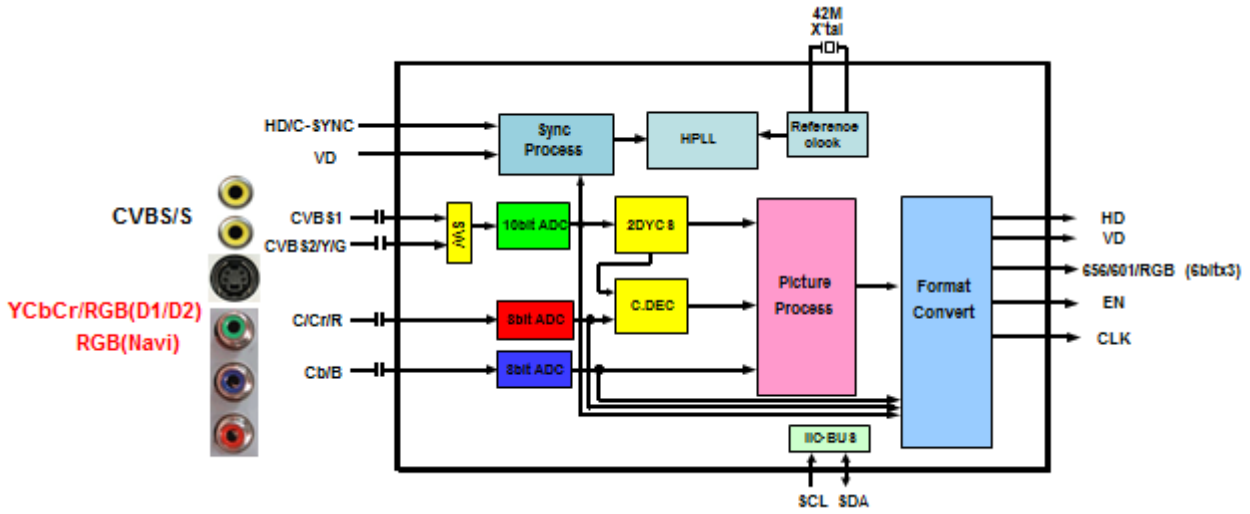
Weight: 0.4g (typ.)

### 1. Features

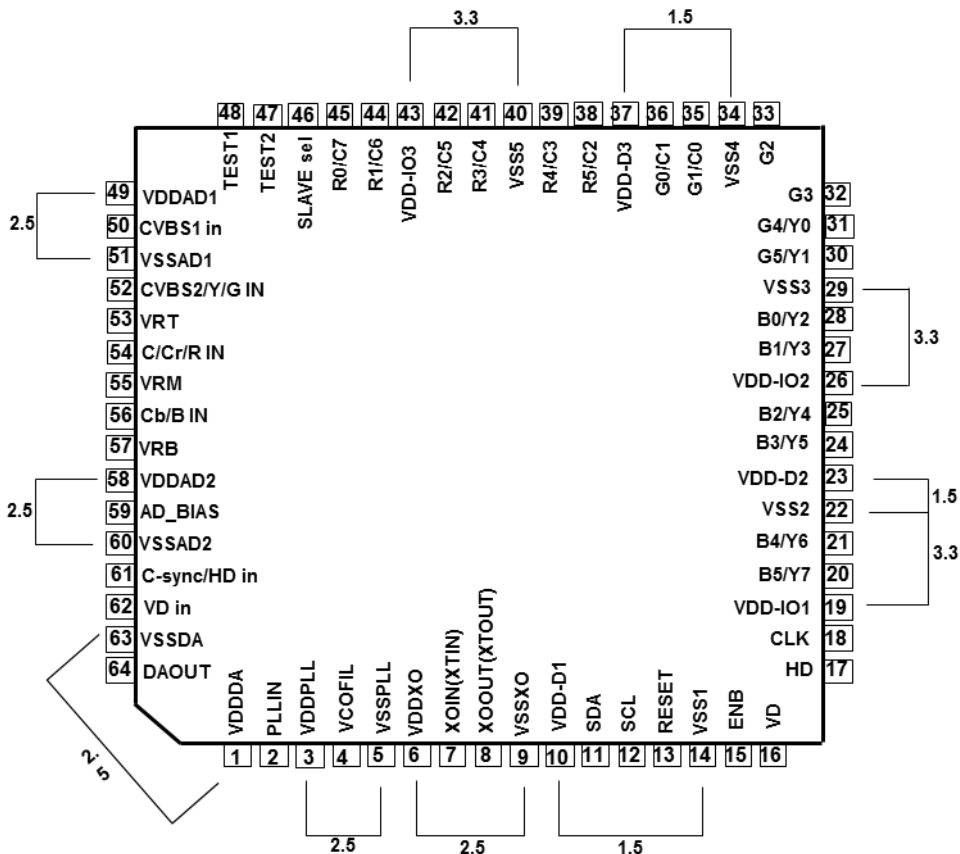
- Input: CVBS, Y/C(S-Video), YCbCr, RGB
- Multi-color decoder
- Adaptive multi-standard detection / sync processing
- Synchronous playback / Standard identification
- Y/C separation: 3-line YCS (NTSC/PAL)  
BPF processing. (SECAM)
- Picture process Y: V-Enhance, LTI, sharpness, noise cancel, contrast, brightness  
C: TOF, ACC, color gain, CTI, noise cancel  
RGB: color gain, color offset, gamma correction
- Analog RGB input: WQVGA to WVGA (dot by dot)
- ADC-clock phase adjustment (RGB input)
- Output: ITU-R BT.601 / ITU-R BT.656 in Video, RGB 6bit x 3 in RGB.
- I<sup>2</sup>C-bus control
- Package: LQFP 64 pin (0.50 mm pitch)
- Power supply: 3.3 V, 2.5 V, 1.5 V

**2. Block Diagram**

To explain the function, there are omitted part for function block and application circuit.



**3. Pin Layout**



**4. Pin Descriptions**

Pin No.	Pin Name	Pin Function	Pin type	Standard withstand voltage [V]	Processing at unused time
1	VDDDA	2.5 V power supply for DAC	VDD	2.5	-
2	PLLIN	Input of PLL circuit for clock	IN	2.5	-
3	VDDPLL	2.5 V power supply for PLL circuit	VDD	2.5	-
4	VCOFIL	Filter terminal for PLL circuit	Bias	2.5	-
5	VSSPLL	GND for PLL circuit	VSS	0	-
6	VDDXO	Power supply for X'tal circuit	VDD	2.5	-
7	XOIN	Input for X'tal circuit	IN	2.5	-
8	XOOUT	Output for X'tal circuit	OUT	2.5	-
9	VSSXO	GND for X'tal circuit	GND	0	-
10	VDD-D1	1.5 V power supply for Logic circuit	VDD	1.5	-
11	SDA	Serial data input/output <I <sup>2</sup> C-BUS>	I / O	5	-
12	SCL	Serial clock input <I <sup>2</sup> C-BUS>	IN	5	-
13	RESET	System reset	IN	3.3	-
14	VSS1	GND for logic	GND	0	-
15	ENB	Enable signal output	OUT	3.3	Open
16	VD	Vertical timing signal output	OUT	3.3	Open
17	HD	Horizontal timing signal output	OUT	3.3	Open
18	CLK	Clock signal output	OUT	3.3	-
19	VDD-IO1	3.3 V power supply for I/O circuit	VDD	3.3	-
20	B5/Y7	B5 / Y7 signal output	OUT	3.3	-
21	B4/Y6	B4 / Y6 signal output	OUT	3.3	-
22	VSS2	GND for logic	GND	0	-
23	VDD-D2	1.5V power supply for logic circuit	VDD	1.5	-
24	B3/Y5	B3 / Y5 signal output	OUT	3.3	-
25	B2/Y4	B2 / Y4 signal output	OUT	3.3	-
26	VDD-IO2	3.3V power supply for I/O circuit	VDD	3.3	-
27	B1/Y3	B1 / Y3 signal output	OUT	3.3	-
28	B0/Y2	B0 / Y2 signal output	OUT	3.3	-
29	VSS3	GND for logic	GND	0	-
30	G5/Y1	G5 / Y1 signal output	OUT	3.3	-
31	G4/Y0	G4 / Y0 signal output	OUT	3.3	-
32	G3	G3 signal output	OUT	3.3	-

Pin No.	Pin Name	Pin Function	Pin type	Standard withstand voltage [V]	Processing at unused time
33	G2	G2 signal output	OUT	3.3	-
34	VSS4	GND for logic	GND	0	-
35	G1/C0	G1 / C0 signal output	OUT	3.3	-
36	G0/C1	G0 / C1 signal output	OUT	3.3	-
37	VDD-D3	1.5 V power supply for logic circuit	VDD	1.5	-
38	R5/C2	R5 / C2 signal output	OUT	3.3	-
39	R4/C3	R4 / C3 signal output	OUT	3.3	-
40	VSS5	GND for logic	GND	0	-
41	R3/C4	R3 / C4 signal output	OUT	3.3	-
42	R2/C5	R2 / C5 signal output	OUT	3.3	-
43	VDD-IO3	3.3 V power supply for I/O circuit	VDD	3.3	-
44	R1/C6	R1 / C6 signal output	OUT	3.3	-
45	R0/C7	R0 / C7 signal output	OUT	3.3	-
46	SLAVE sel	I <sup>2</sup> C-BUS slave-address selector	IN	3.3	-
47	TEST2	Test terminal (Always connect to GND)	IN	3.3	GND
48	TEST1	Test terminal (Always connect to GND)	IN	3.3	GND
49	VDDAD1	2.5 V power supply for ADC circuit	VDD	2.5	-
50	CVBS1 in	Composite video signal input	IN	2.5	GND via 0.1 μF
51	VSSAD1	GND for ADC circuit	GND	0	-
52	CVBS2/Y/G IN	Composite video / Y / G signal input	IN	2.5	GND via 0.1 μF
53	VRT	Reference top voltage terminal for ADC	Bias	2.5	-
54	C/Cr/R IN	C / Cr /R signal input	IN	2.5	GND via 0.1 μF
55	VRM	Reference middle voltage terminal for ADC	Bias	2.5	-
56	Cb/B IN	Cb / B signal input	IN	2.5	GND via 0.1 μF
57	VRB	Reference bottom voltage terminal for ADC	Bias	2.5	-
58	VDDAD2	2.5 V power supply for ADC circuit	VDD	2.5	-
59	AD_BIAS	Bias voltage terminal for ADC	Bias	2.5	-
60	VSSAD2	GND for ADC circuit	GND	0	-
61	C-sync/HD in	Composite-sync signal / Horizontal timing signal input	IN	3.3	GND
62	VD in	Vertical timing signal input	IN	3.3	GND
63	VSSDA	GND for DAC circuit for clock	GND	0	-
64	DAOUT	Output of DAC circuit for clock	OUT	2.5	-

**5. Function**

**5.1 Overview**

- Analog input interface for CVBS (Composite video signal), Y/C separate signal, Component signal (D1/D2), analog RGB signal (D1/D2) and analog RGB signal (WQVGA / VGA / WVGA)
- Multi system 3-line comb filter (2DYCS)
- Multi system video decoder and sync processing
- Color system detection (selectable auto detection or manual setting)
- Picture processing function
- Adjustable the clock phase of ADC in analog RGB input mode
- Digital output interface for ITU-R BT.601/656 and 18bit RGB signal  
When input signal is analog RGB, output signal is digital RGB only.

**5.2 Input signal**

**5.2.1 Input signal list**

Input signal format		Frequency			Effective pixels		Total pixels		
		fH[kHz]	fV[Hz]	fs [MHz]	Horizontal	Vertical	Horizontal	Vertical	
CVBS	NTSC	15.75/15.734	60/59.94	27	720	240	858	262.5	
	PAL	15.625	50	27	720	288	864	312.5	
Y/C	NTSC	15.75/15.734	60/59.94	27	720	240	858	262.5	
	PAL	15.625	50	27	720	288	864	312.5	
YCbCr	D1	480i	15.75/15.734	60	27	720	240	858	262.5
		576i	15.625	50	27	720	288	864	312.5
	D2	480p	31.5/31.469	60	27	720	480	858	525
		576p	31.25	50	27	720	576	864	625
RGB	D1	480i	15.75/15.734	60	27	720	240	858	262.5
		576i	15.625	50	27	720	288	864	312.5
	D2	480p	31.5/31.469	60	27	720	480	858	525
		576p	31.25	50	27	720	576	864	625
RGB	WQVGA (400x234)	15.734	60	fHx508	400	234	508	262	
		15.625	50	fHx508	400	234	508	312	
	WQVGA (480x234)	15.734	60	fHx610	480	234	610	262	
		15.625	50	fHx610	480	234	610	312	
	VGA (640x480)	31.5	60	fHx800	640	480	800	525	
		31.25	50	fHx800	640	480	800	625	
	WVGA (800x480)	31.5	60	fHx1056	800	480	1056	525	
		31.25	50	fHx1056	800	480	1056	625	

**5.2.2 Input signal**

The TC90104FG is equipped with 3-ch ADC for Composite video signal, YCbCr signal and RGB signal and Y/C signal input.

The input-dynamic-range for ADC is designed in AVDD x 0.4 [V] with the normal input dynamic range being 1 Vp-p (AVDD = 2.5 V). Be sure to use 0.7 Vp-p (1 Vp-p x 0.7) with 140IRE input when using NTSC as the recommended reference input amplitude.

We recommend that you use 0.7 Vp-p with 140IRE input for the input amplitude.

CVBS, Y/C, YCbCr, RGB (D1/D2) signal are processed at MCD block, and RGB (WQVGA, VGA, WVGA) signal are processed at RGB block.

**5.2.3 Table of Input – Output signal**

Input signal		Processing			Output signal						
Input format		f H [kHz]	Sampling clock [MHz]	Internal Format	Output clock [MHz]	RGB	601 656	HD	VD	ENB	
CVBS	NTSC	15.75/15.734	27	4:2:2	13.5 / 27	-	○	○	○	-	
	PAL	15.625	27	4:2:2	13.5 / 27	-	○	○	○	-	
Y/C	NTSC	15.75/15.734	27	4:2:2	13.5 / 27	-	○	○	○	-	
	PAL	15.625	27	4:2:2	13.5 / 27	-	○	○	○	-	
YCbCr	D1	480i	15.75/15.734	27	4:2:2	13.5 / 27	-	○	○	○	-
		576i	15.625	27	4:2:2	13.5 / 27	-	○	○	○	-
	D2	480p	31.5/31.469	27	4:2:2	27	-	○	○	○	-
		576p	31.25	27	4:2:2	27	-	○	○	○	-
RGB	D1	480i	15.75/15.734	27	4:2:2	13.5 / 27	-	○	○	○	-
		576i	15.625	27	4:2:2	13.5 / 27	-	○	○	○	-
	D2	480p	31.5/31.469	27	4:2:2	27	-	○	○	○	-
		576p	31.25	27	4:2:2	27	-	○	○	○	-
RGB	WQVGA (400x234)	15.734	fHx508	4:4:4	fHx508	○	-	○	○	○	
		15.625	fHx508	4:4:4	fHx508	○	-	○	○	○	
	WQVGA (480x234)	15.734	fHx610	4:4:4	fHx610	○	-	○	○	○	
		15.625	fHx610	4:4:4	fHx610	○	-	○	○	○	
	VGA (640x480)	31.5	fHx800	4:4:4	fHx800	○	-	○	○	○	
		31.25	fHx800	4:4:4	fHx800	○	-	○	○	○	
WVGA (800x480)	31.5	fHx1056	4:4:4	fHx1056	○	-	○	○	○		
	31.25	fHx1056	4:4:4	fHx1056	○	-	○	○	○		

**5.2.4 Typical input level of analog input signal**

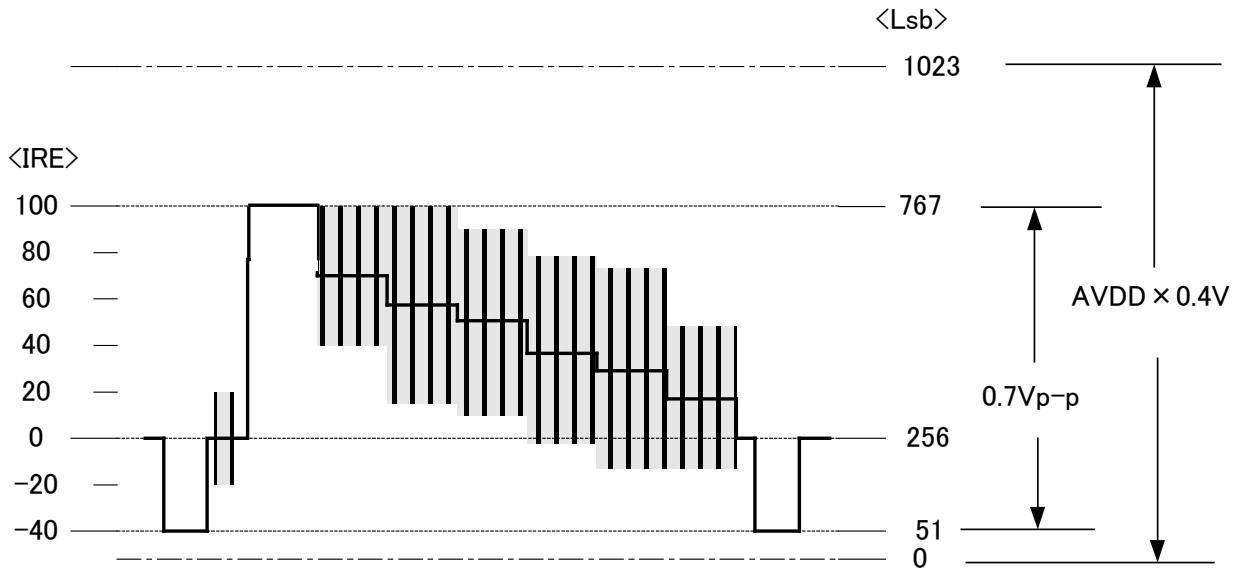


Fig.1 Reference input level to CVBS1(Composite Video) and CVBS2/Y/G(S-Video Y, Component Y) when 100% White (i.e., composite video input)

CVBS, Y, Component-Y signal need to input 0.7 Vpp when 140IRE, and also C signal (S-signal) need to input 0.2 Vpp when 40IRE. (VDD = 2.5 V, 140IRE = 0.7 Vpp at NTSC )  
 When use Component-CbCr , CbCr-level is 0.7 Vpp for 100%.  
 An above waveform is color bar signal of 75%

Input terminal	Input level = Vp-p *1	Output : LSB *2	Notes
CVBS	0.7 Vp-p (500 mVp-p)	16-235 (for 8bit)	Output at ITU-R BT.656/601 format
Y	0.7 Vp-p (500 mVp-p)	16-235 (for 8bit)	Output at ITU-R BT.656/601 format
C	0.2 Vp-p (Burst signal)	31-225 (for 8bit)	Output at ITU-R BT.656/601 format
Cb	0.7 Vp-p	31-225 (for 8bit)	Output at ITU-R BT.656/601 format
Cr	0.7 Vp-p	31-225 (for 8bit)	Output at ITU-R BT.656/601 format

\*1 About input level,  
 It has indicate the case of NTSC.  
 CVBS and Y input level will be 140IRE at the White of 100%.  
 Please adjust to 0.7 V this 100%.  
 Values in the ( ) is the level of from the pedestal to white 100%.

Input level of C(= chroma signal) has indicate the burst level at the time of NTSC.  
 Input level of CbCr has indicate the level of color-100% at the time of NTSC.

\*2 About output level,  
 It has indicate the case of NTSC.  
 CVBS and Y output level is white100% output level at the time of NTSC.  
 Values in the ( ) is the output level of from the pedestal to white 100%.

Output level of C(chroma signal) indicate the CbCr level at the time of color-100%.  
 Output level of CbCr indicate the level of color-100% at the time of NTSC.

Notes: The above output level is influenced by the picture quality adjustment.  
 It does not indicate the maximum level.

Fig.2 Reference input level to C/Cr/R (S-Video C)

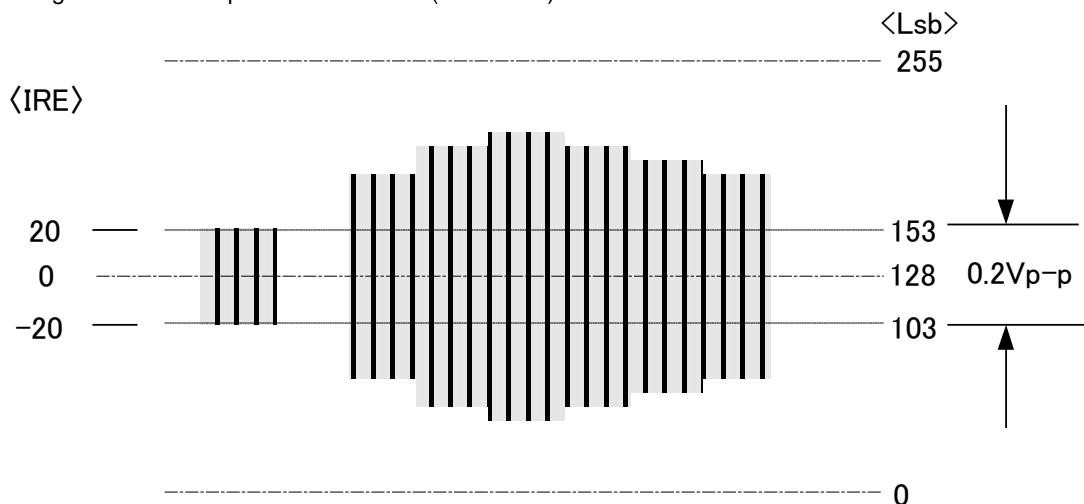


Fig.3 Typical input level to C/Cr/R (Component Cr) and Cb/B (Component Cb)

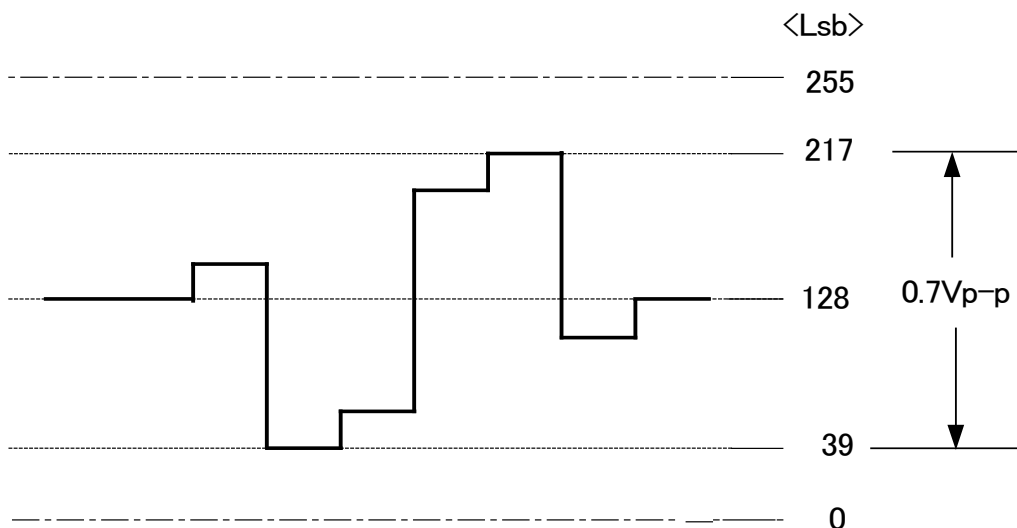


Fig.4 Typical input level to CVBS2/Y/G (RGB G), C/Cr/R (RGB R) and Cb/B (RGB B)

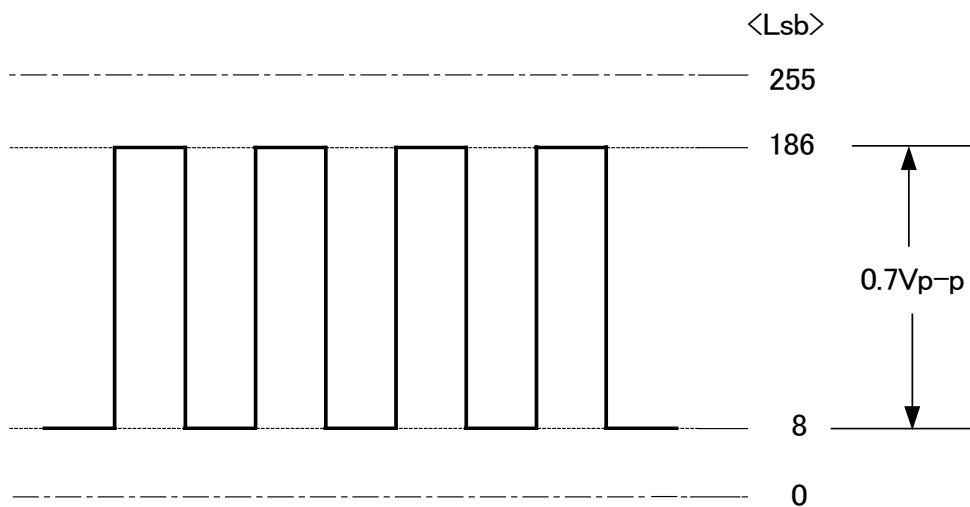
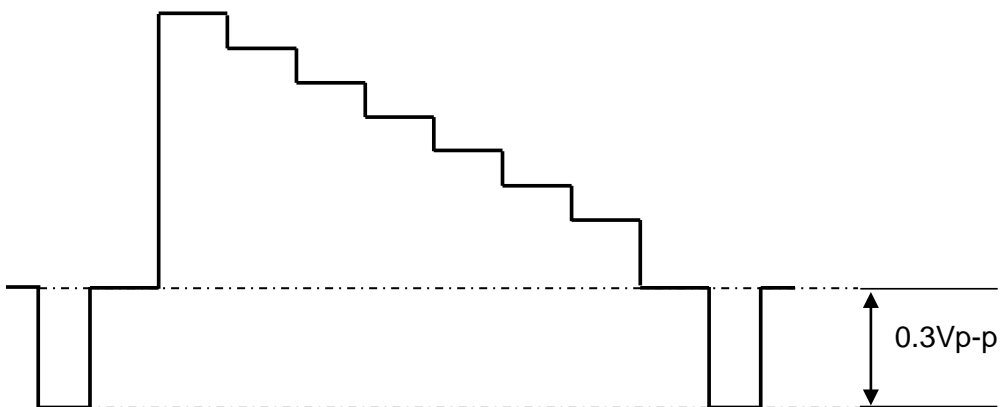




Fig.5 Typical input level to Composite sync



**5.2.5 Operation mode (I/O select) setting**

Signal process path (I/O) is selected by I<sup>2</sup>C-BUS register (Sub00H [D7] RGB\_MCD by common on all Bank).

- RGB\_MCD = 0: MCD block select (CVBS, Y/C, YCbCr, RGB(D2,D1))
- 1: RGB block select (RGB (QVGA, VGA, WVGA))

Output format decides by signal process route. ITU-R BT.601 or ITU-R BT.656 is output at route of MCD block, and RGB 18bit is output at route of RGB block.

The setting of MCD block depend on Bank0, and setting of RGB depend on Bank1 and Bank2.

Input mode	Setting of Sub address: 00H	Active Bank	Setting contents
Video	00(hex)	Bank 0	CVBS/YCbCr input to ITU-R BT.656/601 output
A-RGB	81(hex)	Bank1	RGB(dot by dot) input to RGB 18bit output
gamma of A-RGB	82(hex)	Bank2	RGB(dot by dot) input to RGB gamma setting

**5.2.6 Output format**

The output format (ITU-R BT.656/601) is selected by register FORMATO (Bank0, Sub address02h). However, when D2 format is inputted, output format is fixed on 4:2:2 format.

Y: pedestal level = 16 LSB

C: center electric potential = 128 LSB

Signal process of Y output signal below pedestal is set by register CLP (Bank 0, Sub address 29h).

CLP = 1 : signal below pedestal is fixed on 16LSB

CLP = 0 : signal below pedestal is outputted through

Output signal	Bit	Data rate	Description
Y [0-7]	8	13.5 MHz/27 MHz (ITU-R BT.601/656)	Y / YCbCr (ITU-R BT.601/656)
C [0-7]	8	6.75 MHz	Cb / Cr (CLK: 13.5 MHz)
CLK	1	13.5 MHz/27 MHz	864fH/1728fH: 625 line system 858fH/1716fH: 525 line system Polarity: negative (initial setting)
HD	1	f H	Recovered horizontal sync signal
VD	1	f V	Recovered vertical sync signal

HD / VD pulse width in "Sync-through" mode

	525i system	625i system
HD pulse width	4.74 $\mu$ s (128 cycle @ 27 MHz clock)	
VD pulse width	3.0 H	2.5 H or 3.0 H

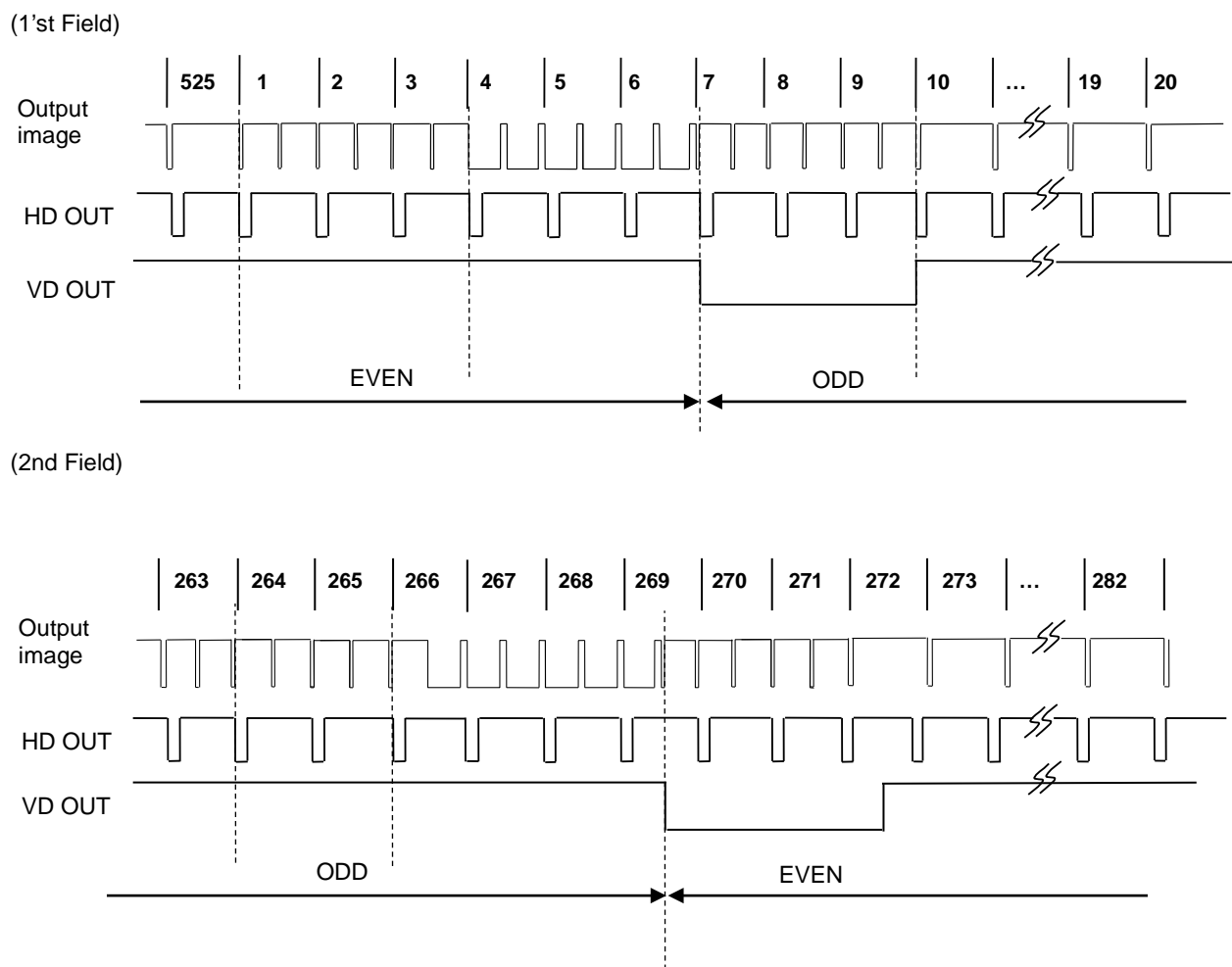
**\*Notes**

The HD pulse width used in ITU-R BT.656-compliant mode is the same as the zone defined from EAV to SAV.

If a non-standard signal is input during ITU-R BT.656-compliant mode, then the values may not necessarily be the values shown in the above chart.

The VD pulse is synchronized using the HD standard. As a result, if the H cycle jitters, then the VD width will also jitter. Also, in Through mode, the phase with the HD has time lag of 0.5H in ODD/EVEN.

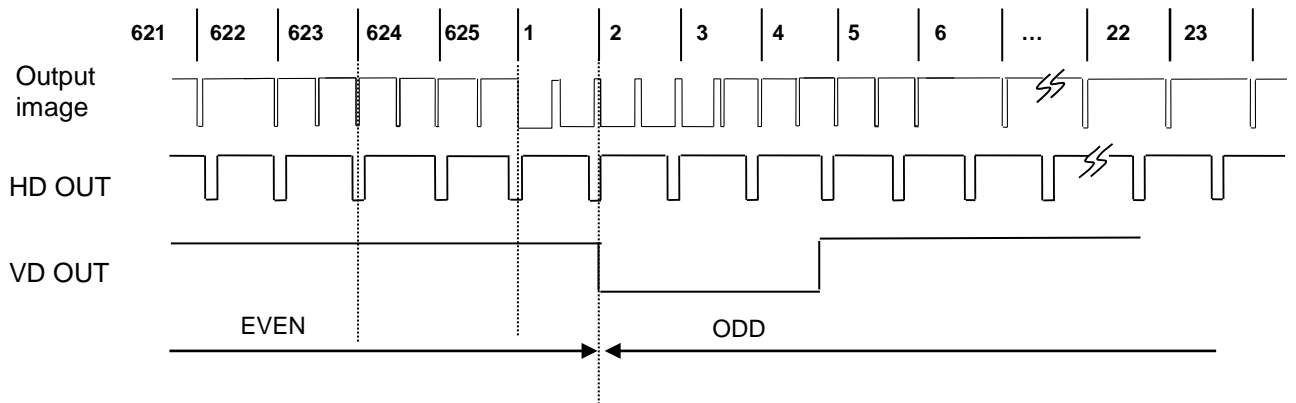
**5.2.6.1. 525i/60Hz Input mode**



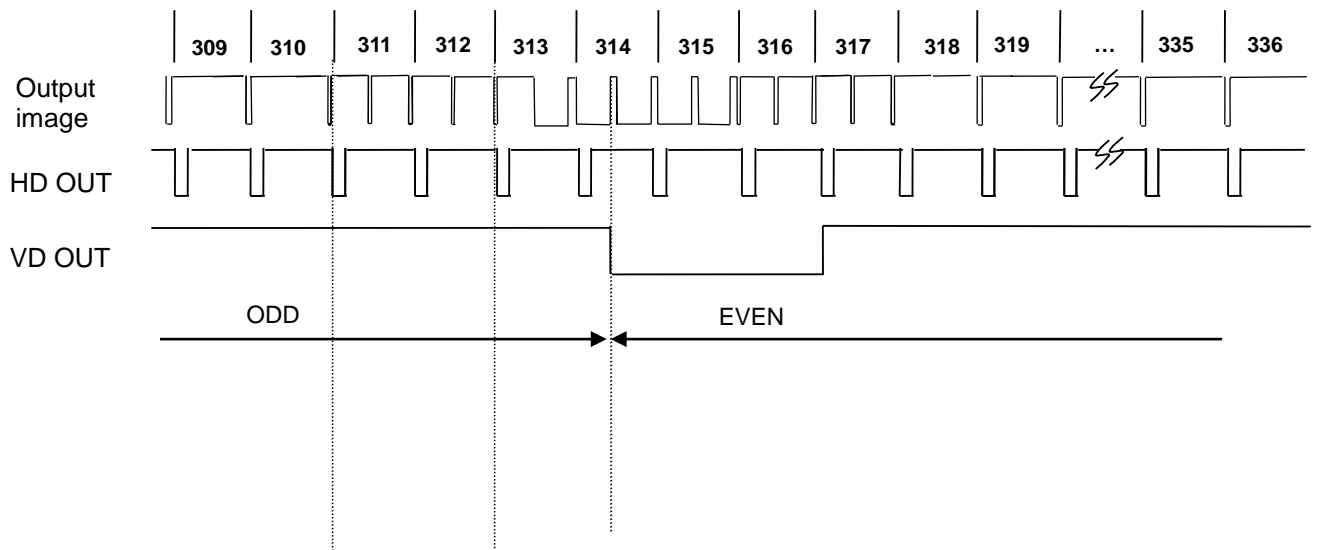
VD position is dependent on register setting.

**5.2.6.2. 625i / 50Hz Input mode**

(1st, 3rd field)



(2nd, 4th field)



VD position is dependent on register setting.

### **5.3 RGB block <Bank1>**

#### **5.3.1 Sync separation**

There are two ways to provide sync signal;

One way is to input Sync-on-Green signal to “C-sync/HD in” (61pin) and operate sync-separation in IC.

Another way is to input HD pulse to “C-sync/HD in” (61pin) and input VD pulse to “VD in” (62 pin).

“C-sync/HD” (61pin) is an analog slicer input with a sync tip clamping. The slice level is programmable through the SYNCSLEV1[1:0] (Bank1, Sub address 1Eh)

#### **5.3.2 Detection function for format discrimination**

Following data can be detected for format discrimination by analog/digital sync input signal.

no-signal detect, input analog/digital detect, polarity, detect

V frequency, V-sync width, V-sync line, 1V line,

H frequency, H-sync width

#### **5.3.3 Clock phase adjustment**

Sampling clock of ADC can be selected from four phases for each R and G, B channel respectively.

#### **5.3.4 Output format**

Output format of video signal, at RGB block path, is 18bit digital RGB signal (R: 6 bit, G: 6 bit, B: 6 bit).

Also, HD/VD signal is outputted to HD (17 pin) / VD(16 pin), Enable signal is outputted to ENB (15 pin) and clock signal is outputted to CLK (18 pin).

**6. Absolute Maximum rating**

The maximum ratings are rated values which must not be exceeded during operation, even for an instant. Exceeding the maximum rating may result in destruction, degradation or other damage to the IC and other components. When designing applications for this IC, be sure that none of the maximum rating values will ever be exceeded.

Characteristics	Symbol	Rating	Unit
Power voltage1 (1.5 V system)	VDD1	-0.3 to VSS+2.0	V
Power voltage2 (2.5 V system)	VDD2	-0.3 to VSS+3.5	V
Power voltage3 (3.3 V system)	VDD3	-0.3 to VSS+3.9	V
Input voltage (1.5 V system)	VIN1	-0.3 to VDD1+0.3	V
Input voltage (2.5 V system)	VIN2	-0.3 to VDD2+0.3	V
Input voltage (3.3 V system)	VIN3	-0.3 to VDD3+0.3	V
Input voltage (3.3 V system, 5 V withstand voltage)	VIN4 (Notes1)	-0.3 to VSS+5.5	V
Potential difference between power pins (between 1.5 V system power pins)	$\Delta$ VVG1 (Notes2)	0.3	V
Potential difference between power pins (between 2.5 V system power pins)	$\Delta$ VVG2 (Notes2)	0.3	V
Potential difference between power pins (between 3.3 V system power pins)	$\Delta$ VVG3 (Notes2)	0.3	V
Power dissipation	PD (Notes3)	2190	mW
Storage temperature	Tstg	-40 to 125	°C

Note1: The withstand voltage for pins (SDA, SCL) is 5 V.

Note2: For each of 1.5 V and 2.5 V and 3.3 V, system power supply terminal is made into the same voltage. The maximum potential difference should not exceed rating for all power supply terminals then. In addition, potential difference between all V<sub>SS</sub> terminal must be under 0.01 V in this status.

Note3: If you intended to use a temperature higher than Ta = 25°C, reduce by 21.9 mW per one degree (°C) increase.

**7. Operating condition**

The TC90104FG is not guaranteed to function correctly if it is used outside its specified power voltage range (1.5 V system power: 1.40 V to 1.60 V, 2.5 V system power: 2.3 V to 2.7 V, 3.3 V system power: 3.0 V to 3.6 V). Please use within the specified operating conditions.

If you temporarily leave and then return to the specified operating conditions, this IC's conditions will change, and so it is necessary to reset the IC's power to continue using it correctly within the specified operating conditions.

Characteristics	Corresponding terminal	Symbol	Min	Typ.	Max	Unit
Power voltage of digital block	10, 23, 37	VDD-D	1.4	1.5	1.6	V
Power voltage of I/O block	19, 26, 43	VDD-IO	3.0	3.3	3.6	V
Power voltage of XO block	6	VDDXO	2.3	2.5	2.7	V
Power voltage of PLL block	3	VDDPLL	2.3	2.5	2.7	V
Power voltage of analog block	1, 49, 58	VDDDA, VDDAD	2.3	2.5	2.7	V
Operating temperature		Topr	-40	—	85	°C

**8. Electrical characteristic**

**8.1 DC characteristic**

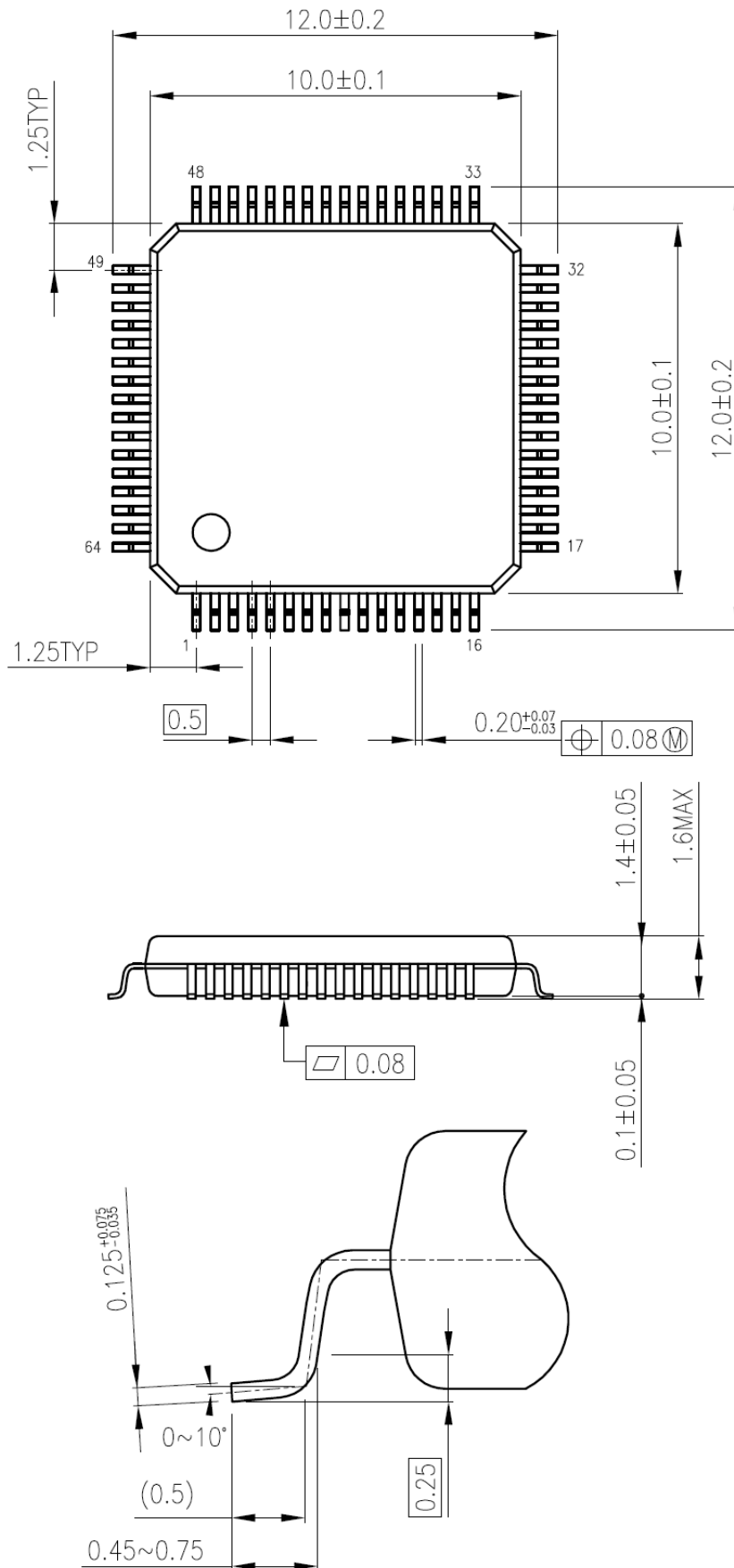
(Ta = 25°C, 1.5 V system = 1.50 ± 0.1 V, 2.5 V system = 2.50 ± 0.2 V, 3.3 V system = 3.30 ± 0.3 V)

Characteristic	Terminal NO.	Symbol	Min	Typ.	Max	Unit	Note
Power supply current	10, 23, 37	IDD1 (1.5 V system)	—	46	70	mA	Depend on load at 3.3 V system.
	1, 3, 6, 49, 58	IDD2 (2.5 V system)	—	82	125	mA	
	19, 26, 43	IDD3 (3.3 V system)	—	10	—	mA	
Input voltage	13, 46, 47, 48, 61, 62	VIH	VDD3x0.8	—	VDD3	V	I/O input terminal of 3.3 V system
	11, 12						I/O input terminal of 5.0 V system
	13, 46, 47, 48, 61, 62	VIL	VSS	—	VDD3x0.2	V	I/O input terminal of 3.3 V system
	11, 12						I/O input terminal of 5.0 V system
Input current	13, 46, 47, 48, 61, 62	IIH	-10	—	10	μA	I/O input terminal of 3.3 V system
	11, 12						I/O input terminal of 5.0 V system
	13, 46, 47, 48, 61, 62	IIL	-10	—	10	μA	I/O input terminal of 3.3 V system
	11, 12						I/O input terminal of 5.0 V system
Output voltage	15, 16, 17, 18, 20, 21, 24, 25, 27, 28, 30, 31, 32, 33, 35, 36, 38, 39, 41, 42, 44, 45	VOH	VDD3-0.6	—	VDD3	V	I/O output terminal of 3.3 V system When load current: -4 mA
		VOL	VSS	—	0.4	V	I/O output terminal of 3.3 V system When load current: +4 mA

9. Package

LQFP64-P-1010-0.50E

Unit: mm



Weight: 0.4 g (Typ.)



**10. Revision History**

Date	Revision	Contents
2015/12/01	1.00	First edition

## RESTRICTIONS ON PRODUCT USE

- Toshiba Corporation, and its subsidiaries and affiliates (collectively "TOSHIBA"), reserve the right to make changes to the information in this document, and related hardware, software and systems (collectively "Product") without notice.
- This document and any information herein may not be reproduced without prior written permission from TOSHIBA. Even with TOSHIBA's written permission, reproduction is permissible only if reproduction is without alteration/omission.
- Though TOSHIBA works continually to improve Product's quality and reliability, Product can malfunction or fail. Customers are responsible for complying with safety standards and for providing adequate designs and safeguards for their hardware, software and systems which minimize risk and avoid situations in which a malfunction or failure of Product could cause loss of human life, bodily injury or damage to property, including data loss or corruption. Before customers use the Product, create designs including the Product, or incorporate the Product into their own applications, customers must also refer to and comply with (a) the latest versions of all relevant TOSHIBA information, including without limitation, this document, the specifications, the data sheets and application notes for Product and the precautions and conditions set forth in the "TOSHIBA Semiconductor Reliability Handbook" and (b) the instructions for the application with which the Product will be used with or for. Customers are solely responsible for all aspects of their own product design or applications, including but not limited to (a) determining the appropriateness of the use of this Product in such design or applications; (b) evaluating and determining the applicability of any information contained in this document, or in charts, diagrams, programs, algorithms, sample application circuits, or any other referenced documents; and (c) validating all operating parameters for such designs and applications. **TOSHIBA ASSUMES NO LIABILITY FOR CUSTOMERS' PRODUCT DESIGN OR APPLICATIONS.**
- **PRODUCT IS NEITHER INTENDED NOR WARRANTED FOR USE IN EQUIPMENTS OR SYSTEMS THAT REQUIRE EXTRAORDINARILY HIGH LEVELS OF QUALITY AND/OR RELIABILITY, AND/OR A MALFUNCTION OR FAILURE OF WHICH MAY CAUSE LOSS OF HUMAN LIFE, BODILY INJURY, SERIOUS PROPERTY DAMAGE AND/OR SERIOUS PUBLIC IMPACT ("UNINTENDED USE").** Except for specific applications as expressly stated in this document, Unintended Use includes, without limitation, equipment used in nuclear facilities, equipment used in the aerospace industry, medical equipment, equipment used for automobiles, trains, ships and other transportation, traffic signaling equipment, equipment used to control combustions or explosions, safety devices, elevators and escalators, devices related to electric power, and equipment used in finance-related fields. **IF YOU USE PRODUCT FOR UNINTENDED USE, TOSHIBA ASSUMES NO LIABILITY FOR PRODUCT.** For details, please contact your TOSHIBA sales representative.
- Do not disassemble, analyze, reverse-engineer, alter, modify, translate or copy Product, whether in whole or in part.
- Product shall not be used for or incorporated into any products or systems whose manufacture, use, or sale is prohibited under any applicable laws or regulations.
- The information contained herein is presented only as guidance for Product use. No responsibility is assumed by TOSHIBA for any infringement of patents or any other intellectual property rights of third parties that may result from the use of Product. No license to any intellectual property right is granted by this document, whether express or implied, by estoppel or otherwise.
- **ABSENT A WRITTEN SIGNED AGREEMENT, EXCEPT AS PROVIDED IN THE RELEVANT TERMS AND CONDITIONS OF SALE FOR PRODUCT, AND TO THE MAXIMUM EXTENT ALLOWABLE BY LAW, TOSHIBA (1) ASSUMES NO LIABILITY WHATSOEVER, INCLUDING WITHOUT LIMITATION, INDIRECT, CONSEQUENTIAL, SPECIAL, OR INCIDENTAL DAMAGES OR LOSS, INCLUDING WITHOUT LIMITATION, LOSS OF PROFITS, LOSS OF OPPORTUNITIES, BUSINESS INTERRUPTION AND LOSS OF DATA, AND (2) DISCLAIMS ANY AND ALL EXPRESS OR IMPLIED WARRANTIES AND CONDITIONS RELATED TO SALE, USE OF PRODUCT, OR INFORMATION, INCLUDING WARRANTIES OR CONDITIONS OF MERCHANTABILITY, FITNESS FOR A PARTICULAR PURPOSE, ACCURACY OF INFORMATION, OR NONINFRINGEMENT.**
- Do not use or otherwise make available Product or related software or technology for any military purposes, including without limitation, for the design, development, use, stockpiling or manufacturing of nuclear, chemical, or biological weapons or missile technology products (mass destruction weapons). Product and related software and technology may be controlled under the applicable export laws and regulations including, without limitation, the Japanese Foreign Exchange and Foreign Trade Law and the U.S. Export Administration Regulations. Export and re-export of Product or related software or technology are strictly prohibited except in compliance with all applicable export laws and regulations.
- Please contact your TOSHIBA sales representative for details as to environmental matters such as the RoHS compatibility of Product. Please use Product in compliance with all applicable laws and regulations that regulate the inclusion or use of controlled substances, including without limitation, the EU RoHS Directive. **TOSHIBA ASSUMES NO LIABILITY FOR DAMAGES OR LOSSES OCCURRING AS A RESULT OF NONCOMPLIANCE WITH APPLICABLE LAWS AND REGULATIONS.**