

TB67S265

Usage considerations

Summary

The TB67S265 is an 8-bit serial controlled two-phase bipolar stepping motor driver using a PWM chopper. Fabricated with the BiCD process, rating is 50 V/2.0 A.

Contents

Summary.....	1
1. Power supply voltage	4
1.1. Power supply voltage and operating range.....	4
1.2. Power supply sequence	4
2. Output current	4
3. Control input.....	4
4. PWM control.....	5
5. ADMD control	7
6. Switching characteristics	10
7. Function explanation	10
8. Example of application circuit	12
9. Power consumption of the IC.....	17
10. Power dissipation	18
11. Board dimensions.....	19
11.1. Input.....	19
11.2. Main part.....	20
11.3. Options	21
Notes on Contents.....	22
IC Usage Considerations.....	22
Notes on handling of ICs	22
Points to remember on handling of ICs.....	23
RESTRICTIONS ON PRODUCT USE.....	24

Contents of figures

Figure 1.1	Power supply voltage and usage range	4
Figure 4.1	OSCM oscillation frequency	5
Figure 4.2	Chopping frequency (100 kHz)	6
Figure 4.3	Chopping frequency (50 kHz)	6
Figure 5.1	ADMD control.....	7
Figure 5.2	Auto Decay Mode waveform.....	7
Figure 5.3	ADMD current waveform	8
Figure 5.4	ADMD current waveform (When Charge period is more than f_{chop} 1 cycle)	8
Figure 5.5	ADMD current waveform (When the next current step is lower)	9
Figure 5.6	ADMD current waveform (When the Fast continues past 1 cycle)	9
Figure 6.1	Switching characteristics	10
Figure 8.1	Example of application circuit	12
Figure 8.2	Dead band time of thermal shutdown circuit	15
Figure 8.3	Dead band time of ISD	16
Figure 10.1	Power dissipation.....	18
Figure 11.1	Input	19
Figure 11.2	Main parts	20
Figure 11.3	Options.....	21

Contents of tables

Table 6.1	Switching characteristics.....	10
Table 8.1	Recommended capacitor values for power supply terminal.....	13
Table 8.2	Recommended resistance values for current detection	13

1. Power supply voltage

1.1. Power supply voltage and operating range

In using the TB67S265, the voltage should be applied to the terminals of VM, VREFA, and VREFB. The maximum rating of VM supply voltage is 50 V. Operating range of the power supply voltage is 10 to 47 V.

The maximum rating of VREF voltage is 5 V. Operating range of the voltage is 0 to 3.6 V.

As for the voltage of VREF, the voltage of the internal regulator of the IC (VCC) can be also used. (However, if the current is pulled up exceeding the capability of the internal regulator, the regulation of VCC may not be kept. When the voltage of VREF is applied by dividing the voltage of VCC, the total of the voltage-dividing resistance should not be less than 10 k Ω .)

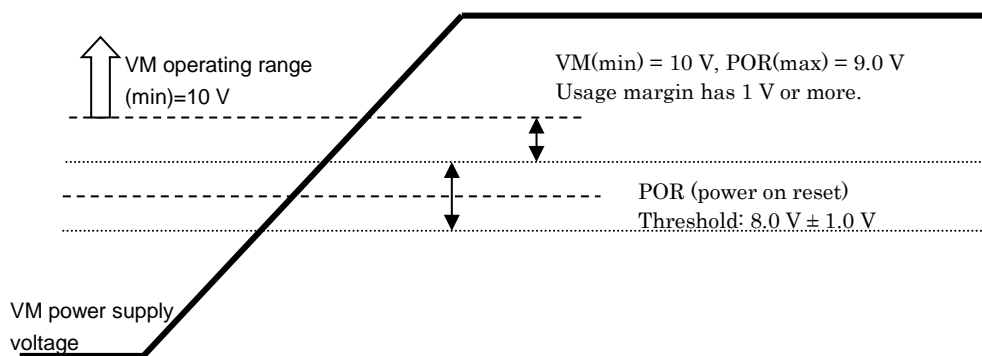


Figure 1.1 Power supply voltage and usage range

1.2. Power supply sequence

There are no special procedures of inputting a power supply and shutdown because the TB67S265 incorporates the power on reset (POR). However, under the unstable state of inputting the power supply (VM) and shutdown, it is recommended to turn off the motor operation. Please operate the motor by switching the input signal after the power supply becomes in the stable state.

2. Output current

Motor usage current should be 2 A or less. The maximum current of the actual usage is limited depending on the usage conditions (the ambient temperature, the wiring pattern of the board, the radiation path, and the exciting design). Configure the most appropriate current value after calculating the heat and evaluating the board under the operating environment.

3. Control input

When the logic input signal is inputted under the condition that the voltage of VM is not supplied, the electromotive force by inputting signal is not generated. However, configure the input signal low level before the power supply is applied by referring to the description of the "1.2 Power supply sequence."

4. PWM control

The TB67S265 can adjust the internal oscillation frequency (f_{OSCM}) and the chopping frequency (f_{chop}) with the constant number of the external parts connecting to OSCM terminal.

- The relation equations of the OSCM oscillation frequency (f_{OSCM}) and the chopping frequency

$$f_{OSCM} = 1 / [0.56 \times \{C \times (R1 + 500)\}]$$

$$f_{chop} = f_{OSCM} / 16$$

* C, R1: external constant number for OSCM (f_{OSCM} is about 1.12 MHz (typ.) at C = 270 pF and R1 = 5.1 kΩ. f_{chop} becomes considerable at about 70 kHz (typ.))

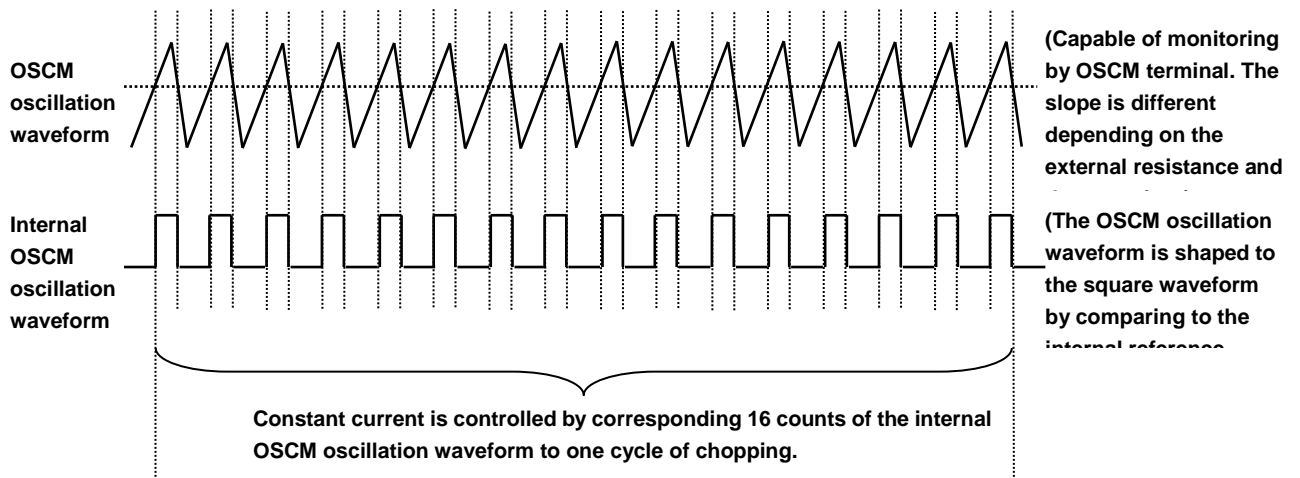


Figure 4.1 OSCM oscillation frequency

When the chopping frequency is increased, the motor can rotate faster because the following capability of the current steps increases. However, switching loss and heat increase may occur because the number of switching of output MOSFET is larger than the case of low frequency of the chopping.

(Example 1) Chopping frequency (f_{chop}) = 100 kHz

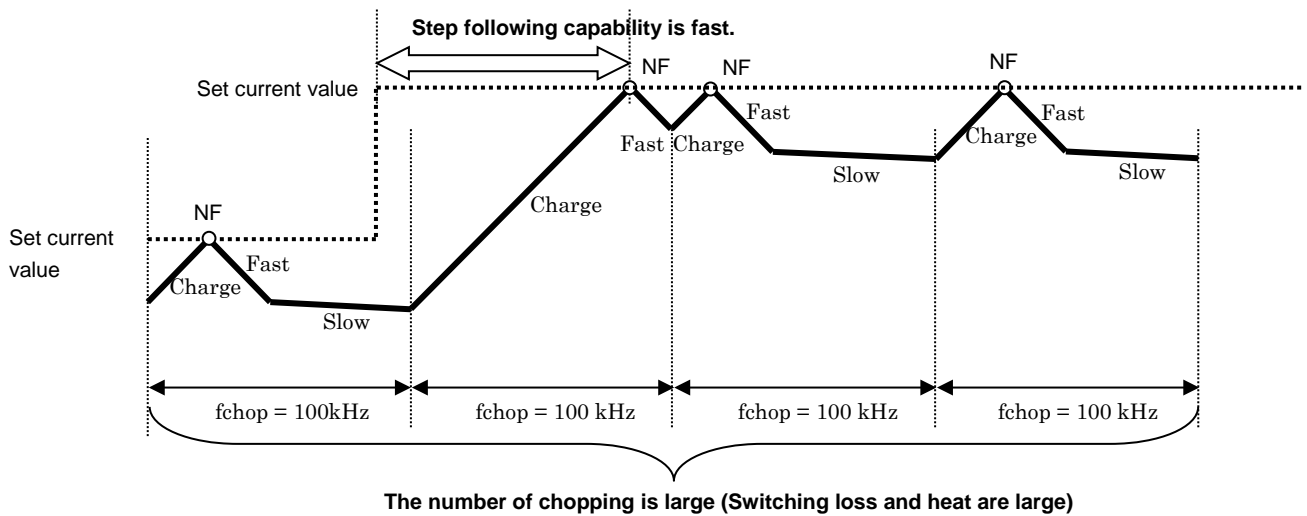


Figure 4.2 Chopping frequency (100 kHz)

(Example 2) Chopping frequency (f_{chop}) = 50 kHz

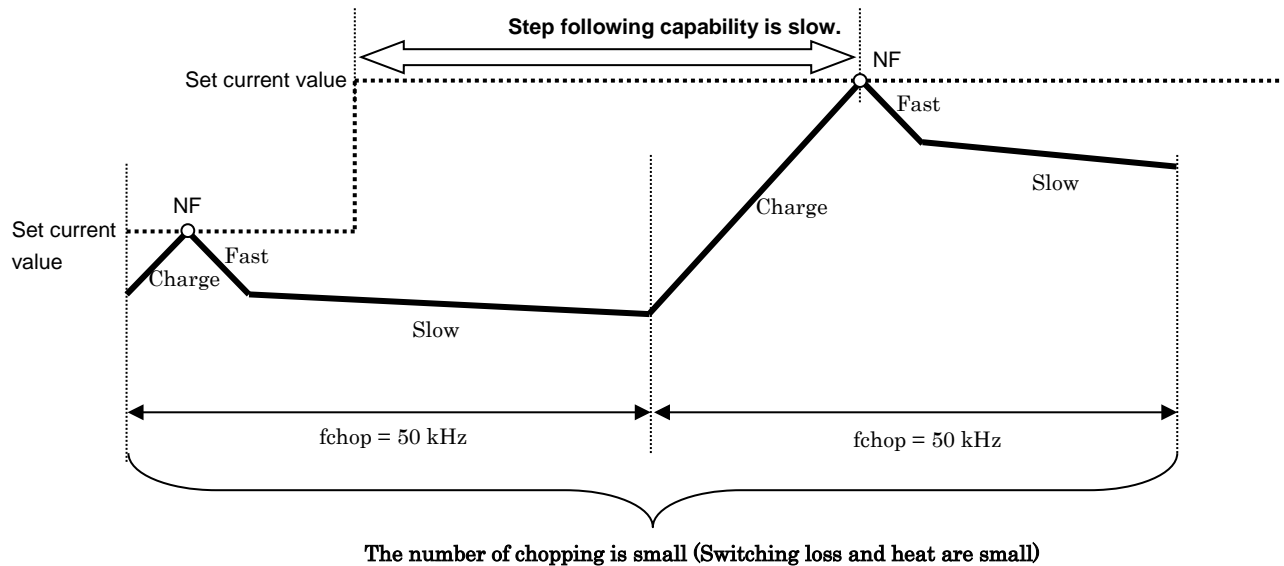


Figure 4.3 Chopping frequency (50 kHz)

Generally, it is recommended to configure the frequency in the range of 50 kHz to 100 kHz on the basis of 70 kHz.

5. ADMD control

The Advanced Dynamic Mixed Decay threshold, which determines the current ripple level during current feedback control, is a unique value.

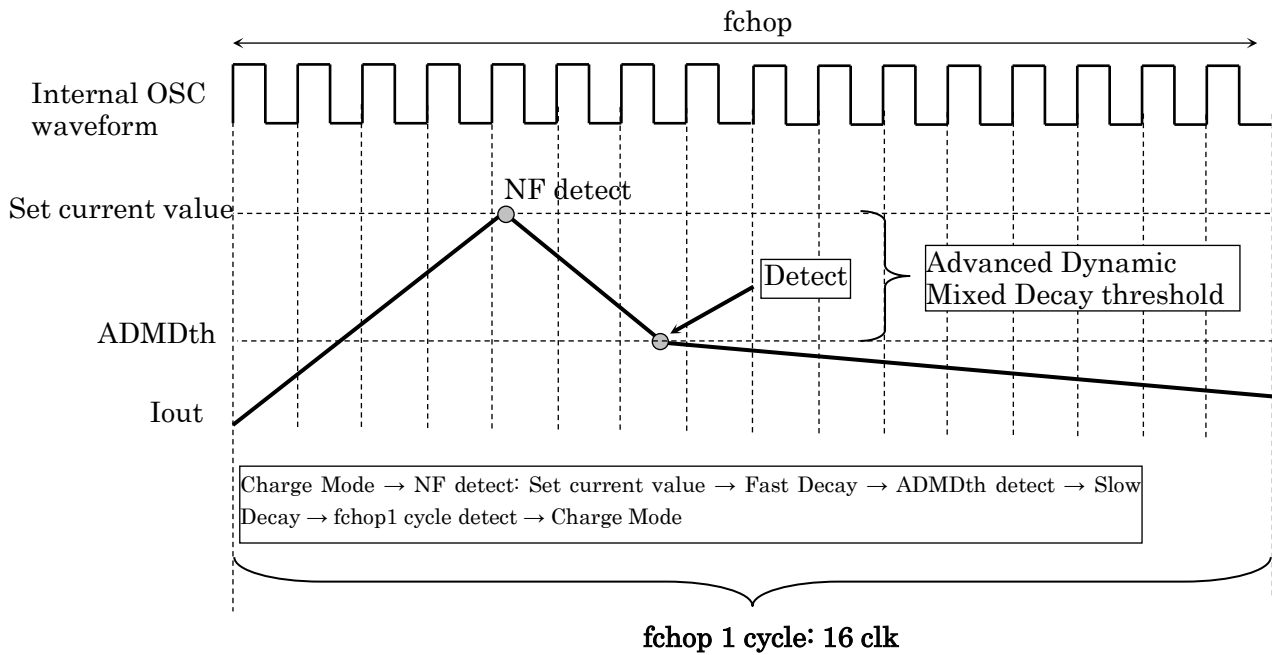
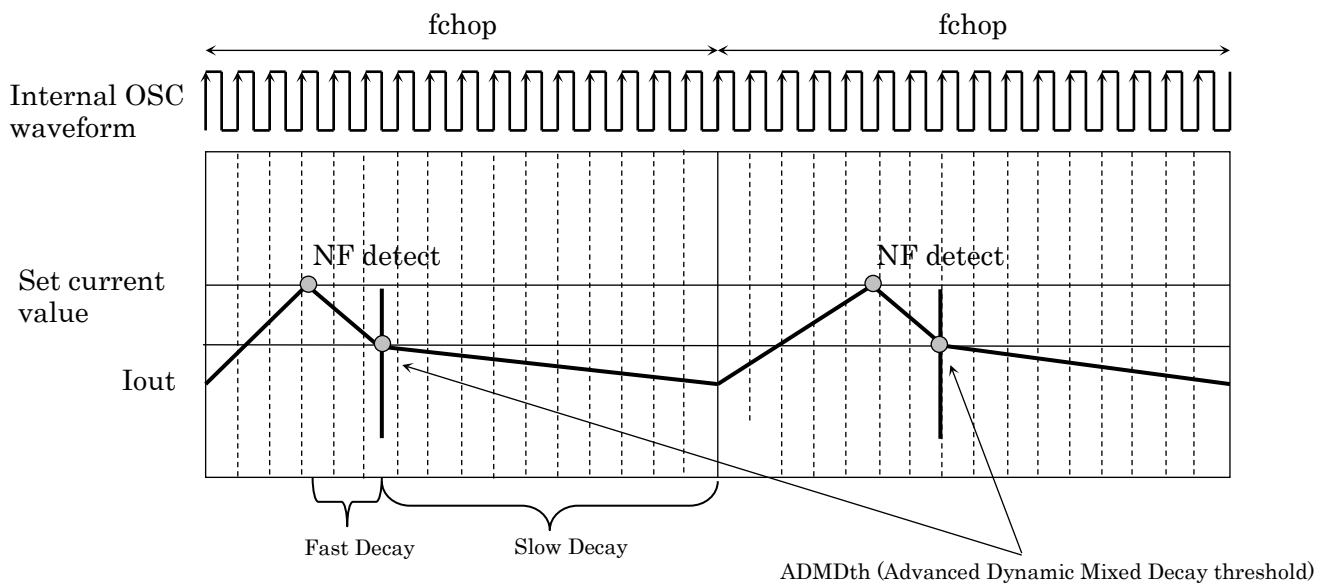


Figure 5.1 ADMD control

Auto Decay Mode waveform (current waveform)



Timing charts may be simplified for explanatory purpose.

Figure 5.2 Auto Decay Mode waveform

ADMD current waveform

- When the next current step is higher

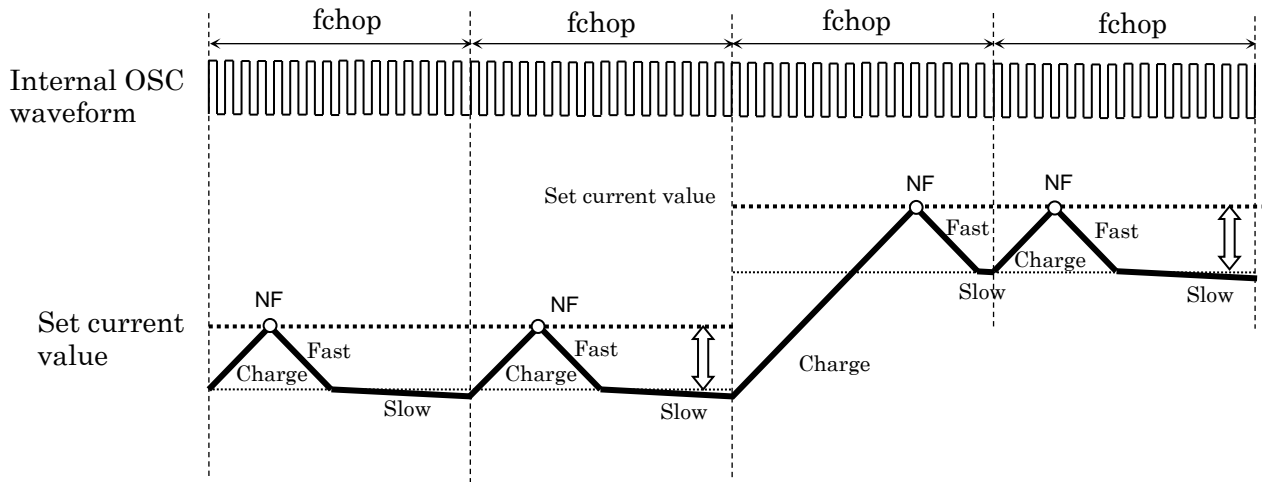


Figure 5.3 ADMD current waveform

- When Charge period is more than 1 cycle of fchop:

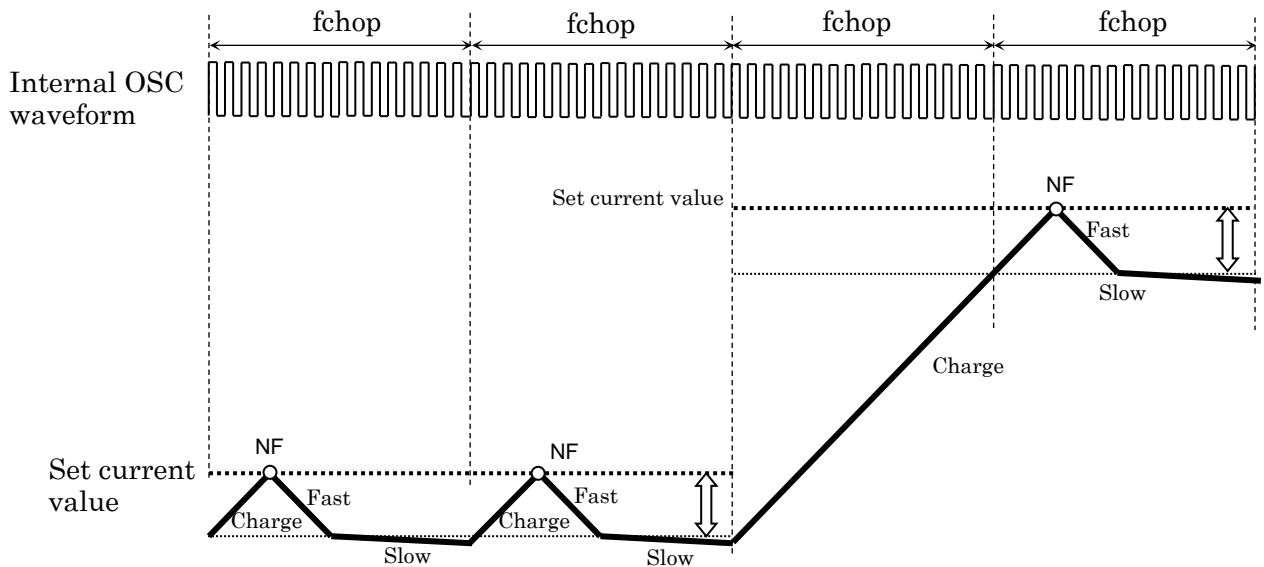


Figure 5.4 ADMD current waveform (When Charge period is more than 1 cycle of fchop)

When the Charge period is longer than 1 cycle of fchop, the Charge period will be extended until the motor current reaches the NF threshold. Once the current reaches the next current step, then the sequence will go on to decay mode.

- When the next current step is lower:

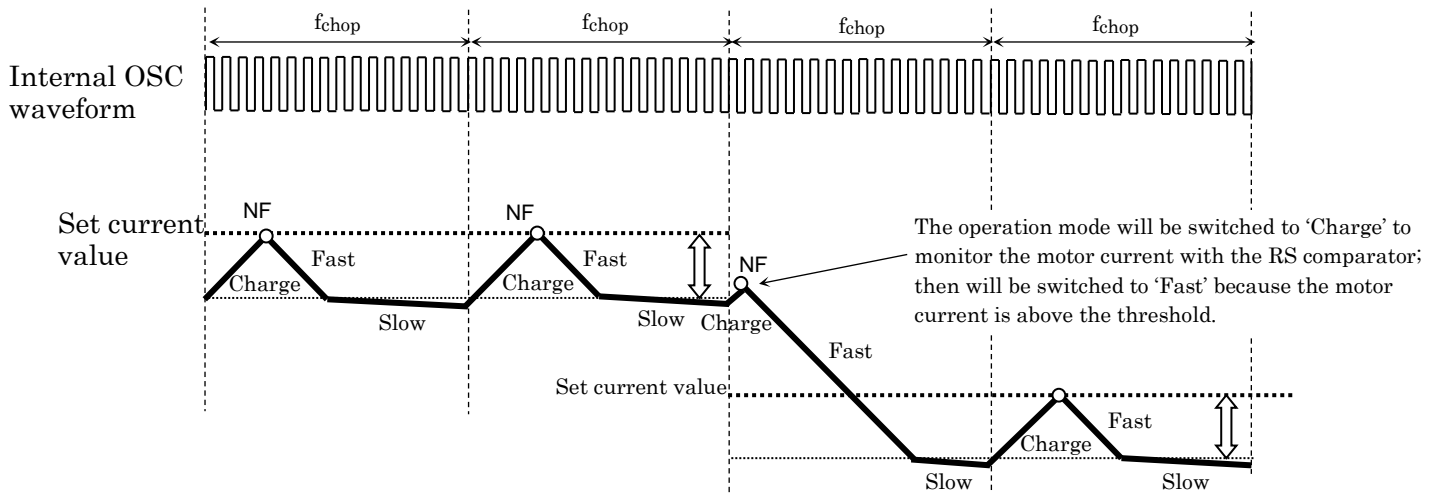


Figure 5.5 ADMD current waveform (When the next current step is lower)

- When the Fast continues past 1 cycle of f_{chop} (the motor current not reaching the ADMD threshold during 1 cycle of f_{chop})

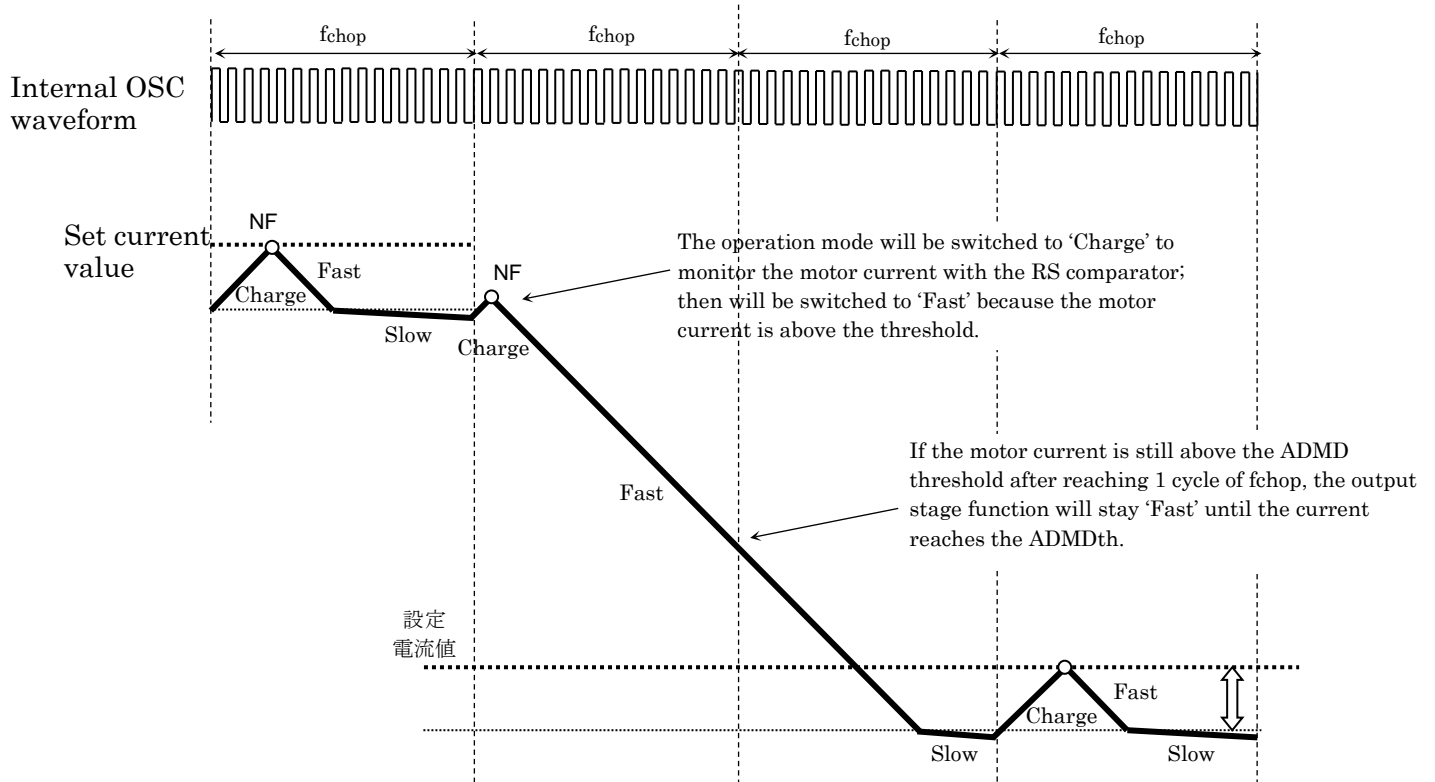


Figure 5.6 ADMD current waveform (When the Fast continues past 1 cycle)

6. Switching characteristics

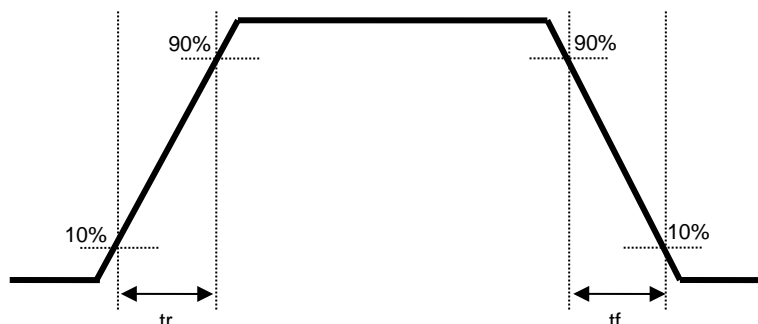


Figure 6.1 Switching characteristics

Table 6.1 Switching characteristics

$T_a = 25^\circ\text{C}$, $V_M = 24\text{ V}$, No load

Item	Typ.	Unit
t_r	80	ns
t_f	90	ns

7. Function explanation

Truth value table

Input					Function
SI	SCK	SCLR-	RCK	G-	
X	X	X	X	H	PHASE_A, PHASE_B, ENABLE_A, ENABLE_B, TRQ1, TRQ2, TRQ3, and TRQ4=Disable
X	X	X	X	L	PHASE_A, PHASE_B, ENABLE_A, ENABLE_B, TRQ1, TRQ2, TRQ3, and TRQ4=Enable
X	X	L	X	X	Clear both shift register and storage register
L	↑	H	X	X	'L' is stored to the first stage of the shift register, and other data are stored to each last stage.
H	↑	H	X	X	'H' is stored to the first stage of the shift register, and other data are stored to each last stage.
X	↓	H	X	X	The shift register holds its last state. The output (Qh) of the post-stage of the shift register is output to D_OUT pin.
X	X	H	↑	X	The data in the shift register is stored to the storage register.
X	X	H	↓	X	The storage register holds its last state.

X: Don't care

*Note: Make sure to end after setting SCK to Low at the time of data transfer in order to perform the logical output normally.

Operation explanation (stepping motor mode)

IOUT: The flow from OUT_X+ to OUT_X- is plus current, and the flow from OUT_X- to OUT_X+ is minus current.

Signal name	H	L	Notes
ENABLE_X	Output ON	Output OFF	When ENABLE_X=L, regardless of the PHASE state, the output is OFF (Hi-Z).
PHASE_X	OUT_X+:H OUT_X-:L	OUT_X+:L OUT_X-:H	When charging, current flows from OUT_X+ to OUT_X- at 'H'.
STANDBY	Motor operation available	IC all functions stop	When STANDBY= L, both OSC circuit and output are stopped. The motor cannot be driven.

<Full step resolution>

Ach			Bch		
Input		Output	Input		Output
PHASE_A	ENABLE_A	IOUT (A)	PHASE_B	ENABLE_B	IOUT (B)
H	H	+100%	H	H	+100%
L	H	-100%	H	H	+100%
L	H	-100%	L	H	-100%
H	H	+100%	L	H	-100%

<Half step resolution>

Ach			Bch		
Input		Output	Input		Output
PHASE_A	ENABLE_A	IOUT (A)	PHASE_B	ENABLE_B	IOUT (B)
H	H	+100%	H	H	+100%
x	L	0	H	H	+100%
L	H	-100%	H	H	+100%
L	H	-100%	x	L	0
L	H	-100%	L	H	-100%
x	L	0	L	H	-100%
H	H	+100%	L	H	-100%
H	H	+100%	x	L	0

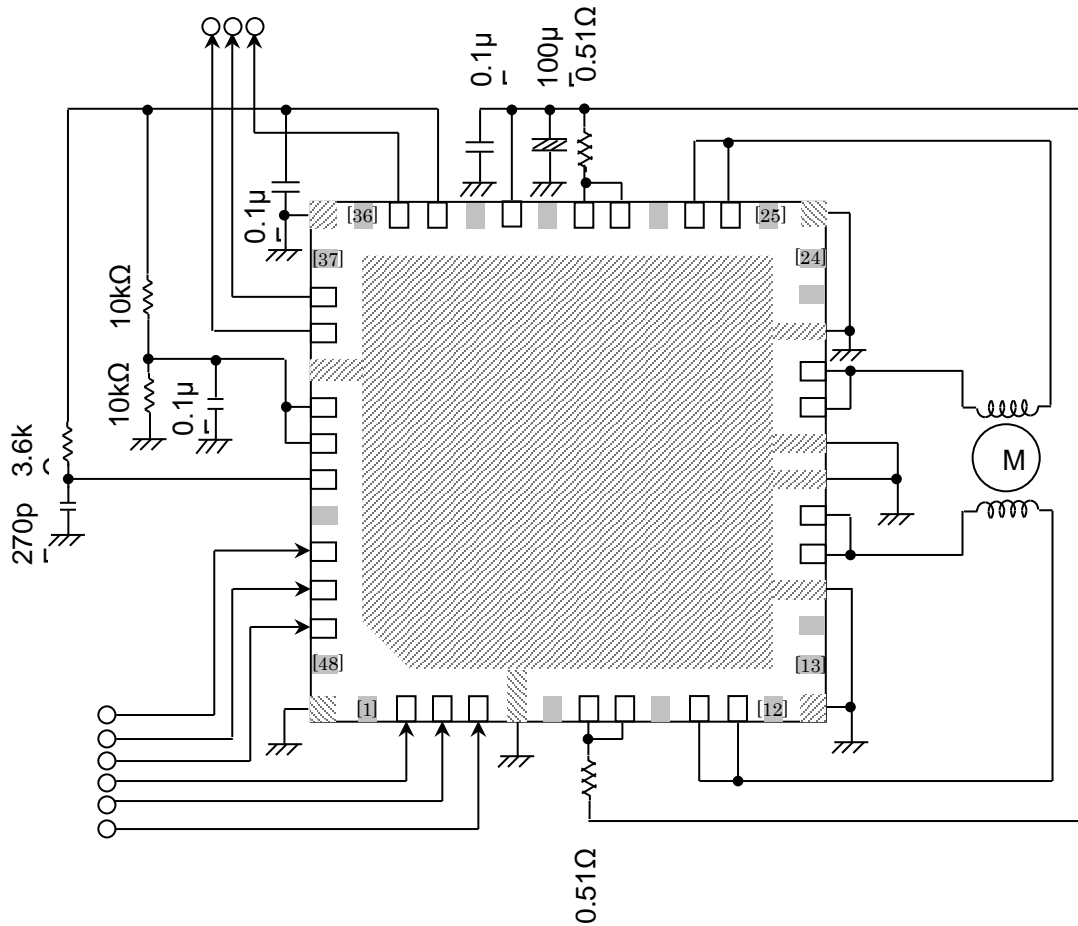
X : Don't care

TRQ function: Each setting current ratio

TRQ1	TRQ2	TRQ3	TRQ4	Current ratio
L	L	L	L	0%
L	L	L	H	5%
L	L	H	L	10%
L	L	H	H	15%
L	H	L	L	25%
L	H	L	H	29%
L	H	H	L	38%
L	H	H	H	43%
H	L	L	L	52%
H	L	L	H	60%
H	L	H	L	67%
H	L	H	H	74%
H	H	L	L	80%
H	H	L	H	86%
H	H	H	L	94%
H	H	H	H	100%

8. Example of application circuit

(The constant of each element is a reference value.)



The application circuit example is for reference only, and does not guarantee the mass production design of the device.

Figure 8.1 Example of application circuit

(1) Capacitor for power supply terminal

To stabilize the power supply voltage of the IC and reduce the noise, connect the appropriate capacitor to each terminal. It is recommended to connect the capacitor as close to the IC as possible. Especially, by connecting the ceramic capacitor near the IC, the change of the power supply at the high frequency range and the noise can be reduced.

Table 8.1 Recommended capacitor values for power supply terminal

Item	Parts	Typ.	Recommended range
VM-GND	Electric capacitor	100 μ F	47 to 100 μ F
	Ceramic capacitor	0.1 μ F	0.01 to 1 μ F
VCC-GND	Ceramic / Electrolytic capacitor	0.1 μ F	0.01 to 1 μ F
(VREF-GND)	Ceramic capacitor	0.1 μ F	0.01 to 1 μ F

* VREF-GND: Connect the capacitor in necessary depending on the usage environment.

* It is possible to use the capacitor, which is not the recommended capacitor, depending on the motor load condition and the design pattern of the board.

(2) Resistance of current detection

This IC configures the threshold of the constant current detection by connecting the resistance of current detection between VM and RS terminals. The detection resistance is recommended to connect near the IC. (The motor can be controlled with the accurate current because the influence of the wire resistance of the board can be reduced.)

Table 8.2 Recommended resistance values for current detection

Item	Parts	Typ.	Recommended range
VM-RS	Chip / Lead resistance	0.22 Ω (1.0 to 2.0 A)	0.22 to 1.0 Ω
VM-RS	Chip / Lead resistance	0.51 Ω (0 to 1.0 A)	0.22 to 1.0 Ω

The relation equation of the threshold of the constant current detection, Vref voltage, and the resistance of RS detection is as follows;

$$I_{out(max)} = V_{ref}(gain) \times \frac{V_{ref}(V)}{R_{RS}(\Omega)}$$

Vref (gain): Vref decay ratio is 1 / 5.0(typ.).

As for the resistance of current detection, the constant number which is out of recommended range can be adopted. In this case, please pay attentions to the followings when the used resistance is high and low.

- When the detection resistance is low, the difference voltage between VM and RS comparing to the internal reference voltage becomes small. So, the current may be largely different from the configured current value.
- When the detection resistance is high, the power applied to the detection resistance increases in motor operation ($P=I^2 \times R$). So, in case the same current flows as the case of low resistance, the power dissipation should be larger.

(3) Wiring pattern for power supply and GND

Since large current may flow in VM, RS, and GND pattern especially, design the appropriate wiring pattern to avoid the influence of wiring impedance. It is very important for surface mounting package to radiate the heat from the heat sink of the back side of the IC to the GND. So, design the pattern by considering the heat design.

(4) Fuse

Use an appropriate power supply fuse for the power supply line to ensure that a large current does not continuously flow in the case of over-current and/or IC failure.

The IC will fully break down when used under conditions that exceed its absolute maximum ratings, when the wiring is routed improperly or when an abnormal pulse noise occurs from the wiring or load, causing a large current to continuously flow and the breakdown can lead to smoke or ignition. To minimize the effects of the flow of a large current in the case of breakdown, appropriate settings, such as fuse capacity, fusing time and insertion circuit location, are required.

This IC incorporates over current detection circuit (ISD) that turns off the output of the IC when over current is detected in the IC. However, it does not necessarily protect ICs under all circumstances. If the Over current detection circuits operate against the over current, clear the over current status immediately. Depending on the method of use and usage conditions, such as exceeding absolute maximum ratings can cause the over current protection circuit to not operate properly or IC breakdown before operation. In addition, depending on the method of use and usage conditions, if over current continues to flow for a long time after operation, the IC may generate heat resulting in breakdown.

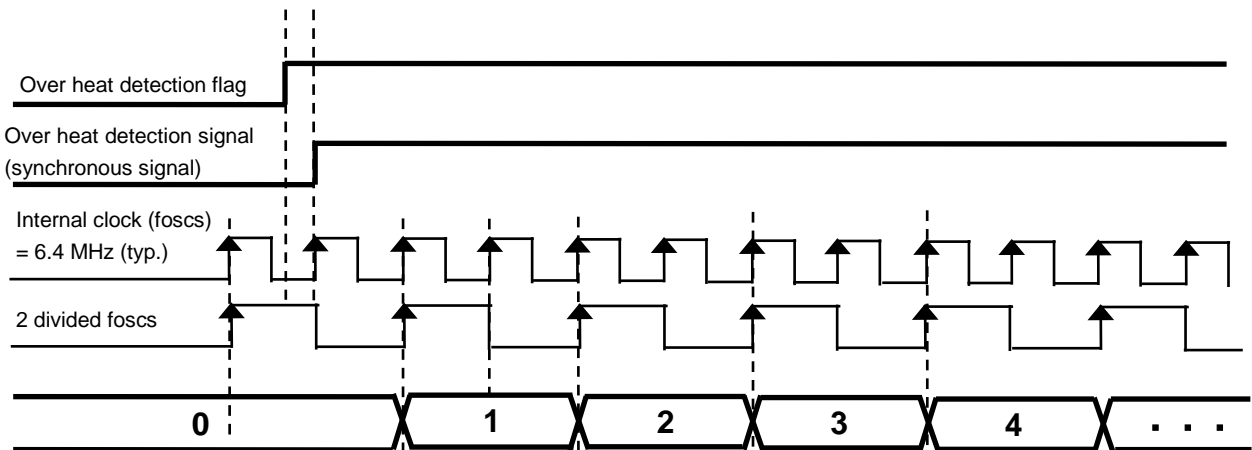
To avoid above IC destruction and malfunctions caused by noise, the over current detection circuit has a dead band time. So, it is concerned that the over current detection circuit may not operate depending on the output load conditions because of the dead band time. Therefore, in order to avoid continuing this abnormal state, use the fuse for the power supply line.

(5) Abnormally detection function

- Thermal shutdown circuit (TSD)

When the junction temperature of the IC reaches the specified value, the internal detection circuit operates to turn off the output block. The dead band time is provided in the IC to avoid the malfunction caused by switching and so on. While TSD works, the operation of the IC is in the standby mode. To resume the shutdown circuit, apply the power supply again or configure the standby mode by DMODE terminal. TSD function works when the IC is heated abnormality. Use the IC with the appropriate environment not to operate the TSD function often.

Dead band time of TSD



Timing charts may be simplified for explanatory purposes.

Figure 8.2 Dead band time of thermal shutdown circuit

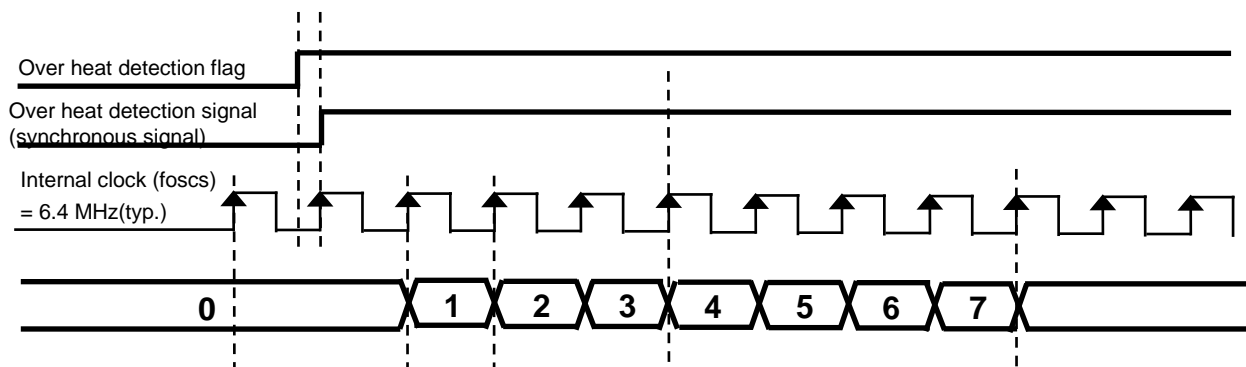
Thermal shutdown circuit has a dead band time to avoid false detection. This dead band time is configured by counting up the internal counter by the fixed frequency (6.4 MHz(typ.)) in the IC.

$$f_{osc} = 6.4 \text{ MHz}(\text{typ.}) \text{ internal clock}$$

$$1 / (f_{osc} / 2) \times 7 \sim 8 \text{ clk} = 1 / f_{osc} \times 14 \text{ to } 16 \text{ clk} \text{ (} 2.5 \text{ to } 2.8 \mu\text{s)}$$

- Over current protection (ISD)
When the current, which exceeds the specified value, flows in the motor output, internal detection circuit operates and the operation of the output block is turned off. The dead band time is provided in the IC to avoid the malfunction caused by switching and so on. While ISD works, the operation of the IC is in the standby mode. To resume the ISD protection, apply the power supply again or configure the standby mode by DMODE terminal.

Dead band time of ISD



Timing charts may be simplified for explanatory purposes.

Figure 8.3 Dead band time of ISD

ISD has a dead band time to avoid false detection caused by spike current in switching. This dead band time is configured by counting up the internal counter by the fixed frequency (6.4 MHz(typ.)) in the IC.

foscs = 6.4 MHz(typ.) internal clock
 $1 / \text{foscs} \times 7 \text{ to } 8 \text{ clk (1.09 to 1.25 } \mu\text{s)}$

9. Power consumption of the IC

Power of the IC is consumed by the transistor of the output block and that of the logic block mainly.

$$P(\text{total}) = P(\text{out}) + P(\text{bias})$$

- Power consumption of the motor output block
 Power of the output block (P(out)) is consumed by MOSFET of upper and lower H-Bridge.

$$P(\text{out}) = \text{Number of H-Bridge} \times I_{\text{out}} (\text{A}) \times V_{\text{DS}} (\text{V}) = 2 (\text{ch}) \times I_{\text{out}} (\text{A}) \times I_{\text{out}} (\text{A}) \times R_{\text{on}} (\Omega) \dots \dots \dots (1)$$

When the current waveform of the motor output corresponds to the ideal waveform (2-phase excitation / square wave), average power of output block can be provided as follows;

When $R_{\text{on}} = 0.8\Omega$, $I_{\text{out}} (\text{peak: Max}) = 1.5 \text{ A}$, $V_{\text{M}} = 24 \text{ V}$

$$P(\text{out}) = 2 (\text{ch}) \times 1.5 (\text{A}) \times 1.5 (\text{A}) \times 0.8 (\Omega) \dots \dots \dots (2)$$

$$= 3.6 (\text{W})$$

- Power consumption of logic and IM systems
 Power consumptions of logic and IM systems are calculated by separating the states (operating and stopping).

$$I (\text{IM3}) = 5.5 \text{ mA (typ.)} \quad : \text{Operating}$$

$$I (\text{IM2}) = 3.5 \text{ mA (typ.)} \quad : \text{Stopping}$$

Output system is connected to VM (24V). (Output system: Current consumed by the circuit connected to VM + Current consumed by switching output steps)

Power consumption is calculated as follows;

$$P(\text{bias}) = 24 (\text{V}) \times 0.0055 (\text{A}) \dots \dots \dots (3)$$

$$= 0.132 (\text{W})$$

- Power consumption
 Total power consumption P(total) is calculated from the values of formula (2) and (3).

$$P(\text{total}) = P(\text{out}) + P(\text{bias}) = 3.6 + 0.132 = 3.732 (\text{W})$$

Standby mode is released. The power consumption in non-operation mode of the motor (waiting mode) is calculated as follows;

$$P = 24 (\text{V}) \times 0.0035 (\text{A}) = 0.084 (\text{W})$$

In actual motor operation, the average current becomes lower than the calculated value because of transition time of the current steps and the ripple of the constant current PWM. Refer to the above equations, evaluate the heat design of the board by the actual board enough, and configure the appropriate margin.

10. Power dissipation

Relation equation of the ambient temperature (T_a), junction temperature (T_j), and the heat resistance ($R_{th(j-a)}$) between junction temperature to ambient temperature is as follows;

$$T_j = T_a + P \times R_{th(j-a)}$$

(Example) When 4-layer mounting board ($R_{th(j-a)} = 25^\circ\text{C/W}$), $T_a = 25^\circ\text{C}$, $P(\text{total}) = 3.732 \text{ W}$
 ($I_{out} = 1.5 \text{ A}$, 2-phase excitation)
 $T_j = 25 \text{ (}^\circ\text{C)} + 25 \text{ (}^\circ\text{C/W)} \times 3.732 \text{ (W)} = 118.3^\circ\text{C}$

(Reference) Relation between the power dissipation and the ambient temperature

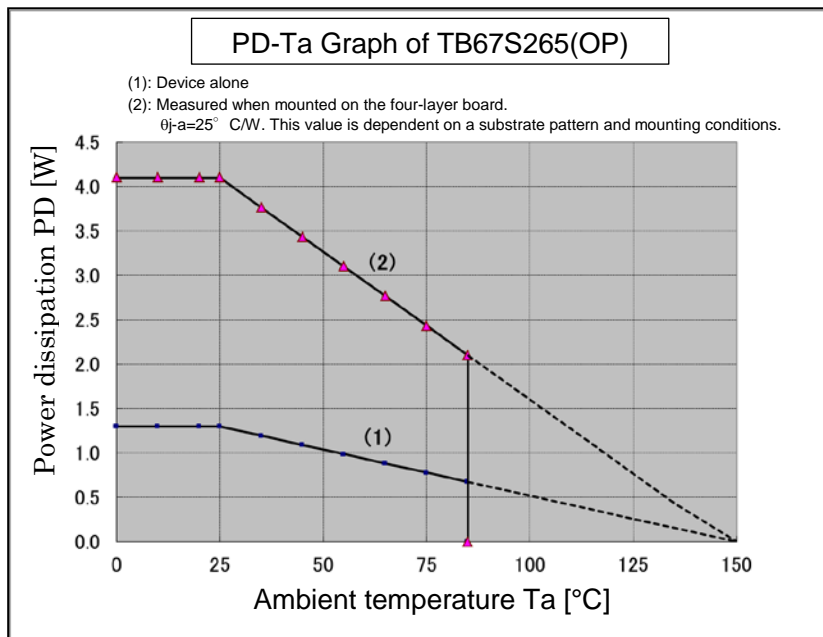


Figure 10.1 Power dissipation

* Pay attention that T_a , $R_{th(j-a)}$, and $P(\text{total})$ depend on the usage environment. When ambient temperature is high, the allowable power consumption decreases.

11. Board dimensions

11.1.Input

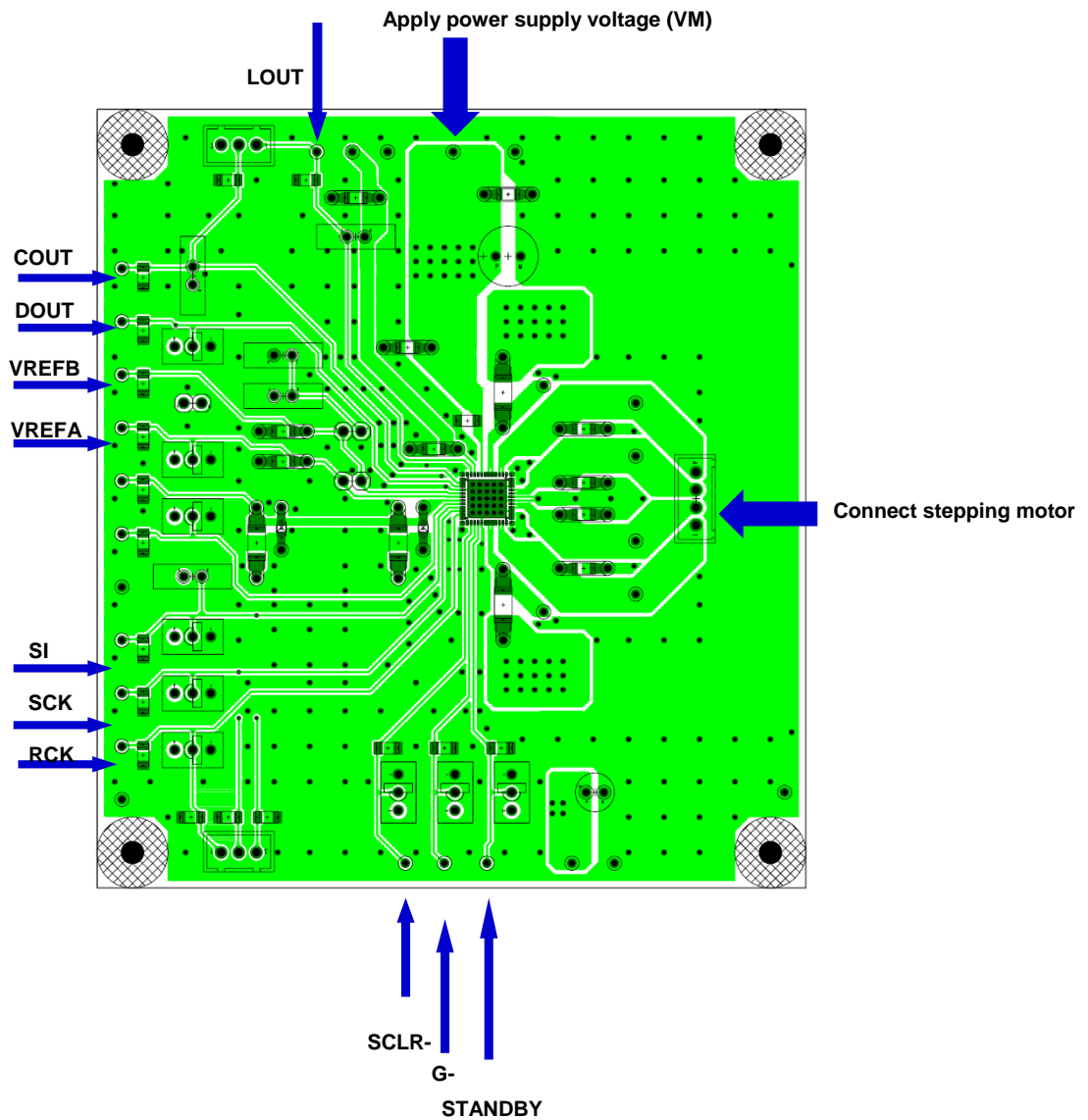


Figure 11.1 Input

Input each power supply and control signal according to above figure.

11.2.Main part

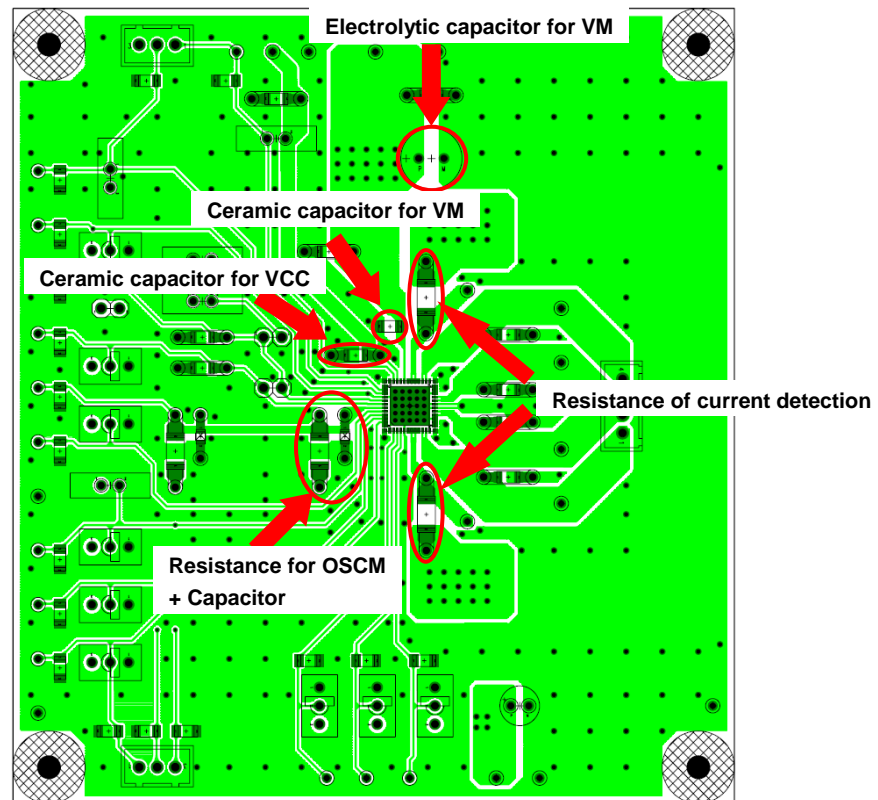


Figure 11.2 Main parts

Connect each part referring to "8. Example of application circuit."

11.3.Options

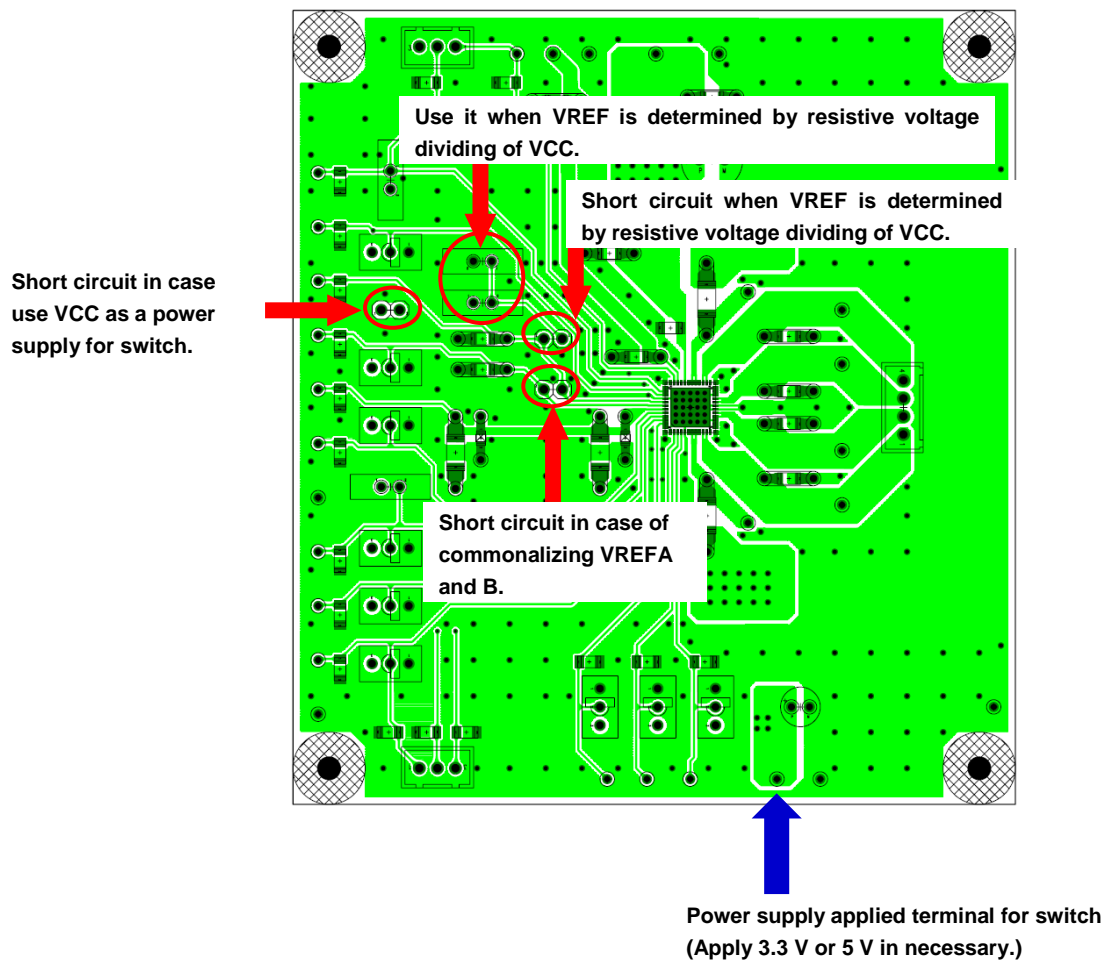


Figure 11.3 Options

Notes on Contents

1. Block diagram
Some of the functional blocks, circuits, or constants in the block diagram may be omitted or simplified for explanatory purposes.
2. Equivalent Circuits
The equivalent circuit diagrams may be simplified or some parts of them may be omitted for explanatory purposes.
3. Timing Charts
Timing charts may be simplified for explanatory purposes.
4. Application Circuit
The application circuits shown in this document are provided for reference purposes only. Thorough evaluation is required, especially at the mass production design stage. Toshiba does not grant any license to any industrial property rights by providing these examples of application circuits.
5. Test Circuit
Components in the test circuits are used only to obtain and confirm the device characteristics. These components and circuits are not guaranteed to prevent malfunction or failure from occurring in the application equipment.

IC Usage Considerations

Notes on handling of ICs

- (1) The absolute maximum ratings of a semiconductor device are a set of ratings that must not be exceeded, even for a moment. Do not exceed any of these ratings. Exceeding the rating(s) may cause device breakdown, damage or deterioration, and may result in injury by explosion or combustion.
- (2) Use an appropriate power supply fuse to ensure that a large current does not continuously flow in the case of overcurrent and/or IC failure. The IC will fully break down when used under conditions that exceed its absolute maximum ratings, when the wiring is routed improperly or when an abnormal pulse noise occurs from the wiring or load, causing a large current to continuously flow and the breakdown can lead to smoke or ignition. To minimize the effects of the flow of a large current in the case of breakdown, appropriate settings, such as fuse capacity, fusing time and insertion circuit location, are required.
- (3) If your design includes an inductive load such as a motor coil, incorporate a protection circuit into the design to prevent device malfunction or breakdown caused by the current resulting from the inrush current at power ON or the negative current resulting from the back electromotive force at power OFF. IC breakdown may cause injury, smoke or ignition. Use a stable power supply with ICs with built-in protection functions. If the power supply is unstable, the protection function may not operate, causing IC breakdown. IC breakdown may cause injury, smoke or ignition.
- (4) Do not insert devices in the wrong orientation or incorrectly. Make sure that the positive and negative terminals of power supplies are connected properly. Otherwise, the current or power consumption may exceed the absolute maximum rating, and exceeding the rating(s) may cause the device breakdown, damage or deterioration, and may result injury by explosion or combustion. In addition, do not use any device that is applied the current with inserting in the wrong orientation or incorrectly even just one time.
- (5) Carefully select external components (such as inputs and negative feedback capacitors) and load components (such as speakers), for example, power amp and regulator.

If there is a large amount of leakage current such as input or negative feedback condenser, the IC output DC voltage will increase. If this output voltage is connected to a speaker with low input withstand voltage, overcurrent or IC failure can cause smoke or ignition. (The over current can cause smoke or ignition from the IC itself.) In particular, please pay attention when using a Bridge Tied Load (BTL) connection type IC that inputs output DC voltage to a speaker directly.

Points to remember on handling of ICs

- (1) **Over current Protection Circuit**
Over current protection circuits (referred to as current limiter circuits) do not necessarily protect ICs under all circumstances. If the over current protection circuits operate against the over current, clear the over current status immediately.
Depending on the method of use and usage conditions, such as exceeding absolute maximum ratings can cause the over current protection circuit to not operate properly or IC breakdown before operation. In addition, depending on the method of use and usage conditions, if over current continues to flow for a long time after operation, the IC may generate heat resulting in breakdown.
- (2) **Thermal Shutdown Circuit**
Thermal shutdown circuits do not necessarily protect ICs under all circumstances. If the thermal shutdown circuits operate against the over temperature, clear the heat generation status immediately.
Depending on the method of use and usage conditions, such as exceeding absolute maximum ratings can cause the thermal shutdown circuit to not operate properly or IC breakdown before operation.
- (3) **Heat Radiation Design**
In using an IC with large current flow such as power amp, regulator or driver, please design the device so that heat is appropriately radiated, not to exceed the specified junction temperature (T_j) at any time and condition. These ICs generate heat even during normal use. An inadequate IC heat radiation design can lead to decrease in IC life, deterioration of IC characteristics or IC breakdown. In addition, please design the device taking into consideration the effect of IC heat radiation with peripheral components.
- (4) **Back-EMF**
When a motor rotates in the reverse direction, stops or slows down abruptly, a current flow back to the motor's power supply due to the effect of back-EMF. If the current sink capability of the power supply is small, the device's motor power supply and output pins might be exposed to conditions beyond absolute maximum ratings. To avoid this problem, take the effect of back-EMF into consideration in system design.

RESTRICTIONS ON PRODUCT USE

- Toshiba Corporation, and its subsidiaries and affiliates (collectively "TOSHIBA"), reserve the right to make changes to the information in this document, and related hardware, software and systems (collectively "Product") without notice.
- This document and any information herein may not be reproduced without prior written permission from TOSHIBA. Even with TOSHIBA's written permission, reproduction is permissible only if reproduction is without alteration/omission.
- Though TOSHIBA works continually to improve Product's quality and reliability, Product can malfunction or fail. Customers are responsible for complying with safety standards and for providing adequate designs and safeguards for their hardware, software and systems which minimize risk and avoid situations in which a malfunction or failure of Product could cause loss of human life, bodily injury or damage to property, including data loss or corruption. Before customers use the Product, create designs including the Product, or incorporate the Product into their own applications, customers must also refer to and comply with (a) the latest versions of all relevant TOSHIBA information, including without limitation, this document, the specifications, the data sheets and application notes for Product and the precautions and conditions set forth in the "TOSHIBA Semiconductor Reliability Handbook" and (b) the instructions for the application with which the Product will be used with or for. Customers are solely responsible for all aspects of their own product design or applications, including but not limited to (a) determining the appropriateness of the use of this Product in such design or applications; (b) evaluating and determining the applicability of any information contained in this document, or in charts, diagrams, programs, algorithms, sample application circuits, or any other referenced documents; and (c) validating all operating parameters for such designs and applications. **TOSHIBA ASSUMES NO LIABILITY FOR CUSTOMERS' PRODUCT DESIGN OR APPLICATIONS.**
- **PRODUCT IS NEITHER INTENDED NOR WARRANTED FOR USE IN EQUIPMENTS OR SYSTEMS THAT REQUIRE EXTRAORDINARILY HIGH LEVELS OF QUALITY AND/OR RELIABILITY, AND/OR A MALFUNCTION OR FAILURE OF WHICH MAY CAUSE LOSS OF HUMAN LIFE, BODILY INJURY, SERIOUS PROPERTY DAMAGE AND/OR SERIOUS PUBLIC IMPACT ("UNINTENDED USE").** Except for specific applications as expressly stated in this document, Unintended Use includes, without limitation, equipment used in nuclear facilities, equipment used in the aerospace industry, medical equipment, equipment used for automobiles, trains, ships and other transportation, traffic signaling equipment, equipment used to control combustions or explosions, safety devices, elevators and escalators, devices related to electric power, and equipment used in finance-related fields. **IF YOU USE PRODUCT FOR UNINTENDED USE, TOSHIBA ASSUMES NO LIABILITY FOR PRODUCT.** For details, please contact your TOSHIBA sales representative.
- Do not disassemble, analyze, reverse-engineer, alter, modify, translate or copy Product, whether in whole or in part.
- Product shall not be used for or incorporated into any products or systems whose manufacture, use, or sale is prohibited under any applicable laws or regulations.
- The information contained herein is presented only as guidance for Product use. No responsibility is assumed by TOSHIBA for any infringement of patents or any other intellectual property rights of third parties that may result from the use of Product. No license to any intellectual property right is granted by this document, whether express or implied, by estoppel or otherwise.
- **ABSENT A WRITTEN SIGNED AGREEMENT, EXCEPT AS PROVIDED IN THE RELEVANT TERMS AND CONDITIONS OF SALE FOR PRODUCT, AND TO THE MAXIMUM EXTENT ALLOWABLE BY LAW, TOSHIBA (1) ASSUMES NO LIABILITY WHATSOEVER, INCLUDING WITHOUT LIMITATION, INDIRECT, CONSEQUENTIAL, SPECIAL, OR INCIDENTAL DAMAGES OR LOSS, INCLUDING WITHOUT LIMITATION, LOSS OF PROFITS, LOSS OF OPPORTUNITIES, BUSINESS INTERRUPTION AND LOSS OF DATA, AND (2) DISCLAIMS ANY AND ALL EXPRESS OR IMPLIED WARRANTIES AND CONDITIONS RELATED TO SALE, USE OF PRODUCT, OR INFORMATION, INCLUDING WARRANTIES OR CONDITIONS OF MERCHANTABILITY, FITNESS FOR A PARTICULAR PURPOSE, ACCURACY OF INFORMATION, OR NONINFRINGEMENT.**
- Do not use or otherwise make available Product or related software or technology for any military purposes, including without limitation, for the design, development, use, stockpiling or manufacturing of nuclear, chemical, or biological weapons or missile technology products (mass destruction weapons). Product and related software and technology may be controlled under the applicable export laws and regulations including, without limitation, the Japanese Foreign Exchange and Foreign Trade Law and the U.S. Export Administration Regulations. Export and re-export of Product or related software or technology are strictly prohibited except in compliance with all applicable export laws and regulations.
- Please contact your TOSHIBA sales representative for details as to environmental matters such as the RoHS compatibility of Product. Please use Product in compliance with all applicable laws and regulations that regulate the inclusion or use of controlled substances, including without limitation, the EU RoHS Directive. **TOSHIBA ASSUMES NO LIABILITY FOR DAMAGES OR LOSSES OCCURRING AS A RESULT OF NONCOMPLIANCE WITH APPLICABLE LAWS AND REGULATIONS.**