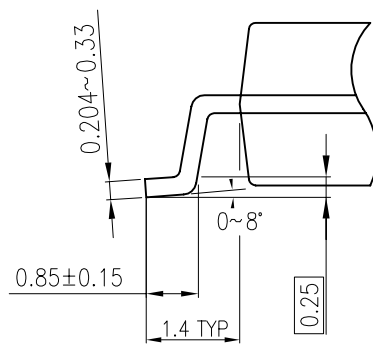
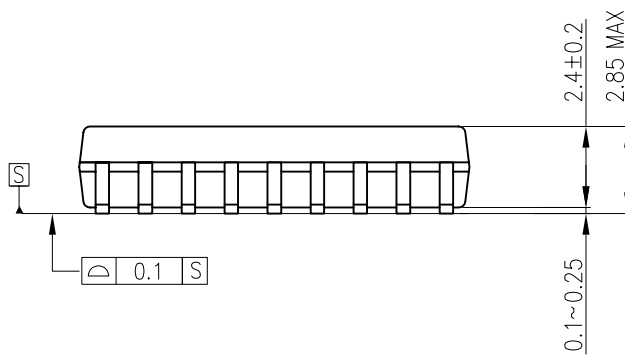
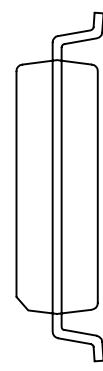
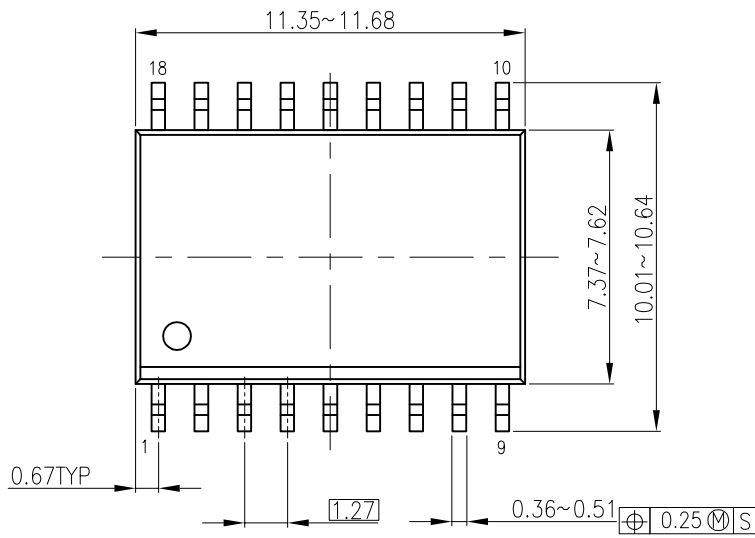


Package dimension

P-SOP18-0812-1.27-001

"Unit:mm"



Note) The drawing is package outline.

If you have some question about the detail dimensions, please contact us.