

MOSFET Avalanche Ruggedness

Description

When a voltage exceeds breakdown voltage to a MOSFET, the MOSFET enters the avalanche mode and may have a problem.

This document describes the mechanism of avalanche phenomenon, the definition of its ruggedness and the countermeasures against it.

Table of Contents

Description.....	1
Table of Contents.....	2
1. Breakdown phenomena.....	3
1.1. Avalanche breakdown.....	3
1.2. Zener breakdown.....	3
1.3. Avalanche breakdown versus Zener breakdown.....	3
2. Avalanche breakdown in a MOSFET.....	5
2.1. Mechanism of MOSFET avalanche breakdown.....	5
2.2. Avalanche ruggedness.....	6
2.2.1. Avalanche energy calculation.....	6
3. Protection against avalanche breakdown.....	9
RESTRICTIONS ON PRODUCT USE.....	10

1. Breakdown phenomena

Figure 1.1 shows a pn junction of a semiconductor device. Very little current flows through the pn junction when it is reverse-biased. As the reverse-bias voltage is increased, a very large current begins to flow above a certain voltage limit. This phenomenon is called **reverse bias breakdown**. The voltage at which the breakdown of a pn junction occurs is called **reverse breakdown voltage**.

There are two types of breakdown: **avalanche breakdown** and **Zener breakdown**.

1.1. Avalanche breakdown

As the reverse-bias voltage increases, the strength of the pn junction electric field increases. When the electric field is strong enough, mobile electrons moving through the depletion layer are accelerated and gain high kinetic energy. When these mobile electrons collide with atoms comprising a crystal lattice, their kinetic energy excites their valence electrons, creating more electron-hole pairs. The knocked-out free electrons are also accelerated to high enough speeds to knock other bound electrons out of atoms, creating more free electrons. Figure 1.2 illustrates electron avalanche breakdown.

1.2. Zener breakdown

Under a high electric field due to a reverse-bias voltage, the distance between the valence and conduction band edges in the p and n regions of the depletion layer decreases. Sufficiently strong electric fields enable quantum tunneling of electrons from the valence band in the p region to the conduction band in the n region. The sudden increase of a reverse current due to the tunneling effect is called Zener breakdown. Figure 1.3 illustrates Zener breakdown.

1.3. Avalanche breakdown versus Zener breakdown

Avalanche breakdown is distinct from Zener breakdown. In semiconductor devices, the pn junction exhibits either avalanche or Zener breakdown, whichever occurs at a lower reverse-bias voltage. These breakdown phenomena occur at different voltages, depending on the semiconductor dopant concentration and temperature.

Zener breakdown tends to occur in heavily doped junctions that produce a narrow depletion region. In contrast, Zener breakdown is less likely to occur in lightly doped junctions. Instead, avalanche breakdown tends to occur in lightly doped junctions that produce a wider depletion region.

An increase in temperature reduces the width of a forbidden band E_g or band gap between the valence and conduction bands, making tunneling of electrons more likely to occur. The random motion of free electrons increases with temperature. However, at high temperature, the flow of free electrons is restricted by the collision with atoms. Therefore, avalanche breakdown is less likely to occur at higher temperatures.

Valence electron: An electron of an atom located in the outermost shell

Electron-hole pair: In a silicon semiconductor crystal, valence electrons are shared between two atoms by a covalent bond. When an energy higher than the covalent bond is applied, valence electrons break free from the atoms and become free electrons. The lack of an electron in an atom is called an electron hole or simply a hole. There are one-to-one relationships between free electrons and holes called electron-hole pairs.

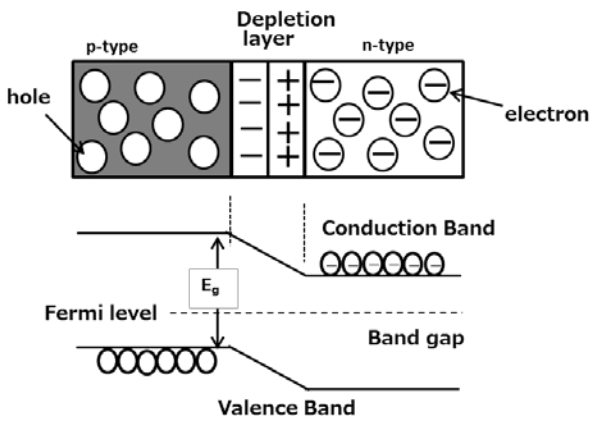


Figure 1.1 Semiconductor pn junction

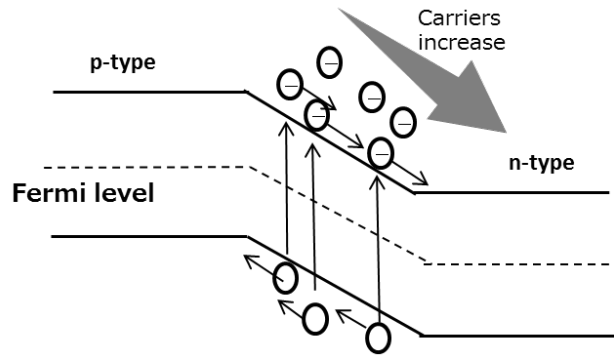


Figure 1.2 Electron avalanche breakdown

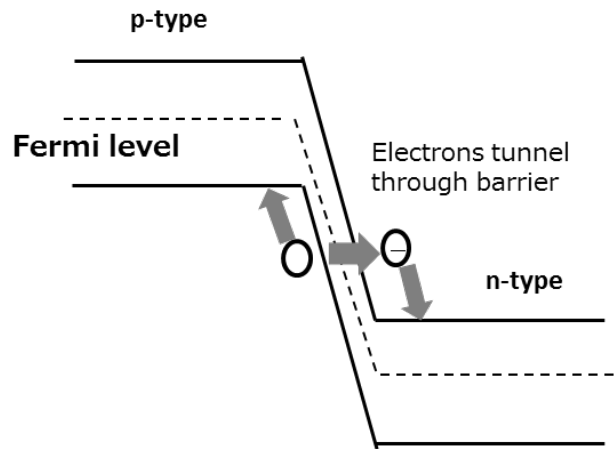


Figure 1.3 Zener breakdown

2. Avalanche breakdown in a MOSFET

Avalanche breakdown occurs when a flyback voltage generated during the turn-off of an inductive load or a spike voltage caused by the parasitic inductance of the drain load exceeds the breakdown voltage BV_{DSS} of a MOSFET.

When avalanche breakdown occurs, the pn junction of the MOSFET is reverse-biased, a strong electric field is produced in the depletion layer, and free electrons gain high kinetic energy as they are accelerated in the strong electric field. As described above, when free electrons collide with atoms comprising a crystal lattice, they knock other bound electrons out of atoms and create electron-hole pairs. This knocking-out process continues, increasing the number of free electrons and leading to avalanche breakdown.

2.1. Mechanism of MOSFET avalanche breakdown

Figure 2.1 shows the cross section of a MOSFET, and Figure 2.2 shows the equivalent circuit for the avalanche behavior of a MOSFET.

When a voltage higher than the breakdown voltage is applied across the drain and the source in Figure 2.2, the diode D (which is the equivalent of the pn junction) enters avalanche breakdown and passes an avalanche current.

(a) Avalanche current breakdown

An avalanche current i flows through the resistor R in the base region of the parasitic npn bipolar transistor. As a result, a voltage $i \times R$ appears across the base and the emitter of the transistor. If this voltage is high enough to turn on the parasitic npn transistor, it passes a current. At this time, if the drain-source voltage is high, the parasitic npn transistor might enter secondary breakdown, causing permanent damage to the MOSFET.

(b) Avalanche energy breakdown

If avalanche behavior causes a MOSFET to enter the breakdown voltage BV_{DSS} region, a current continues flowing from the drain to the source of the MOSFET until the energy stored in the inductive load at the drain is consumed. Because of this current and voltage BV_{DSS} , a power loss occurs. The resulting energy causes the device temperature to increase, and destroys the device if it exceeds the rated channel temperature.

(c) Degradation of avalanche ruggedness due to dv/dt

A MOSFET has a capacitance C between the drain and the source as shown in Figure 2.1. If a voltage rises sharply during the turn-off of the MOSFET, a current equal to $i=C \cdot dv/dt$ flows to the resistor between the base and the emitter of the parasitic bipolar transistor. If this current is excessively high, the parasitic bipolar transistor turns on and degrades the MOSFET breakdown ruggedness.

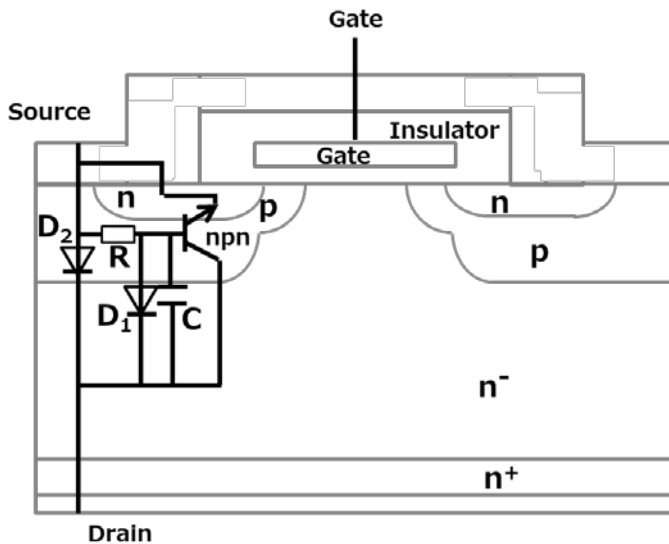


Figure 2.1 Cross section of a MOSFET

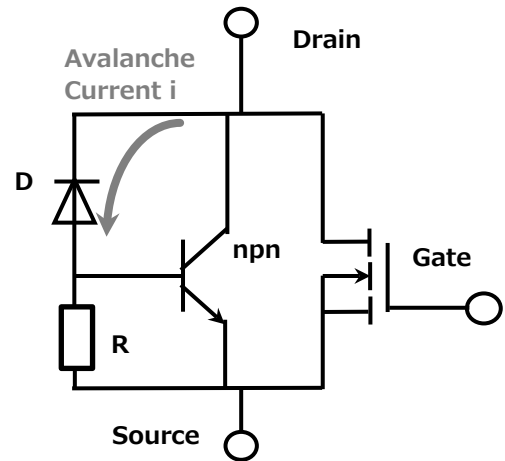


Figure 2.2 Equivalent circuit model for avalanche behavior

2.2. Avalanche ruggedness

Power MOSFETs are commonly used as high-speed switching devices. A power MOSFET experiences a high-voltage spike between the drain and the source during turn-off due to the circuit self-inductance and stray inductances.

Let the sum of the circuit self-inductance and stray inductances be L. Then, the surge voltage is expressed as:

$$v=L \cdot di/dt$$

If the drain-source voltage of the MOSFET exceeds its breakdown voltage BV_{DSS} due to the surge voltage, an avalanche current flows in the MOSFET. An avalanche current exceeding the current or energy limit might cause permanent damage to the MOSFET.

Conventionally, a surge-absorbing device was used to protect electronic devices. Nowadays, a surge absorber circuit is dispensed with in order to reduce the number of parts and thereby the size of a system. To address this requirement, a power MOSFET needs to damp avalanche energy even in the event of a voltage surge exceeding its voltage ratings. In response, Toshiba now provides a product series that can safely operate at up to the self-breakdown voltage as long as avalanche ruggedness conditions are met.

However, avalanche events place an excessive stress on the MOSFET. Therefore, even if the avalanche capability is guaranteed, for the sake of system reliability it is recommended to ensure that MOSFETs will not go into avalanche mode. Note that many MOSFETs do not provide any guarantee for repetitive avalanche ruggedness. There is a case for recommending that the product be used without entering avalanche mode, even though the avalanche energy is specified with the maximum rating of the MOSFET.

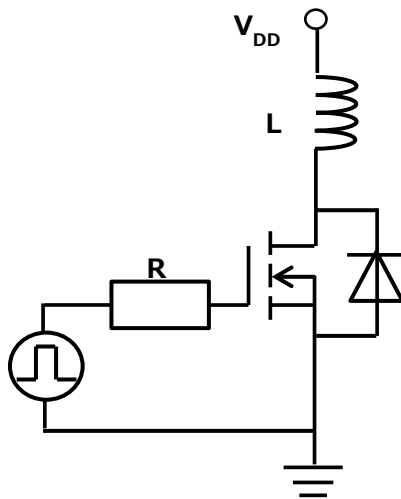
2.2.1. Avalanche energy calculation

Figure 2.3 shows a test circuit for avalanche breakdown, and Figure 2.4 shows the waveform of an avalanche current.

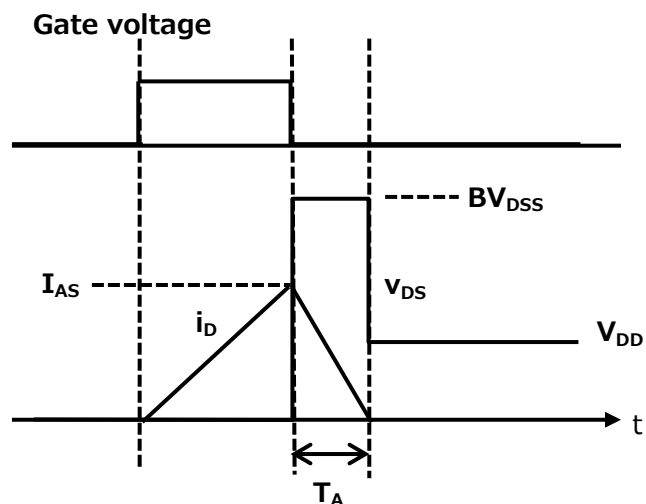
When the gate voltage exceeds the threshold voltage in Figure 2.4, a current flows through the

channel region of the MOSFET shown in Figure 2.2. However, when the gate voltage drops below the threshold voltage, the channel is shut off. This causes the drain-source voltage to rise and exceed the breakdown voltage BV_{DSS} , causing a current to flow through the diode in Figure 2.2, leading to avalanche breakdown. The energy stored in L is dissipated upon avalanche breakdown. In Figure 2.4, I_{AS} is the maximum allowable avalanche current, and E_{AS} is the maximum allowable avalanche energy.

The peak channel temperature T_{ch} in avalanche mode must be kept below the rated maximum channel temperature.



**Figure 2.3 Test circuit
for avalanche behavior**



**Figure 2.4 Avalanche
current waveform**

Avalanche energy E_{AS} is calculated as:

$$E_{AS} = P_A \cdot t_A = \frac{1}{2} BV_{DSS} \cdot I_{AS} \cdot T_A = \frac{1}{2} L I_{AS}^2 \frac{BV_{DSS}}{BV_{DSS} - V_{DD}}$$

$$T_A = \frac{L \cdot I_{AS}}{BV_{DSS} - V_{DD}}$$

E_{AS} : Avalanche energy

I_{AS} : Avalanche current

BV_{DSS} : Drain-source breakdown voltage

V_{DD} : Supply voltage

T_A : Duration of avalanche breakdown

P_A : Power supplied (during avalanche breakdown)

Avalanche ruggedness is the energy allowable in a single pulse. The channel temperature is the maximum channel temperature $T_{ch(max)}$ on the condition that the rated avalanche current I_{AS} will not be exceeded when single-shot avalanche energy is applied under the prescribed conditions. In practice, an increase in temperature caused by an avalanche event is calculated in order to determine that the channel temperature will not exceed the rated $T_{ch(max)}$ value even after taking into account an ambient temperature and a possible rise in temperature caused by steady-state and switching losses.

The temperature increase in avalanche mode is estimated as follows:

$$\Delta T_{ch} = 0.473 \cdot BV_{DSS} \cdot I_{AS} \cdot r_{th(ch-a)} \text{ (Note)}$$

BV_{DSS} : Drain-source breakdown voltage

I_{AS} : Avalanche current

$r_{th(ch-a)}$: Transient channel-to-ambient thermal impedance during avalanche mode (T_A)

Note: Power dissipation, P_D , caused by the current and voltage waveforms shown in Figure 2.5 changes over time in the shape of a triangle as highlighted by oblique lines in Figure 2.6. At this time, the channel temperature changes as indicated by the solid line in Figure 2.6, and peaks at time $1/2 t_w$. The maximum channel temperature at $1/2 t_w$ is calculated as 0.699 times the channel temperature indicated by the square wave. Hence, the approximate increase in channel temperature is as follows:

$$\Delta T_{ch} \cong 0.669 \cdot BV_{DSS} \cdot I_{AS} \cdot r_{th(ch-a)} \left(\frac{1}{2} t_w \right)$$

$$r_{th(ch-a)} \left(\frac{1}{2} t_w \right) \cong \frac{1}{\sqrt{2}} r_{th(ch-a)}$$

* Approximation for MOSFET products with a transient thermal impedance slope of 0.5 in the double logarithmic graph

which can be approximated* as:

$$\begin{aligned} \Delta T_{ch} &\cong 0.669 \cdot \frac{1}{\sqrt{2}} \cdot BV_{DSS} \cdot I_{AS} \cdot r_{th(ch-a)}(t_w) \\ &\cong 0.473 \cdot BV_{DSS} \cdot I_{AS} \cdot r_{th(ch-a)}(t_w) \end{aligned}$$

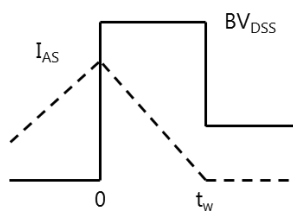


Figure 2.5 Current and voltage waveforms

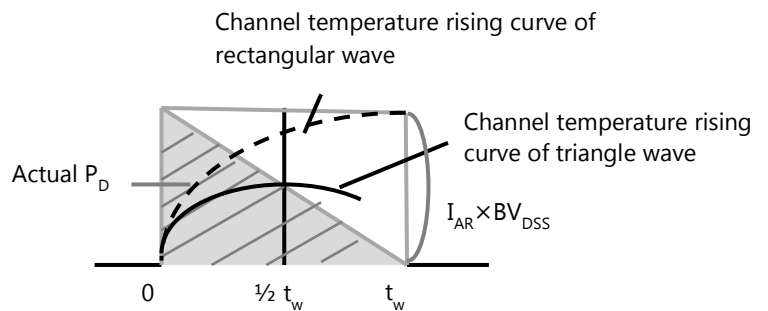


Figure 2.6 Power dissipation P_D

3. Protection against avalanche breakdown

Avalanche breakdown occurs when a voltage exceeding the breakdown voltage BV_{DSS} is applied to a MOSFET. This is due to a back-EMF voltage induced by a circuit's stray inductances. Reducing stray inductances is the most important measure for protection against avalanche breakdown. If stray inductances cannot be reduced sufficiently, it is necessary to consider drive conditions to prevent voltage surge or add a surge-absorbing circuit.

The following are commonly used methods for preventing avalanche breakdown:

- (1) Make wires as thick and short as possible to reduce the inductances of wires through which the main current passes.
- (2) Increase the value of the turn-off gate resistor to reduce the turn-off speed of the MOSFET in order to reduce the dv/dt during turn-off and suppress voltage surge. Note, however, that this method increases switching losses.
- (3) Add a Zener diode or a snubber circuit to damp surge voltage so that the MOSFET will not enter avalanche mode. In this case, care should be exercised as to the wire inductance.

RESTRICTIONS ON PRODUCT USE

Toshiba Corporation and its subsidiaries and affiliates are collectively referred to as "TOSHIBA". Hardware, software and systems described in this document are collectively referred to as "Product".

- TOSHIBA reserves the right to make changes to the information in this document and related Product without notice.
- This document and any information herein may not be reproduced without prior written permission from TOSHIBA. Even with TOSHIBA's written permission, reproduction is permissible only if reproduction is without alteration/omission.
- Though TOSHIBA works continually to improve Product's quality and reliability, Product can malfunction or fail. Customers are responsible for complying with safety standards and for providing adequate designs and safeguards for their hardware, software and systems which minimize risk and avoid situations in which a malfunction or failure of Product could cause loss of human life, bodily injury or damage to property, including data loss or corruption. Before customers use the Product, create designs including the Product, or incorporate the Product into their own applications, customers must also refer to and comply with (a) the latest versions of all relevant TOSHIBA information, including without limitation, this document, the specifications, the data sheets and application notes for Product and the precautions and conditions set forth in the "TOSHIBA Semiconductor Reliability Handbook" and (b) the instructions for the application with which the Product will be used with or for. Customers are solely responsible for all aspects of their own product design or applications, including but not limited to (a) determining the appropriateness of the use of this Product in such design or applications; (b) evaluating and determining the applicability of any information contained in this document, or in charts, diagrams, programs, algorithms, sample application circuits, or any other referenced documents; and (c) validating all operating parameters for such designs and applications. **TOSHIBA ASSUMES NO LIABILITY FOR CUSTOMERS' PRODUCT DESIGN OR APPLICATIONS.**
- **PRODUCT IS NEITHER INTENDED NOR WARRANTED FOR USE IN EQUIPMENTS OR SYSTEMS THAT REQUIRE EXTRAORDINARILY HIGH LEVELS OF QUALITY AND/OR RELIABILITY, AND/OR A MALFUNCTION OR FAILURE OF WHICH MAY CAUSE LOSS OF HUMAN LIFE, BODILY INJURY, SERIOUS PROPERTY DAMAGE AND/OR SERIOUS PUBLIC IMPACT ("UNINTENDED USE").** Except for specific applications as expressly stated in this document, Unintended Use includes, without limitation, equipment used in nuclear facilities, equipment used in the aerospace industry, medical equipment, equipment used for automobiles, trains, ships and other transportation, traffic signaling equipment, equipment used to control combustions or explosions, safety devices, elevators and escalators, devices related to electric power, and equipment used in finance-related fields. **IF YOU USE PRODUCT FOR UNINTENDED USE, TOSHIBA ASSUMES NO LIABILITY FOR PRODUCT.** For details, please contact your TOSHIBA sales representative.
- Do not disassemble, analyze, reverse-engineer, alter, modify, translate or copy Product, whether in whole or in part.
- Product shall not be used for or incorporated into any products or systems whose manufacture, use, or sale is prohibited under any applicable laws or regulations.
- The information contained herein is presented only as guidance for Product use. No responsibility is assumed by TOSHIBA for any infringement of patents or any other intellectual property rights of third parties that may result from the use of Product. No license to any intellectual property right is granted by this document, whether express or implied, by estoppel or otherwise.
- **ABSENT A WRITTEN SIGNED AGREEMENT, EXCEPT AS PROVIDED IN THE RELEVANT TERMS AND CONDITIONS OF SALE FOR PRODUCT, AND TO THE MAXIMUM EXTENT ALLOWABLE BY LAW, TOSHIBA (1) ASSUMES NO LIABILITY WHATSOEVER, INCLUDING WITHOUT LIMITATION, INDIRECT, CONSEQUENTIAL, SPECIAL, OR INCIDENTAL DAMAGES OR LOSS, INCLUDING WITHOUT LIMITATION, LOSS OF PROFITS, LOSS OF OPPORTUNITIES, BUSINESS INTERRUPTION AND LOSS OF DATA, AND (2) DISCLAIMS ANY AND ALL EXPRESS OR IMPLIED WARRANTIES AND CONDITIONS RELATED TO SALE, USE OF PRODUCT, OR INFORMATION, INCLUDING WARRANTIES OR CONDITIONS OF MERCHANTABILITY, FITNESS FOR A PARTICULAR PURPOSE, ACCURACY OF INFORMATION, OR NONINFRINGEMENT.**
- Do not use or otherwise make available Product or related software or technology for any military purposes, including without limitation, for the design, development, use, stockpiling or manufacturing of nuclear, chemical, or biological weapons or missile technology products (mass destruction weapons). Product and related software and technology may be controlled under the applicable export laws and regulations including, without limitation, the Japanese Foreign Exchange and Foreign Trade Law and the U.S. Export Administration Regulations. Export and re-export of Product or related software or technology are strictly prohibited except in compliance with all applicable export laws and regulations.
- Please contact your TOSHIBA sales representative for details as to environmental matters such as the RoHS compatibility of Product. Please use Product in compliance with all applicable laws and regulations that regulate the inclusion or use of controlled substances, including without limitation, the EU RoHS Directive. **TOSHIBA ASSUMES NO LIABILITY FOR DAMAGES OR LOSSES OCCURRING AS A RESULT OF NONCOMPLIANCE WITH APPLICABLE LAWS AND REGULATIONS.**