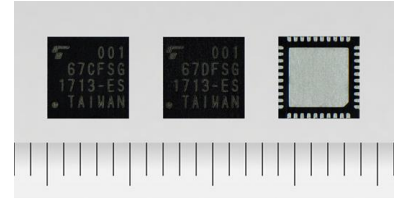


Toshiba's New Bluetooth® low energy Devices Offer the Industry's Lowest Current Consumption Class and Enhanced Security

TC3565CFSG and TC3567DFSG are added to the line-up of ICs that support Bluetooth® low energy (BLE) ver.4.2 communications. They offer an enhanced security function in addition to industry's leading-class low current consumption.



Three main Features

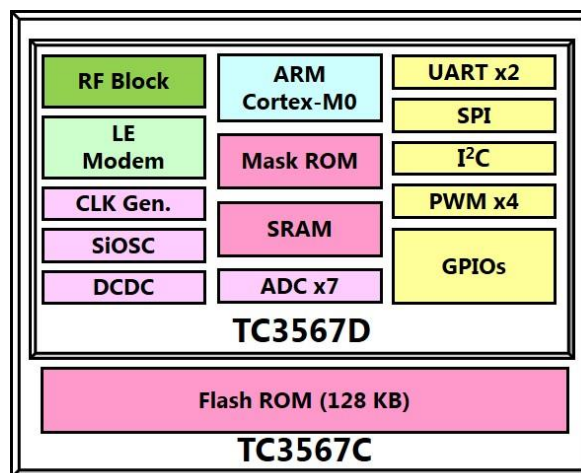
- The industry's lowest current consumption class.
- Bluetooth® low energy ver.4.2 central and peripheral devices are supported.
- Built-in 128KB user Flash memory area (only TC3567CFSG)

Applications

- Wearable devices
- Health care equipment
- General-purpose wireless data communication devices (remote controllers, toys, etc.)
- LED lighting
- IoT products where information security is regarded as important.

Products supporting Bluetooth® low energy like the above

Block Diagram

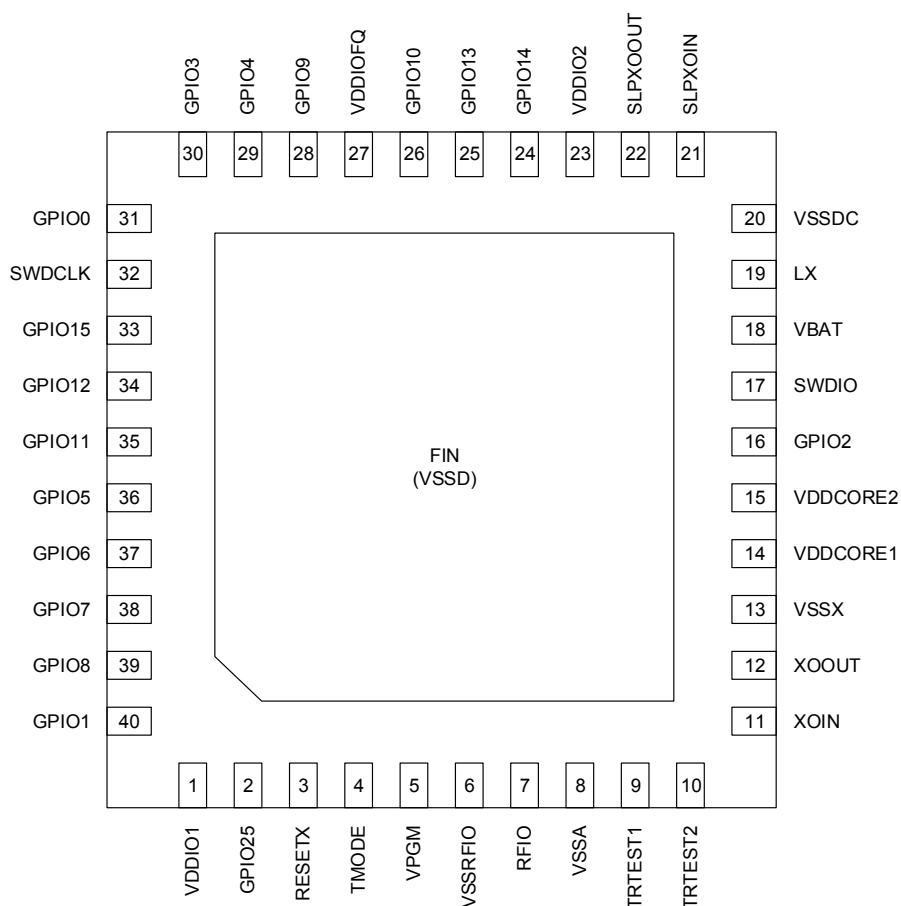


Note: Some of the functional blocks, circuits, or constants in the block diagram may be omitted or simplified for explanatory purposes.

Specifications

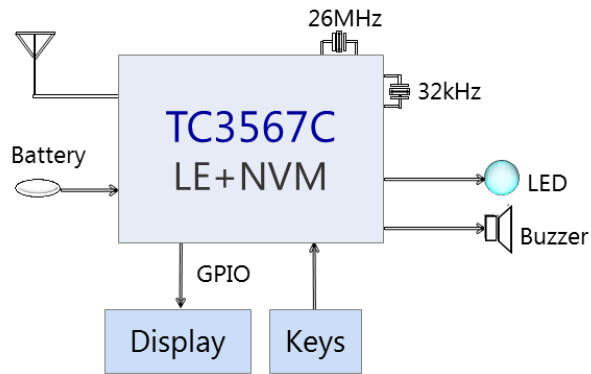
Item	TC3567CFSG	TC3567DFSG
Dual /BLE Single	Single	
Bluetooth Core Spec.	V4.2	
Standalone	✓	
OTA	✓	
Scatter net	4 connections (max.)	
User Flash area	128 KB	—
User RAM area	51 KB	
PKG	QFN40 5 x 5 mm	
Status	ES: Oct 2017	

Pin Assignment



Pin Assignment of TC3567C (Top View)

System configuration example



Application example

Note: The system configuration example shown above is provided for reference purposes only. Thorough evaluation is required, especially at the mass production design stage. Any license to any industrial property rights is not granted by providing this example.

※ The Bluetooth® word mark is registered trademark owned by the Bluetooth SIG, Inc.

Before creating and producing designs and using, customers must also refer to and comply with the latest versions of all relevant information of this document and the instructions for the application that Product will be used with or for.

TOSHIBA ELECTRONIC DEVICES & STORAGE CORPORATION

<https://toshiba.semicon-storage.com/>

© 2017 Toshiba Electronic Devices & Storage Corporation

2017-10 Issue

3 / 3

PE517100003A