

TOSHIBA

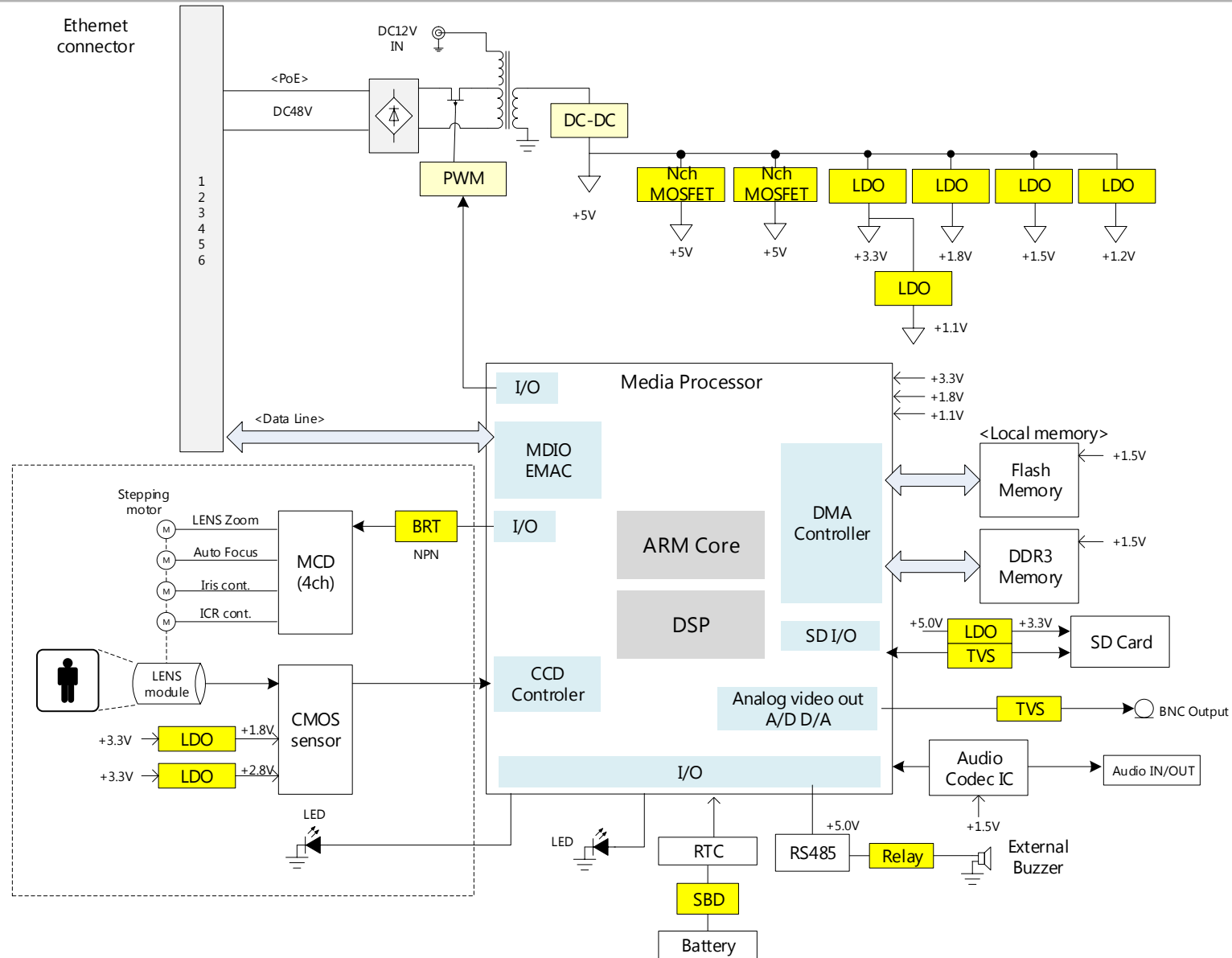
Leading Innovation >>>

Surveillance Camera

Application Block Diagram - ABD -

Toshiba Electronic Devices & Storage Corporation
Discrete Application Engineering Center

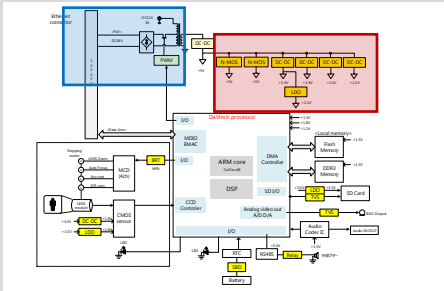
ABD – Surveillance Camera



Power supply line Recommended Devices

Navigation Window

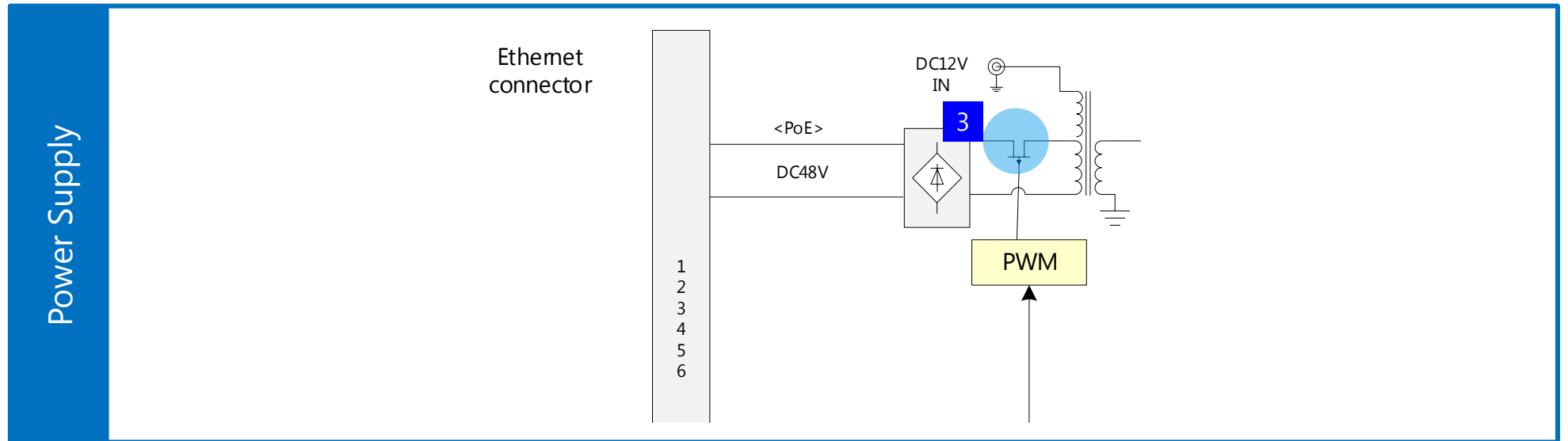
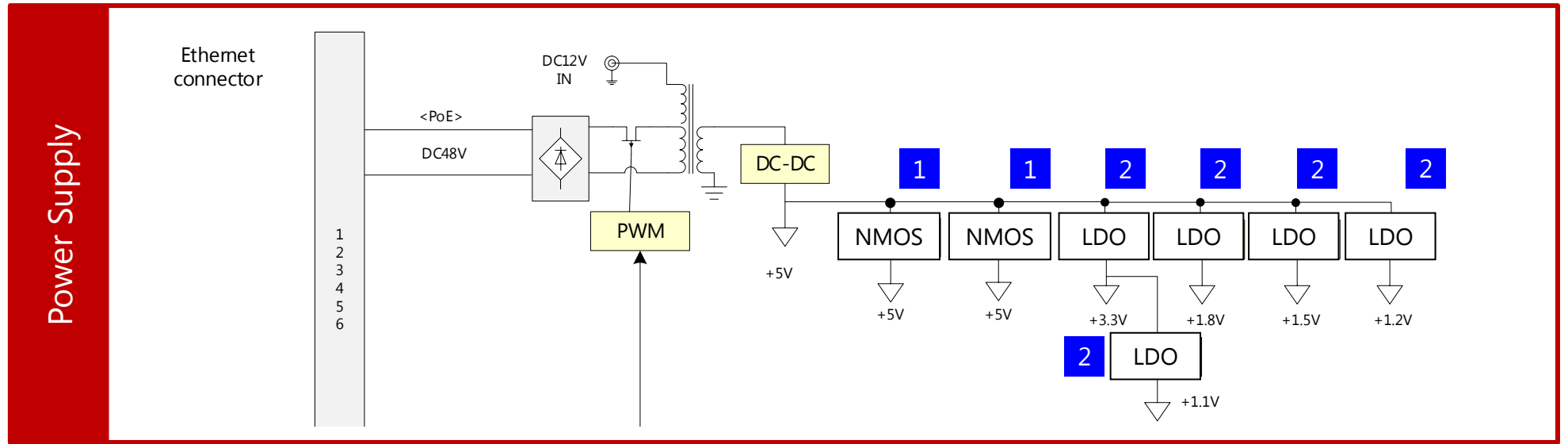
Map



Tips for Device Selection

The VDSS rating is important in selecting MOSFETs. Application of a voltage exceeding VDSS might result in the destruction of a MOSFET.

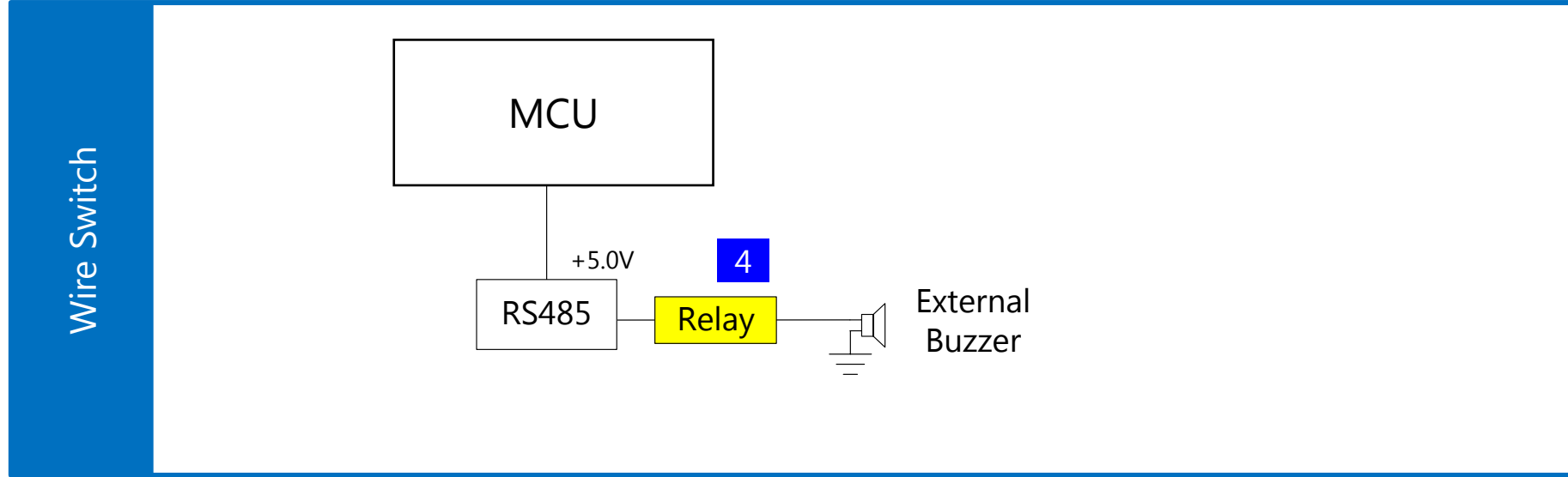
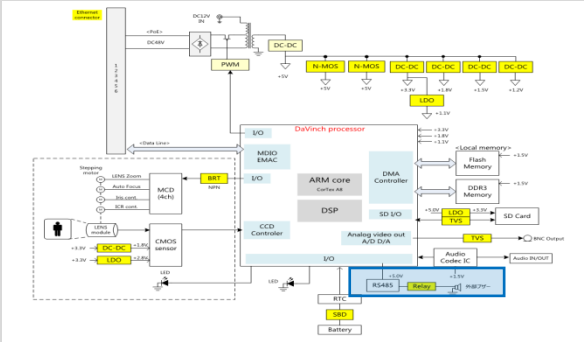
MOSFETs with high VDSS ratings tend to have large on-state resistance, RDS(ON).



Analog Signal line Recommended Devices

Navigation Window

Map



Tips for Device Selection

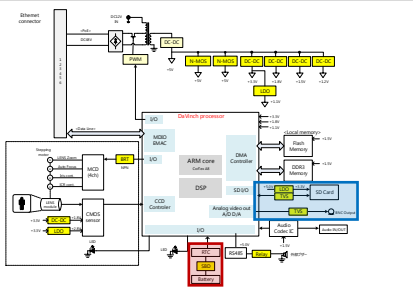
✓ LED current, output voltage of MCU and base-emitter voltage, DC current gain of the transistor are important in selecting transistor for LED drive.

✓ Small package saves board space

Power supply line Recommended Devices

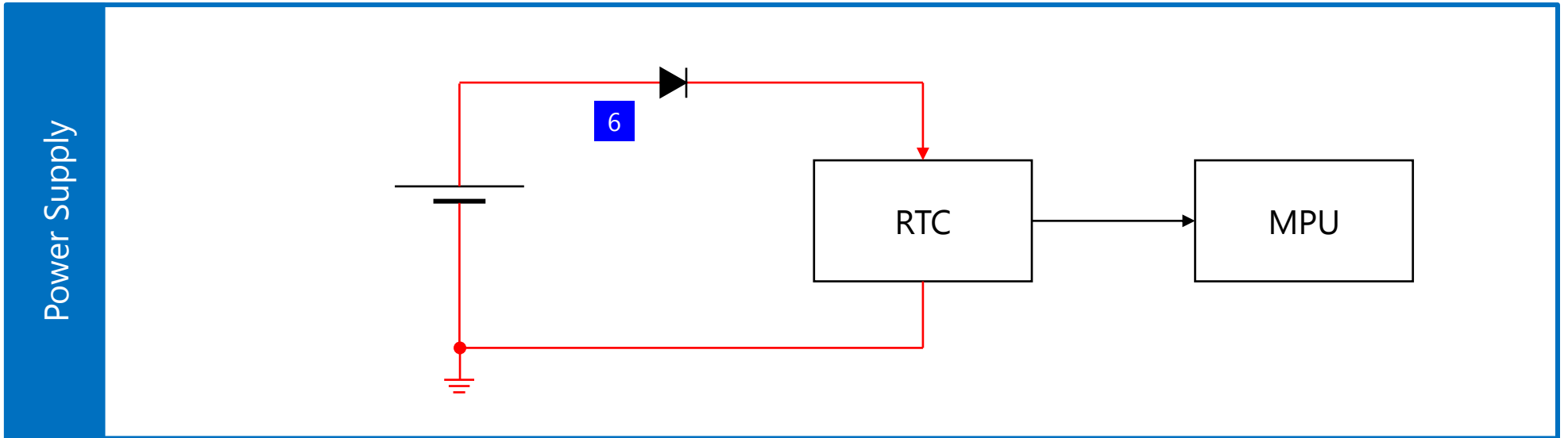
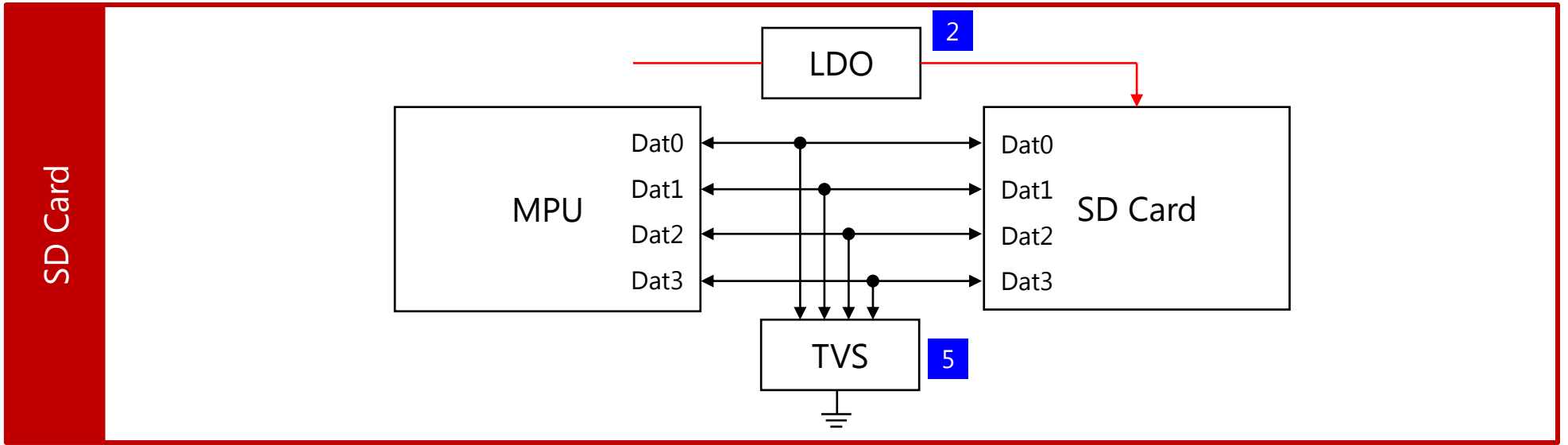
Navigation Window

Map





Tips for Device Selection

- PSRR is key performance of LDO for SD memory card interface
- TVS diodes for protecting high-speed signal lines from external ESD.
- Low VF and Low IR are needed for SBD




MOSFET 1 3

Device Type	MOSFET	MOSFET	
Proposal Product	SSM3K376R	TPH5900CNH	
Package	 SOT-23F	 SOP Advance	
	Size [mm]	2.9×2.4×0.8	10×28×4.5
Characteristic	Polarity	N-ch	N-ch
	VDSS [V]	30	150
	ID [A]	4(DC)	9(DC)
	PD [W]	1	42
	Ciss (Typ) [pF]	200	460
	RDS(ON) (Max) [mΩ]	56 at VGS=4.5V	59 at VGS=10V
VGSMerit	1.8V drive	Small R _{DS(ON)} High-speed switching	

LDO Regulator

2

Device Type	LDO	
Proposal Product	TCR2FE series	
Package	 SMV	
Characteristic	Size [mm]	2.9×2.8×1.1
	VIN (Max) [V]	6.0
	VOUT [V]	1.0 to 5.0
	IOUT (Min) [A]	0.2
	PD [W]	0.58
	IB (Typ) [μA]	35
	R.R. (Typ) [dB]	73
Merit	Low drop out	




Recommendation for Mechanical Relay Replacement



4

Characteristics	TLP3107	TLP3555A	TLP3556A
Package	2.54SOP6 (6.3×7.0×2.1 mm)	DIP4 (4.58×7.62×3.65 mm)	
Forward voltage (VF) @IF=10mA	1.18V(min), 1.33(typ), 1.48V(max)	1.5V(min), 1.64(typ), 1.8V(max)	
Contact arrangement	Normally opened (1-Form-A)		
On-state resistance (RON)	60mΩ	(100mΩ)	200mΩ
Diode power dissipation (PD)	50mW	50mW	50mW
Off-state output terminal voltage (VOFF)	60V	60V	100V
Turn-ON time (tON)	Max. 5.0 ms	Max. 2.0 ms	Max. 2.0 ms
Turn-OFF time (tOFF)	Max 1.0 ms	Max 1.0 ms	Max 0.5 ms
Operating temperature (Topr)	-40°C to +85°C	-40°C to +110°C	
Comment	<ul style="list-style-type: none"> ■ In case of using 12/24VDC relay for Surveillance Camera, it is possible to recommend of Toshiba photo relays(VOFF=600VDC, 100VDC). ■ Using DIP4, 2.54SOP6 package, it will be more smaller size of thermostat. 		

Photorelay



4

Device Type	Photorelay	Photorelay	Photorelay	
Proposal Product	TLP3107	TLP3555A	TLP3556A	
Package	 2.54 SOP6	 DIP4	 DIP4	
	Size [mm]	6.3×7.0×2.1	4.58×7.62×3.65	4.58×7.62×3.65
Characteristic	Contact arrangement	Normally opened (1-Form-A)	Normally opened (1-Form-A)	Normally opened (1-Form-A)
	ION (max)[A]	3.3	3.0	2.0
	VOFF (max) [V]	60	60	100
	RON (typ.) [mΩ]	60	100	200
	BVS (max) [Vrms]	1500	2500	2500

Device Type		TVS diode	TVS diode
Proposal Product		DF10G5M4N	DF10G6M4N
Package		 DFN10	 DFN10
		Size [mm]	2.5 x 1.0
Characteristic	Number of bit	4	4
	V_{ESD} [kV]	±20	±20
	$V_{RWM}(\text{Max})$ [V]	3.6	5.5
	$C_t(\text{Typ})$ [pF]	0.2	0.2
	$R_{DYN}(\text{Typ})$ [Ω]	0.5	0.5
	$V_C@1A(\text{Typ})$ [V]	7.5	8.5

Schottky Barrier Diode

6

Device Type		SBD	SBD	
Proposal Product		CUS10F30	CTS05F40	
Package		 SOD-323	 SOD-882	
Size [mm]		2.5 x 1.25	1.0 x 0.6	
Characteristic	I_O (Max) [A]	1.0	0.5	
	V_R (Max) [V]	30	40	
	V_F [V] @ V_R (Max)	Typ.	0.43	0.74
		Max.	0.50	0.81
	I_R [μ A]	Max.	50	15

RESTRICTIONS ON PRODUCT USE

- Toshiba Corporation, and its subsidiaries and affiliates (collectively "TOSHIBA"), reserve the right to make changes to the information in this document, and related hardware, software and systems (collectively "Product") without notice.
- This document and any information herein may not be reproduced without prior written permission from TOSHIBA. Even with TOSHIBA's written permission, reproduction is permissible only if reproduction is without alteration/omission.
- Though TOSHIBA works continually to improve Product's quality and reliability, Product can malfunction or fail. Customers are responsible for complying with safety standards and for providing adequate designs and safeguards for their hardware, software and systems which minimize risk and avoid situations in which a malfunction or failure of Product could cause loss of human life, bodily injury or damage to property, including data loss or corruption. Before customers use the Product, create designs including the Product, or incorporate the Product into their own applications, customers must also refer to and comply with (a) the latest versions of all relevant TOSHIBA information, including without limitation, this document, the specifications, the data sheets and application notes for Product and the precautions and conditions set forth in the "TOSHIBA Semiconductor Reliability Handbook" and (b) the instructions for the application with which the Product will be used with or for. Customers are solely responsible for all aspects of their own product design or applications, including but not limited to (a) determining the appropriateness of the use of this Product in such design or applications; (b) evaluating and determining the applicability of any information contained in this document, or in charts, diagrams, programs, algorithms, sample application circuits, or any other referenced documents; and (c) validating all operating parameters for such designs and applications. **TOSHIBA ASSUMES NO LIABILITY FOR CUSTOMERS' PRODUCT DESIGN OR APPLICATIONS.**
- **PRODUCT IS NEITHER INTENDED NOR WARRANTED FOR USE IN EQUIPMENTS OR SYSTEMS THAT REQUIRE EXTRAORDINARILY HIGH LEVELS OF QUALITY AND/OR RELIABILITY, AND/OR A MALFUNCTION OR FAILURE OF WHICH MAY CAUSE LOSS OF HUMAN LIFE, BODILY INJURY, SERIOUS PROPERTY DAMAGE AND/OR SERIOUS PUBLIC IMPACT ("UNINTENDED USE").** Except for specific applications as expressly stated in this document, Unintended Use includes, without limitation, equipment used in nuclear facilities, equipment used in the aerospace industry, medical equipment, equipment used for automobiles, trains, ships and other transportation, traffic signaling equipment, equipment used to control combustions or explosions, safety devices, elevators and escalators, devices related to electric power, and equipment used in finance-related fields. **IF YOU USE PRODUCT FOR UNINTENDED USE, TOSHIBA ASSUMES NO LIABILITY FOR PRODUCT.** For details, please contact your TOSHIBA sales representative.
- Do not disassemble, analyze, reverse-engineer, alter, modify, translate or copy Product, whether in whole or in part.
- Product shall not be used for or incorporated into any products or systems whose manufacture, use, or sale is prohibited under any applicable laws or regulations.
- The information contained herein is presented only as guidance for Product use. No responsibility is assumed by TOSHIBA for any infringement of patents or any other intellectual property rights of third parties that may result from the use of Product. No license to any intellectual property right is granted by this document, whether express or implied, by estoppel or otherwise.
- **ABSENT A WRITTEN SIGNED AGREEMENT, EXCEPT AS PROVIDED IN THE RELEVANT TERMS AND CONDITIONS OF SALE FOR PRODUCT, AND TO THE MAXIMUM EXTENT ALLOWABLE BY LAW, TOSHIBA (1) ASSUMES NO LIABILITY WHATSOEVER, INCLUDING WITHOUT LIMITATION, INDIRECT, CONSEQUENTIAL, SPECIAL, OR INCIDENTAL DAMAGES OR LOSS, INCLUDING WITHOUT LIMITATION, LOSS OF PROFITS, LOSS OF OPPORTUNITIES, BUSINESS INTERRUPTION AND LOSS OF DATA, AND (2) DISCLAIMS ANY AND ALL EXPRESS OR IMPLIED WARRANTIES AND CONDITIONS RELATED TO SALE, USE OF PRODUCT, OR INFORMATION, INCLUDING WARRANTIES OR CONDITIONS OF MERCHANTABILITY, FITNESS FOR A PARTICULAR PURPOSE, ACCURACY OF INFORMATION, OR NONINFRINGEMENT.**
- GaAs (Gallium Arsenide) is used in Product. GaAs is harmful to humans if consumed or absorbed, whether in the form of dust or vapor. Handle with care and do not break, cut, crush, grind, dissolve chemically or otherwise expose GaAs in Product.
- Do not use or otherwise make available Product or related software or technology for any military purposes, including without limitation, for the design, development, use, stockpiling or manufacturing of nuclear, chemical, or biological weapons or missile technology products (mass destruction weapons). Product and related software and technology may be controlled under the applicable export laws and regulations including, without limitation, the Japanese Foreign Exchange and Foreign Trade Law and the U.S. Export Administration Regulations. Export and re-export of Product or related software or technology are strictly prohibited except in compliance with all applicable export laws and regulations.
- Please contact your TOSHIBA sales representative for details as to environmental matters such as the RoHS compatibility of Product. Please use Product in compliance with all applicable laws and regulations that regulate the inclusion or use of controlled substances, including without limitation, the EU RoHS Directive. **TOSHIBA ASSUMES NO LIABILITY FOR DAMAGES OR LOSSES OCCURRING AS A RESULT OF NONCOMPLIANCE WITH APPLICABLE LAWS AND REGULATIONS.**

TOSHIBA

Leading Innovation >>>