

# TC7WP3125FK

## 1. Functional Description

- Low-Voltage, Low-Power 2-Bit Dual-Supply Bus Buffer

## 2. General

The TC7WP3125FK is a dual supply, advanced high-speed CMOS 2-bit dual supply voltage interface bus buffer fabricated with silicon gate CMOS technology.

It is also designed with over voltage tolerant inputs and outputs up to 3.6 V. Designed for use as an interface between a 1.2-V, 1.5-V, 1.8-V, or 2.5-V bus and a 1.8-V, 2.5-V or 3.6-V bus in mixed 1.2-V, 1.5-V, 1.8-V or 2.5-V/1.8-V, 2.5-V or 3.6-V supply systems.

The A-input interfaces with the 1.2-V, 1.5-V, 1.8-V or 2.5-V bus, the B-output with the 1.8-V, 2.5-V, 3.3-V bus.

The enable input  $\overline{OE}$  can be used to disable the device so that the signal lines are effectively isolated.

All inputs are equipped with protection circuits against static discharge or transient excess voltage.

## 3. Features (Note)

- Wide operating temperature range:  $T_{opr} = -40$  to  $125$  °C (Note 1)
- Operating voltage: 1.2 V to 1.8 V / 1.2 V to 2.5 V / 1.2 V to 3.3 V / 1.5 V to 2.5 V  
1.5 V to 3.3 V / 1.8 V to 2.5 V / 1.8 V to 3.3 V / 2.5 V to 3.3 V
- High-speed operation:  $t_{pd} = 6.8$  ns (max) ( $V_{CCA} = 2.5 \pm 0.2$  V,  $V_{CCB} = 3.3 \pm 0.3$  V)  
 $t_{pd} = 7.8$  ns (max) ( $V_{CCA} = 1.8 \pm 0.15$  V,  $V_{CCB} = 3.3 \pm 0.3$  V)  
 $t_{pd} = 8.6$  ns (max) ( $V_{CCA} = 1.5 \pm 0.1$  V,  $V_{CCB} = 3.3 \pm 0.3$  V)  
 $t_{pd} = 22$  ns (max) ( $V_{CCA} = 1.2 \pm 0.1$  V,  $V_{CCB} = 3.3 \pm 0.3$  V)  
 $t_{pd} = 9.5$  ns (max) ( $V_{CCA} = 1.8 \pm 0.15$  V,  $V_{CCB} = 2.5 \pm 0.2$  V)  
 $t_{pd} = 10.5$  ns (max) ( $V_{CCA} = 1.5 \pm 0.1$  V,  $V_{CCB} = 2.5 \pm 0.2$  V)  
 $t_{pd} = 23$  ns (max) ( $V_{CCA} = 1.2 \pm 0.1$  V,  $V_{CCB} = 2.5 \pm 0.2$  V)  
 $t_{pd} = 30$  ns (max) ( $V_{CCA} = 1.2 \pm 0.1$  V,  $V_{CCB} = 1.8 \pm 0.15$  V)
- Output current:  $|I_{OHB}|/I_{OLB} = 12$  mA (min) ( $V_{CCB} = 3.0$  V)  
 $|I_{OHB}|/I_{OLB} = 9$  mA (min) ( $V_{CCB} = 2.3$  V)  
 $|I_{OHB}|/I_{OLB} = 3$  mA (min) ( $V_{CCB} = 1.65$  V)
- Ultra-small package: US8
- Low power dissipation: By using the new circuit, the power consumption is reduced significantly when  $\overline{OE} = "H"$ .  
Suitable for battery-driven applications such as PDAs and cellular phones.
- Floating of A-bus is permitted (when  $\overline{OE} = "H"$ ).
- 3.6 V tolerance and power-down protection are provided to all inputs and outputs.

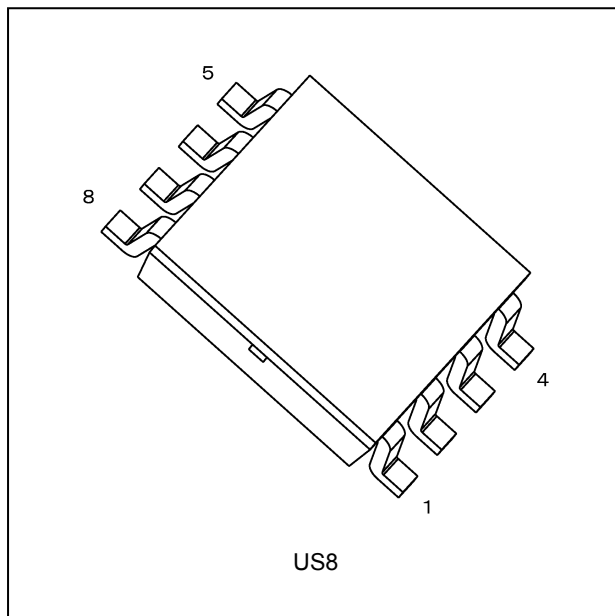
Note: Do not apply a signal to any bus pins when it is in the output mode. Damage may result.

Note 1: For devices with the ordering part number ending in (CT).  $T_{opr} = -40$  to  $85$  °C for the other devices.

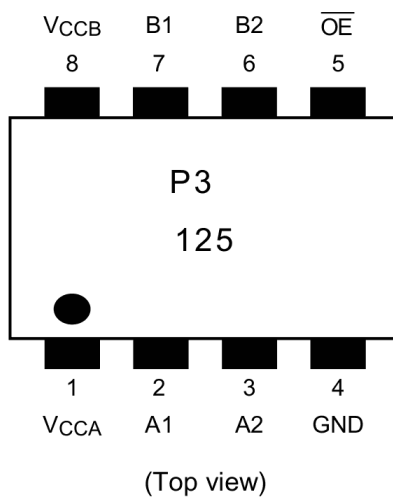
Start of commercial production

2020-12

## 4. Packaging



## 5. Pin Assignment

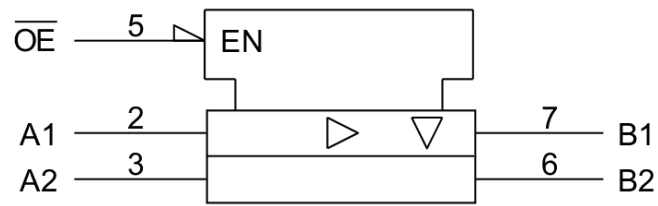


## 6. Truth Table

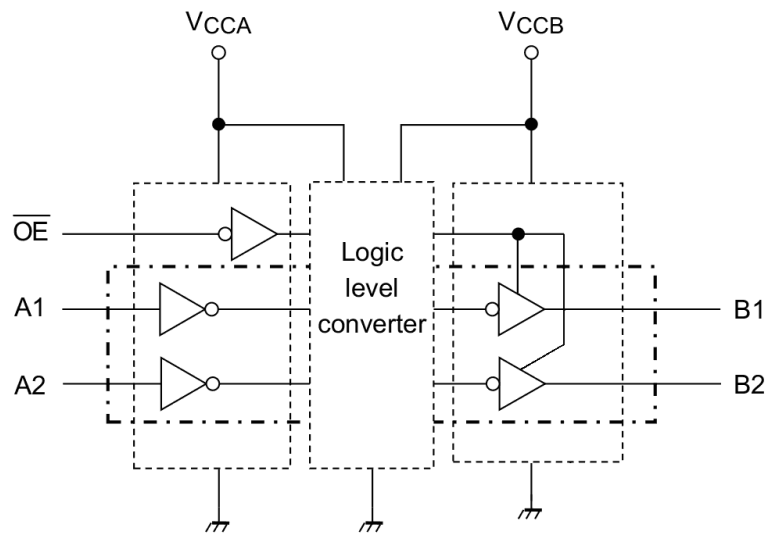
Input OE	Input A1,A2	Outputs B1,B2
L	L	L
L	H	H
H	X	Z

X: Don't care  
Z: High impedance

### 7. IEC Logic Symbol



### 8. Block Diagram



### 9. Absolute Maximum Ratings (Note) (Unless otherwise specified, $T_a = 25\text{ }^\circ\text{C}$ )

Characteristics	Symbol	Note	Rating	Unit
Supply voltage	$V_{CCA}$	(Note 1)	-0.5 to 4.6	V
	$V_{CCB}$		-0.5 to 4.6	
Input voltage ( $A_n, \overline{OE}$ )	$V_{IN}$		-0.5 to 4.6	V
Output voltage ( $B_n$ )	$V_{OUTB}$	(Note 2)	-0.5 to 4.6	V
		(Note 3)	-0.5 to $V_{CCB} + 0.5$	
Input diode current	$I_{IK}$		-50	mA
Output diode current	$I_{OK}$	(Note 4)	$\pm 50$	mA
Output current	$I_{OUTB}$		$\pm 25$	mA
$V_{CC}$ /ground current per supply pin	$I_{CCA}$		$\pm 25$	mA
	$I_{CCB}$		$\pm 50$	
Power dissipation	$P_D$		200	mW
Storage temperature	$T_{stg}$		-65 to 150	$^\circ\text{C}$

Note: Exceeding any of the absolute maximum ratings, even briefly, lead to deterioration in IC performance or even destruction.

Using continuously under heavy loads (e.g. the application of high temperature/current/voltage and the significant change in temperature, etc.) may cause this product to decrease in the reliability significantly even if the operating conditions (i.e. operating temperature/current/voltage, etc.) are within the absolute maximum ratings and the operating ranges.

Please design the appropriate reliability upon reviewing the Toshiba Semiconductor Reliability Handbook ("Handling Precautions"/"Derating Concept and Methods") and individual reliability data (i.e. reliability test report and estimated failure rate, etc).

Note 1: Don't supply a voltage to  $V_{CCB}$  pin when  $V_{CCA}$  is in the OFF state.

Note 2: Output in OFF state.

Note 3: High (H) or Low (L) state.  $I_{OUT}$  absolute maximum rating must be observed.

Note 4:  $V_{OUT} < \text{GND}$ ,  $V_{OUT} > V_{CC}$

### 10. Operating Ranges (Note)

Characteristics	Symbol	Note	Test Condition	Rating	Unit
Supply voltage	$V_{CCA}$	(Note 1)	—	1.1 to 2.7	V
	$V_{CCB}$			1.65 to 3.6	
Input voltage ( $A_n, \overline{OE}$ )	$V_{IN}$		—	0 to 3.6	V
Output voltage ( $B_n$ )	$V_{OUTB}$	(Note 2)	—	0 to 3.6	V
		(Note 3)		0 to $V_{CCB}$	
Output current ( $B_n$ )	$I_{OUTB}$		$V_{CCB} = 3.0$ to $3.6\text{ V}$	$\pm 12$	mA
			$V_{CCB} = 2.3$ to $2.7\text{ V}$	$\pm 9$	
			$V_{CCB} = 1.65$ to $1.95\text{ V}$	$\pm 3$	
Operating temperature	$T_{opr}$	(Note 4)	—	-40 to 125	$^\circ\text{C}$
		(Note 5)		-40 to 85	
Input rise and fall times	dt/dv		$V_{IN} = 0.8$ to $2.0\text{ V}$ , $V_{CCA} = 2.5\text{ V}$ , $V_{CCB} = 3.0\text{ V}$	0 to 10	ns/V

Note: The operating ranges must be maintained to ensure the normal operation of the device.  
Unused inputs must be tied to either  $V_{CC}$  or GND.

Note 1: Don't use at  $V_{CCA} > V_{CCB}$ .

Note 2: Output in OFF state.

Note 3: High (H) or Low (L) state.

Note 4: For devices with the ordering part number ending in (CT).

Note 5: For devices except those with the ordering part number ending in (CT).

### 11. Electrical Characteristics

#### 11.1. DC Characteristics

##### 11.1.1. $1.1\text{ V} \leq V_{CCA} \leq 2.7\text{ V}$ , $1.65\text{ V} < V_{CCB} \leq 3.6\text{ V}$ (Unless otherwise specified, $T_a = -40\text{ to }85\text{ }^\circ\text{C}$ )

Characteristics	Sym- bol	Test Condition	$V_{CCA}$ (V)	$V_{CCB}$ (V)	Min	Max	Unit	
High-level input voltage	$V_{IHA}$	$V_{IN}$	$1.1 \leq V_{CCA} \leq 1.4$	1.65 to 3.6	$0.65 \times V_{CCA}$	—	V	
			$1.4 \leq V_{CCA} \leq 1.65$	1.65 to 3.6	$0.65 \times V_{CCA}$	—		
			$1.65 \leq V_{CCA} \leq 2.3$	2.3 to 3.6	$0.65 \times V_{CCA}$	—		
			$2.3 \leq V_{CCA} \leq 2.7$	2.7 to 3.6	1.6	—		
Low-level input voltage	$V_{ILA}$	$V_{IN}$	$1.1 \leq V_{CCA} \leq 1.4$	1.65 to 3.6	—	$0.3 \times V_{CCA}$	V	
			$1.4 \leq V_{CCA} \leq 1.65$	1.65 to 3.6	—	$0.3 \times V_{CCA}$		
			$1.65 \leq V_{CCA} \leq 2.3$	2.3 to 3.6	—	$0.35 \times V_{CCA}$		
			$2.3 \leq V_{CCA} \leq 2.7$	2.7 to 3.6	—	0.7		
High-level output voltage	$V_{OHB}$	$A_n = V_{IH}$	$I_{OHB} = -100\ \mu\text{A}$	1.1 to 2.7	1.65 to 3.6	$V_{CCB} - 0.2$	V	
			$I_{OHB} = -3\ \text{mA}$	1.1 to 1.65	1.65	1.25		—
			$I_{OHB} = -9\ \text{mA}$	1.1 to 2.3	2.3	1.7		—
			$I_{OHB} = -12\ \text{mA}$	1.1 to 2.7	3.0	2.2		—
Low-level output voltage	$V_{OLB}$	$A_n = V_{IL}$	$I_{OLB} = 100\ \mu\text{A}$	1.1 to 2.7	1.65 to 3.6	—	V	
			$I_{OLB} = 3\ \text{mA}$	1.1 to 1.65	1.65	—		0.3
			$I_{OLB} = 9\ \text{mA}$	1.1 to 2.3	2.3	—		0.6
			$I_{OLB} = 12\ \text{mA}$	1.1 to 2.7	3.0	—		0.55
3-state output OFF-state leakage current	$I_{OZB}$	$A_n = V_{IHA}$ or $V_{ILA}$ $B_n = 0$ to $3.6\text{ V}$	1.1 to 2.7	1.65 to 3.6	—	$\pm 2.0$	$\mu\text{A}$	
Input leakage current	$I_{IN}$	$V_{IN} = 0$ to $3.6\text{ V}$	1.1 to 2.7	1.65 to 3.6	—	$\pm 1.0$	$\mu\text{A}$	
Power-off leakage current	$I_{OFF1}$	$V_{IN}, B_n = 0$ to $3.6\text{ V}$	0	0	—	2.0	$\mu\text{A}$	
	$I_{OFF2}$	$\overline{OE} = V_{CCA}$	1.1 to 2.7	0	—	2.0		
	$I_{OFF3}$	$A_n, B_n = 0$ to $3.6\text{ V}$	1.1 to 2.7	Open	—	2.0		
Quiescent supply current	$I_{CCA}$	$V_{IN} = V_{CCA}$ or GND	1.1 to 2.7	1.65 to 3.6	—	2.0	$\mu\text{A}$	
	$I_{CCB}$	$V_{IN} = V_{CCA}$ or GND	1.1 to 2.7	1.65 to 3.6	—	2.0		
	$I_{CCA}$	$V_{CCA} \leq V_{IN} \leq 3.6\text{ V}$	1.1 to 2.7	1.65 to 3.6	—	$\pm 2.0$		
	$I_{CCB}$	$V_{IN} = V_{CCA}$ $V_{CCB} \leq B_n \leq 3.6\text{ V}$	1.1 to 2.7	1.65 to 3.6	—	$\pm 2.0$		

### 11.1.2. $1.1\text{ V} \leq V_{CCA} \leq 2.7\text{ V}$ , $1.65\text{ V} < V_{CCB} \leq 3.6\text{ V}$ (Unless otherwise specified, $T_a = -40$ to $125\text{ }^\circ\text{C}$ )

Characteristics	Symbol	Test Condition	$V_{CCA}$ (V)	$V_{CCB}$ (V)	Min	Max	Unit	
High-level input voltage	$V_{IHA}$	$V_{IN}$	$1.1 \leq V_{CCA} \leq 1.4$	1.65 to 3.6	$0.65 \times V_{CCA}$	—	V	
			$1.4 \leq V_{CCA} \leq 1.65$	1.65 to 3.6	$0.65 \times V_{CCA}$	—		
			$1.65 \leq V_{CCA} \leq 2.3$	2.3 to 3.6	$0.65 \times V_{CCA}$	—		
			$2.3 \leq V_{CCA} \leq 2.7$	2.7 to 3.6	1.6	—		
Low-level input voltage	$V_{ILA}$	$V_{IN}$	$1.1 \leq V_{CCA} \leq 1.4$	1.65 to 3.6	—	$0.3 \times V_{CCA}$	V	
			$1.4 \leq V_{CCA} \leq 1.65$	1.65 to 3.6	—	$0.3 \times V_{CCA}$		
			$1.65 \leq V_{CCA} \leq 2.3$	2.3 to 3.6	—	$0.35 \times V_{CCA}$		
			$2.3 \leq V_{CCA} \leq 2.7$	2.7 to 3.6	—	0.7		
High-level output voltage	$V_{OHB}$	$A_n = V_{IH}$	$I_{OHB} = -100\text{ }\mu\text{A}$	1.1 to 2.7	1.65 to 3.6	$V_{CCB} - 0.2$	—	V
			$I_{OHB} = -3\text{ mA}$	1.1 to 1.65	1.65	1.15	—	
			$I_{OHB} = -9\text{ mA}$	1.1 to 2.3	2.3	1.6	—	
			$I_{OHB} = -12\text{ mA}$	1.1 to 2.7	3.0	2.0	—	
Low-level output voltage	$V_{OLB}$	$A_n = V_{IL}$	$I_{OLB} = 100\text{ }\mu\text{A}$	1.1 to 2.7	1.65 to 3.6	—	0.2	V
			$I_{OLB} = 3\text{ mA}$	1.1 to 1.65	1.65	—	0.45	
			$I_{OLB} = 9\text{ mA}$	1.1 to 2.3	2.3	—	0.8	
			$I_{OLB} = 12\text{ mA}$	1.1 to 2.7	3.0	—	0.8	
3-state output OFF-state leakage current	$I_{OZB}$	$A_n = V_{IHA}$ or $V_{ILA}$ $B_n = 0$ to $3.6\text{ V}$	1.1 to 2.7	1.65 to 3.6	—	$\pm 20.0$	$\mu\text{A}$	
Input leakage current	$I_{IN}$	$V_{IN} = 0$ to $3.6\text{ V}$	1.1 to 2.7	1.65 to 3.6	—	$\pm 10.0$	$\mu\text{A}$	
Power-off leakage current	$I_{OFF1}$	$V_{IN}, B_n = 0$ to $3.6\text{ V}$	0	0	—	20.0	$\mu\text{A}$	
	$I_{OFF2}$	$\overline{OE} = V_{CCA}$	1.1 to 2.7	0	—	20.0		
	$I_{OFF3}$	$A_n, B_n = 0$ to $3.6\text{ V}$	1.1 to 2.7	Open	—	20.0		
Quiescent supply current	$I_{CCA}$	$V_{IN} = V_{CCA}$ or GND	1.1 to 2.7	1.65 to 3.6	—	20.0	$\mu\text{A}$	
	$I_{CCB}$	$V_{IN} = V_{CCA}$ or GND	1.1 to 2.7	1.65 to 3.6	—	20.0		
	$I_{CCA}$	$V_{CCA} \leq V_{IN} \leq 3.6\text{ V}$	1.1 to 2.7	1.65 to 3.6	—	$\pm 20.0$		
	$I_{CCB}$	$V_{IN} = V_{CCA}$ $V_{CCB} \leq B_n \leq 3.6\text{ V}$	1.1 to 2.7	1.65 to 3.6	—	$\pm 20.0$		

### 11.2. AC Characteristics

#### 11.2.1. $V_{CCA} = 2.5 \pm 0.2 \text{ V}$ , $V_{CCB} = 3.3 \pm 0.3 \text{ V}$ (Unless otherwise specified, $T_a = -40$ to $85 \text{ }^\circ\text{C}$ , Input: $t_r = t_f = 2.0 \text{ ns}$ )

Characteristics	Symbol	Note	Test Condition	Min	Max	Unit
Propagation delay time (An $\rightarrow$ Bn)	$t_{PLH}/t_{PHL}$		See Fig. 12.1, 13.1 Table 12.1.1, 12.1.2, 13.1.1	1.0	6.8	ns
3-state output enable time ( $\overline{OE} \rightarrow$ Bn)	$t_{PZL}/t_{PZH}$		See Fig. 12.1, 13.1 Table 12.1.1, 12.1.2, 13.1.1	1.0	8.7	
3-state output disable time ( $\overline{OE} \rightarrow$ Bn)	$t_{PLZ}/t_{PHZ}$		See Fig. 12.1, 13.1 Table 12.1.1, 12.1.2, 13.1.1	1.0	3.9	
Output skew	$t_{osLH}/t_{osHL}$	(Note 1)		—	0.5	ns

Note 1: Parameter guaranteed by design. ( $t_{osLH} = |t_{PLHM} - t_{PLHN}|$ ,  $t_{osHL} = |t_{PHLM} - t_{PHLN}|$ )

#### 11.2.2. $V_{CCA} = 2.5 \pm 0.2 \text{ V}$ , $V_{CCB} = 3.3 \pm 0.3 \text{ V}$ (Unless otherwise specified, $T_a = -40$ to $125 \text{ }^\circ\text{C}$ , Input: $t_r = t_f = 2.0 \text{ ns}$ )

Characteristics	Symbol	Note	Test Condition	Min	Max	Unit
Propagation delay time (An $\rightarrow$ Bn)	$t_{PLH}/t_{PHL}$		See Fig. 12.1, 13.1 Table 12.1.1, 12.1.2, 13.1.1	1.0	7.7	ns
3-state output enable time ( $\overline{OE} \rightarrow$ Bn)	$t_{PZL}/t_{PZH}$		See Fig. 12.1, 13.1 Table 12.1.1, 12.1.2, 13.1.1	1.0	9.9	
3-state output disable time ( $\overline{OE} \rightarrow$ Bn)	$t_{PLZ}/t_{PHZ}$		See Fig. 12.1, 13.1 Table 12.1.1, 12.1.2, 13.1.1	1.0	4.3	
Output skew	$t_{osLH}/t_{osHL}$	(Note 1)		—	1.0	ns

Note 1: Parameter guaranteed by design. ( $t_{osLH} = |t_{PLHM} - t_{PLHN}|$ ,  $t_{osHL} = |t_{PHLM} - t_{PHLN}|$ )

#### 11.2.3. $V_{CCA} = 1.8 \pm 0.15 \text{ V}$ , $V_{CCB} = 3.3 \pm 0.3 \text{ V}$ (Unless otherwise specified, $T_a = -40$ to $85 \text{ }^\circ\text{C}$ , Input: $t_r = t_f = 2.0 \text{ ns}$ )

Characteristics	Symbol	Note	Test Condition	Min	Max	Unit
Propagation delay time (An $\rightarrow$ Bn)	$t_{PLH}/t_{PHL}$		See Fig. 12.1, 13.1 Table 12.1.1, 12.1.2, 13.1.1	1.0	7.8	ns
3-state output enable time ( $\overline{OE} \rightarrow$ Bn)	$t_{PZL}/t_{PZH}$		See Fig. 12.1, 13.1 Table 12.1.1, 12.1.2, 13.1.1	1.0	10.7	
3-state output disable time ( $\overline{OE} \rightarrow$ Bn)	$t_{PLZ}/t_{PHZ}$		See Fig. 12.1, 13.1 Table 12.1.1, 12.1.2, 13.1.1	1.0	5.2	
Output skew	$t_{osLH}/t_{osHL}$	(Note 1)		—	0.5	ns

Note 1: Parameter guaranteed by design. ( $t_{osLH} = |t_{PLHM} - t_{PLHN}|$ ,  $t_{osHL} = |t_{PHLM} - t_{PHLN}|$ )

#### 11.2.4. $V_{CCA} = 1.8 \pm 0.15 \text{ V}$ , $V_{CCB} = 3.3 \pm 0.3 \text{ V}$ (Unless otherwise specified, $T_a = -40$ to $125 \text{ }^\circ\text{C}$ , Input: $t_r = t_f = 2.0 \text{ ns}$ )

Characteristics	Symbol	Note	Test Condition	Min	Max	Unit
Propagation delay time (An $\rightarrow$ Bn)	$t_{PLH}/t_{PHL}$		See Fig. 12.1, 13.1 Table 12.1.1, 12.1.2, 13.1.1	1.0	8.5	ns
3-state output enable time ( $\overline{OE} \rightarrow$ Bn)	$t_{PZL}/t_{PZH}$		See Fig. 12.1, 13.1 Table 12.1.1, 12.1.2, 13.1.1	1.0	11.7	
3-state output disable time ( $\overline{OE} \rightarrow$ Bn)	$t_{PLZ}/t_{PHZ}$		See Fig. 12.1, 13.1 Table 12.1.1, 12.1.2, 13.1.1	1.0	5.6	
Output skew	$t_{osLH}/t_{osHL}$	(Note 1)		—	1.0	ns

Note 1: Parameter guaranteed by design. ( $t_{osLH} = |t_{PLHM} - t_{PLHN}|$ ,  $t_{osHL} = |t_{PHLM} - t_{PHLN}|$ )

### 11.2.5. $V_{CCA} = 1.5 \pm 0.1 \text{ V}$ , $V_{CCB} = 3.3 \pm 0.3 \text{ V}$ (Unless otherwise specified, $T_a = -40 \text{ to } 85 \text{ }^\circ\text{C}$ , Input: $t_r = t_f = 2.0 \text{ ns}$ )

Characteristics	Symbol	Note	Test Condition	Min	Max	Unit
Propagation delay time (An $\rightarrow$ Bn)	$t_{PLH}/t_{PHL}$		See Fig. 12.1, 13.1 Table 12.1.1, 12.1.2, 13.1.1	1.0	8.6	ns
3-state output enable time ( $\overline{OE} \rightarrow$ Bn)	$t_{PZL}/t_{PZH}$		See Fig. 12.1, 13.1 Table 12.1.1, 12.1.2, 13.1.1	1.0	14.3	
3-state output disable time ( $\overline{OE} \rightarrow$ Bn)	$t_{PLZ}/t_{PHZ}$		See Fig. 12.1, 13.1 Table 12.1.1, 12.1.2, 13.1.1	1.0	6.6	
Output skew	$t_{osLH}/t_{osHL}$	(Note 1)		—	1.5	ns

Note 1: Parameter guaranteed by design. ( $t_{osLH} = |t_{PLHM} - t_{PLHN}|$ ,  $t_{osHL} = |t_{PHLM} - t_{PHLN}|$ )

### 11.2.6. $V_{CCA} = 1.5 \pm 0.1 \text{ V}$ , $V_{CCB} = 3.3 \pm 0.3 \text{ V}$ (Unless otherwise specified, $T_a = -40 \text{ to } 125 \text{ }^\circ\text{C}$ , Input: $t_r = t_f = 2.0 \text{ ns}$ )

Characteristics	Symbol	Note	Test Condition	Min	Max	Unit
Propagation delay time (An $\rightarrow$ Bn)	$t_{PLH}/t_{PHL}$		See Fig. 12.1, 13.1 Table 12.1.1, 12.1.2, 13.1.1	1.0	9.2	ns
3-state output enable time ( $\overline{OE} \rightarrow$ Bn)	$t_{PZL}/t_{PZH}$		See Fig. 12.1, 13.1 Table 12.1.1, 12.1.2, 13.1.1	1.0	14.7	
3-state output disable time ( $\overline{OE} \rightarrow$ Bn)	$t_{PLZ}/t_{PHZ}$		See Fig. 12.1, 13.1 Table 12.1.1, 12.1.2, 13.1.1	1.0	6.8	
Output skew	$t_{osLH}/t_{osHL}$	(Note 1)		—	2.0	ns

Note 1: Parameter guaranteed by design. ( $t_{osLH} = |t_{PLHM} - t_{PLHN}|$ ,  $t_{osHL} = |t_{PHLM} - t_{PHLN}|$ )

### 11.2.7. $V_{CCA} = 1.2 \pm 0.1 \text{ V}$ , $V_{CCB} = 3.3 \pm 0.3 \text{ V}$ (Unless otherwise specified, $T_a = -40 \text{ to } 85 \text{ }^\circ\text{C}$ , Input: $t_r = t_f = 2.0 \text{ ns}$ )

Characteristics	Symbol	Note	Test Condition	Min	Max	Unit
Propagation delay time (An $\rightarrow$ Bn)	$t_{PLH}/t_{PHL}$		See Fig. 12.1, 13.1 Table 12.1.1, 12.1.2, 13.1.1	1.0	22	ns
3-state output enable time ( $\overline{OE} \rightarrow$ Bn)	$t_{PZL}/t_{PZH}$		See Fig. 12.1, 13.1 Table 12.1.1, 12.1.2, 13.1.1	1.0	52	
3-state output disable time ( $\overline{OE} \rightarrow$ Bn)	$t_{PLZ}/t_{PHZ}$		See Fig. 12.1, 13.1 Table 12.1.1, 12.1.2, 13.1.1	1.0	18	
Output skew	$t_{osLH}/t_{osHL}$	(Note 1)		—	1.5	ns

Note 1: Parameter guaranteed by design. ( $t_{osLH} = |t_{PLHM} - t_{PLHN}|$ ,  $t_{osHL} = |t_{PHLM} - t_{PHLN}|$ )

### 11.2.8. $V_{CCA} = 1.2 \pm 0.1 \text{ V}$ , $V_{CCB} = 3.3 \pm 0.3 \text{ V}$ (Unless otherwise specified, $T_a = -40 \text{ to } 125 \text{ }^\circ\text{C}$ , Input: $t_r = t_f = 2.0 \text{ ns}$ )

Characteristics	Symbol	Note	Test Condition	Min	Max	Unit
Propagation delay time (An $\rightarrow$ Bn)	$t_{PLH}/t_{PHL}$		See Fig. 12.1, 13.1 Table 12.1.1, 12.1.2, 13.1.1	1.0	22	ns
3-state output enable time ( $\overline{OE} \rightarrow$ Bn)	$t_{PZL}/t_{PZH}$		See Fig. 12.1, 13.1 Table 12.1.1, 12.1.2, 13.1.1	1.0	52	
3-state output disable time ( $\overline{OE} \rightarrow$ Bn)	$t_{PLZ}/t_{PHZ}$		See Fig. 12.1, 13.1 Table 12.1.1, 12.1.2, 13.1.1	1.0	18	
Output skew	$t_{osLH}/t_{osHL}$	(Note 1)		—	2.0	ns

Note 1: Parameter guaranteed by design. ( $t_{osLH} = |t_{PLHM} - t_{PLHN}|$ ,  $t_{osHL} = |t_{PHLM} - t_{PHLN}|$ )

### 11.2.9. $V_{CCA} = 1.8 \pm 0.15 \text{ V}$ , $V_{CCB} = 2.5 \pm 0.2 \text{ V}$ (Unless otherwise specified, $T_a = -40 \text{ to } 85 \text{ }^\circ\text{C}$ , Input: $t_r = t_f = 2.0 \text{ ns}$ )

Characteristics	Symbol	Note	Test Condition	Min	Max	Unit
Propagation delay time (An $\rightarrow$ Bn)	$t_{PLH}/t_{PHL}$		See Fig. 12.1, 13.1 Table 12.1.1, 12.1.2, 13.1.1	1.0	9.5	ns
3-state output enable time ( $\overline{OE} \rightarrow$ Bn)	$t_{PZL}/t_{PZH}$		See Fig. 12.1, 13.1 Table 12.1.1, 12.1.2, 13.1.1	1.0	12.6	
3-state output disable time ( $\overline{OE} \rightarrow$ Bn)	$t_{PLZ}/t_{PHZ}$		See Fig. 12.1, 13.1 Table 12.1.1, 12.1.2, 13.1.1	1.0	5.1	
Output skew	$t_{osLH}/t_{osHL}$	(Note 1)		—	0.5	ns

Note 1: Parameter guaranteed by design. ( $t_{osLH} = |t_{PLHM} - t_{PLHN}|$ ,  $t_{osHL} = |t_{PHLM} - t_{PHLN}|$ )

### 11.2.10. $V_{CCA} = 1.8 \pm 0.15 \text{ V}$ , $V_{CCB} = 2.5 \pm 0.2 \text{ V}$ (Unless otherwise specified, $T_a = -40 \text{ to } 125 \text{ }^\circ\text{C}$ , Input: $t_r = t_f = 2.0 \text{ ns}$ )

Characteristics	Symbol	Note	Test Condition	Min	Max	Unit
Propagation delay time (An $\rightarrow$ Bn)	$t_{PLH}/t_{PHL}$		See Fig. 12.1, 13.1 Table 12.1.1, 12.1.2, 13.1.1	1.0	10.4	ns
3-state output enable time ( $\overline{OE} \rightarrow$ Bn)	$t_{PZL}/t_{PZH}$		See Fig. 12.1, 13.1 Table 12.1.1, 12.1.2, 13.1.1	1.0	14.0	
3-state output disable time ( $\overline{OE} \rightarrow$ Bn)	$t_{PLZ}/t_{PHZ}$		See Fig. 12.1, 13.1 Table 12.1.1, 12.1.2, 13.1.1	1.0	5.6	
Output skew	$t_{osLH}/t_{osHL}$	(Note 1)		—	1.0	ns

Note 1: Parameter guaranteed by design. ( $t_{osLH} = |t_{PLHM} - t_{PLHN}|$ ,  $t_{osHL} = |t_{PHLM} - t_{PHLN}|$ )

### 11.2.11. $V_{CCA} = 1.5 \pm 0.1 \text{ V}$ , $V_{CCB} = 2.5 \pm 0.2 \text{ V}$ (Unless otherwise specified, $T_a = -40 \text{ to } 85 \text{ }^\circ\text{C}$ , Input: $t_r = t_f = 2.0 \text{ ns}$ )

Characteristics	Symbol	Note	Test Condition	Min	Max	Unit
Propagation delay time (An $\rightarrow$ Bn)	$t_{PLH}/t_{PHL}$		See Fig. 12.1, 13.1 Table 12.1.1, 12.1.2, 13.1.1	1.0	10.5	ns
3-state output enable time ( $\overline{OE} \rightarrow$ Bn)	$t_{PZL}/t_{PZH}$		See Fig. 12.1, 13.1 Table 12.1.1, 12.1.2, 13.1.1	1.0	15.4	
3-state output disable time ( $\overline{OE} \rightarrow$ Bn)	$t_{PLZ}/t_{PHZ}$		See Fig. 12.1, 13.1 Table 12.1.1, 12.1.2, 13.1.1	1.0	6.4	
Output skew	$t_{osLH}/t_{osHL}$	(Note 1)		—	1.5	ns

Note 1: Parameter guaranteed by design. ( $t_{osLH} = |t_{PLHM} - t_{PLHN}|$ ,  $t_{osHL} = |t_{PHLM} - t_{PHLN}|$ )

### 11.2.12. $V_{CCA} = 1.5 \pm 0.1 \text{ V}$ , $V_{CCB} = 2.5 \pm 0.2 \text{ V}$ (Unless otherwise specified, $T_a = -40 \text{ to } 125 \text{ }^\circ\text{C}$ , Input: $t_r = t_f = 2.0 \text{ ns}$ )

Characteristics	Symbol	Note	Test Condition	Min	Max	Unit
Propagation delay time (An $\rightarrow$ Bn)	$t_{PLH}/t_{PHL}$		See Fig. 12.1, 13.1 Table 12.1.1, 12.1.2, 13.1.1	1.0	11.2	ns
3-state output enable time ( $\overline{OE} \rightarrow$ Bn)	$t_{PZL}/t_{PZH}$		See Fig. 12.1, 13.1 Table 12.1.1, 12.1.2, 13.1.1	1.0	16.3	
3-state output disable time ( $\overline{OE} \rightarrow$ Bn)	$t_{PLZ}/t_{PHZ}$		See Fig. 12.1, 13.1 Table 12.1.1, 12.1.2, 13.1.1	1.0	6.6	
Output skew	$t_{osLH}/t_{osHL}$	(Note 1)		—	2.0	ns

Note 1: Parameter guaranteed by design. ( $t_{osLH} = |t_{PLHM} - t_{PLHN}|$ ,  $t_{osHL} = |t_{PHLM} - t_{PHLN}|$ )

**11.2.13.  $V_{CCA} = 1.2 \pm 0.1$  V,  $V_{CCB} = 2.5 \pm 0.2$  V**  
**(Unless otherwise specified,  $T_a = -40$  to  $85$  °C, Input:  $t_r = t_f = 2.0$  ns)**

Characteristics	Symbol	Note	Test Condition	Min	Max	Unit
Propagation delay time (An → Bn)	$t_{PLH}/t_{PHL}$		See Fig. 12.1, 13.1 Table 12.1.1, 12.1.2, 13.1.1	1.0	23	ns
3-state output enable time ( $\overline{OE} \rightarrow Bn$ )	$t_{PZL}/t_{PZH}$		See Fig. 12.1, 13.1 Table 12.1.1, 12.1.2, 13.1.1	1.0	54	
3-state output disable time ( $\overline{OE} \rightarrow Bn$ )	$t_{PLZ}/t_{PHZ}$		See Fig. 12.1, 13.1 Table 12.1.1, 12.1.2, 13.1.1	1.0	17	
Output skew	$t_{osLH}/t_{osHL}$	(Note 1)		—	1.5	ns

Note 1: Parameter guaranteed by design. ( $t_{osLH} = |t_{PLHM} - t_{PLHN}|$ ,  $t_{osHL} = |t_{PHLM} - t_{PHLN}|$ )

**11.2.14.  $V_{CCA} = 1.2 \pm 0.1$  V,  $V_{CCB} = 2.5 \pm 0.2$  V**  
**(Unless otherwise specified,  $T_a = -40$  to  $125$  °C, Input:  $t_r = t_f = 2.0$  ns)**

Characteristics	Symbol	Note	Test Condition	Min	Max	Unit
Propagation delay time (An → Bn)	$t_{PLH}/t_{PHL}$		See Fig. 12.1, 13.1 Table 12.1.1, 12.1.2, 13.1.1	1.0	23	ns
3-state output enable time ( $\overline{OE} \rightarrow Bn$ )	$t_{PZL}/t_{PZH}$		See Fig. 12.1, 13.1 Table 12.1.1, 12.1.2, 13.1.1	1.0	54	
3-state output disable time ( $\overline{OE} \rightarrow Bn$ )	$t_{PLZ}/t_{PHZ}$		See Fig. 12.1, 13.1 Table 12.1.1, 12.1.2, 13.1.1	1.0	17	
Output skew	$t_{osLH}/t_{osHL}$	(Note 1)		—	2.0	ns

Note 1: Parameter guaranteed by design. ( $t_{osLH} = |t_{PLHM} - t_{PLHN}|$ ,  $t_{osHL} = |t_{PHLM} - t_{PHLN}|$ )

**11.2.15.  $V_{CCA} = 1.2 \pm 0.1$  V,  $V_{CCB} = 1.8 \pm 0.15$  V**  
**(Unless otherwise specified,  $T_a = -40$  to  $85$  °C, Input:  $t_r = t_f = 2.0$  ns)**

Characteristics	Symbol	Note	Test Condition	Min	Max	Unit
Propagation delay time (An → Bn)	$t_{PLH}/t_{PHL}$		See Fig. 12.1, 13.1 Table 12.1.1, 12.1.2, 13.1.1	1.0	30	ns
3-state output enable time ( $\overline{OE} \rightarrow Bn$ )	$t_{PZL}/t_{PZH}$		See Fig. 12.1, 13.1 Table 12.1.1, 12.1.2, 13.1.1	1.0	55	
3-state output disable time ( $\overline{OE} \rightarrow Bn$ )	$t_{PLZ}/t_{PHZ}$		See Fig. 12.1, 13.1 Table 12.1.1, 12.1.2, 13.1.1	1.0	17	
Output skew	$t_{osLH}/t_{osHL}$	(Note 1)		—	1.5	ns

Note 1: Parameter guaranteed by design. ( $t_{osLH} = |t_{PLHM} - t_{PLHN}|$ ,  $t_{osHL} = |t_{PHLM} - t_{PHLN}|$ )

**11.2.16.  $V_{CCA} = 1.2 \pm 0.1$  V,  $V_{CCB} = 1.8 \pm 0.15$  V**  
**(Unless otherwise specified,  $T_a = -40$  to  $125$  °C, Input:  $t_r = t_f = 2.0$  ns)**

Characteristics	Symbol	Note	Test Condition	Min	Max	Unit
Propagation delay time (An → Bn)	$t_{PLH}/t_{PHL}$		See Fig. 12.1, 13.1 Table 12.1.1, 12.1.2, 13.1.1	1.0	30	ns
3-state output enable time ( $\overline{OE} \rightarrow Bn$ )	$t_{PZL}/t_{PZH}$		See Fig. 12.1, 13.1 Table 12.1.1, 12.1.2, 13.1.1	1.0	55	
3-state output disable time ( $\overline{OE} \rightarrow Bn$ )	$t_{PLZ}/t_{PHZ}$		See Fig. 12.1, 13.1 Table 12.1.1, 12.1.2, 13.1.1	1.0	17	
Output skew	$t_{osLH}/t_{osHL}$	(Note 1)		—	2.0	ns

Note 1: Parameter guaranteed by design. ( $t_{osLH} = |t_{PLHM} - t_{PLHN}|$ ,  $t_{osHL} = |t_{PHLM} - t_{PHLN}|$ )

### 11.3. Capacitive Characteristics (Unless otherwise specified, $T_a = 25\text{ °C}$ )

Characteristics	Symbol	Note	$V_{CCA}$ (V)	$V_{CCB}$ (V)	Typ.	Unit	
Input capacitance	$C_{IN}$		An, $\overline{OE}$	2.5	3.3	7	pF
Output capacitance	$C_{OUT}$		Bn	2.5	3.3	8	pF
Power dissipation capacitance	$C_{PDA}$	(Note 1)	$\overline{OE} = "L"$	2.5	3.3	3	pF
			$\overline{OE} = "H"$	2.5	3.3	0	
	$C_{PDB}$	(Note 1)	$\overline{OE} = "L"$	2.5	3.3	13	
			$\overline{OE} = "H"$	2.5	3.3	0	

Note 1:  $C_{PD}$  is defined as the value of the internal equivalent capacitance which is calculated from the operating current consumption without load. Average operating current can be obtained by the equation.

$$I_{CC(opr)} = C_{PD} \times V_{CC} \times f_{IN} + I_{CC}/2 \text{ (per bit)}$$

## 12. AC Test Circuit

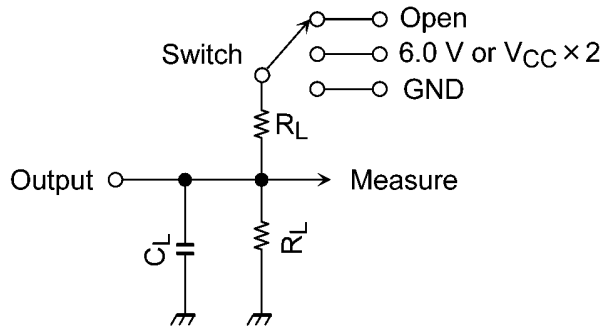


Fig. 12.1 AC Test Circuit

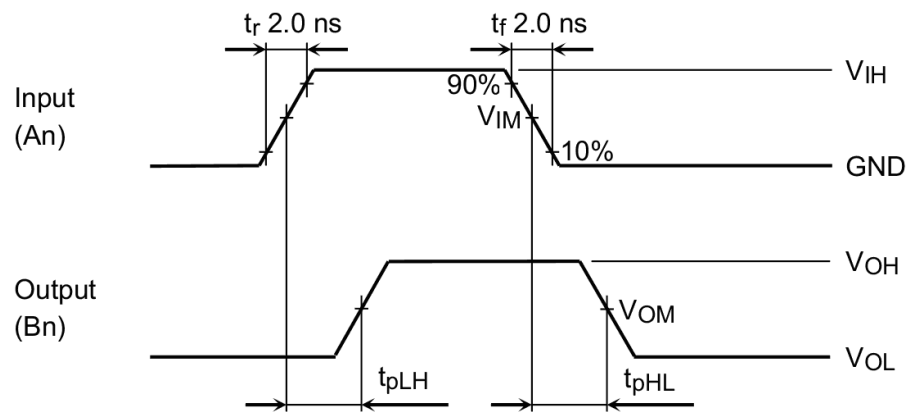
Table 12.1.1 Parameter for AC Test Circuit

Parameter	Switch	
$t_{PLH}$ , $t_{PHL}$	Open	
$t_{PLZ}$ , $t_{PZL}$	6.0 V	@ $V_{CCB} = 3.3 \pm 0.3$ V
	$V_{CCB} \times 2$	@ $V_{CCB} = 2.5 \pm 0.2$ V
		@ $V_{CCB} = 1.8 \pm 0.15$ V
$t_{PHZ}$ , $t_{PZH}$	GND	

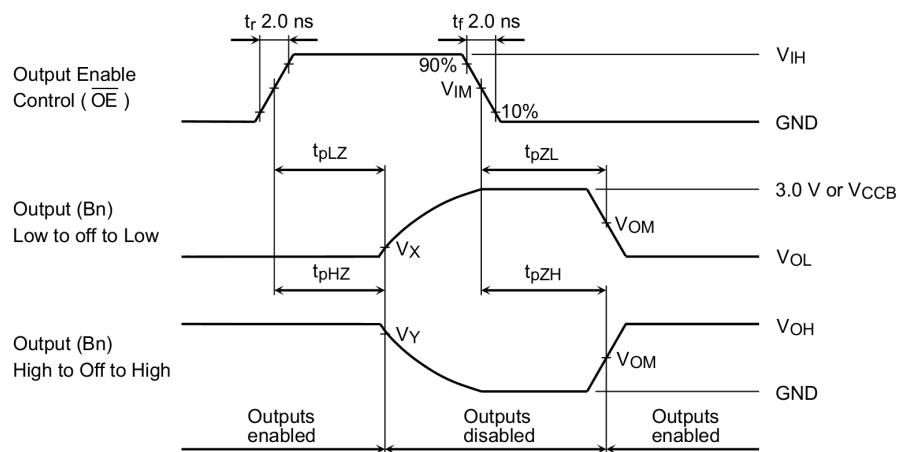
Table 12.1.2 Parameter for AC Test Circuit

Symbol	$V_{CCB} = 3.3 \pm 0.3$ V $V_{CCB} = 2.5 \pm 0.2$ V	$V_{CCB} = 1.8 \pm 0.15$ V
$R_L$	500 $\Omega$	1 k $\Omega$
$C_L$	30 pF	30 pF

### 13. AC Waveform



**Fig. 13.1**  $t_{PLH}$ ,  $t_{PHL}$



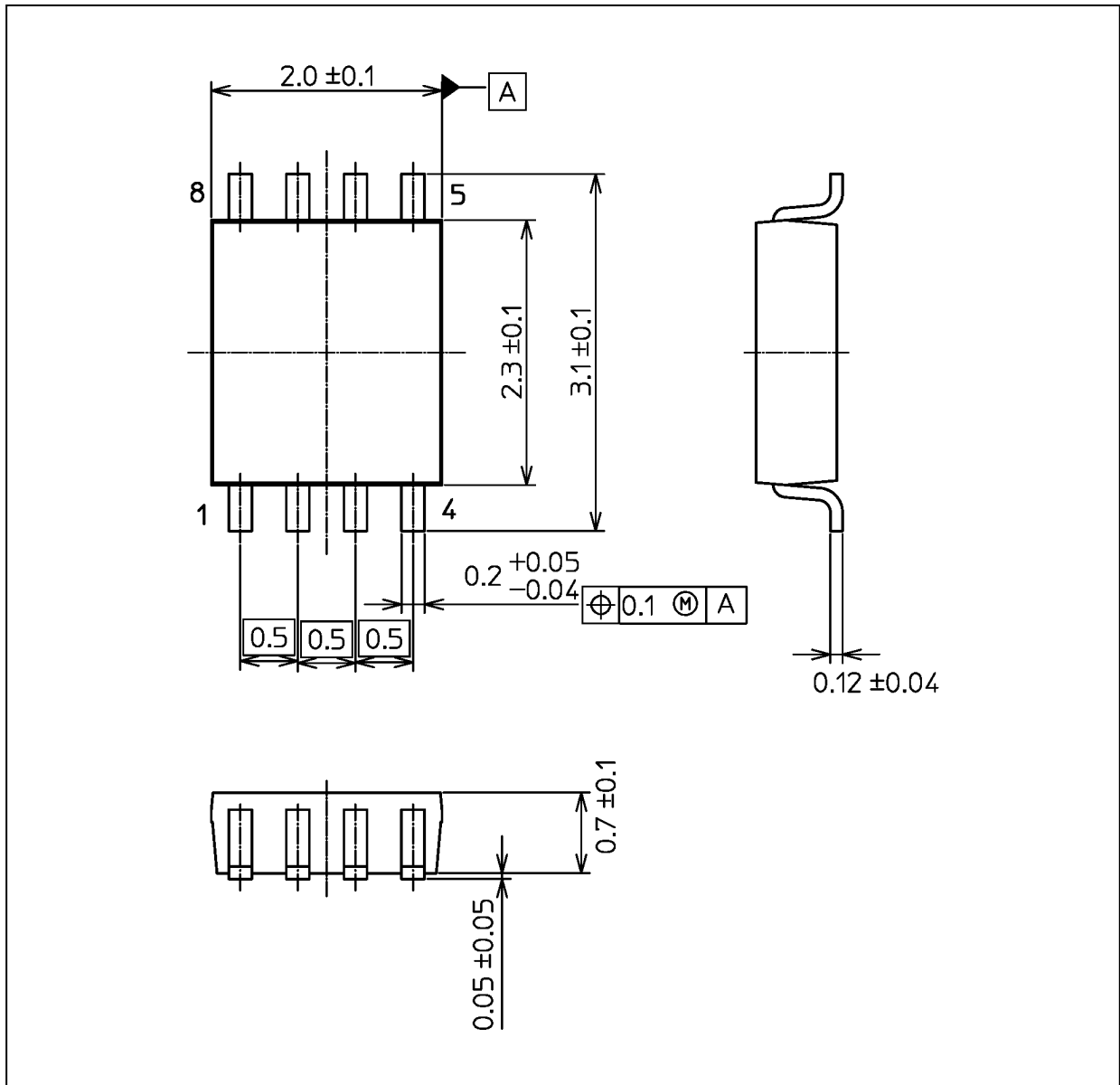
**Fig. 13.2**  $t_{PLZ}$ ,  $t_{PHZ}$ ,  $t_{PZL}$ ,  $t_{PZH}$

**Table 13.1.1 AC Waveform Symbols**

Symbol	$V_{CC} = 3.3 \pm 0.3 \text{ V}$	$V_{CC} = 2.5 \pm 0.2 \text{ V}$ $V_{CC} = 1.8 \pm 0.15 \text{ V}$	$V_{CC} = 1.5 \pm 0.1 \text{ V}$ $V_{CC} = 1.2 \pm 0.1 \text{ V}$
$V_{IH}$	—	$V_{CCA}$	$V_{CCA}$
$V_{IM}$	—	$V_{CCA}/2$	$V_{CCA}/2$
$V_{OM}$	$V_{OH}/2$	$V_{OH}/2$	—
$V_X$	$V_{OL} + 0.3 \text{ V}$	$V_{OL} + 0.15 \text{ V}$	—
$V_Y$	$V_{OH} - 0.3 \text{ V}$	$V_{OH} - 0.15 \text{ V}$	—

## Package Dimensions

Unit: mm



Weight: 0.01 g (typ.)

Package Name(s)
JEDEC: SOT-765
Nickname: US8

## RESTRICTIONS ON PRODUCT USE

Toshiba Corporation and its subsidiaries and affiliates are collectively referred to as "TOSHIBA".

Hardware, software and systems described in this document are collectively referred to as "Product".

- TOSHIBA reserves the right to make changes to the information in this document and related Product without notice.
- This document and any information herein may not be reproduced without prior written permission from TOSHIBA. Even with TOSHIBA's written permission, reproduction is permissible only if reproduction is without alteration/omission.
- Though TOSHIBA works continually to improve Product's quality and reliability, Product can malfunction or fail. Customers are responsible for complying with safety standards and for providing adequate designs and safeguards for their hardware, software and systems which minimize risk and avoid situations in which a malfunction or failure of Product could cause loss of human life, bodily injury or damage to property, including data loss or corruption. Before customers use the Product, create designs including the Product, or incorporate the Product into their own applications, customers must also refer to and comply with (a) the latest versions of all relevant TOSHIBA information, including without limitation, this document, the specifications, the data sheets and application notes for Product and the precautions and conditions set forth in the "TOSHIBA Semiconductor Reliability Handbook" and (b) the instructions for the application with which the Product will be used with or for. Customers are solely responsible for all aspects of their own product design or applications, including but not limited to (a) determining the appropriateness of the use of this Product in such design or applications; (b) evaluating and determining the applicability of any information contained in this document, or in charts, diagrams, programs, algorithms, sample application circuits, or any other referenced documents; and (c) validating all operating parameters for such designs and applications. **TOSHIBA ASSUMES NO LIABILITY FOR CUSTOMERS' PRODUCT DESIGN OR APPLICATIONS.**
- **PRODUCT IS NEITHER INTENDED NOR WARRANTED FOR USE IN EQUIPMENTS OR SYSTEMS THAT REQUIRE EXTRAORDINARILY HIGH LEVELS OF QUALITY AND/OR RELIABILITY, AND/OR A MALFUNCTION OR FAILURE OF WHICH MAY CAUSE LOSS OF HUMAN LIFE, BODILY INJURY, SERIOUS PROPERTY DAMAGE AND/OR SERIOUS PUBLIC IMPACT ("UNINTENDED USE").** Except for specific applications as expressly stated in this document, Unintended Use includes, without limitation, equipment used in nuclear facilities, equipment used in the aerospace industry, Class 3 medical devices, equipment used for automobiles, and military vehicles and munitions. **IF YOU USE PRODUCT FOR UNINTENDED USE, TOSHIBA ASSUMES NO LIABILITY FOR PRODUCT.** For details, please contact your TOSHIBA sales representative or contact us via our website.
- Do not disassemble, analyze, reverse-engineer, alter, modify, translate or copy Product, whether in whole or in part.
- Product shall not be used for or incorporated into any products or systems whose manufacture, use, or sale is prohibited under any applicable laws or regulations.
- The information contained herein is presented only as guidance for Product use. No responsibility is assumed by TOSHIBA for any infringement of patents or any other intellectual property rights of third parties that may result from the use of Product. No license to any intellectual property right is granted by this document, whether express or implied, by estoppel or otherwise.
- **ABSENT A WRITTEN SIGNED AGREEMENT, EXCEPT AS PROVIDED IN THE RELEVANT TERMS AND CONDITIONS OF SALE FOR PRODUCT, AND TO THE MAXIMUM EXTENT ALLOWABLE BY LAW, TOSHIBA (1) ASSUMES NO LIABILITY WHATSOEVER, INCLUDING WITHOUT LIMITATION, INDIRECT, CONSEQUENTIAL, SPECIAL, OR INCIDENTAL DAMAGES OR LOSS, INCLUDING WITHOUT LIMITATION, LOSS OF PROFITS, LOSS OF OPPORTUNITIES, BUSINESS INTERRUPTION AND LOSS OF DATA, AND (2) DISCLAIMS ANY AND ALL EXPRESS OR IMPLIED WARRANTIES AND CONDITIONS RELATED TO SALE, USE OF PRODUCT, OR INFORMATION, INCLUDING WARRANTIES OR CONDITIONS OF MERCHANTABILITY, FITNESS FOR A PARTICULAR PURPOSE, ACCURACY OF INFORMATION, OR NONINFRINGEMENT.**
- Do not use or otherwise make available Product or related software or technology for any military purposes, including without limitation, for the design, development, use, stockpiling or manufacturing of nuclear, chemical, or biological weapons or missile technology products (mass destruction weapons). Product and related software and technology may be controlled under the applicable export laws and regulations including, without limitation, the Japanese Foreign Exchange and Foreign Trade Law and the U.S. Export Administration Regulations. Export and re-export of Product or related software or technology are strictly prohibited except in compliance with all applicable export laws and regulations.
- Please contact your TOSHIBA sales representative for details as to environmental matters such as the RoHS compatibility of Product. Please use Product in compliance with all applicable laws and regulations that regulate the inclusion or use of controlled substances, including without limitation, the EU RoHS Directive. **TOSHIBA ASSUMES NO LIABILITY FOR DAMAGES OR LOSSES OCCURRING AS A RESULT OF NONCOMPLIANCE WITH APPLICABLE LAWS AND REGULATIONS.**