

CMOS Logic IC AC/ACT (Advanced) Series-Product Overview

Outline:

CMOS Logic ICs AC/ACT series has the feature of high speed operation (up to 90 MHz) and high output current (± 24 mA).

This product group is suitable for bus interface applications that require high current drive capability and so on.

This document provides an overview of the product, part numbering method, maximum ratings, electrical characteristics, and measurement methods.

Table of Contents

Outline:.....	1
1. General.....	4
1.1. General.....	4
1.2. Features.....	4
1.2.1. High Speed.....	4
1.2.2. Interface Capability.....	5
1.2.3. Standard Output Current.....	5
2. Method of Designating CMOS Logic ICs.....	6
2.1. Part Naming Conventions.....	6
3. Explanation of Ratings and Standards.....	7
3.1. Absolute Maximum Ratings.....	7
3.2. Operating Ranges.....	8
3.2.1. AC Series.....	8
3.2.2. ACT Series.....	8
3.3. DC Characteristics.....	9
3.3.1. AC Series.....	9
3.3.2. ACT Series.....	10
4. Explanation of Symbols Used in Data Sheets.....	11
4.1. How to Read a Truth Table.....	11
4.2. AC Characteristics.....	11
4.2.1. I/O Switching Waveforms of AC Series.....	12
4.2.2. I/O Switching Waveforms of ACT Series.....	13
4.3. Standardized Measuring Procedure for Power Dissipation Capacitance.....	14
5. Other Electrical Characteristics.....	16
5.1. Power Dissipation.....	16
5.2. Output Current Characteristics.....	17
5.3. AC Electrical Characteristics.....	18
5.3.1. Load Capacitance Dependence.....	18
6. Glossary of CMOS Logic IC Terms.....	19
6.1. Absolute Maximum Ratings.....	19
6.2. Operating Ranges.....	20
6.3. Electrical Characteristics.....	21
6.4. Built-in Function.....	28
7 Related LINK.....	29
RESTRICTIONS ON PRODUCT USE.....	30

List of Figures

Figure 1.1	Supply Voltage Range and Propagation Delay Time of Each Series.....	4
Figure 1.2	Input Equivalent Circuit for Each Series	5
Figure 1.3	Output Equivalent Circuit for Each Series	5
Figure 2.1	Part Naming Conventions	6
Figure 4.1	Measuring Circuit of Output.....	11
Figure 4.2	I/O Switching Waveforms of AC Series	12
Figure 4.3	I/O Switching Waveforms of ACT Series.....	13
Figure 5.1	Standard Output Current Characteristics	17
Figure 5.2	Dependence of Load Capacitance on t_{pLH} and t_{pHL} (Typical Characteristics)	18

List of Tables

Table 1.1	Voltage Applicable to I/O Terminals.....	5
Table 2.1	Series Definition	6
Table 3.1	Absolute Maximum Ratings	7
Table 3.2	Operating Ranges (AC Series)	8
Table 3.3	Operating Ranges (ACT Series).....	8
Table 3.4	Characteristics (AC Series).....	9
Table 3.5	Characteristics (ACT Series).....	10
Table 4.1	Definition of Symbols Used in Truth Tables.....	11
Table 4.2	C_{PD} Measuring Condition	15

1. General

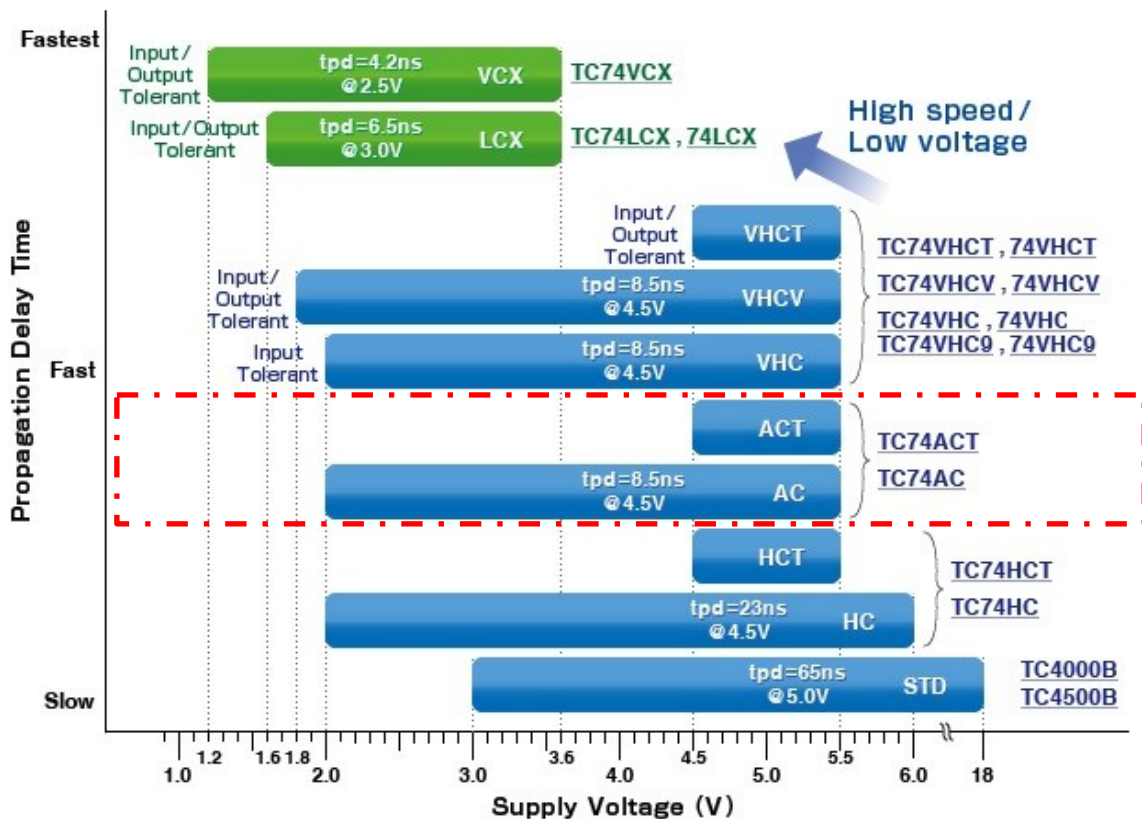
1.1. General

This document describes the AC series of C²MOS™ Logic ICs.

The AC series is indicated by the red frame in Figure 1.1.

This series realizes high-speed switching by silicon gate and double-layer metal wiring CMOS technology. Also, since the AC series has a high output current (24 mA), it is suitable for transmission line drivers.

The package lineup is wide, from DIP package to ultra-compact US package.



1.2. Features

1.2.1. High Speed

Propagation Delay Time t_{pLH}/t_{pHL} of Gate function: 3.5 ns (@ $V_{CC} = 5$ V, typ.)

Maximum Clock Frequency of Flip-Flop: 150 MHz (@ $V_{CC} = 5$ V, typ.)

1.2.2. Interface Capability

The AC/ACT series adopts an input protection circuit with diode from input terminal to power supply side. Therefore, please use this series within the supply voltage.

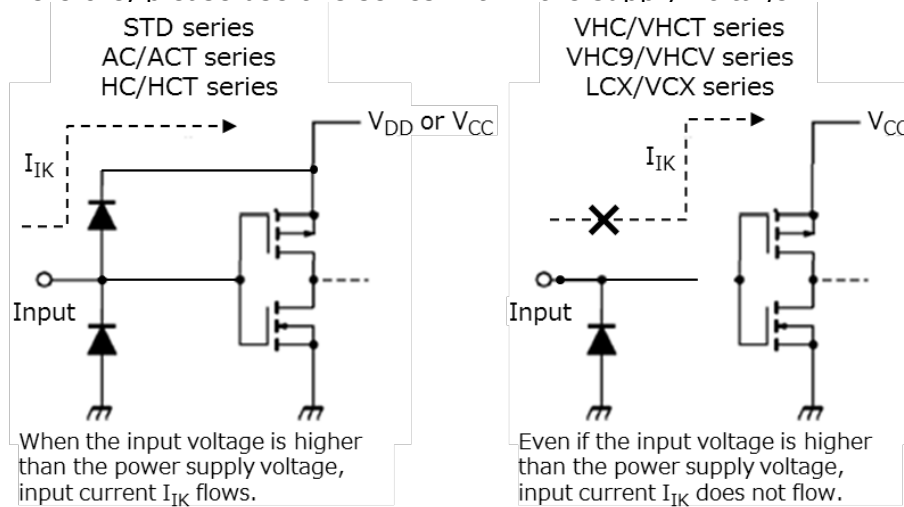


Figure 1.2 Input Equivalent Circuit for Each Series

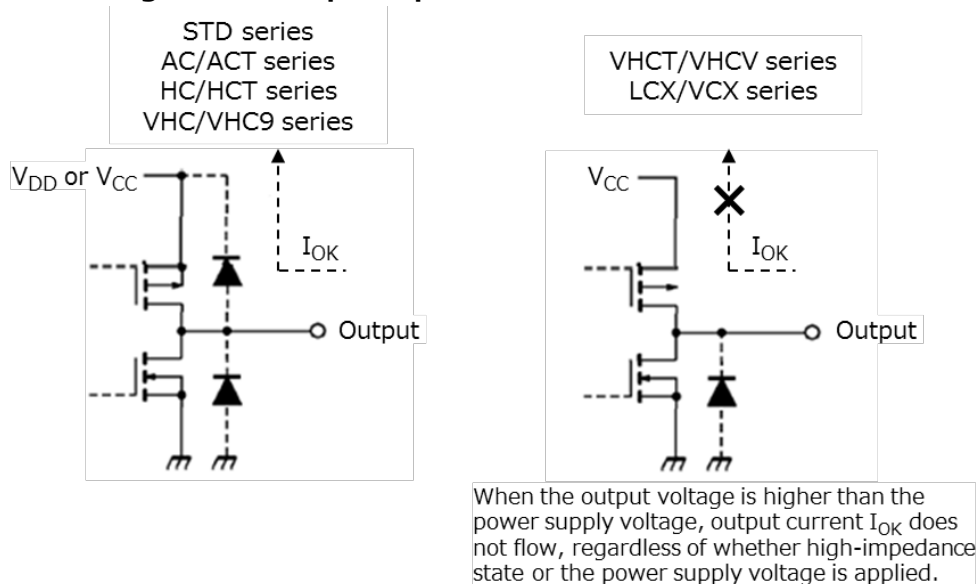


Figure 1.3 Output Equivalent Circuit for Each Series

Table 1.1 Voltage Applicable to I/O Terminals

	AC/ACT
Input Voltage Range (Operation) (Power Down)	0 to V _{CC} 0 (Note 1)
Output Voltage Range (Output Enable) (Output Disable) (Power Down)	0 to V _{CC} 0 to V _{CC} 0 (Note 1)

Note 1: Voltage cannot be applied

1.2.3. Standard Output Current

±24 mA (Able to drive 50 Ω transmission line)

2. Method of Designating CMOS Logic ICs

2.1. Part Naming Conventions

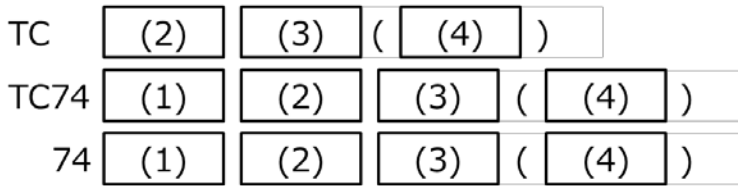


Figure 2.1 Part Naming Conventions

(1) Series, (2) Function, (3) Package, (4) Packing Method

(Example) TC74VCX08FT(EL)

(1) VCX Series, (2) 08 Function, (3) Plastic TSSOP Package, (4) Embossed tape and reel

(1) Series Definition

Table 2.1 shows each series and the input level.

Table 2.1 Series Definition

Series	Definition
Blank	STD series
HC	CMOS level input of HC series
HCT	TTL level input of HC series
AC	CMOS level input of AC series
ACT	TTL level input of AC series
VHC	CMOS level input of VHC series
VHCT	TTL level input of VHC series
VHC9	Schmitt circuit-type input of VHC series
VHCV	Schmitt circuit-type input of VHC series Capable of handling twice as much output current as other products in VHC series.
LCX	TTL level input of LCX series
VCX	TTL level input of VCX series

(2) Function

The function number is represented by 2 to 8 alphanumeric characters.

Function numbers are common for all series.

(3) Package Type

Package classification is common for all series.

P...	Dual in-line package (DIP)	14/16/20 pin
F...	200-mil small-outline package (SOP)	14/16/20 pin
D...	150-mil small-outline package (SOIC)	14/16/20 pin
FT...	Thin shrink small-outline package (TSSOP)	14/16/20/48 pin
FK...	300-mil small-outline package (US)	14/16/20 pin

(4) Packing Method

Please refer to the Toshiba web page. (URL: <https://toshiba.semicon-storage.com/ap-en/top.html>)

3. Explanation of Ratings and Standards

The tables below show common ratings and electrical characteristics for the AC/ACT series. When the ratings and electrical characteristics are different from these of individual data sheets, the latter take precedence.

For the meanings of the parameters, please refer to the glossary at end of this document.

3.1. Absolute Maximum Ratings

In general, absolute maximum rating values should not be exceeded, in order to guarantee the life and reliability of integrated circuit products.

Absolute maximum ratings should not be exceeded, even for a moment.

When a device is used in excess of any absolute maximum rating, it may not recover and, in many cases, permanent damage will occur.

Table 3.1 shows the common absolute maximum ratings for the AC/ACT series.

Table 3.1 Absolute Maximum Ratings

Characteristics	Symbol	Rating	Unit
Supply voltage range	VCC	-0.5 to 7.0	V
DC input voltage	VIN	-0.5 to VCC+0.5	V
DC output voltage	VOUT	-0.5 to VCC+0.5	V
Input diode current	I _{IK}	±20	mA
Output diode current	I _{OK}	±50	mA
DC output current	I _{OUT}	±50	mA
DC V _{CC} /ground current	I _{CC}	±100 (Note 1)	mA
Power dissipation	PD	500 (DIP) (Note 2) 180 (Other)	mW
Storage temperature	T _{stg}	-65 to 150	°C

Note 1: For device with more than four outputs, the maximum rating equals the number of outputs multiplied by 25.

Note 2: 500 mW in the range of T_a = -40 to 65°C. From T_a = 65 to 85°C a derating factor of -10 mW/°C shall be applied until 300 mW.

3.2. Operating Ranges

These are the conditions under which the operation of the AC series devices is guaranteed. When any of these values is exceeded, operation is not guaranteed, even if the value is still within the absolute maximum rating in Table 3.1.

Unused input terminals must be connected to either V_{CC} or GND.

Tables 3.2 and 3.3 show the common operating ranges for the AC/ACT series.

3.2.1. AC Series

Table 3.2 Operating Ranges (AC Series)

Characteristics	Symbol	Rating	Unit
Supply voltage	V_{CC}	2 to 5.5	V
Input voltage	V_{IN}	0 to V_{CC}	V
Output voltage	V_{OUT}	0 to V_{CC}	V
Operating temperature	T_{opr}	-40 to 85	°C
Input rise and fall time	dt/dV	0 to 100 (Note 1) 0 to 20 (Note 2)	ns/V

Note 1: $V_{CC} = 3.3 \pm 0.3$ V

Note 2: $V_{CC} = 5 \pm 0.5$ V

3.2.2. ACT Series

Table 3.3 Operating Ranges (ACT Series)

Characteristics	Symbol	Rating	Unit
Supply voltage	V_{CC}	4.5 to 5.5	V
Input voltage	V_{IN}	0 to V_{CC}	V
Output voltage	V_{OUT}	0 to V_{CC}	V
Operating temperature	T_{opr}	-40 to 85	°C
Input rise and fall time	dt/dv	0 to 10 (Note 1)	ns/V

Note 1: $V_{CC} = 5 \pm 0.5$ V

3.3. DC Characteristics

Tables 3.4 and 3.5 show DC characteristics for the AC/ACT series.

3.3.1. AC Series

Table 3.4 Characteristics (AC Series)

Characteristics	Symbol	Test Condition		Ta = 25°C			Ta = -40 to 85°C		Unit	
				VCC (V)	Min	Typ.	Max	Min		Max
High-level input voltage	VIH	-		2.0	1.50	-	-	1.50	-	V
				3.0	2.10	-	-	2.10	-	
				5.5	3.85	-	-	3.85	-	
Low-level input voltage	VIL	-		2.0	-	-	0.50	-	0.50	V
				3.0	-	-	0.90	-	0.90	
				5.5	-	-	1.65	-	1.65	
High-level output voltage	VOH	VIN = VIH or VIL	IOH = -50 μA	2.0	1.9	2.0	-	1.9	-	V
				3.0	2.9	3.0	-	2.9	-	
			IOH = -4 mA IOH = -24 mA IOH = -75 mA (Note 1)	3.0	2.58	-	-	2.48	-	
				4.5	3.94	-	-	3.80	-	
Low-level output voltage	VOL	VIN = VIH or VIL	IOL = 50 μA	2.0	-	0.0	0.1	-	0.1	V
				3.0	-	0.0	0.1	-	0.1	
				4.5	-	0.0	0.1	-	0.1	
			IOH = 12 mA IOH = 24 mA IOH = 75 mA (Note 1)	3.0	-	-	0.36	-	0.44	
				4.5	-	-	0.36	-	0.44	
				5.5	-	-	-	-	1.65	
3-state output off-state current	IOZ	VIN = VIH or VIL VOUT = VCC or GND		5.5	-	-	±0.5	-	±5.0	μA
Input leakage current	IIN	VIN = VCC or GND		5.5	-	-	±0.1	-	±1.0	μA
Quiescent supply current	ICC	VIN = VCC or GND		5.5	-	-	8.0	-	80.0	μA

Note 1: This spec indicates the capability of driving 50 Ω transmission lines.

One output should be tested at a time for a 10 ms maximum duration.

3.3.2. ACT Series

Table 3.5 Characteristics (ACT Series)

Characteristics	Symbol	Test Condition		Ta = 25°C			Ta = -40~85°C		Unit	
				VCC (V)	Min	Typ.	Max	Min		Max
High-level input voltage	V _{IH}	-		4.5~5.5	2.0	-	-	2.0	-	V
Low-level input voltage	V _{IL}	-		4.5~5.5	-	-	0.8	-	0.8	
High-level output voltage	V _{OH}	V _{IN} = V _{IH} or V _{IL}	I _{OH} = -50 μA	4.5	4.4	4.5	-	4.4	-	V
			I _{OH} = -24 mA	4.5	3.94	-	-	3.80	-	
			I _{OH} = -75 mA (Note 1)	5.5	-	-	-	3.85	-	
Low-level output voltage	V _{OL}	V _{IN} = V _{IH} or V _{IL}	I _{OL} = 50 μA	4.5	-	0.0	0.1	-	0.1	V
			I _{OL} = 24 mA	4.5	-	-	0.36	-	0.44	
			I _{OL} = 75 mA (Note 1)	5.5	-	-	-	-	1.65	
3-state output off-state current	I _{OZ}	V _{IN} = V _{IH} or V _{IL} V _{OUT} = V _{CC} or GND		5.5	-	-	±0.5	-	±5.0	μA
Input leakage current	I _{IN}	V _{IN} = V _{CC} V or GND		0 to 5.5	-	-	±0.1	-	±1.0	μA
Quiescent supply current	I _{CC}	V _{IN} = V _{CC} or GND		5.5	-	-	8.0	-	80.0	μA
	I _{CC(T)}	Per input: V _{IN} = 3.4 V Other input: V _{CC} or GND		5.5	-	-	1.35	-	1.5	mA

Note 1: This spec indicates the capability of driving 50 Ω transmission lines.
One output should be tested at a time for a 10 ms maximum duration.

4. Explanation of Symbols Used in Data Sheets

4.1. How to Read a Truth Table

Table 4.1 Definition of Symbols Used in Truth Tables

SYMBOL	DEFINITION
H	High level (indicates stationary input or output)
L	Low level (indicates stationary input or output)
\uparrow	Indicates leading edge changing from L to H.
\downarrow	Indicates leading edge changing from H to L.
X	Don't care (either H or L)
Z	High-impedance state
a··h	The level of the parallel inputs A to H (either H or L).
Q0	Level of Q just before input condition indicated in truth table
Qn	Level of Q just before input active edge (\uparrow or \downarrow)
\square	One H-level pulse
\sqcup	One L-level pulse

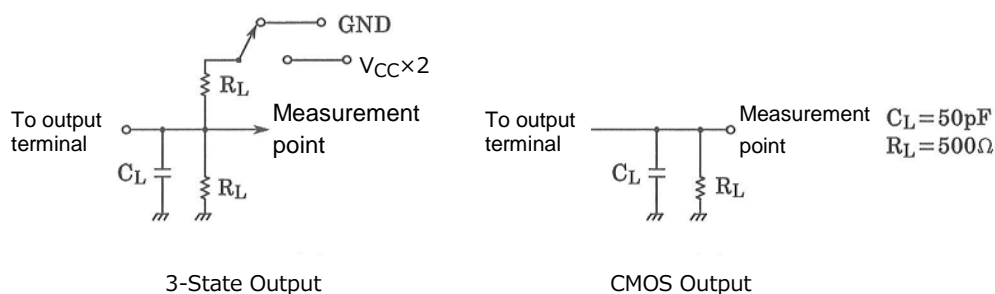
4.2. AC Characteristics

The AC characteristics of datasheets specify the transient characteristics.

Figure 4.1 shows measuring circuit. Figures 4.2 and 4.3 show I/O switching waveforms.

(Condition of input waveform: The amplitude range is between V_{CC} and GND, and rise and fall times are 3 ns.)

To ensure normal functioning of the device, the following timings must be adhered to.

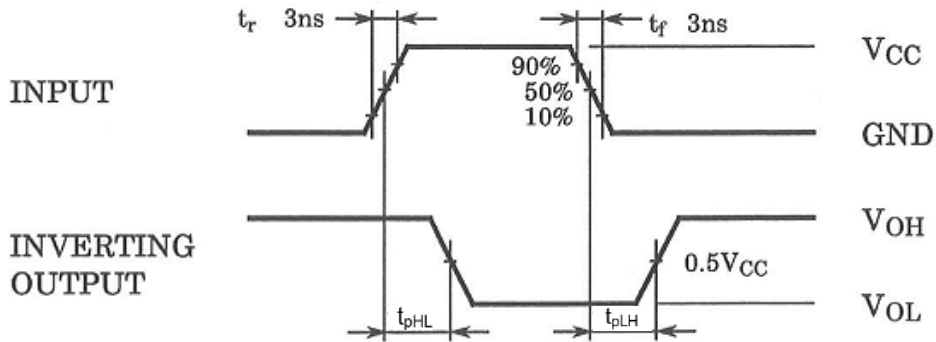


Note: C_L includes the probe capacitance.

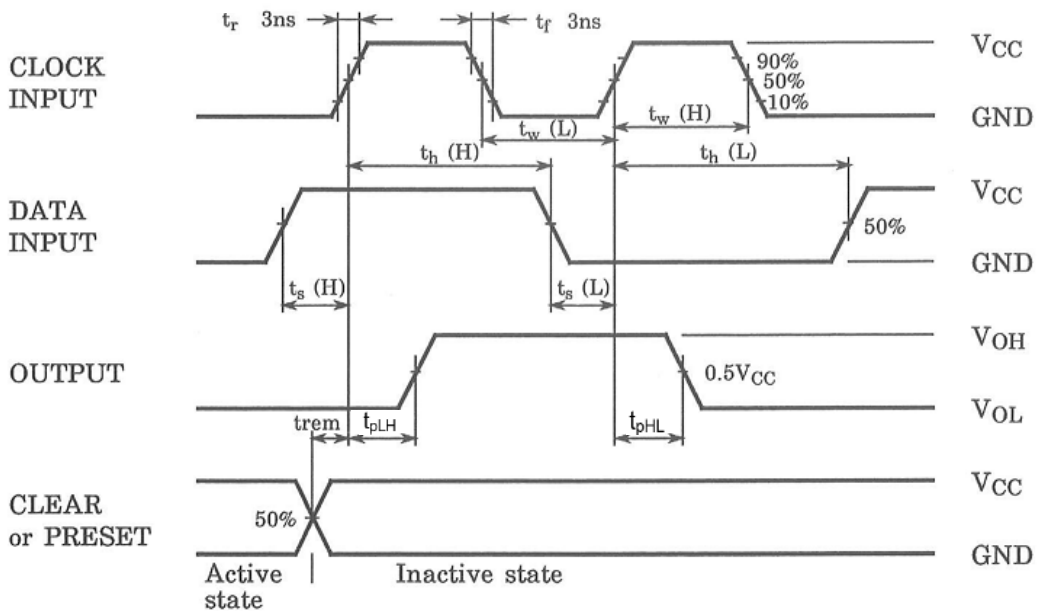
Figure 4.1 Measuring Circuit of Output

4.2.1. I/O Switching Waveforms of AC Series

1) t_{pLH}, t_{pHL}



2) t_w, t_s, t_h, t_{rem}



3) $t_{pLZ}, t_{pHZ}, t_{pZL}, t_{pZH}$

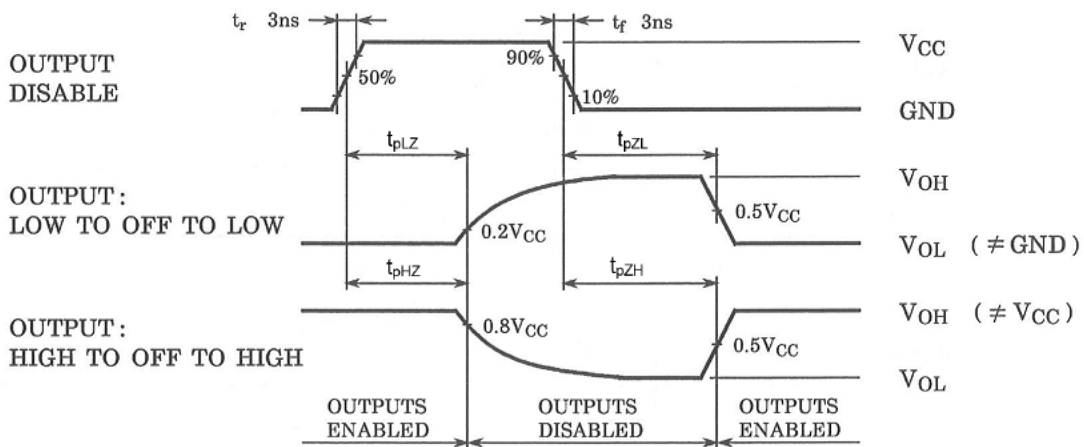
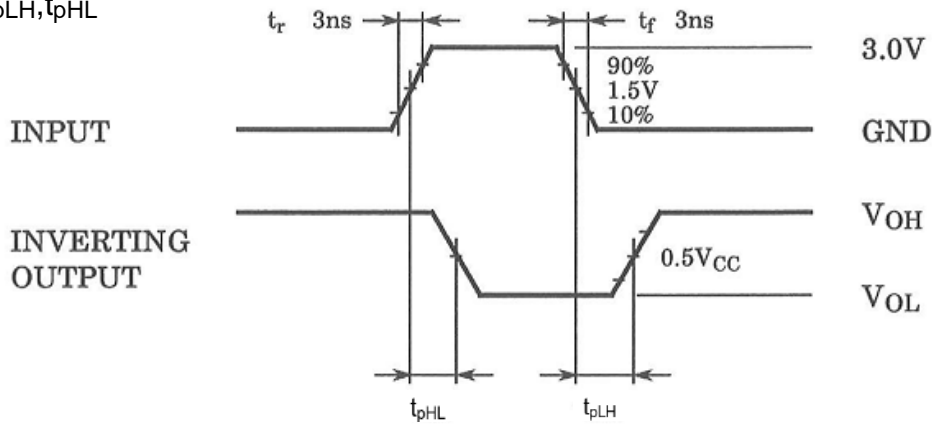


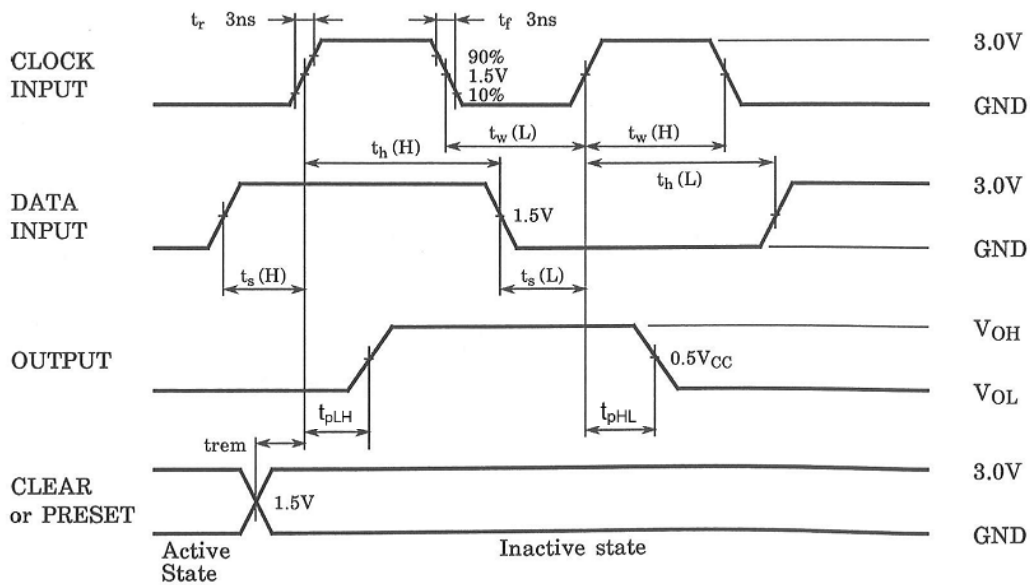
Figure 4.2 I/O Switching Waveforms of AC Series

4.2.2. I/O Switching Waveforms of ACT Series

1) t_{pLH}, t_{pHL}



2) t_w, t_s, t_h, t_{rem}



3) $t_{pLZ}, t_{pHZ}, t_{pZL}, t_{pZH}$

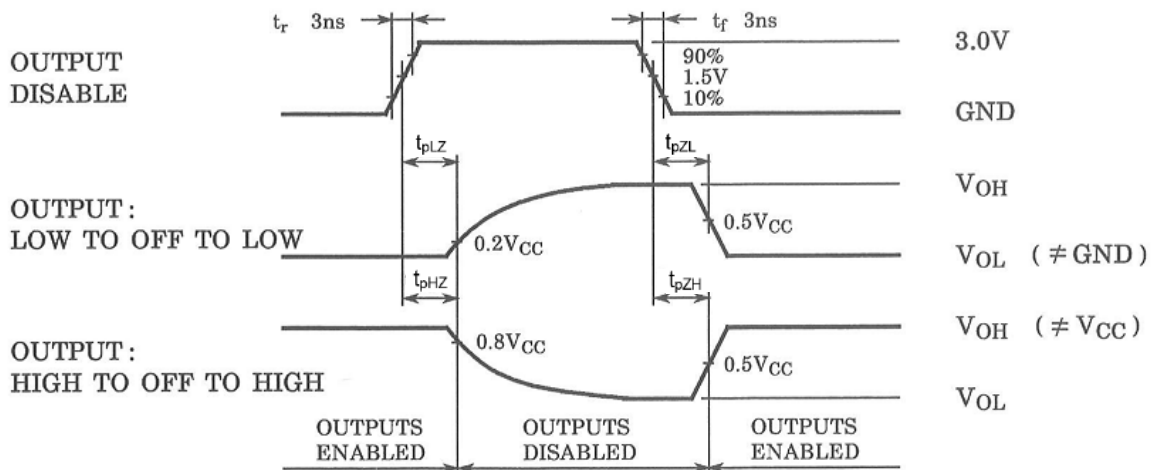


Figure 4.3 I/O Switching Waveforms of ACT Series

4.3. Standardized Measuring Procedure for Power Dissipation Capacitance

Measurements for all devices are under the conditions of " $V_{CC} = 5.0 \text{ V}$ " and " $T_a = 25 \text{ deg C}$ ". And a relatively high frequency, about 1 MHz, is used for measurement of power consumption, because if a device is tested at a high enough frequency, the contribution of the DC supply current to the overall power consumption will be negligible and can be ignored. Devices with 3-state outputs are measured in the enabled state.

In the case of devices that have several circuits in the same package (e.g., AC04: Hex inverter, AC74: Dual D-F/F etc.), only one circuit is measured and the result is shown on the datasheet as the C_{pd} per circuit.

In the case of devices that contain several circuits in the same package operating simultaneously from the same clock signal (e.g., ACT574: Octal D-F/F etc.), the C_{pd} can be obtained by measuring either the C_{pd} of the device with only one output active, or the C_{pd} with all device outputs active. The pin states for each IC are listed in the table.

C_{PD} Measuring Condition

Table 4.2 C_{PD} Measuring Condition

Type No.	Pin No.																							
	1	2	3	4	5	6	7	8	9	10	11	12	13	14	15	16	17	18	19	20	21	22	23	24
00	P	H	O	X	X	O	G	O	X	X	O	X	X	V										
02	O	P	L	O	X	X	G	X	X	O	X	X	O	V										
04	P	O	X	O	X	O	G	O	X	O	X	O	X	V										
05	P	R	X	O	X	O	G	O	X	O	X	O	X	V										
08	P	H	O	X	X	O	G	O	X	X	O	X	X	V										
14	P	O	X	O	X	O	G	O	X	O	X	O	X	V										
32	P	L	O	X	X	O	G	O	X	X	O	X	X	V										
74	H	Q	P	H	O	O	G	O	O	X	X	X	X	V										
138	P	L	L	L	L	H	O	G	O	O	O	O	O	O	V									
161	H	P	X	X	X	X	H	G	H	H	O	O	O	O	V									
163	H	P	X	X	X	X	H	G	H	H	O	O	O	O	V									
164	Q	H	O	O	O	O	G	P	H	O	O	O	O	V										
166	Q	X	X	X	X	L	P	G	H	X	X	X	O	X	H	V								
240	L	P	O	X	O	X	O	X	O	G	X	O	X	O	X	O	X	O	X	V				
244	L	P	O	X	O	X	O	X	O	G	X	O	X	O	X	O	X	O	X	V				
245	H	P	X	X	X	X	X	X	X	G	O	O	O	O	O	O	O	O	L	V				
273 1*	H	O	Q	X	O	O	X	X	O	G	P	O	X	X	O	O	X	X	O	V				
273 8*	H	O	Q	Q	O	O	Q	Q	O	G	P	O	Q	Q	O	O	Q	Q	O	V				
540 1*	L	P	X	X	X	X	X	X	X	G	O	O	O	O	O	O	O	O	L	V				
540 8*	L	P	P	P	P	P	P	P	P	G	O	O	O	O	O	O	O	O	L	V				
541 1*	L	P	X	X	X	X	X	X	X	G	O	O	O	O	O	O	O	O	L	V				
541 8*	L	P	P	P	P	P	P	P	P	G	O	O	O	O	O	O	O	O	L	V				
573 1*	L	Q	X	X	X	X	X	X	X	G	P	O	O	O	O	O	O	O	O	V				
573 8*	L	Q	Q	Q	Q	Q	Q	Q	Q	G	P	O	O	O	O	O	O	O	O	V				
574 1*	L	Q	X	X	X	X	X	X	X	G	P	O	O	O	O	O	O	O	O	V				
574 8*	L	Q	Q	Q	Q	Q	Q	Q	Q	G	P	O	O	O	O	O	O	O	O	V				
640	H	P	X	X	X	X	X	X	X	G	O	O	O	O	O	O	O	O	L	V				

*: Number of active outputs

-Explanation of symbols-

V=V_{CC} (+5.0 V)

G=GND (0 V)

H=Logic 1 (V_{CC})

L=Logic 0 (GND)

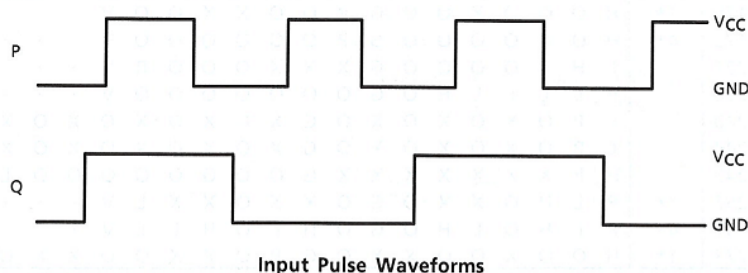
X=Don't care. V_{CC} or GND (but not switching)

R=1.0 kΩ pull-up resistor connected between the IC and a 5-V power supply other than V_{CC}.

O=Open

P=50% duty cycle input pulse (shown below)

Q=50% duty cycle half-frequency out-of-phase input pulse (shown below)



5. Other Electrical Characteristics

5.1. Power Dissipation

The power dissipation is given by the sum of the quiescent supply current and the dynamic operating current. Therefore, it can be obtained from the following equation:

$$P_D = C_{PD} \cdot f_{IN} \cdot V_{CC}^2 + C_L \cdot f_{OUT} \cdot V_{CC}^2 + I_{CC} \cdot V_{CC}$$

C_{PD} : Power Dissipation Capacitance

C_L : Load Capacitance

f_{IN} : Input Frequency

f_{OUT} : Output Frequency

In the case of CMOS ICs, if inputs are held at V_{CC} or GND, either the N-ch MOS or the P-ch MOS turns off. As a result, the quiescent supply current from V_{CC} to GND is just a few nA at room temperature.

Therefore, the quiescent supply current increases in direct proportion to the power supply voltage and increases exponentially with the temperature.

The dynamic power dissipation of CMOS ICs is calculated by summing the switching currents and the through currents. The switching currents are due to the charging and discharging of each gate capacitance, when the gate in the circuit that includes the output buffer inverts, and the through currents flow from V_{CC} to GND when the P-ch MOS and the N-ch MOS that constitute the gate turn on briefly at the same time during inversion time.

When the rise and fall times of the input signal are small (a few ns), the through current in the gate is negligible compared with the switching current. Thus the dynamic supply current is determined by the internal capacitance of the IC and the charging and discharging currents of the load capacitance (C_L).

However, in specific applications such as crystal oscillators, supply current characteristics depend on the through current, and the result calculated using C_{PD} cannot be used.

5.2. Output Current Characteristics

Regarding the output current characteristics of the AC series, the following is guaranteed over the entire operating temperature range: $V_{CC}-V_{OH} \leq 0.70\text{ V}$, $V_{OL} \leq 0.44\text{ V}$.

Figure 5.1 shows the supply voltage versus output current characteristics for a typical device at 25 deg C.

Note: The variation in output current at low supply voltages is large compared with that at 4.5 V.

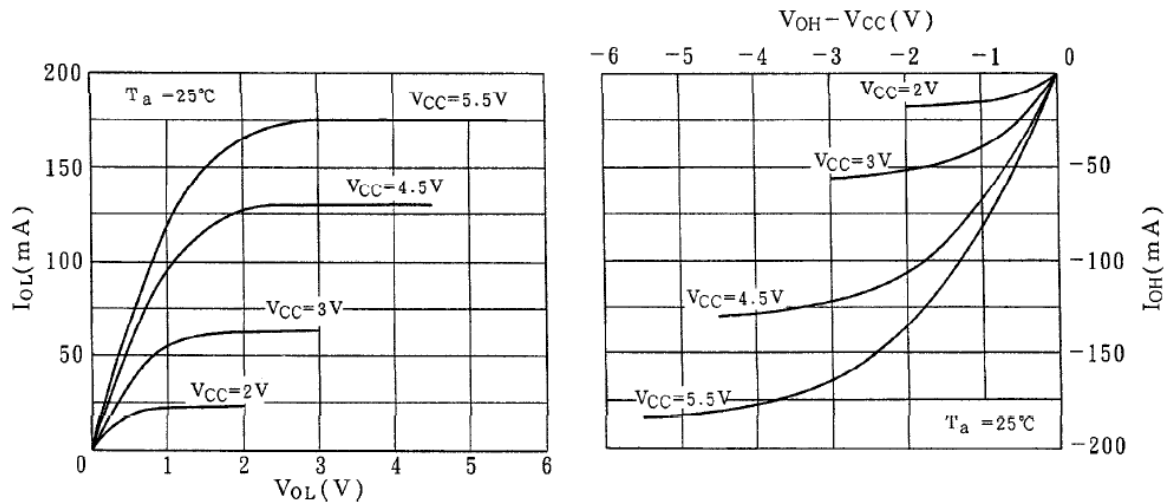


Figure 5.1 Standard Output Current Characteristics

5.3. AC Electrical Characteristics

5.3.1. Load Capacitance Dependence

Figure 5.2 shows the dependence of load capacitance on propagation delay time at supply voltage of 3.0 V and 4.5 V.

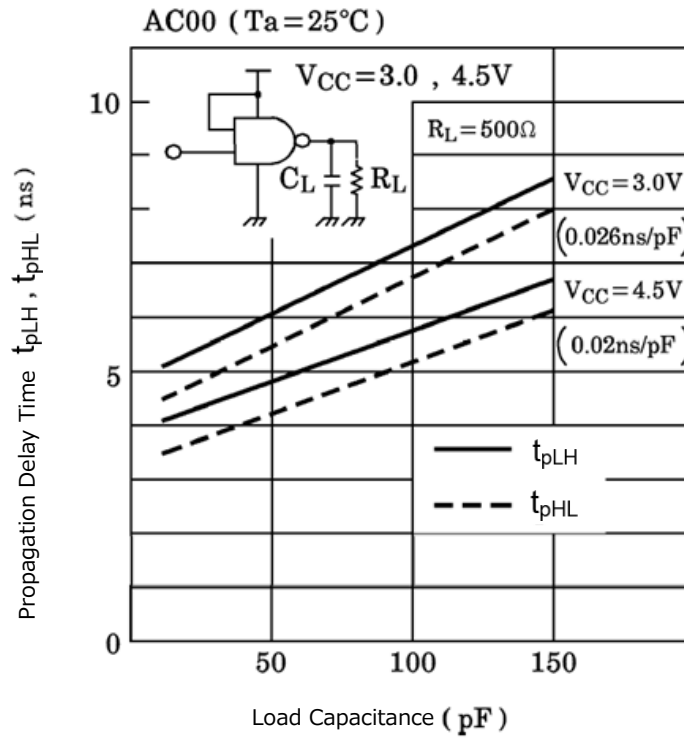


Figure 5.2 Dependence of Load Capacitance on t_{pLH} and t_{pHL} (Typical Characteristics)

6. Glossary of CMOS Logic IC Terms

6.1. Absolute Maximum Ratings

Parameter	Symbol	Definition
Supply voltage	$V_{DD} - V_{SS}$ V_{CC}	The rated voltage of the power supply terminal at which an IC will not suffer breakdown, deterioration of characteristics, or reduced reliability.
Supply voltage	$V_{DD} - V_{EE}$ $V_{CC} - V_{EE}$	The rated voltage across the V_{CC} , V_{DD} and V_{EE} terminals at which an IC will not suffer breakdown, deterioration of characteristics, or reduced reliability.
Input voltage	V_{IN}	The rated voltage of the input terminal at which an IC will not suffer breakdown, deterioration of characteristics, or reduced reliability.
Output voltage	V_{OUT}	The rated voltage of the output terminal at which an IC will not suffer breakdown, deterioration of characteristics, or reduced reliability.
Switch I/O voltage	$V_{I/O}$	The rated voltage across the input and output terminals at which an IC will not suffer breakdown, deterioration of characteristics, or reduced reliability.
Input diode current	I_{IK}	The rated current of the input terminal at which an IC will not suffer breakdown due to latch-up.
Output diode current	I_{OK}	The rated current of the output terminal at which an IC will not suffer breakdown due to latch-up.
Output current	I_{OUT}	The rated current that can flow through one output terminal.
Switch through current	I_T	The rated current between the input and output terminals of a switch at which an IC will not suffer breakdown, deterioration of characteristics, or reduced reliability.
V_{CC} /ground current	I_{CC} I_{CC} / I_{GND}	The rated current between the power supply and ground terminals at which an IC will not suffer breakdown, deterioration of characteristics, or reduced reliability. As V_{CC} / ground current includes output current, substantial V_{CC} / ground current can flow in an IC having multiple output terminals.
Power dissipation	P_D	Power consumption that does not cause IC breakdown over the entire operating temperature range.
Storage temperature	T_{stg}	The ambient temperature range over which no deterioration of characteristics or reliability occurs when an IC is stored for a long period of time or is transported with no supply voltage present.

6.2. Operating Ranges

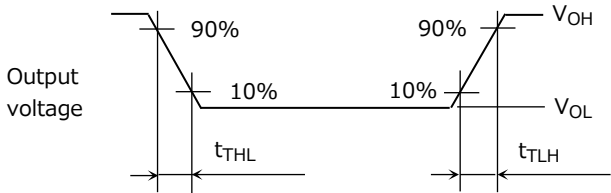
Parameter	Symbol	Definition
Supply voltage	V_{DD} V_{CC} V_{EE} $V_{DD} - V_{EE}$ $V_{CC} - V_{EE}$	The supply voltage range over which the normal operation of an IC is guaranteed.
Input voltage	V_{IN}	The input voltage range over which the normal operation and electrical characteristics of an IC are guaranteed.
Output voltage	V_{OUT}	The output voltage range over which the normal operation and electrical characteristics of an IC are guaranteed.
Switch I/O voltage	V_S $V_{I/O}$	The switch I/O voltage range over which the normal operation and electrical characteristics of an IC are guaranteed.
Output current	I_{OUT} I_{OH}, I_{OL} I_{OL}	The maximum output current at which the normal operation and electrical characteristics of an IC are guaranteed.
Input rise and fall times	t_r, t_f dt/dv	The ranges of rise and fall times of an input signal that will not cause malfunction due to oscillation of the output.
External capacitor	C_X	The external capacitance range over which the normal operation and electrical characteristics of a multivibrator IC are guaranteed.
External resistor	R_X	The external resistance range over which the normal operation and electrical characteristics of a multivibrator IC are guaranteed.
Operating temperature	T_{opr}	The operating temperature range over which the normal operation and electrical characteristics of an IC are guaranteed.

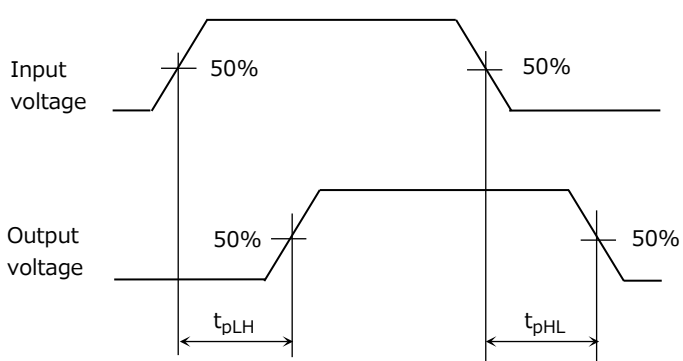
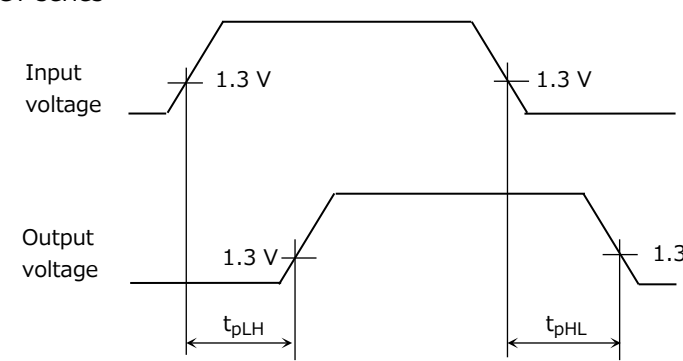
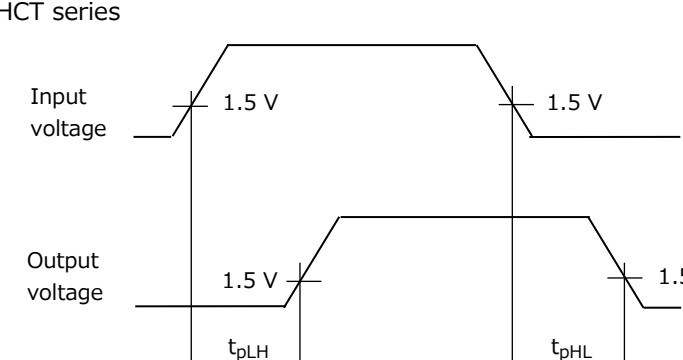
6.3. Electrical Characteristics

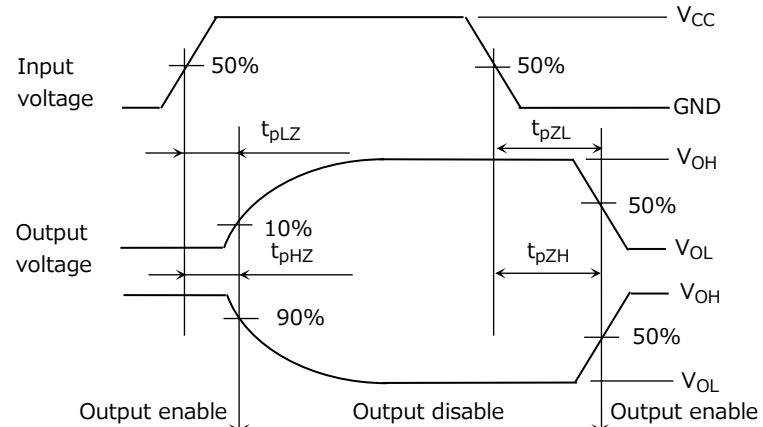
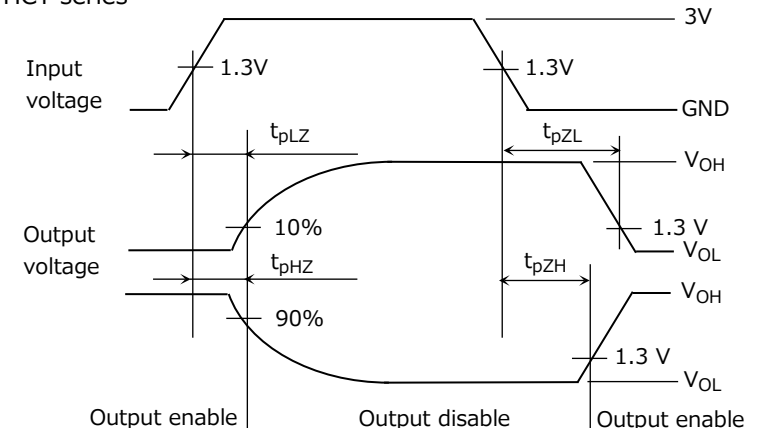
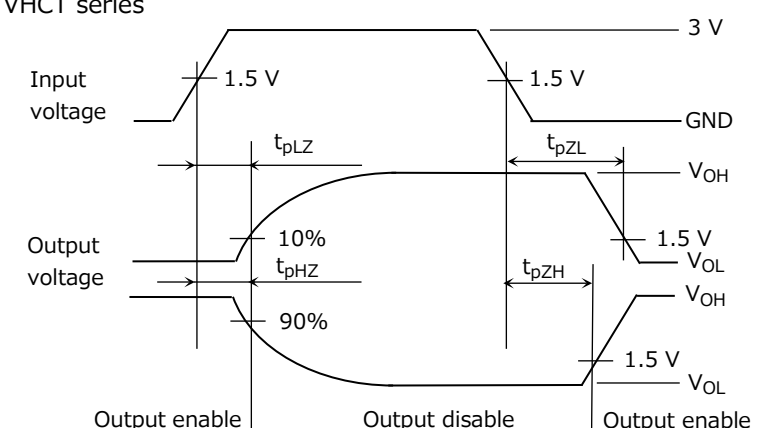
* 電気的特性は測定条件下において規定されます。

Parameter	Symbol	Definition
High-level input voltage	V_{IH}	The input voltage at which input of an IC is driven to the High level.
Low-level input voltage	V_{IL}	The input voltage at which the input of an IC is driven to the Low level.
Positive threshold voltage	V_P	The input threshold voltage at which a Schmitt-trigger input is driven to the High level.
Negative threshold voltage	V_N	The input threshold voltage at which a Schmitt-trigger input is driven to the Low level.
Hysteresis voltage	V_H	The difference between the positive and negative threshold voltages of a Schmitt-trigger input.
High-level output voltage	V_{OH}	The voltage that appears at the output when either V_{IH} or V_{IL} is applied to each input terminal such that the output is set to the High level.
Low-level output voltage	V_{OL}	The voltage that appears at the output when either V_{IH} or V_{IL} is applied to each input terminal such that the output is set to the Low level.
Power-off leakage current	I_{OFF}	The leakage current that flows into an IC via input and output terminals when the power supply is off.
Input leakage current	I_{IN}	The leakage current that flows through the input terminal when a voltage is present at the input terminal of an IC.
Output off-state leakage current	I_{OZ}	The leakage current of an IC with an open-drain output that flows through the output terminal when it is in the high-impedance state.
Output leakage current (Power-off)	I_{OPD}	The leakage current that flows into an IC via the output terminals when V_{CC} is in the off state ($V_{CC} = 0\text{ V}$)
3-state output off-state leakage current	I_{OZ}	The leakage current of an IC with an open-drain or three-state output that flows through the output terminal when it is in the high-impedance state.

Parameter	Symbol	Definition
Input/output leakage current (Switch off)	I_{OFF}	The leakage current that flows through an IC from the input terminals to the output terminal when the power supply is off.
Input/output leakage current (Switch on)	$I_{I/O}$	The leakage current that flows from the input terminal to the output terminal in the switch-on and open-output states.
Control input leakage current	I_{IN}	The leakage current that flows through the control input terminal of an IC when a voltage is applied to the terminal.
RX/CX terminal off-state current	I_{IN}	The current that flows through the RX/CX terminal of a multivibrator IC when a voltage is applied to the terminal.
T2 terminal input leakage current	I_{IN}	The current that flows through the T2 terminal of a multivibrator IC when a voltage is applied to the terminal.
Quiescent supply current	I_{CC}	The current that flows into an IC via the V_{CC} terminal when the V_{CC} or ground level is held constant without changing the input voltage.
	ΔI_{CC}	The current that flows into an IC via the V_{CC} terminal when $V_{CC} - 0.6$ V is applied to one input terminal.
	I_{CCT}	The current that flows into an IC with TTL-level input via the V_{CC} terminal when a TTL-level voltage is applied to one input terminal.
Active-state supply current (per circuit)	$I_{CC(opr)}$	The average current that flows in the no-load condition between the power supply and ground terminals due to an internal circuit operation.
On-resistance	R_{ON}	The resistance between the input and the output of an analog switch, multiplexer or demultiplexer IC in the switch-on state.
Difference of on-resistance between switches	ΔR_{ON}	The difference in on-resistance between different input-output pairs of an analog switch, multiplexer or demultiplexer IC.

Parameter	Symbol	Definition
Minimum pulse width	$t_{w(H)}$ $t_{w(L)}$	The minimum pulse width that is accepted at a clock input, etc. as a normal pulse.
Minimum setup time	t_s	The time interval during which data must be stable before the associated input (e.g., clock) changes. For example, when data is latched on the rising edge of a clock pulse, it is necessary to apply data at least t_s before the rising edge of the clock.
Minimum hold time	t_h	The time interval during which data must be stable after the active transition of the associated input (e.g., clock).
Minimum removal time	t_{rem}	The minimum time between the release of an asynchronous input (e.g., Clear, Preset) and the application of the next input (e.g., clock).
Minimum retrigger time	t_{rr}	The minimum time necessary for a multivibrator IC to accept the next trigger signal after having received one.
Output transition time	t_{TLH} t_{THL}	<p>The rise and fall times of the output voltage. t_{TLH} is the time from 10% to 90% when the output transitions from Low to High, and t_{THL} is the time from 90% to 10% when the output transitions from High to Low.</p> 

Parameter	Symbol	Definition
Propagation delay time	t_{pLH} t_{pHL}	<p>The delay time between the application of an input signal and an output response. t_{pLH} is defined as the time required for an output to transition from Low to High, and t_{pHL} is defined as the time required for an output to transition from High to Low.</p> <p>HC/VHC series</p>  <p>HCT series</p>  <p>VHCT series</p> 

Parameter	Symbol	Definition
Output enable time Output disable time	t_{pLZ} t_{pHZ} t_{pZL} t_{pZH}	<p>The output enable time is defined as the delay time required for a three-state terminal to be driven High or Low after the output control terminal is set to an inactive level. The output disable time is defined as the delay time required for an output terminal to assume the high-impedance state after the output control signal is set to an active level.</p> <p>HC/VHC series</p>  <p>HCT series</p>  <p>VHCT series</p> 

Parameter	Symbol	Definition
Propagation delay time	Δt_{PD}	For counter ICs, the delay time defined for an IC from when the Qn output is inverted to when the next output (Qn+1) is inverted.
Output pulse width	t_{wOUT}	For multivibrator ICs, the width of the output pulse generated when a prescribed external component is connected and a prescribed voltage is applied.
Output pulse width error between circuits (in the same package)	Δt_{wOUT}	For multivibrator ICs, a difference in output pulse width between two circuits in the same package.
Output skew	t_{osLH} t_{osHL} t_{osZL}	Differences in propagation delay time among output terminals when some outputs in the same package change from the Low level to the High level, from the High level to the Low level, or from the high-impedance state to the Low level.
Phase difference between input and output	$\phi_{I/O}$	For analog switch, multiplexer and demultiplexer ICs, the delay time from the input to the output when a signal is applied to the input in the switch-on state.
Clock frequency	f	The clock frequency at which an IC operates.
Maximum clock frequency	f_{MAX}	The maximum clock frequency at which the IC operates normally.
Maximum frequency response Phase difference between input and output	$f_{MAX(I/O)}$ f_{MAX}	For analog switch, multiplexer and demultiplexer ICs, the maximum input frequency that the signal can transmit to the output in the switch-on state.
Input capacitance	C_{IN}	The capacitance between the input and ground terminals.
Control input capacitance	C_{IN}	For analog switch, multiplexer and demultiplexer ICs, the capacitance between the control input and ground terminals.
Common terminal capacitance	C_{IS}	For analog switch, multiplexer and demultiplexer ICs, the capacitance between the common and ground terminals in the off state.
Switch terminal capacitance	C_{OS}	For analog switch, multiplexer and demultiplexer ICs, the capacitance between the switch and ground terminals in the off state.

Parameter	Symbol	Definition
Feedthrough capacitance	C_{IOS}	For analog switch, multiplexer and demultiplexer ICs, the capacitance between the switch and common terminals in the off state.
Bus I/O capacitance	$C_{I/O}$	The capacitance between the bus and ground terminals.
Power dissipation capacitance	C_{PD}	The equivalent internal capacitance of a device calculated by measuring the operating current in the no-load condition.
Output capacitance	C_{OUT}	The capacitance between the output and ground terminals for a three-state or open-drain output in the high-impedance state.
Sine Wave Distortion	THD	For analog switch, multiplexer and demultiplexer ICs, the distortion rate of the sine wave that is output when a sine wave is input in the on state.
Feed-through attenuation (switch off)	FTH	For analog switch, multiplexer and demultiplexer ICs, the ratio of the leakage voltage that appears at the output to the input voltage applied in the off state
Crosstalk (control input to signal output)	X_{talk}	For analog switch, multiplexer and demultiplexer ICs, the leakage voltage of a signal to the input and output that occurs when the control input changes.
Crosstalk (between any switches)	X_{talk}	For analog switch, multiplexer and demultiplexer ICs, the ratio of the voltage applied to a switch (port) in the on state to the voltage that appears at a switch (port) in the off state
Quiet output maximum dynamic V_{OL}	V_{OLP}	The maximum peak voltage induced into an output that is fixed at the Low level when the other outputs are switching simultaneously.
Quiet output minimum dynamic V_{OL}	V_{OLV} $ V_{OLV} $	The minimum peak voltage induced into an output that is fixed at the Low level when the other outputs are switching simultaneously.
Quiet output minimum dynamic V_{OH}	V_{OHV}	The minimum peak voltage induced into an output that is fixed at the High level when the other outputs are switching simultaneously.
Minimum high-level dynamic input voltage	V_{IHD}	High-level dynamic threshold voltage when all inputs are switching simultaneously
Maximum low-level dynamic input voltage	V_{ILD}	Low-level dynamic threshold voltage when all inputs are switching simultaneously.

6.4. Built-in Function

Parameter	Definition
Input tolerant function	A function designed to prevent a current from flowing from an input to the power supply when the input voltage is higher than the power supply voltage or when $V_{CC} = 0\text{ V}$.
Output tolerant function	A function designed to prevent a current from flowing from an output to the power supply when the output is in the high-impedance state or when $V_{CC} = 0\text{ V}$.
Power-down protection	A function designed to prevent a current from flowing to the power supply terminal even if a voltage is applied to the input and output terminals when $V_{CC} = 0\text{ V}$.
Bus-hold function	A function designed to hold the input logic level using a latch circuit even when the input terminal becomes open.

7 Related LINK

■ Product Line Ups (Catlog)

[Click](#)

■ Product Line Ups (Parametric Search)

[Click](#)

■ Stock Check & Purchase



■ FAQ of Logic ICs

[Click](#)

■ Application Note

[Click](#)

RESTRICTIONS ON PRODUCT USE

Toshiba Corporation and its subsidiaries and affiliates are collectively referred to as "TOSHIBA". Hardware, software and systems described in this document are collectively referred to as "Product".

- TOSHIBA reserves the right to make changes to the information in this document and related Product without notice.
- This document and any information herein may not be reproduced without prior written permission from TOSHIBA. Even with TOSHIBA's written permission, reproduction is permissible only if reproduction is without alteration/omission.
- Though TOSHIBA works continually to improve Product's quality and reliability, Product can malfunction or fail. Customers are responsible for complying with safety standards and for providing adequate designs and safeguards for their hardware, software and systems which minimize risk and avoid situations in which a malfunction or failure of Product could cause loss of human life, bodily injury or damage to property, including data loss or corruption. Before customers use the Product, create designs including the Product, or incorporate the Product into their own applications, customers must also refer to and comply with (a) the latest versions of all relevant TOSHIBA information, including without limitation, this document, the specifications, the data sheets and application notes for Product and the precautions and conditions set forth in the "TOSHIBA Semiconductor Reliability Handbook" and (b) the instructions for the application with which the Product will be used with or for. Customers are solely responsible for all aspects of their own product design or applications, including but not limited to (a) determining the appropriateness of the use of this Product in such design or applications; (b) evaluating and determining the applicability of any information contained in this document, or in charts, diagrams, programs, algorithms, sample application circuits, or any other referenced documents; and (c) validating all operating parameters for such designs and applications. **TOSHIBA ASSUMES NO LIABILITY FOR CUSTOMERS' PRODUCT DESIGN OR APPLICATIONS.**
- **PRODUCT IS NEITHER INTENDED NOR WARRANTED FOR USE IN EQUIPMENTS OR SYSTEMS THAT REQUIRE EXTRAORDINARILY HIGH LEVELS OF QUALITY AND/OR RELIABILITY, AND/OR A MALFUNCTION OR FAILURE OF WHICH MAY CAUSE LOSS OF HUMAN LIFE, BODILY INJURY, SERIOUS PROPERTY DAMAGE AND/OR SERIOUS PUBLIC IMPACT ("UNINTENDED USE").** Except for specific applications as expressly stated in this document, Unintended Use includes, without limitation, equipment used in nuclear facilities, equipment used in the aerospace industry, lifesaving and/or life supporting medical equipment, equipment used for automobiles, trains, ships and other transportation, traffic signaling equipment, equipment used to control combustions or explosions, safety devices, elevators and escalators, and devices related to power plant. **IF YOU USE PRODUCT FOR UNINTENDED USE, TOSHIBA ASSUMES NO LIABILITY FOR PRODUCT.** For details, please contact your TOSHIBA sales representative or contact us via our website.
- Do not disassemble, analyze, reverse-engineer, alter, modify, translate or copy Product, whether in whole or in part.
- Product shall not be used for or incorporated into any products or systems whose manufacture, use, or sale is prohibited under any applicable laws or regulations.
- The information contained herein is presented only as guidance for Product use. No responsibility is assumed by TOSHIBA for any infringement of patents or any other intellectual property rights of third parties that may result from the use of Product. No license to any intellectual property right is granted by this document, whether express or implied, by estoppel or otherwise.
- **ABSENT A WRITTEN SIGNED AGREEMENT, EXCEPT AS PROVIDED IN THE RELEVANT TERMS AND CONDITIONS OF SALE FOR PRODUCT, AND TO THE MAXIMUM EXTENT ALLOWABLE BY LAW, TOSHIBA (1) ASSUMES NO LIABILITY WHATSOEVER, INCLUDING WITHOUT LIMITATION, INDIRECT, CONSEQUENTIAL, SPECIAL, OR INCIDENTAL DAMAGES OR LOSS, INCLUDING WITHOUT LIMITATION, LOSS OF PROFITS, LOSS OF OPPORTUNITIES, BUSINESS INTERRUPTION AND LOSS OF DATA, AND (2) DISCLAIMS ANY AND ALL EXPRESS OR IMPLIED WARRANTIES AND CONDITIONS RELATED TO SALE, USE OF PRODUCT, OR INFORMATION, INCLUDING WARRANTIES OR CONDITIONS OF MERCHANTABILITY, FITNESS FOR A PARTICULAR PURPOSE, ACCURACY OF INFORMATION, OR NONINFRINGEMENT.**
- Do not use or otherwise make available Product or related software or technology for any military purposes, including without limitation, for the design, development, use, stockpiling or manufacturing of nuclear, chemical, or biological weapons or missile technology products (mass destruction weapons). Product and related software and technology may be controlled under the applicable export laws and regulations including, without limitation, the Japanese Foreign Exchange and Foreign Trade Law and the U.S. Export Administration Regulations. Export and re-export of Product or related software or technology are strictly prohibited except in compliance with all applicable export laws and regulations.
- Please contact your TOSHIBA sales representative for details as to environmental matters such as the RoHS compatibility of Product. Please use Product in compliance with all applicable laws and regulations that regulate the inclusion or use of controlled substances, including without limitation, the EU RoHS Directive. **TOSHIBA ASSUMES NO LIABILITY FOR DAMAGES OR LOSSES OCCURRING AS A RESULT OF NONCOMPLIANCE WITH APPLICABLE LAWS AND REGULATIONS.**

TOSHIBA ELECTRONIC DEVICES & STORAGE CORPORATION

<https://toshiba.semicon-storage.com/>