

Reverse Recovery Operation and Destruction of MOSFET Body Diode

Description

This document describes the reverse recovery operation and destruction of the MOSFET body diode.

Table of Contents

Description.....	1
Table of Contents.....	2
1. MOSFET body diode.....	3
2. Reverse recovery.....	4
3. Destruction of the body diode during reverse recovery.....	5
RESTRICTIONS ON PRODUCT USE.....	9

List of Figures

Figure 1 Body diode in a MOSFET	3
Figure 2 Reverse recovery waveform of the body diode.....	5
Figure 3 Difference between carrier distribution during recovery and electric field distribution during recovery and static voltage application	7

1. MOSFET body diode

The MOSFET has an intrinsic body diode (also called a parasitic diode) between the drain and source electrodes as an integral part of its structure. In Figure 1, the n^+ and p^+ (p-base layer) of the source electrode side are short-circuited by the source electrode. Consequently, besides the MOSFET structure, the p-base layer, the n^- drift layer, and the n^+ substrate form a PIN diode between the drain and source electrodes, which acts as a body diode.

Typically, the PIN diode (i.e., a diode with a $p^+ - n^- - n^+$ structure) has four states. These are compared with the following MOSFET operations.

- a. Reverse-blocking state
 - ⇒ The MOSFET is in the cut-off region (OFF mode) in which the forward voltage is blocked.
- b. Turn-on (forward recovery) state
 - ⇒ Current starts flowing to the body diode.
- c. Forward-conduction state
 - ⇒ Current flows from the source to the drain of the MOSFET (via the body diode in the forward direction).
- d. Turn-off (reverse recovery) state
 - ⇒ A transition occurs from the forward conduction of the body diode to the application of voltage across the drain and source of the MOSFET (OFF state).

State d differs from the typical on-to-off transition of a MOSFET in that a forward current is flowing through the body diode immediately prior to the transition. Therefore, the n^- drift layer is saturated with hole and electron carriers (conductivity modulation).

If the drain is positively biased relative to the source while in this state (i.e., while the body diode is forward-biased), the body diode is reverse-biased and transitions to the reverse recovery mode according to the applied voltage.

When a MOSFET is used as a simple switch, a reverse bias is never applied across the drain and the source, and therefore the body diode does not conduct. However, in resonant power supplies and inverter circuits, current can flow through the body diode during freewheeling and synchronous rectification operation.

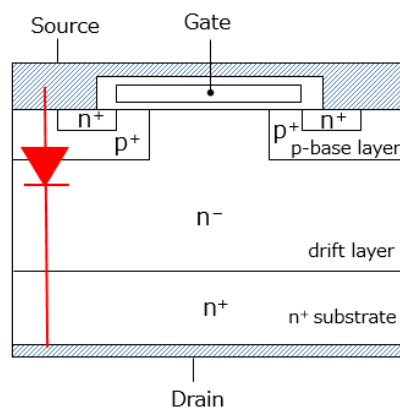


Figure 1 Body diode in a MOSFET

2. Reverse recovery

A diode exhibits considerable loss during reverse recovery, i.e., while it switches from the forward-biased state to the reverse-biased state. In the forward-biased (i.e., current-conducting) state, a large amount of electron and hole carriers is injected into the drift layer. When a diode is reverse-biased, carriers are swept out of the drift layer until the forward current becomes zero. During this process, a large recovery current flows through the diode in the reverse direction. This current causes a large reverse recovery loss. During forward recovery, only carrier injection occurs. Since a large current does not flow, forward recovery exhibits less loss than reverse recovery. Figure 2 shows the reverse recovery waveform of the body diode.

Reverse recovery is a process during which the application of a reverse bias (i.e., a positive potential to the drain electrode) causes a body diode in the forward-conducting state to switch to the reverse-blocking state (sweeping-out of the injected carriers), causing a reverse recovery current to flow. This process continues until the reverse recovery current becomes zero. In contrast, in the forward-biased state, holes are injected from the p-base layer connected to the source and flow to the drain whereas electrons are injected from the n^+ substrate connected to the drain and flow to the source.

Reverse recovery operation (#1 to #4 in Figure 2)

During #1

The body diode switches to the reverse-biased state according to external circuit conditions. Its forward current (I_F) decreases with a slope of $-di_F/dt$ until the injection of minority carriers (holes) stops and the forward current becomes zero. At this time, a lot of carriers remain in the n^- drift layer. $-di_F/dt$ is independent of the body diode characteristics and is determined by external circuit conditions such as the applied voltage, the reactance of the closed loop, and the turn-on speed of the switching device.

During #2

The body diode is in the reverse-biased state due to the external circuit conditions (i.e., the drain electrode has a positive potential relative to the source electrode). The holes remaining in the n^- drift layer are transported to the source electrode whereas electrons are transported to the drain electrode. As a result, a current flows through the body diode in the reverse direction. A sharp $-di_F/dt$ slope causes the carriers to be accelerated and exit the n^- drift layer quickly and therefore increases the peak reverse current. Because the drain-source (cathode-anode) path remains in a low-impedance state until the carriers are swept out of the n^- drift layer to a certain extent, the drain voltage remains low.

During #3

As the carriers exit the n^- drift layer, the drain voltage begins to increase at a certain point. This enlarges the depletion layer^{*1} between the p-base and n^- drift layers. The drain-source (cathode-anode) path exhibits high impedance and sustains reverse voltage. As reverse voltage increases, the number of carriers swept out of the n^- drift layer decreases. Therefore, reverse current

decreases. This voltage slope (dv/dt) is in inverse proportion to the capacitance of the depletion layer (C_{ds}).

During #4

Even after the width of the depletion layer reaches the limit, a current continues flowing until the carriers remaining near the MOSFET cell and the end of the n^- drift layer are swept out.

Without a large forward current (i.e., strong carrier injection), the #4 slope might not be observed.

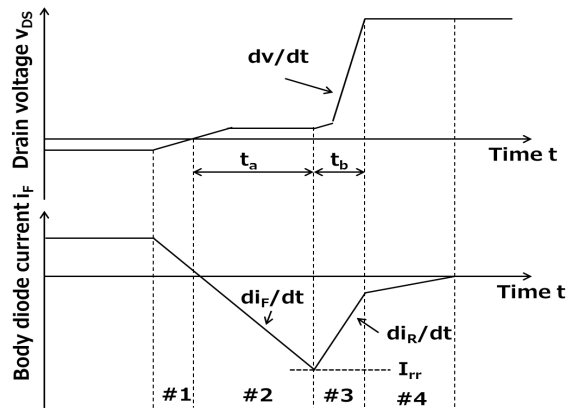


Figure 2 Reverse recovery waveform of the body diode

The current peaks when the body diode switches from #2 to #3. This peak current is specified as the reverse recovery current (I_{rr}). The ratio of the length of #3 (t_b) to the length of #2 (t_a), i.e., t_b/t_a , shows the reverse recovery softness. Soft recovery, i.e., recovery with large t_b/t_a , has low di_R/dt and dv/dt and thus exhibits low recovery noise during #3. I_{rr} and the reverse recovery softness (t_b/t_a) vary with the current slope (di_F/dt) during #1 and #2.

The integral of current over the period from #2 to #4 represents the amount of charge swept out of the n^- drift layer, which is called the reverse recovery charge (Q_{rr}).

3. Destruction of the body diode during reverse recovery

During reverse recovery, a high voltage (i.e., a high electric field) is instantaneously applied to the body diode, which causes high carrier concentration. In this state, a power loss could concentrate in a small spot due to uneven carrier distribution as it occurs in the event of a large avalanche current^{*2}. If this happens, the body diode could be destroyed. This section describes the mechanism of body diode destruction.

The higher the carrier concentration in the drift layer, the greater the charge injection, and thus the intensity of the electric field changes. As described above, a sharp $-di_F/dt$ slope causes the carriers to be accelerated and exit the n^- drift layer quickly. Therefore, a sharp $-di_F/dt$ slope reduces reverse recovery time. Each carrier moves over different distances and with different ease. As a result of a shorter reverse recovery time, more carriers remain in the drift layer without being swept out. Residual carriers cause an electric field to concentrate in the small spot from which they exit the drift layer, leading to diode destruction. Therefore, the larger the di_F/dt value, the more susceptible a diode is to reverse recovery destruction.

Mechanism of reverse recovery destruction

The drain-source voltage (V_{DS}) increases sharply after the diode current decreases to a certain level (#3 to #4 in Figure 2). This high voltage is a major cause of body diode destruction. In this state, carriers in the MOSFET cell have almost disappeared whereas carriers still remain near the end of the n^- drift layer. All the holes remaining at the end of the n^- drift layer concentrate near the end of the p-base in the periphery of the MOSFET cell before being transported to the source.

This hole concentration causes a change in the electric field distribution (exceeding the critical electrical field strength), which leads to local avalanche breakdown^{*2}, destroying the device. In that case, the trace of destruction is observed at the end of the n^- drift layer.

During the application of a static voltage, a MOSFET has only carriers introduced by doping^{*3}. Therefore, the charge near the end of the n^- drift layer is low (with only positively charged donor ions present). Consequently, the depletion layer extends horizontally, reducing the electric field at the end of the p-base. (Since the depletion layer extends into the n^- layer with low carrier concentration, the applied voltage is sustained only by the depletion layer. Therefore, during the application of a static voltage, the p layer has an equal electric field immediately below the cell and at the end of the n^- drift layer.)

In contrast, during reverse recovery, there are many positively charged holes near the end of the p-base as shown in Figure 3(b), making it difficult for the depletion layer to expand, as is the case with the end of the n^- drift layer having high dopant concentration. As a result, the electric field at the end of the p-base increases ($E = V/d$, where E is the electric field, V is the applied voltage, and d is the depletion depth). When the electric field exceeds the critical value, avalanche breakdown occurs at a voltage lower than the static breakdown voltage. An increase in current due to avalanche breakdown generates negative resistance, which causes current concentration, leading to device destruction.

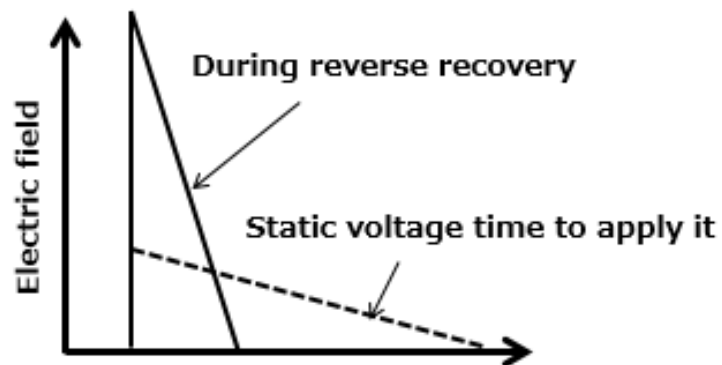
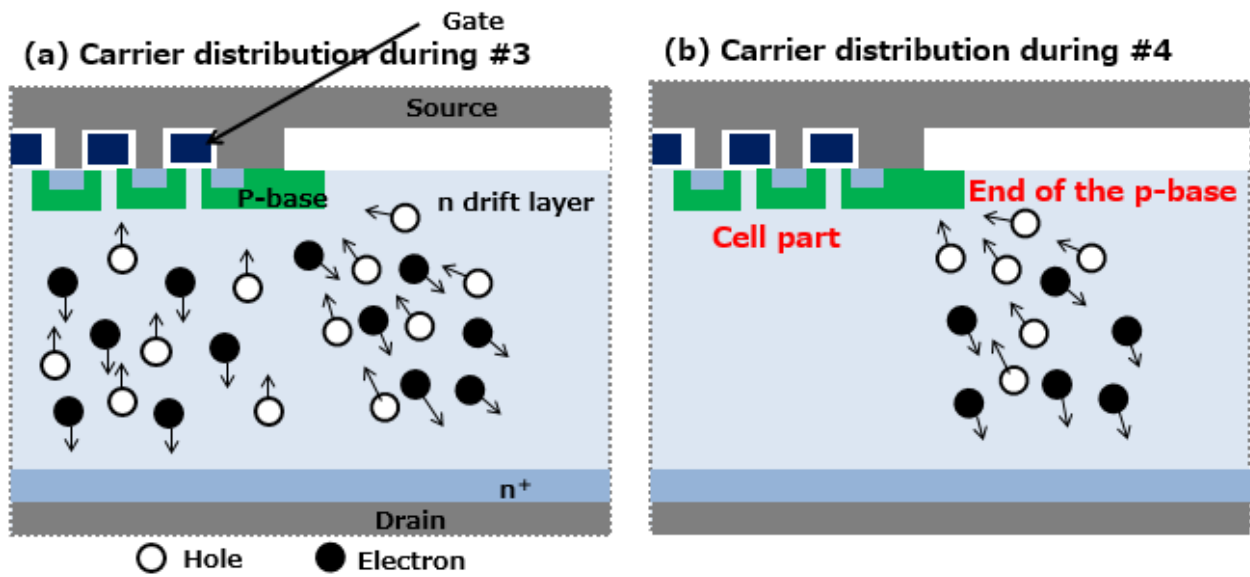


Figure 3 Difference between carrier distribution during recovery and electric field distribution during recovery and static voltage application

***1 Depletion layer**

Region where most electrons and holes have been diffused away by an electric field

***2 Avalanche breakdown**

A small amount of carriers (electrons) are moving through the depletion layer. These electrons are accelerated by an electric field and acquire large kinetic energy. The free electrons collide with the atoms of the crystal lattice, knocking out valence electrons from the atoms and creating electron-hole pairs. The resulting free electrons are also accelerated to high enough speeds to knock other bound electrons free, creating more free electrons and leading to further “knocking-out” processes. This phenomenon is called avalanche breakdown, and the current generated by avalanche breakdown is called avalanche current. The electric field at which avalanche breakdown occurs is called the critical electric field.

The voltage at which avalanche breakdown occurs is called the breakdown voltage, which depends on the electric field distribution. Therefore, the breakdown voltage depends on the critical (maximum) electric field, the dopant concentration that determines the electric field slope, and the resulting thickness of the depletion layer (drift layer).

*** Doping**

Intentional introduction of impurities (i.e., dopants) into a semiconductor device

*** Donor**

A donor is a dopant atom that, when added to a semiconductor, donates an electron to form an n-type semiconductor. In contrast, an acceptor is a dopant atom that, when added to a semiconductor, donates a hole to form a p-type semiconductor.

RESTRICTIONS ON PRODUCT USE

Toshiba Corporation and its subsidiaries and affiliates are collectively referred to as "TOSHIBA". Hardware, software and systems described in this document are collectively referred to as "Product".

- TOSHIBA reserves the right to make changes to the information in this document and related Product without notice.
- This document and any information herein may not be reproduced without prior written permission from TOSHIBA. Even with TOSHIBA's written permission, reproduction is permissible only if reproduction is without alteration/omission.
- Though TOSHIBA works continually to improve Product's quality and reliability, Product can malfunction or fail. Customers are responsible for complying with safety standards and for providing adequate designs and safeguards for their hardware, software and systems which minimize risk and avoid situations in which a malfunction or failure of Product could cause loss of human life, bodily injury or damage to property, including data loss or corruption. Before customers use the Product, create designs including the Product, or incorporate the Product into their own applications, customers must also refer to and comply with (a) the latest versions of all relevant TOSHIBA information, including without limitation, this document, the specifications, the data sheets and application notes for Product and the precautions and conditions set forth in the "TOSHIBA Semiconductor Reliability Handbook" and (b) the instructions for the application with which the Product will be used with or for. Customers are solely responsible for all aspects of their own product design or applications, including but not limited to (a) determining the appropriateness of the use of this Product in such design or applications; (b) evaluating and determining the applicability of any information contained in this document, or in charts, diagrams, programs, algorithms, sample application circuits, or any other referenced documents; and (c) validating all operating parameters for such designs and applications. **TOSHIBA ASSUMES NO LIABILITY FOR CUSTOMERS' PRODUCT DESIGN OR APPLICATIONS.**
- **PRODUCT IS NEITHER INTENDED NOR WARRANTED FOR USE IN EQUIPMENTS OR SYSTEMS THAT REQUIRE EXTRAORDINARILY HIGH LEVELS OF QUALITY AND/OR RELIABILITY, AND/OR A MALFUNCTION OR FAILURE OF WHICH MAY CAUSE LOSS OF HUMAN LIFE, BODILY INJURY, SERIOUS PROPERTY DAMAGE AND/OR SERIOUS PUBLIC IMPACT ("UNINTENDED USE").** Except for specific applications as expressly stated in this document, Unintended Use includes, without limitation, equipment used in nuclear facilities, equipment used in the aerospace industry, lifesaving and/or life supporting medical equipment, equipment used for automobiles, trains, ships and other transportation, traffic signaling equipment, equipment used to control combustions or explosions, safety devices, elevators and escalators, and devices related to power plant. **IF YOU USE PRODUCT FOR UNINTENDED USE, TOSHIBA ASSUMES NO LIABILITY FOR PRODUCT.** For details, please contact your TOSHIBA sales representative or contact us via our website.
- Do not disassemble, analyze, reverse-engineer, alter, modify, translate or copy Product, whether in whole or in part.
- Product shall not be used for or incorporated into any products or systems whose manufacture, use, or sale is prohibited under any applicable laws or regulations.
- The information contained herein is presented only as guidance for Product use. No responsibility is assumed by TOSHIBA for any infringement of patents or any other intellectual property rights of third parties that may result from the use of Product. No license to any intellectual property right is granted by this document, whether express or implied, by estoppel or otherwise.
- **ABSENT A WRITTEN SIGNED AGREEMENT, EXCEPT AS PROVIDED IN THE RELEVANT TERMS AND CONDITIONS OF SALE FOR PRODUCT, AND TO THE MAXIMUM EXTENT ALLOWABLE BY LAW, TOSHIBA (1) ASSUMES NO LIABILITY WHATSOEVER, INCLUDING WITHOUT LIMITATION, INDIRECT, CONSEQUENTIAL, SPECIAL, OR INCIDENTAL DAMAGES OR LOSS, INCLUDING WITHOUT LIMITATION, LOSS OF PROFITS, LOSS OF OPPORTUNITIES, BUSINESS INTERRUPTION AND LOSS OF DATA, AND (2) DISCLAIMS ANY AND ALL EXPRESS OR IMPLIED WARRANTIES AND CONDITIONS RELATED TO SALE, USE OF PRODUCT, OR INFORMATION, INCLUDING WARRANTIES OR CONDITIONS OF MERCHANTABILITY, FITNESS FOR A PARTICULAR PURPOSE, ACCURACY OF INFORMATION, OR NONINFRINGEMENT.**
- Do not use or otherwise make available Product or related software or technology for any military purposes, including without limitation, for the design, development, use, stockpiling or manufacturing of nuclear, chemical, or biological weapons or missile technology products (mass destruction weapons). Product and related software and technology may be controlled under the applicable export laws and regulations including, without limitation, the Japanese Foreign Exchange and Foreign Trade Law and the U.S. Export Administration Regulations. Export and re-export of Product or related software or technology are strictly prohibited except in compliance with all applicable export laws and regulations.
- Please contact your TOSHIBA sales representative for details as to environmental matters such as the RoHS compatibility of Product. Please use Product in compliance with all applicable laws and regulations that regulate the inclusion or use of controlled substances, including without limitation, the EU RoHS Directive. **TOSHIBA ASSUMES NO LIABILITY FOR DAMAGES OR LOSSES OCCURRING AS A RESULT OF NONCOMPLIANCE WITH APPLICABLE LAWS AND REGULATIONS.**