

M4G Group (1)
Application Note
Clock Control and Operation Mode
(CG-M4G(1)-C)

Outlines

This application note is a reference material for developing products using clock control and operation mode (CG) function of M4G group (1).

The release of low power mode is performed by external interrupt.
This document helps the user check operation of the product and develop its program.

Target sample program: CGRST_EXINT

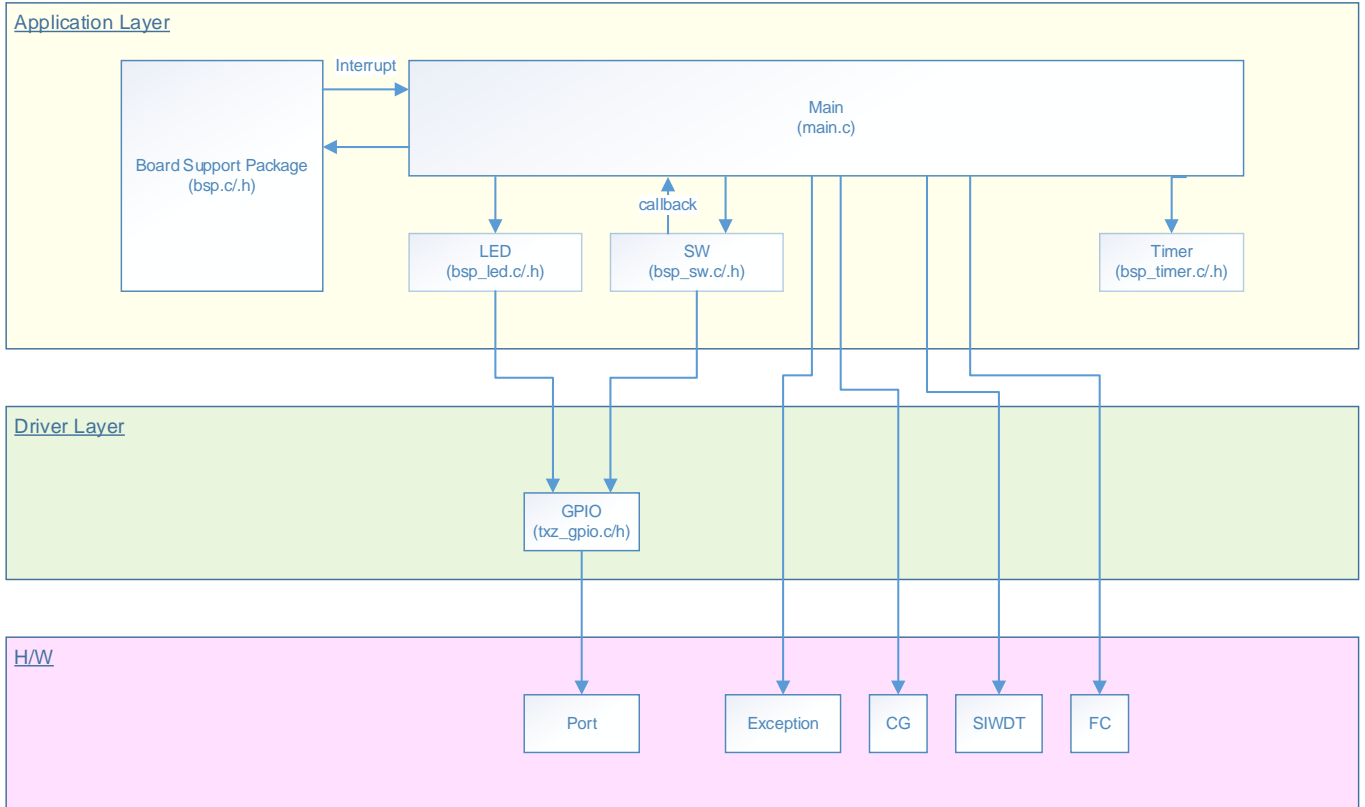
Table of Contents

Outlines.....	1
Table of Contents.....	2
1. Preface	3
2. Reference Document	4
3. Referred function.....	4
4. Target Device.....	4
5. Conditions for Correct Operation.....	5
6. Evaluation Board Setting.....	6
7. Operation of Evaluation Board	7
8. Outline of clock control Function	8
9. Sample Program	9
9.1. Initialization	9
9.2. Sample Program Main Operation.....	9
9.3. Operation Mode Transition	10
9.4. Operating Flow of Sample Program	11
10. Precaution.....	26
11. Revision History	26
RESTRICTIONS ON PRODUCT USE	27

1. Preface

The operation mode of this sample program can be changed from NORMAL mode to low power mode by using the evaluation board and operating the push switch on the evaluation board. Then the operation state can be checked by LED. In low power mode, the mode is returned to NORMAL mode by an external interrupt.

Structure diagram of Sample program



2. Reference Document

- Datasheet
TMPM4G group (1) datasheet Rev1.0 (Japanese edition)
- Reference manual
Clock Control and Operation Mode (CG-M4G(1)-D) Rev1.0 (Japanese edition)
Input/Output Port (PORT-M4G(1)) Rev1.0 (Japanese edition)
Exception (EXCEPT-M4G(1)) Rev1.0 (Japanese edition)
- Application note
M4G Group (1) Application Note Startup (CMSIS System & Clock Configuration) Rev1.0
- Other reference document
TMPM4G (1) Group Peripheral Driver User Manual (Doxygen)

3. Referred function

IP	Channel	Port	Function / Operation mode
Clock control	-	-	System clock control / mode change
Input/Output Port	-	PV0 (Input Port)	Input
		PL4 (Input Port)	
		PL5 (Input Port)	
	PL0 (INT01a)	External interrupt	
	-	PE4 (Output Port) PE5 (Output Port) PE6 (Output Port) PE7 (Output Port)	Output

4. Target Device

The target devices of this application note are as follows;

TMPM4G9F15FG	TMPM4G9F10FG	TMPM4G9FEFG	TMPM4G9FDFG
TMPM4G9F15XBG	TMPM4G9F10XBG	TMPM4G9FEXBG	TMPM4G9FDXBG
TMPM4G8F15FG	TMPM4G8F10FG	TMPM4G8FEFG	TMPM4G8FDFG
TMPM4G8F15XBG	TMPM4G8F10XBG	TMPM4G8FEXBG	TMPM4G8FDXBG
	TMPM4G7F10FG	TMPM4G7FEFG	TMPM4G7FDFG
	TMPM4G6F10FG	TMPM4G6FEFG	TMPM4G6FDFG

*This sample program operates on the evaluation board of TMPM4G9F15FG.

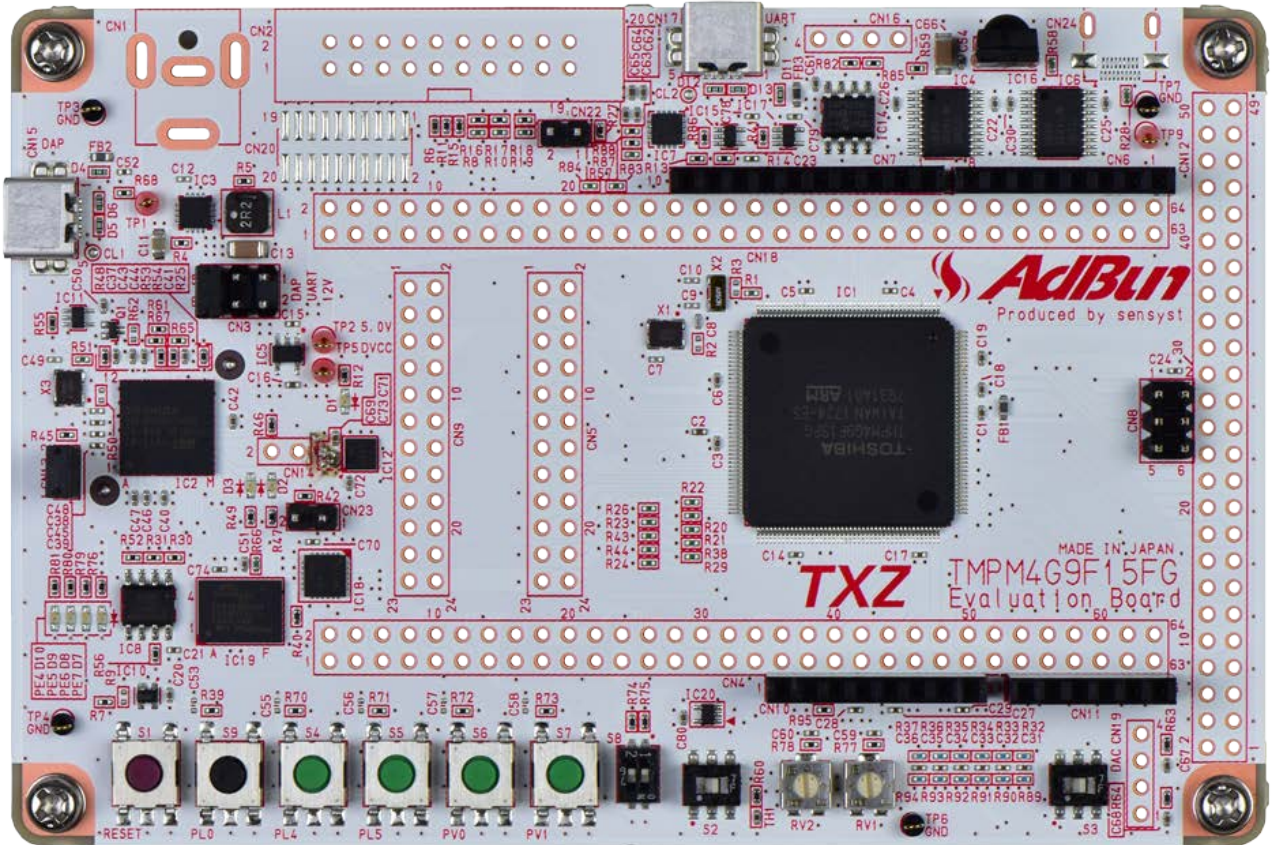
If other function than the TMPM4G9F15 one is checked, it is necessary that CMSIS Core related files (C startup file and I/O header file) should be changed properly.

The BSP related file is dedicated to the evaluation board (TMPM4G9F15). If other function than the TMPM4G9F15 one is checked, the BSP related file should be changed properly.

5. Conditions for Correct Operation

Used microcontroller	TMPM4G9F15FG
Used board	TMPM4G9F15FG Evaluation Board by Sensyst
Unified development environment	IAR Embedded Workbench for ARM 8.11.2.13606
Unified development environment	µVision MDK Version 5.24.2.0
Sample program	V1000

Evaluation board (TMPM4G9F15FG Evaluation Board) Top view



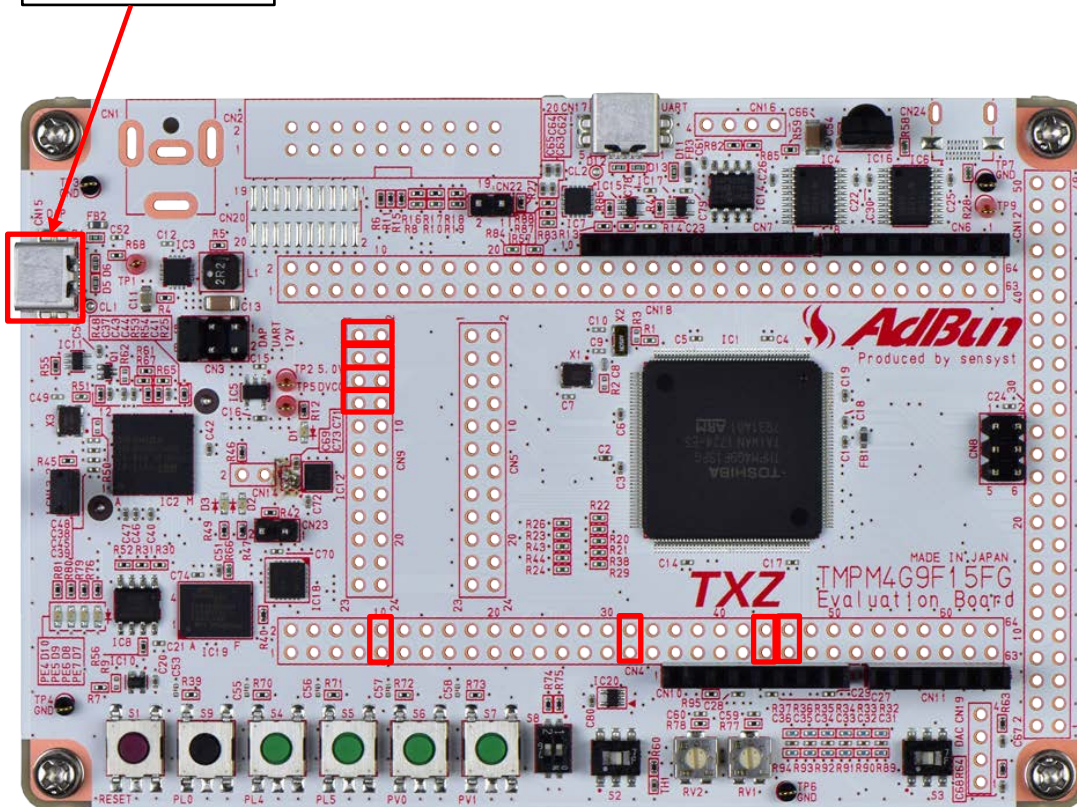
6. Evaluation Board Setting

The following pin connections should be done on the evaluation board.

CN4		
Board function	Through-hole No.	Through-hole No.
Push SW (S9)	9: StopSW_INT	10: PL0
Push SW (S6)	31: ISD_SW0	32: PV0
Push SW (S5)	43: SW_INT1	44: PL5
Push SW (S4)	45: SW_INT0	46: PL4

CN9		
Board function	Through-hole No.	Through-hole No.
LED (D10)	1: LED0	2: PE4
LED (D9)	3: LED1	4: PE5
LED (D8)	5: LED2	6: PE6
LED (D7)	7: LED3	9: PE7

DAP connector



7. Operation of Evaluation Board

After reset, the sample program operates in NORMAL mode, and LED10 of PE4 is blinking.
The push switch is used for changing to low power mode.

IDLE S4: PL4
STOP1 S5: PL5
STOP2 S6: PV0

The operation mode is checked by LED.

The operation mode of LED lighting is as follows.

NORMAL mode D10: PE4 (Blinking)
Low power consumption mode IDLE D9: PE5 (Lighting)
STOP1 D8: PE6 (Lighting)
STOP2 D7: PE7 (Lighting)

LED blinking cycle

NORMAL mode: Repeating ON and OFF every one second
Low power consumption mode IDLE: Lighting
STOP1: Lighting
STOP2: Lighting

Returning to NORMAL mode by interrupt control

The operation mode returns from low power mode to NORMAL mode by pushing down the push switch, S9: PL0.

The transition between low power modes is not supported.

Only pushing down the S9 switch is valid.

8. Outline of clock control Function

The clock/mode control block can select a clock gear or prescaler clock and set the warm-up of oscillator. Furthermore, it has Normal mode and a low power consumption mode in order to reduce power consumption using mode transition.

There is the following as a function relevant to a clock.

- System clock control
- Prescaler clock control

9. Sample Program

The mode is switched to low power mode (IDLE / STOP1 / STOP2) as a trigger by the port input by the push switch.

When the mode is entered to the low power mode, the LED lights and the operation mode change can be checked.

After changing to the low power mode, the mode is returned to the NORMAL mode by a detection of an external interrupt.

9.1. Initialization

The following initialization is done after power is supplied.

The initialization of each clock setting and the setting of the watchdog timer are done.

9.2. Sample Program Main Operation

The STOP2 reset flag should be checked.

The initialization of BSP (Board Support Package) is executed.

External interrupt should be enabled.

The initialization of variables is executed.

After each initialization is completed, the operation should enter to the main operation.

In the sample program, the timer is set as the initialization of the driver.

1-ms timer, LED, and the push switch are set as the initialization of the application.

The mode transition is executed by the push switch.

S4 switch pushing down: From NORMAL to IDLE mode

S5 switch pushing down: From NORMAL to STOP1 mode

S6 switch pushing down: From NORMAL to STOP2 mode

Using LEDs, the operation mode of the sample program can be checked.

In the NORMAL mode operation, LED D10 blinks.

The LEDs repeat to turn ON and OFF every one second.

In the IDLE mode, LED D9 lights.

In the STOP1 mode, LED D8 lights.

In the STOP2 mode, LED D7 lights.

When the mode is entered to the low power mode by the push switch, the operation is as follows.

When the INT01a interrupt is detected, the mode returns to NORMAL mode.

For a return from STOP2 mode, port keeping is released after the reset flag register is checked.

The operation after that is same as other mode return.

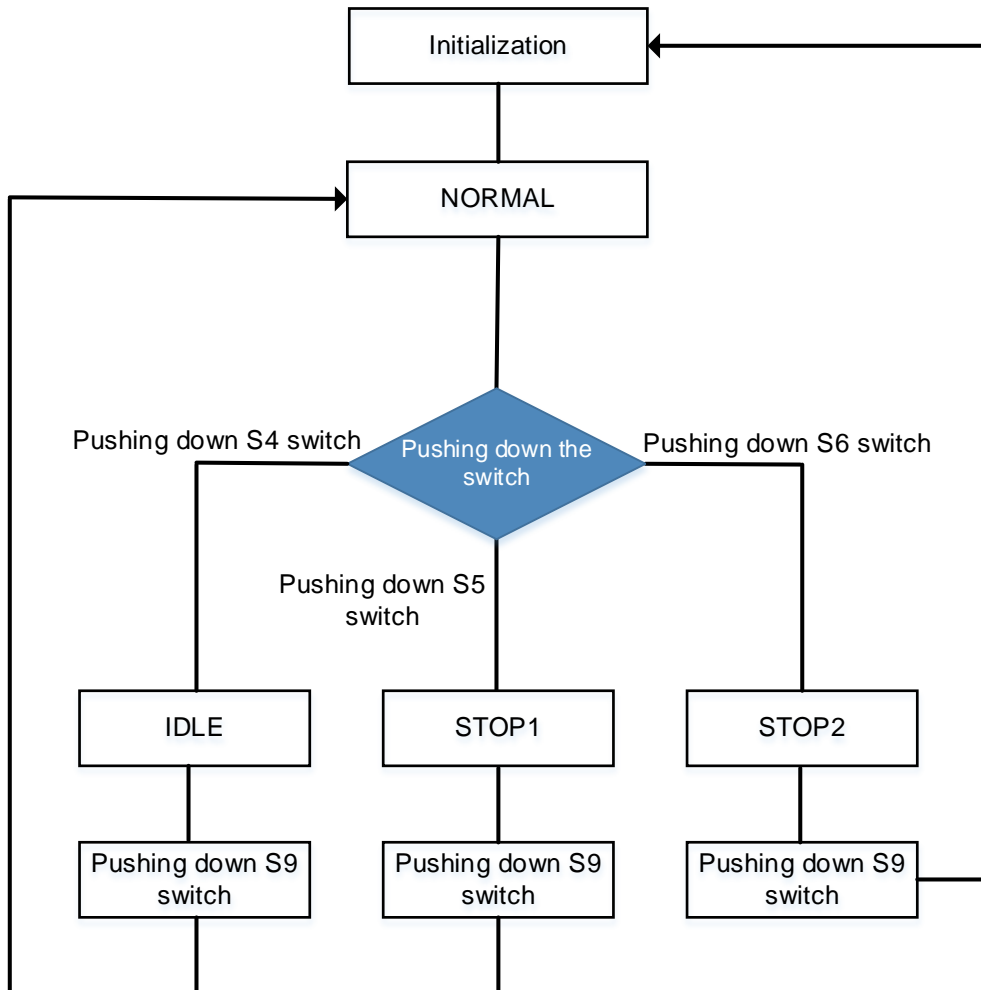
In this sample program, the transition between low power modes is invalid. Therefore, the operation mode should be entered to NORMAL mode once and entered to other low power mode.

9.3. Operation Mode Transition

In this sample program, the operation mode is changed to low power mode by setting PORT pin (push switch S4, S5, S6) to GND.

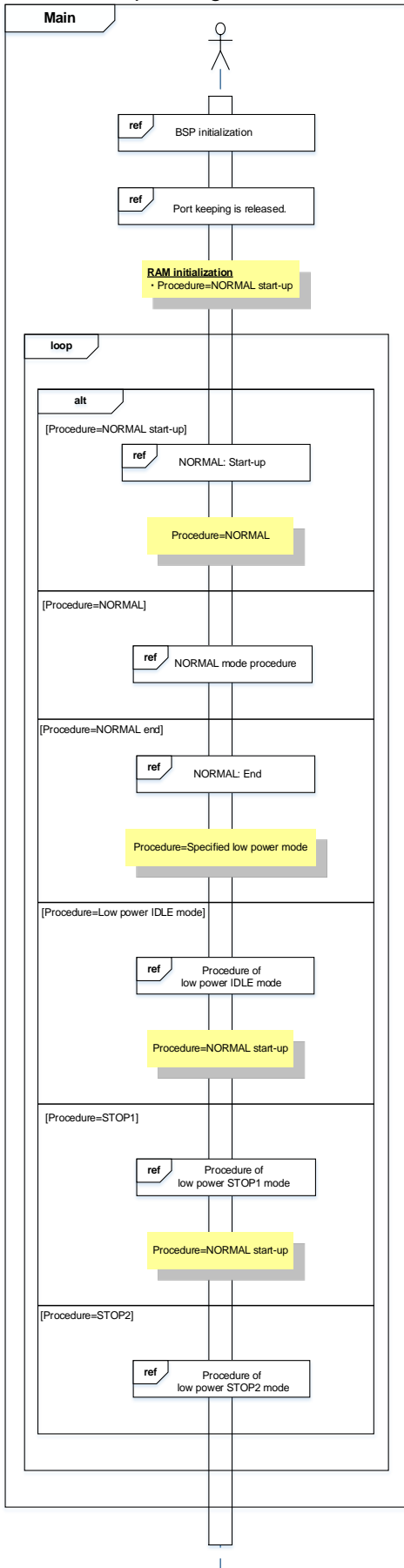
After the power supply is turned on and reset, the state enters to NORMAL mode.

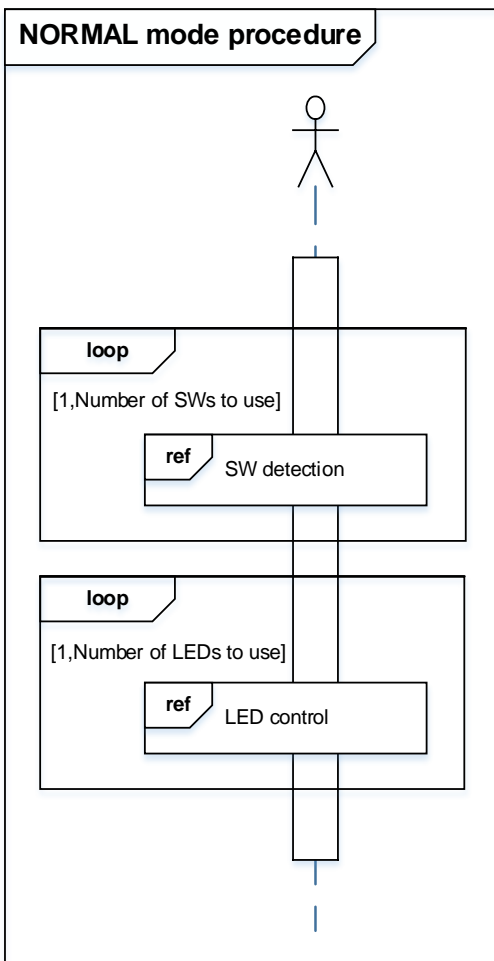
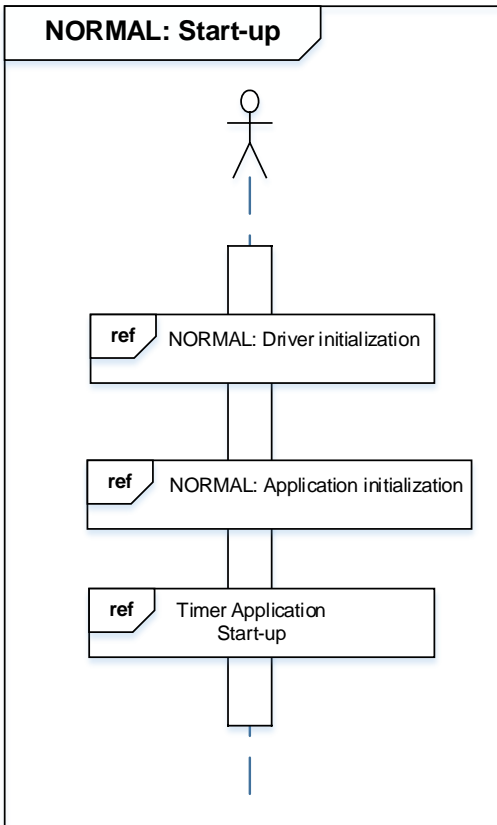
The mode is returned to NORMAL mode by interrupt of the push switch S9 (INT01a).

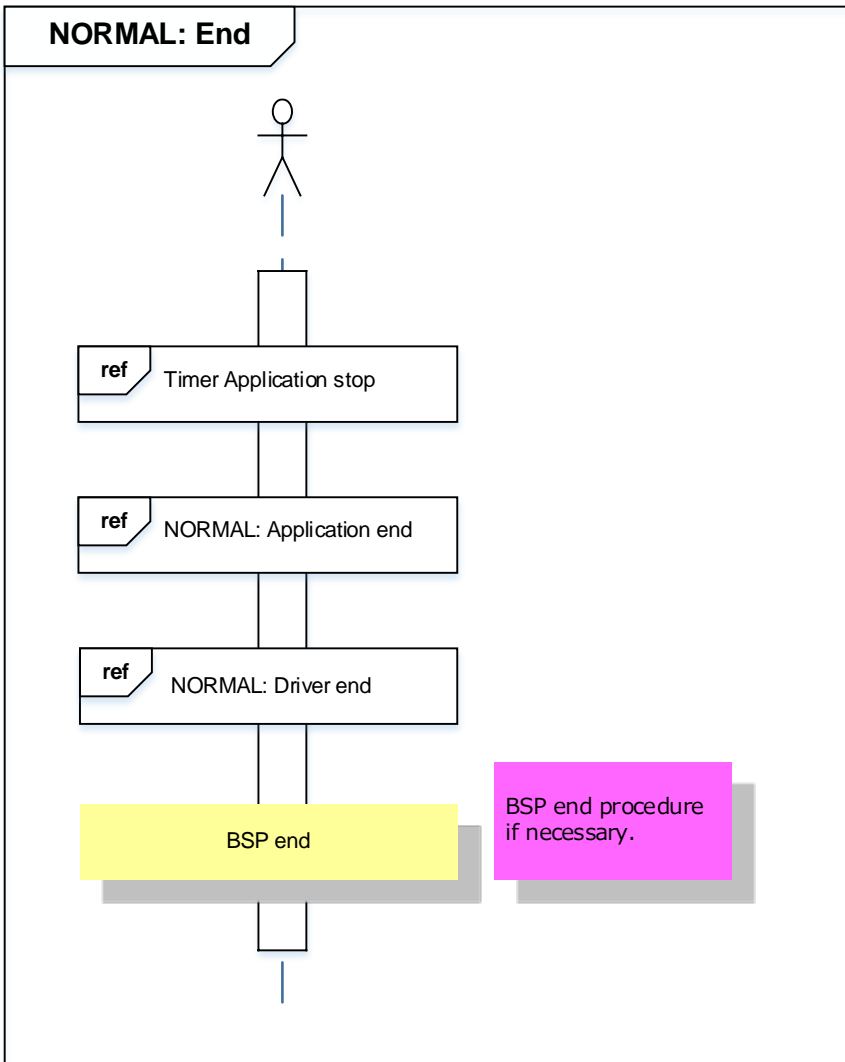


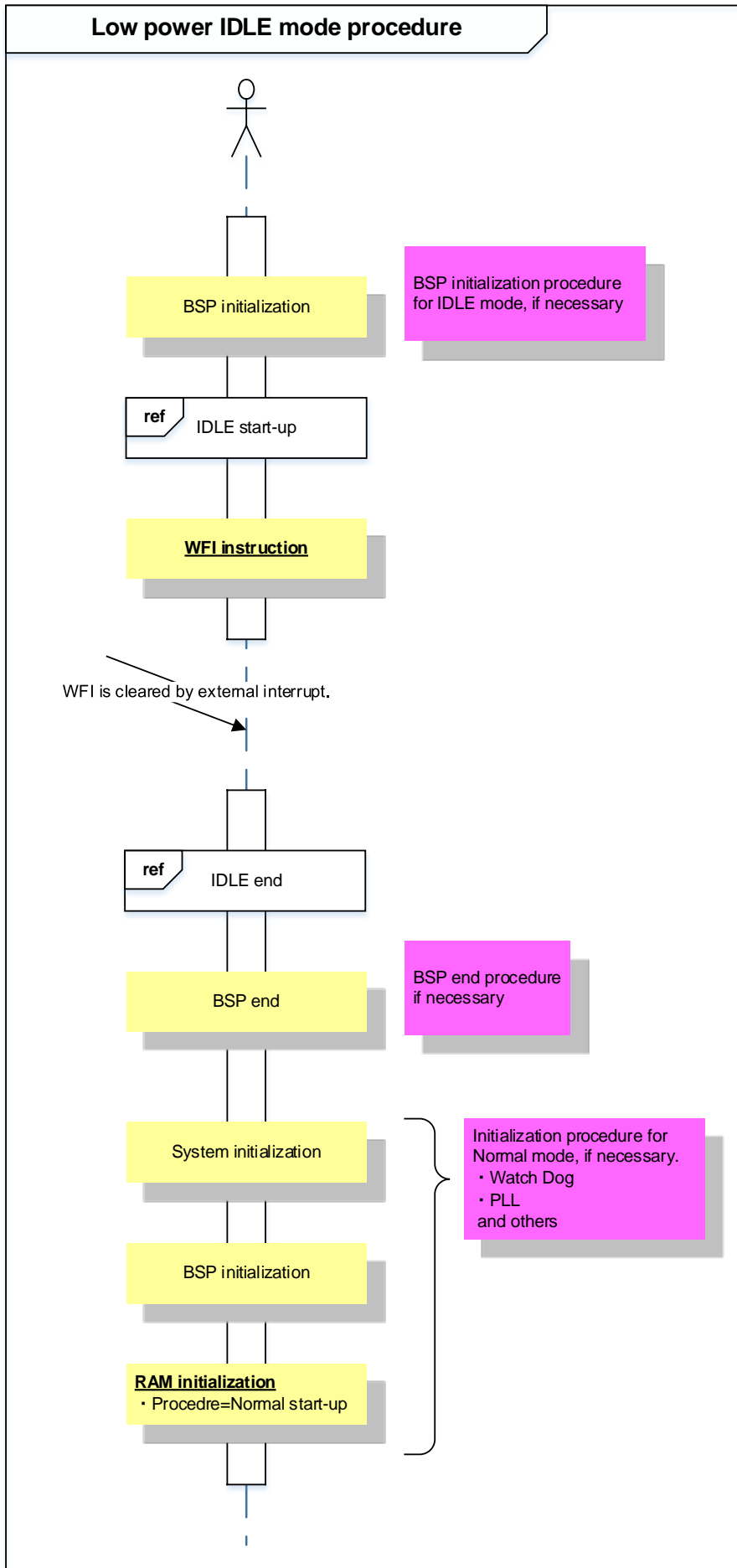
9.4. Operating Flow of Sample Program

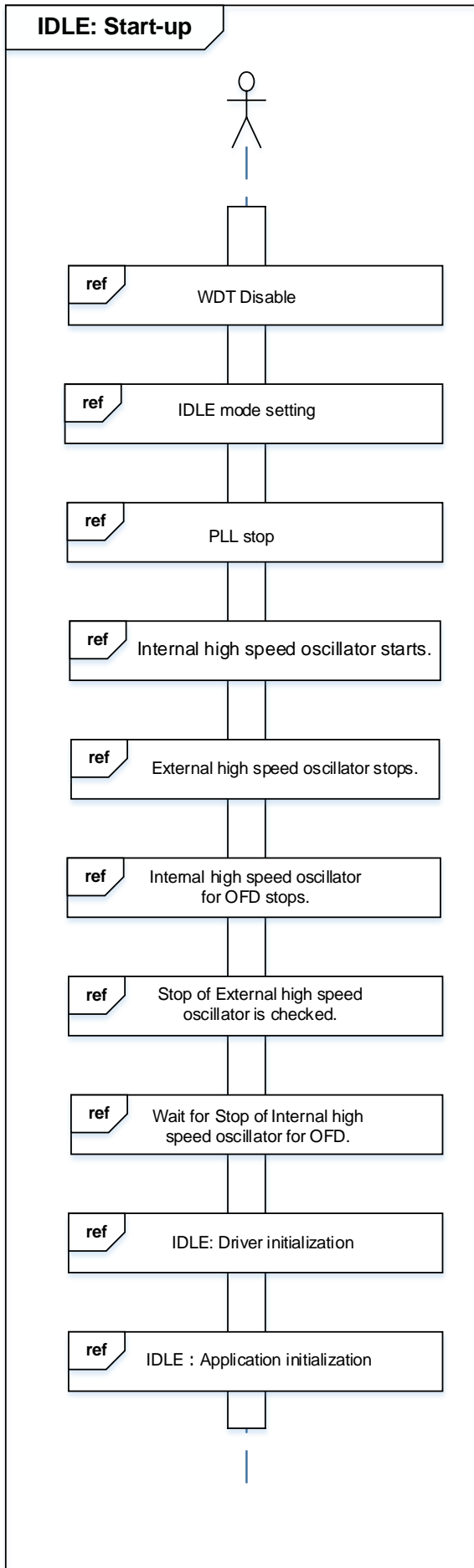
The basic operating flows of the sample program are shown in the following;

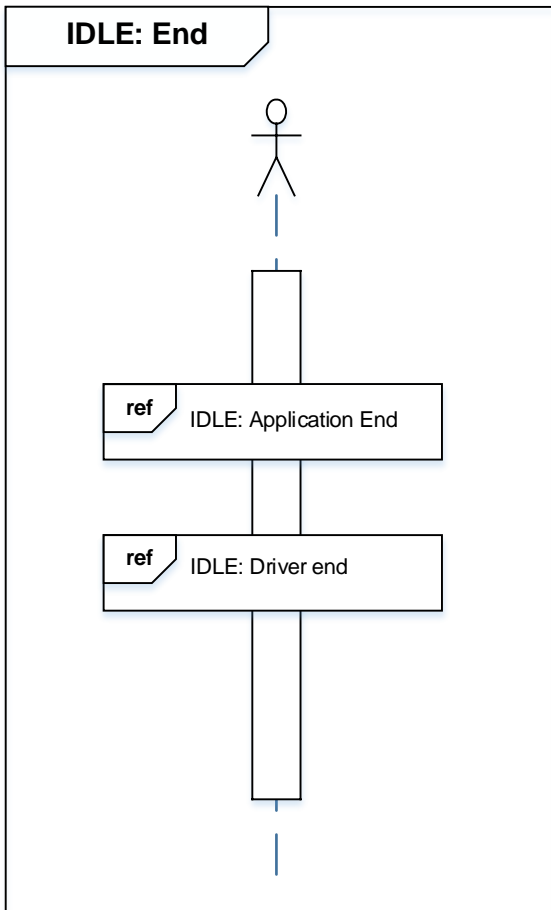


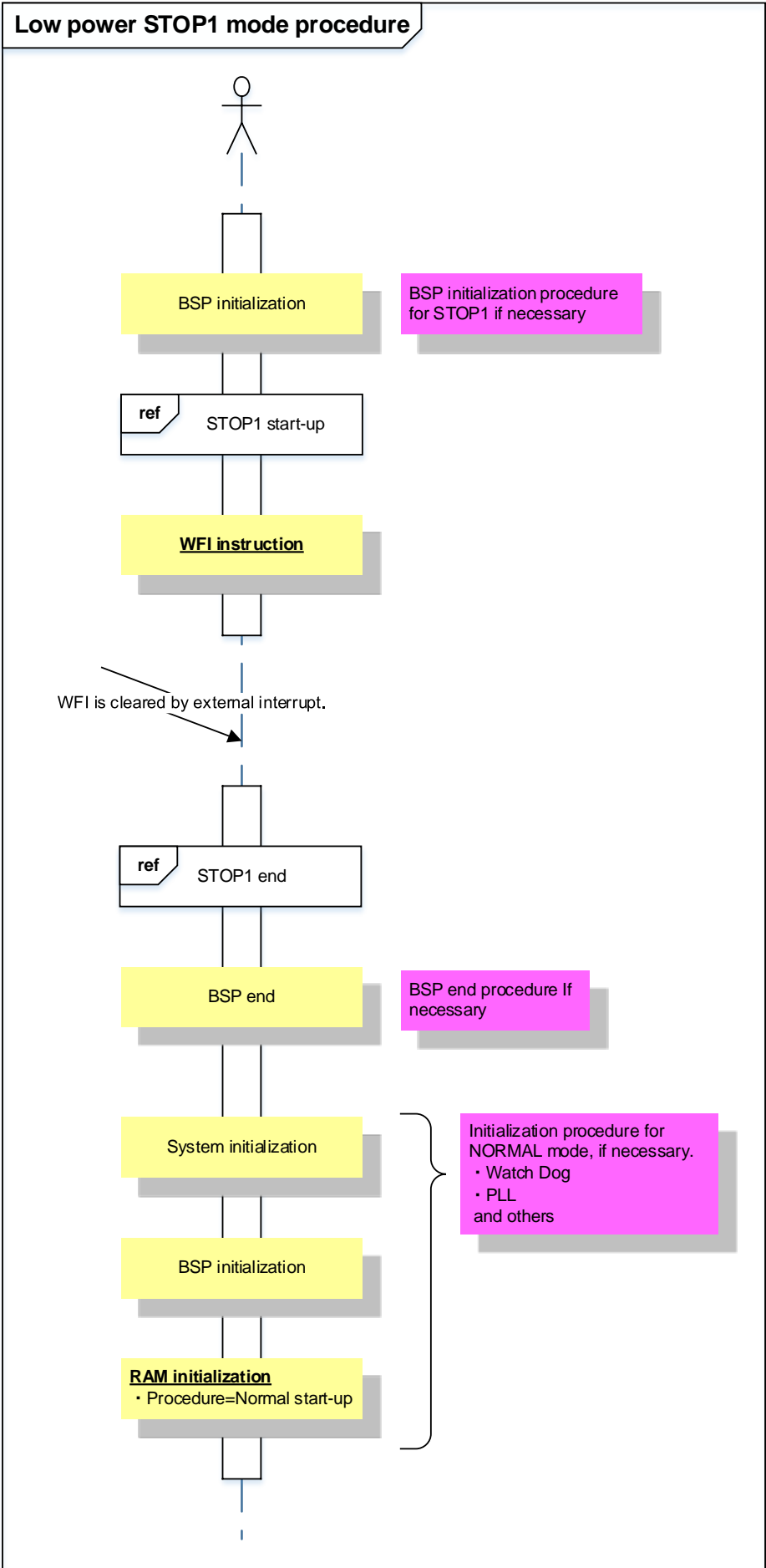


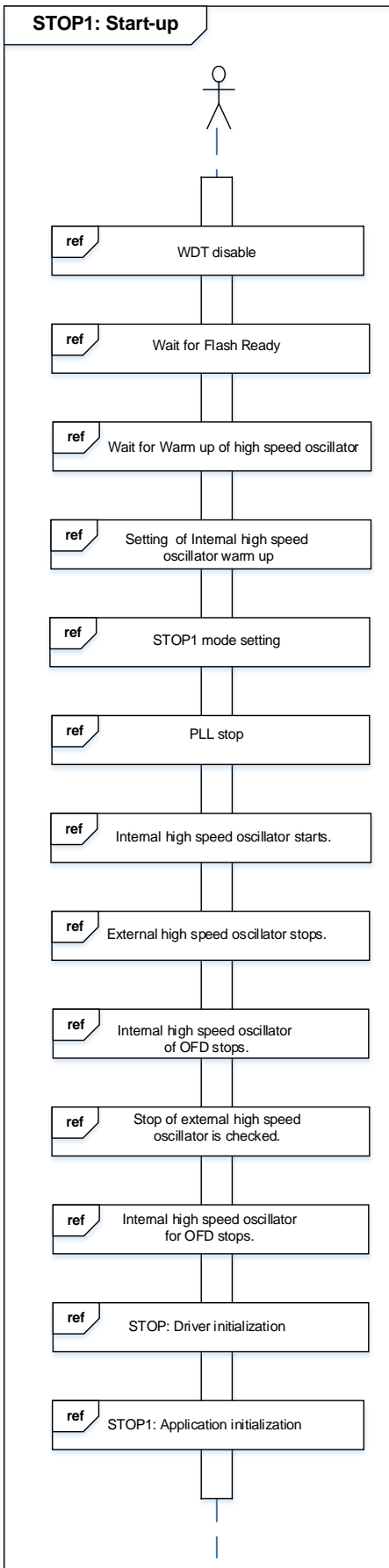


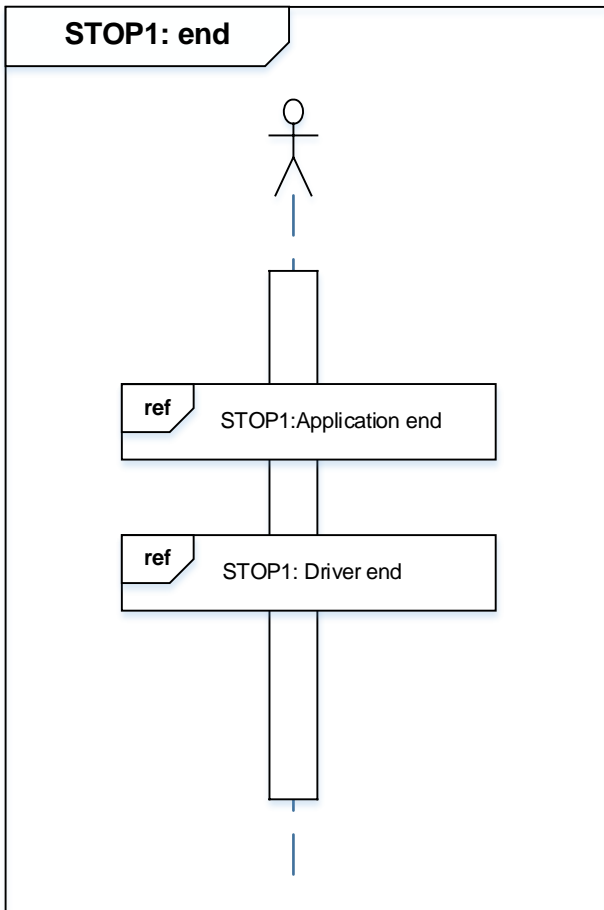


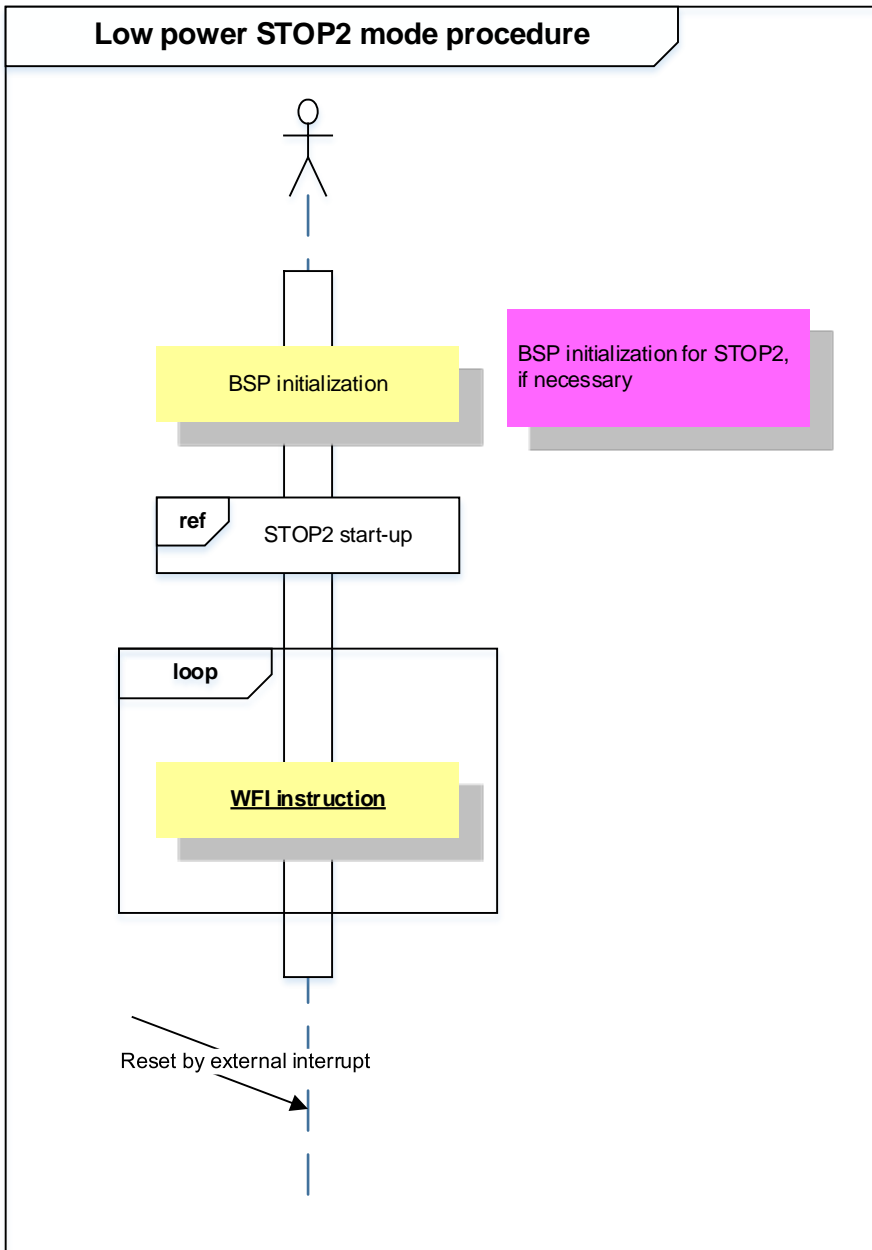


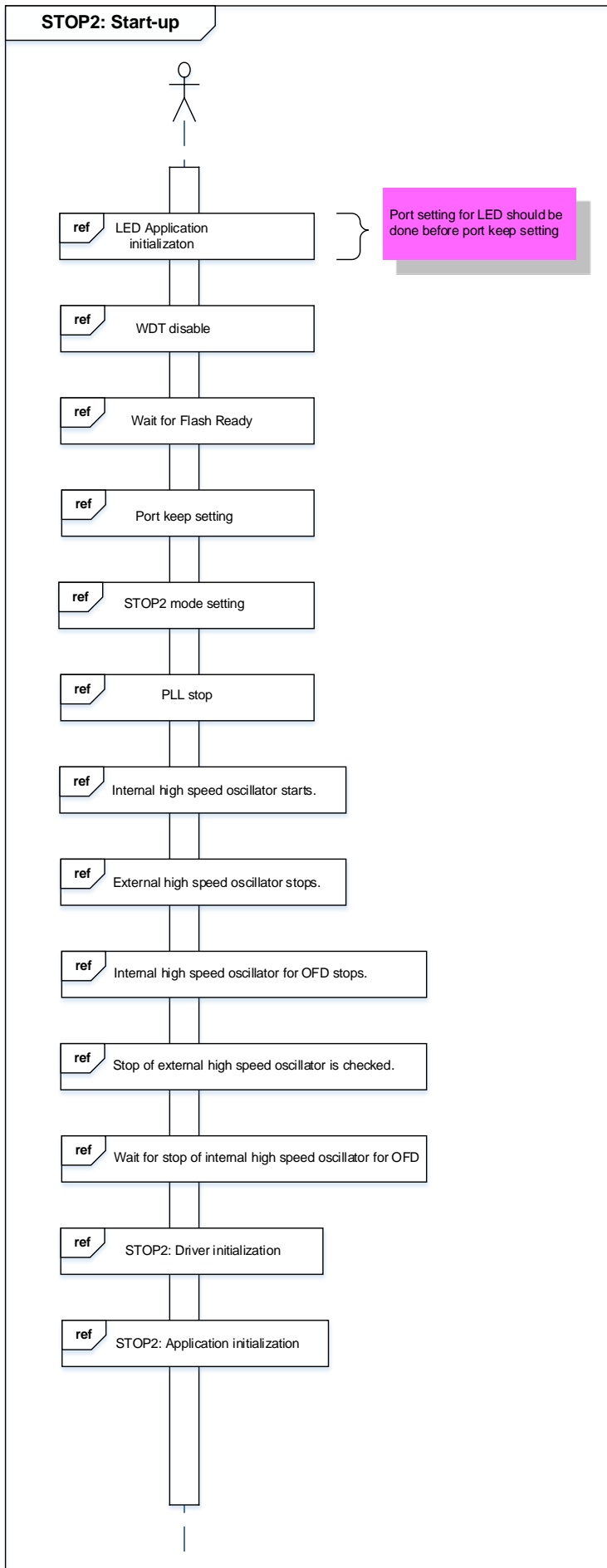


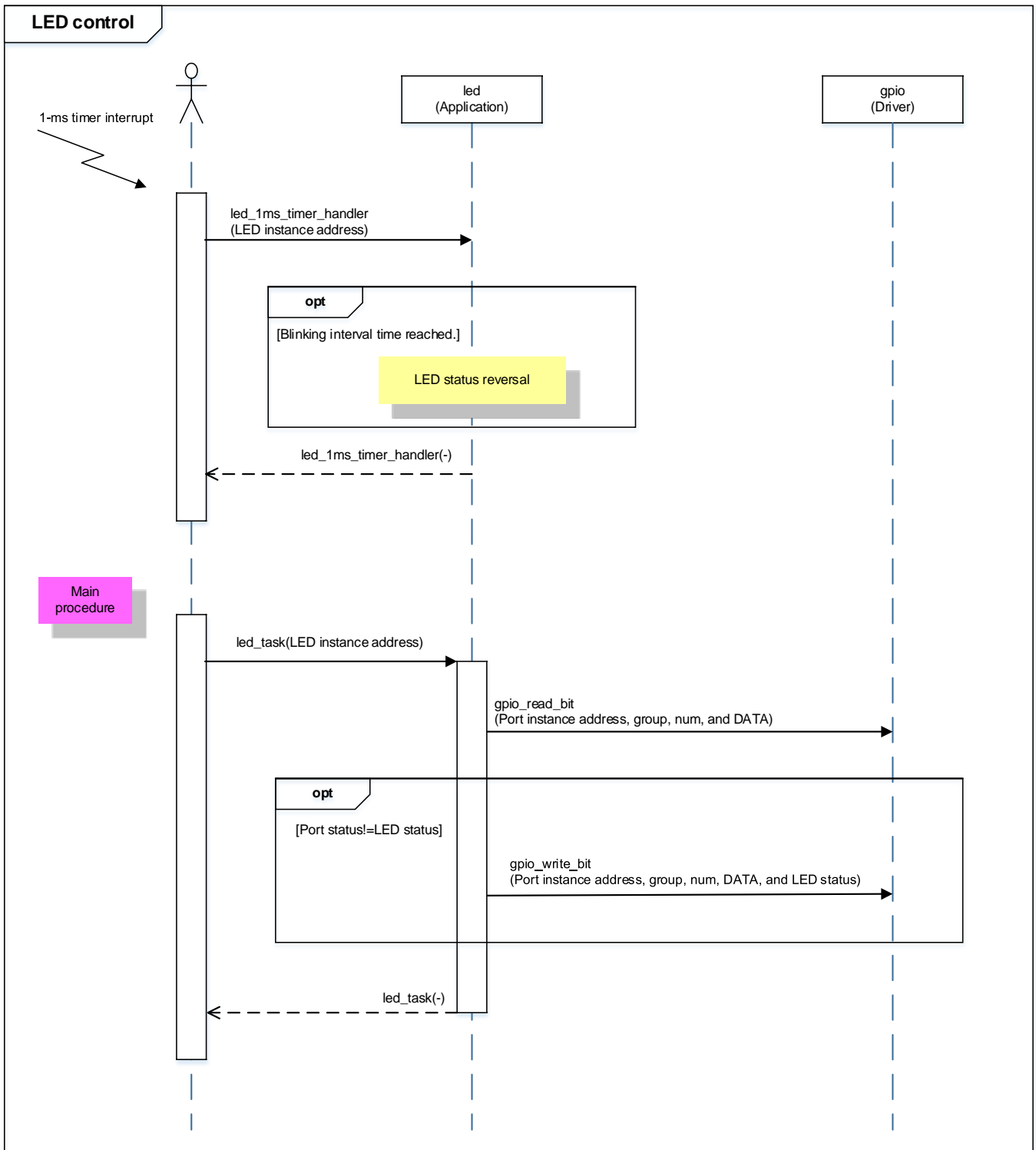


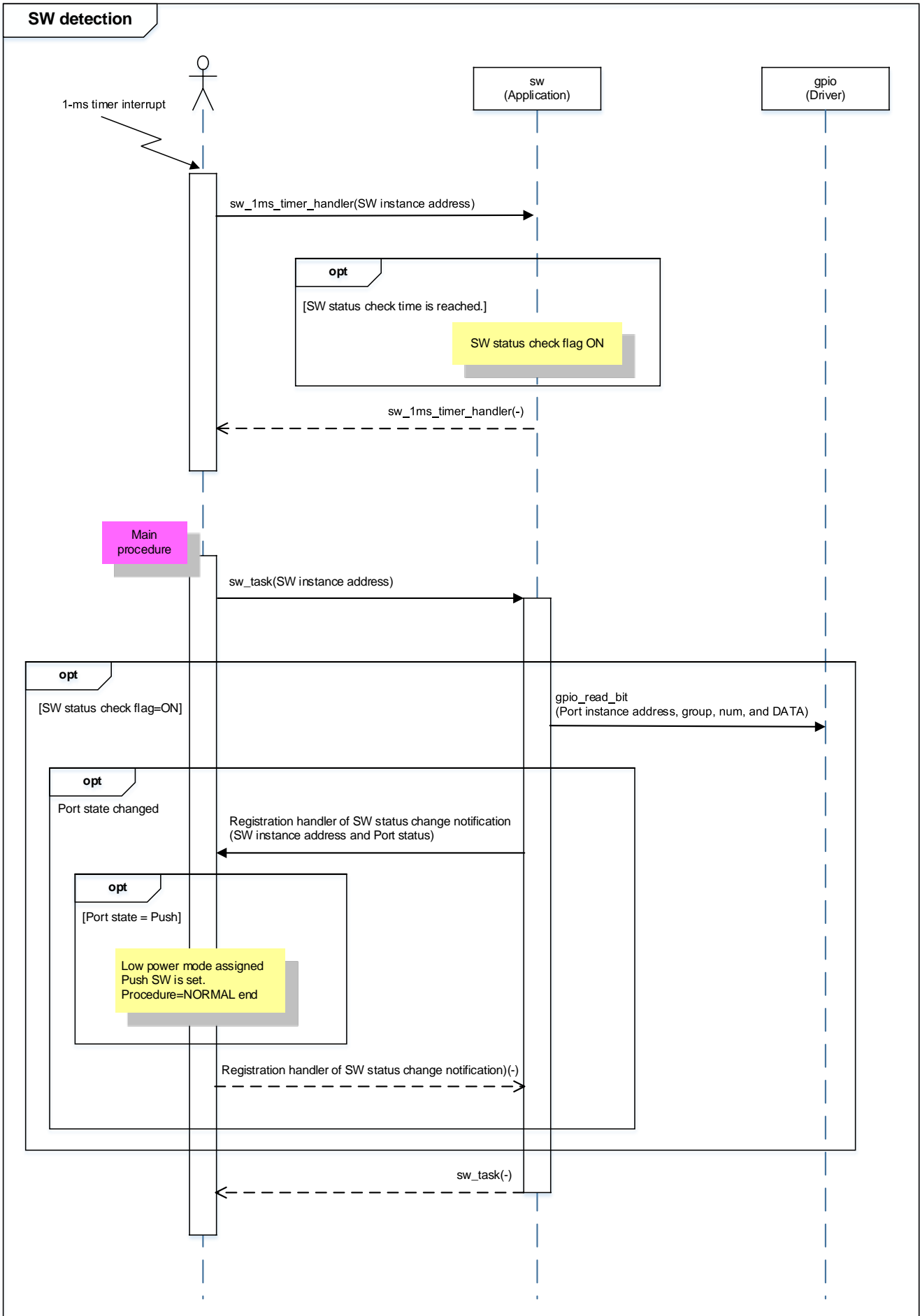


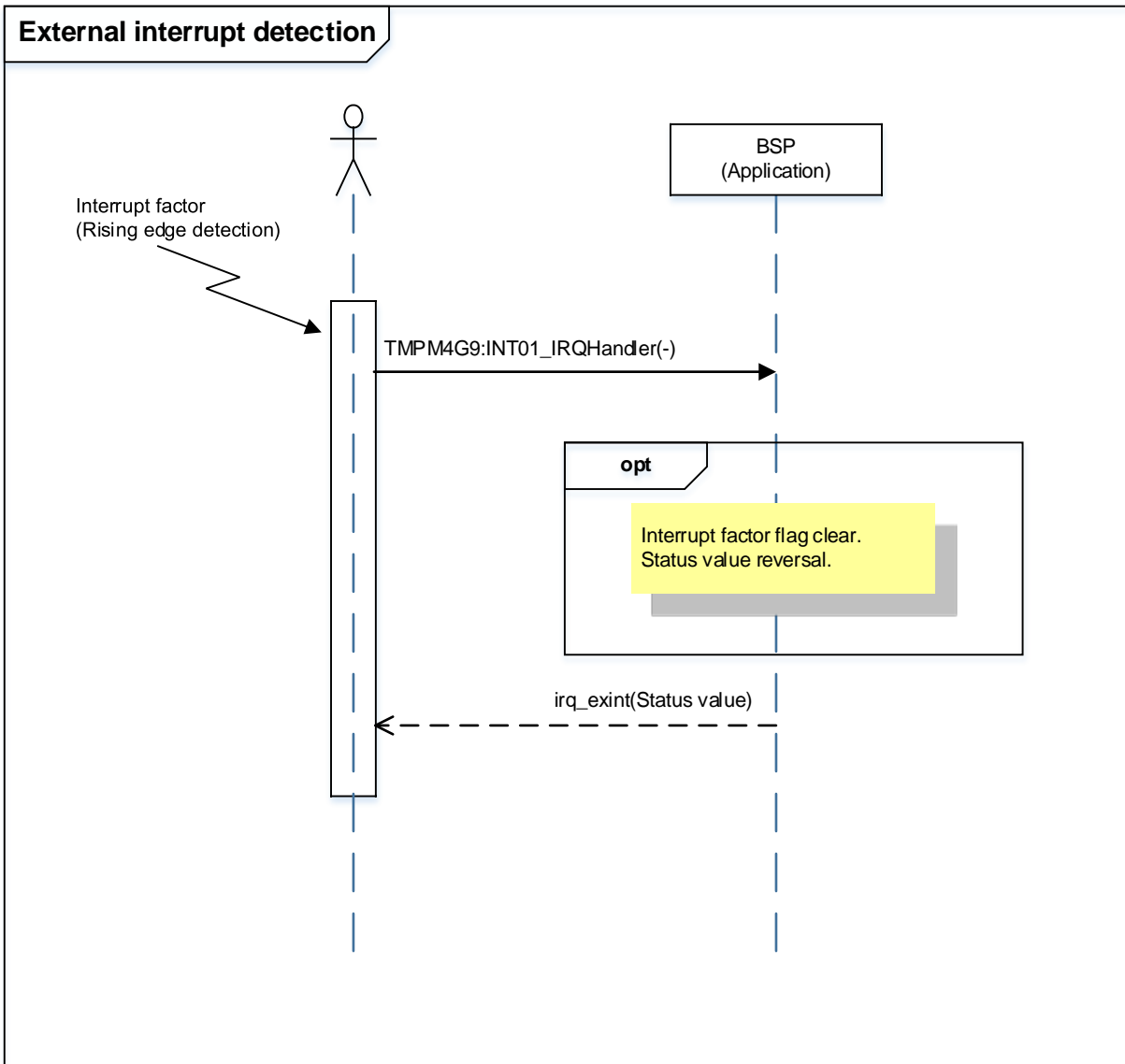


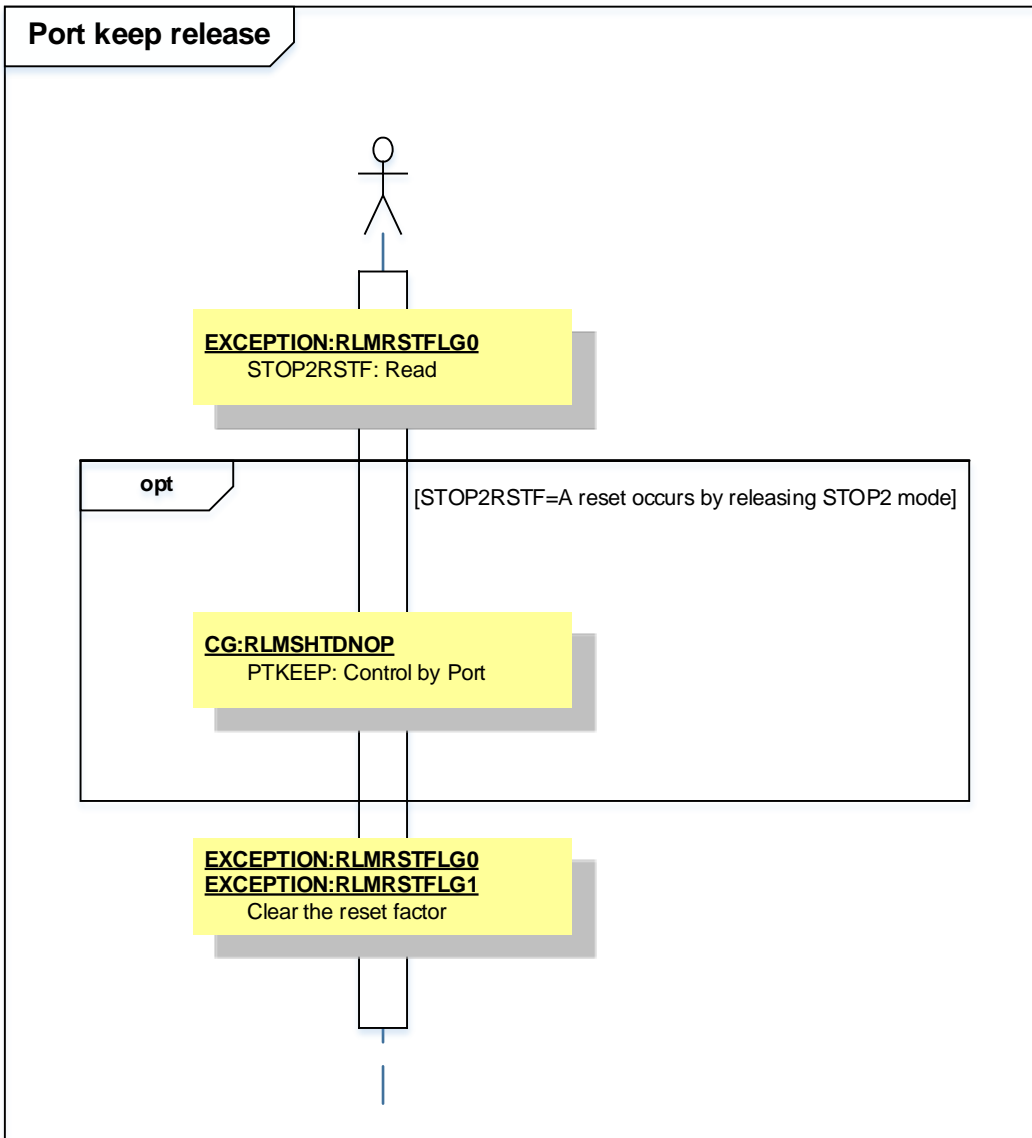












10. Precaution

When using the sample program with CPU other than TPM4G9F15, please check operation sufficiently.

11. Revision History

Rev	Date	Description
1.0	2018-11-26	First release

RESTRICTIONS ON PRODUCT USE

Toshiba Corporation and its subsidiaries and affiliates are collectively referred to as "TOSHIBA". Hardware, software and systems described in this document are collectively referred to as "Product".

- TOSHIBA reserves the right to make changes to the information in this document and related Product without notice.
- This document and any information herein may not be reproduced without prior written permission from TOSHIBA. Even with TOSHIBA's written permission, reproduction is permissible only if reproduction is without alteration/omission.
- Though TOSHIBA works continually to improve Product's quality and reliability, Product can malfunction or fail. Customers are responsible for complying with safety standards and for providing adequate designs and safeguards for their hardware, software and systems which minimize risk and avoid situations in which a malfunction or failure of Product could cause loss of human life, bodily injury or damage to property, including data loss or corruption. Before customers use the Product, create designs including the Product, or incorporate the Product into their own applications, customers must also refer to and comply with (a) the latest versions of all relevant TOSHIBA information, including without limitation, this document, the specifications, the data sheets and application notes for Product and the precautions and conditions set forth in the "TOSHIBA Semiconductor Reliability Handbook" and (b) the instructions for the application with which the Product will be used with or for. Customers are solely responsible for all aspects of their own product design or applications, including but not limited to (a) determining the appropriateness of the use of this Product in such design or applications; (b) evaluating and determining the applicability of any information contained in this document, or in charts, diagrams, programs, algorithms, sample application circuits, or any other referenced documents; and (c) validating all operating parameters for such designs and applications. **TOSHIBA ASSUMES NO LIABILITY FOR CUSTOMERS' PRODUCT DESIGN OR APPLICATIONS.**
- **PRODUCT IS NEITHER INTENDED NOR WARRANTED FOR USE IN EQUIPMENTS OR SYSTEMS THAT REQUIRE EXTRAORDINARILY HIGH LEVELS OF QUALITY AND/OR RELIABILITY, AND/OR A MALFUNCTION OR FAILURE OF WHICH MAY CAUSE LOSS OF HUMAN LIFE, BODILY INJURY, SERIOUS PROPERTY DAMAGE AND/OR SERIOUS PUBLIC IMPACT ("UNINTENDED USE").** Except for specific applications as expressly stated in this document, Unintended Use includes, without limitation, equipment used in nuclear facilities, equipment used in the aerospace industry, lifesaving and/or life supporting medical equipment, equipment used for automobiles, trains, ships and other transportation, traffic signaling equipment, equipment used to control combustions or explosions, safety devices, elevators and escalators, and devices related to power plant. **IF YOU USE PRODUCT FOR UNINTENDED USE, TOSHIBA ASSUMES NO LIABILITY FOR PRODUCT.** For details, please contact your TOSHIBA sales representative or contact us via our website.
- Product shall not be used for or incorporated into any products or systems whose manufacture, use, or sale is prohibited under any applicable laws or regulations.
- The information contained herein is presented only as guidance for Product use. No responsibility is assumed by TOSHIBA for any infringement of patents or any other intellectual property rights of third parties that may result from the use of Product. No license to any intellectual property right is granted by this document, whether express or implied, by estoppel or otherwise.
- **ABSENT A WRITTEN SIGNED AGREEMENT, EXCEPT AS PROVIDED IN THE RELEVANT TERMS AND CONDITIONS OF SALE FOR PRODUCT, AND TO THE MAXIMUM EXTENT ALLOWABLE BY LAW, TOSHIBA (1) ASSUMES NO LIABILITY WHATSOEVER, INCLUDING WITHOUT LIMITATION, INDIRECT, CONSEQUENTIAL, SPECIAL, OR INCIDENTAL DAMAGES OR LOSS, INCLUDING WITHOUT LIMITATION, LOSS OF PROFITS, LOSS OF OPPORTUNITIES, BUSINESS INTERRUPTION AND LOSS OF DATA, AND (2) DISCLAIMS ANY AND ALL EXPRESS OR IMPLIED WARRANTIES AND CONDITIONS RELATED TO SALE, USE OF PRODUCT, OR INFORMATION, INCLUDING WARRANTIES OR CONDITIONS OF MERCHANTABILITY, FITNESS FOR A PARTICULAR PURPOSE, ACCURACY OF INFORMATION, OR NONINFRINGEMENT.**
- Do not use or otherwise make available Product or related software or technology for any military purposes, including without limitation, for the design, development, use, stockpiling or manufacturing of nuclear, chemical, or biological weapons or missile technology products (mass destruction weapons). Product and related software and technology may be controlled under the applicable export laws and regulations including, without limitation, the Japanese Foreign Exchange and Foreign Trade Law and the U.S. Export Administration Regulations. Export and re-export of Product or related software or technology are strictly prohibited except in compliance with all applicable export laws and regulations.
- Please contact your TOSHIBA sales representative for details as to environmental matters such as the RoHS compatibility of Product. Please use Product in compliance with all applicable laws and regulations that regulate the inclusion or use of controlled substances, including without limitation, the EU RoHS Directive. **TOSHIBA ASSUMES NO LIABILITY FOR DAMAGES OR LOSSES OCCURRING AS A RESULT OF NONCOMPLIANCE WITH APPLICABLE LAWS AND REGULATIONS.**

TOSHIBA ELECTRONIC DEVICES & STORAGE CORPORATION

<https://toshiba.semicon-storage.com/>