

# Power Efficiency Optimization and Application Circuits Using Dual-power-supply LDO Regulators for the Power Supplies of MCUs, CMOS Image Sensors, and RF

## **Outline:**

This application note describes application circuits for low-dropout (LDO) regulators to maximize the efficiency of the power supplies for MCUs, CMOS image sensors, and RF (Wi-Fi®) circuits at low voltage and high current. Toshiba's TCR5BM and TCR8BM dual-power-supply LDO regulator series are used in application circuit examples.

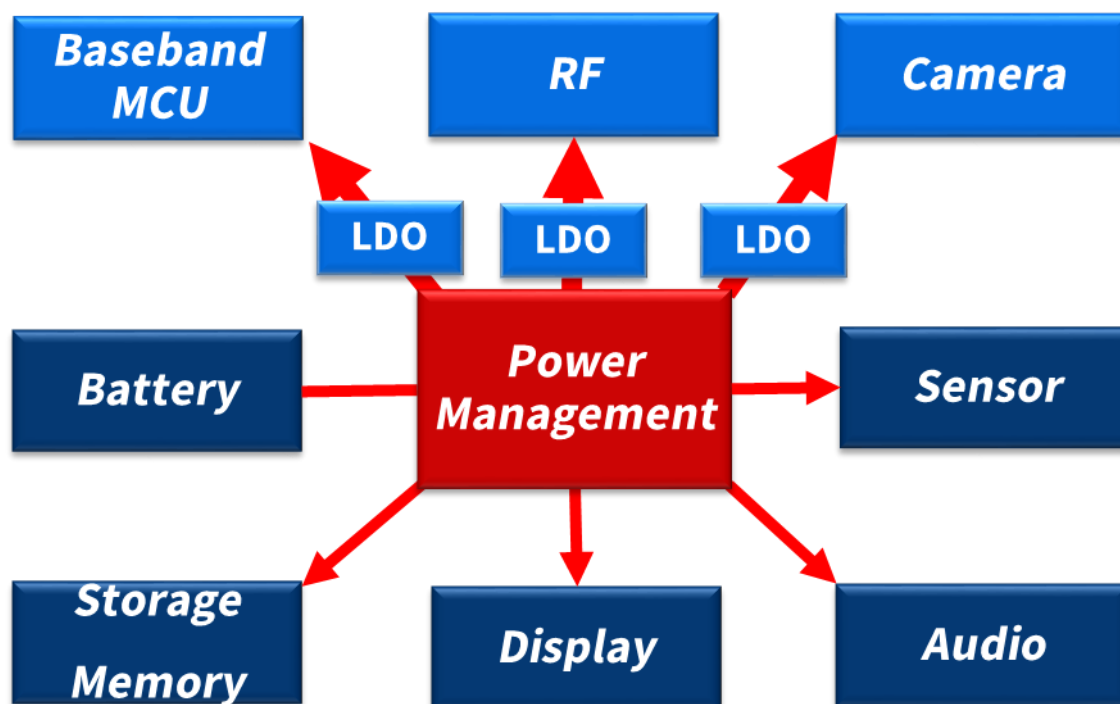
## Table of Contents

1. Introduction.....	3
2. Low-dropout characteristics required to maximize the power efficiency of an LDO regulator.....	4
2.1 What is dropout voltage?.....	4
2.2 Low-dropout characteristics of Dual-power-supply LDO regulators.....	6
2.3 VBIAS voltage vs. dropout voltage characteristics.....	7
3. Examples of application circuits using a Dual-power-supply LDO regulator for the power supplies of CMOS image sensors, MCUs, and RF circuits.....	8
3.1 Example of an application circuit for the power supply of CMOS image sensors.....	8
3.2 Example of an application circuit for the power supply of MCUs.....	8
3.3 Example of an application circuit for the power supply of RF circuits.....	9
4. Summary.....	9
RESTRICTIONS ON PRODUCT USE.....	10

## 1. Introduction

The average power consumption of mobile devices and other consumer electronics is generally reduced by controlling power supplies according to their power use. Since consumer electronics incorporate various electronic circuits including wireless communication, camera, display, audio, and storage circuits, it is necessary to effectively control their power supplies in order to obtain the optimum performance from each circuit. For this purpose, efficient use of power supply ICs is important.

Figure 1.1 Typical block diagram of consumer electronics  
Because power supply circuits are closely related to all the blocks,  
reducing their power consumption is crucial.



To prolong battery operating time and reduce heat dissipation, it is necessary to maximize the power efficiency of all the blocks.

Precise voltage conversion to roughly 1.0 V and high-current capability are required for the power supplies of CMOS image sensors, MCUs, and RF circuits. It is therefore extremely important to improve the power efficiency of LDO regulators. The following sections describe how to maximize power efficiency of LDO regulators.

## 2. Low-dropout characteristics required to maximize the power efficiency of an LDO regulator

### 2.1 What is dropout voltage?

For typical voltage regulation, the input voltage for an LDO regulator must be higher than the required output voltage. Dropout voltage is defined as the minimum input-output voltage differential required to maintain output voltage regulation at a desired output current. Therefore, dropout voltage is also referred to as the minimum input-output voltage differential. Table 2.1 is an example of a dropout voltage table.

Table 2.1 Dropout voltage of the TCR5BM series (excerpt from the datasheet)

Output voltages	VBIAS input voltage	I <sub>OUT</sub> = 500 mA			Unit
		Min	Typ.	Max (Note 10)	
0.8 V, 0.85 V	3.3 V	—	90	125	mV
0.9 V, 0.95 V	3.3 V	—	95	130	mV
1.0 V	3.3 V	—	95	135	mV
1.05 V, 1.1 V	3.3 V	—	100	140	mV
1.15 V	3.3 V	—	100	145	mV
1.2 V	3.3 V	—	105	150	mV

#### Reading a dropout voltage table

Suppose that you want to use an LDO regulator at V<sub>OUT</sub> = 1.2 V and I<sub>OUT</sub> = 500 mA. In this case, the maximum dropout voltage is 150 mV. Hence,

$$\text{Minimum input voltage} = 1.2 \text{ V} + 0.15 \text{ V} = 1.35 \text{ V}$$

Therefore, input voltage must be 1.35 V or higher, and V<sub>BIAS</sub> must be over 3.3 V.

#### 2.1.1 Formula for calculating the power loss of an LDO regulator

The equation for calculating the power loss of an LDO regulator is shown below. When the supply current of an LDO regulator is considerably lower than its output current, it exhibits a power loss equal to dropout voltage (V<sub>IN</sub> - V<sub>OUT</sub>) multiplied by output current. In this case, a power loss can be reduced by selecting an LDO regulator with low dropout voltage and minimizing its input voltage.

$$\begin{aligned} \text{Power loss of an LDO regulator} &= (\text{input power}) - (\text{output power}) \\ &= (V_{IN} \times I_{IN}) - (V_{OUT} \times I_{OUT}) \end{aligned}$$

\* When supply current  $\ll$  I<sub>OUT</sub>, I<sub>IN</sub>  $\approx$  I<sub>OUT</sub>

$$\approx (V_{IN} - V_{OUT}) \times I_{OUT}$$

This is the minimum dropout voltage.

#### 2.1.2 Formula for calculating the power efficiency of an LDO regulator

The equation for calculating the power efficiency of an LDO regulator is shown below. Power efficiency is defined as output power/input power. Therefore, when the supply current of an LDO regulator is considerably smaller than its output current, power efficiency can be approximated to V<sub>OUT</sub>/V<sub>IN</sub>. It is therefore important to minimize V<sub>IN</sub> as is the case for reducing a power loss. This means that selecting an LDO regulator with low dropout voltage is important.

$$\text{Power efficiency of an LDO regulator} = \frac{\text{Output power}}{\text{Input power}} = \frac{V_{\text{OUT}} \times I_{\text{OUT}}}{V_{\text{IN}} \times I_{\text{IN}}}$$

\* When supply current  $\ll I_{\text{OUT}}$ ,  $I_{\text{IN}} \approx I_{\text{OUT}}$

$$\approx \frac{V_{\text{OUT}}}{V_{\text{IN}}} \text{ (i.e., the ratio of input voltage to output voltage)}$$

## 2.2 Low-dropout characteristics of dual-power-supply LDO regulators

A conventional LDO regulator has a single power supply ( $V_{IN}$ ), which is used to drive the gate of an internal P-channel MOSFET as shown below. Consequently, when the  $V_{IN}$  voltage is low, the MOSFET gate voltage decreases to a level that makes it impossible for the LDO regulator to maintain a regulated output voltage. In contrast, dual-power-supply LDO regulators such as the TCR5BM series incorporate an N-channel MOSFET to reduce on-resistance. In addition to  $V_{IN}$ , dual-power-supply LDO regulators have a pin called VBIAS that drives the gate of the internal MOSFET. Being independent of the  $V_{IN}$  input, the VBIAS pin helps reduce dropout voltage. This makes it possible to reduce the input voltage, considerably reducing power loss. Dual-power-supply LDO regulators provide precise voltage regulation with minimum power loss. The next subsection discusses the changes in characteristics over a range of voltage applied to the VBIAS pin.

Table 2.2 Comparison between single- and dual-power-supply LDO regulators

Type of LDO regulator	Single-power-supply LDO regulators	Dual-power-supply LDO regulators																								
Internal MOSFET polarity	P-channel	N-channel																								
Power supplies	Only $V_{IN}$	$V_{IN}$ , VBIAS																								
Dropout characteristics	The gate voltage for the internal P-channel MOSFET is supplied from $V_{IN}$ .	The gate voltage for the internal N-channel MOSFET is supplied from the VBIAS pin. This circuit configuration reduces the MOSFET on-resistance and dropout voltage.																								
Dropout voltage characteristics ( $V_{OUT} = 1.0\text{ V}$ )	<p>Dropout voltage vs Output current <math>V_{OUT} = 1.0\text{ V}</math></p> <table border="1"> <caption>TCR3DM Dropout Voltage Data</caption> <thead> <tr> <th>Output current (A)</th> <th>Dropout voltage (V)</th> </tr> </thead> <tbody> <tr><td>0.0</td><td>0.0</td></tr> <tr><td>0.1</td><td>0.2</td></tr> <tr><td>0.2</td><td>0.4</td></tr> <tr><td>0.3</td><td>0.6</td></tr> </tbody> </table>	Output current (A)	Dropout voltage (V)	0.0	0.0	0.1	0.2	0.2	0.4	0.3	0.6	<p>Dropout voltage vs Output current <math>V_{OUT} = 1.0\text{ V}</math>, VBIAS = 3.3V</p> <table border="1"> <caption>TCR5BM Dropout Voltage Data</caption> <thead> <tr> <th>Output current (A)</th> <th>Dropout voltage (V)</th> </tr> </thead> <tbody> <tr><td>0.0</td><td>0.05</td></tr> <tr><td>0.1</td><td>0.05</td></tr> <tr><td>0.2</td><td>0.05</td></tr> <tr><td>0.3</td><td>0.05</td></tr> <tr><td>0.4</td><td>0.05</td></tr> <tr><td>0.5</td><td>0.05</td></tr> </tbody> </table>	Output current (A)	Dropout voltage (V)	0.0	0.05	0.1	0.05	0.2	0.05	0.3	0.05	0.4	0.05	0.5	0.05
Output current (A)	Dropout voltage (V)																									
0.0	0.0																									
0.1	0.2																									
0.2	0.4																									
0.3	0.6																									
Output current (A)	Dropout voltage (V)																									
0.0	0.05																									
0.1	0.05																									
0.2	0.05																									
0.3	0.05																									
0.4	0.05																									
0.5	0.05																									

## 2.3. VBIAS voltage vs. Dropout voltage characteristics

Figure 2.3 shows the  $V_{BIAS}$ -vs-dropout voltage curves of the TCR5BM12 (with  $V_{OUT}=1.2\text{ V}$ ) at different temperatures. As shown in Figure 2.3, as  $V_{BIAS}$  increases, dropout voltage decreases. Figure 2.3.1 and Figure 2.3.2 show examples of a circuit with  $V_{BIAS} = 3.3\text{ V}$  and  $V_{BIAS} = 5.5\text{ V}$ , respectively. Increasing  $V_{BIAS}$  from 3.3 V to 5.5 V makes it possible to reduce  $V_{IN}$  and thereby improve power efficiency. Be sure to check the “Dropout voltage” table provided in a datasheet when using  $V_{IN}$  at low voltage.

If the power supply to the VBIAS pin is connected to other loads in parallel, a sudden change in any of their load currents could cause an instantaneous drop in the VBIAS voltage. In order to maintain the VBIAS pin at a proper voltage even in this situation, a 1- $\mu\text{F}$  or greater capacitor should be added to the VBIAS pin.

Figure 2.3 Dropout voltage  
TCR5BM12 ( $V_{OUT} = 1.2\text{ V}, 500\text{ mA}$ )

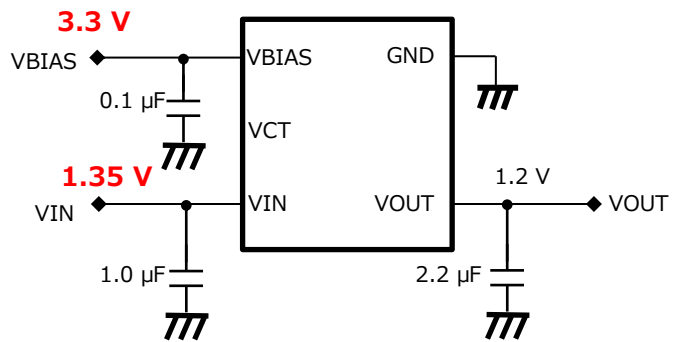
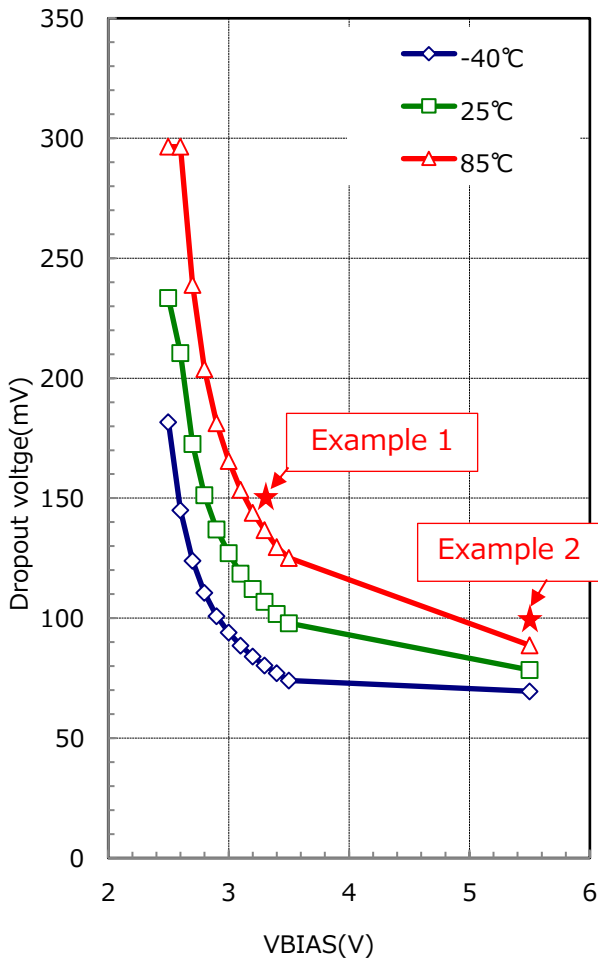


Figure 2.3.1 TCR5BM12 circuit example 1

$V_{IN} = 1.35\text{ V}$  and  $V_{OUT} = 1.2\text{ V}$  when  $V_{BIAS} \geq 3.3\text{ V}$   
89% power efficiency at  $I_{OUT} = 500\text{ mA}$

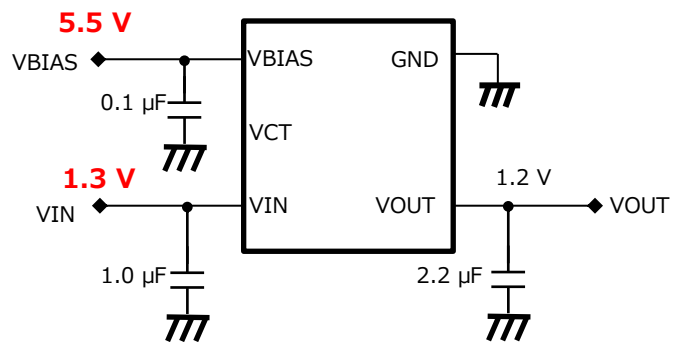


Figure 2.3.2 TCR5BM12 circuit example 2

$V_{IN} = 1.3\text{ V}$  and  $V_{OUT} = 1.2\text{ V}$  when  $V_{BIAS} = 5.5\text{ V}$   
92% power efficiency at  $I_{OUT} = 500\text{ mA}$

### 3. Examples of application circuits using a dual-power-supply LDO regulator for the power supplies of CMOS image sensors, MCUs, and RF circuits

The following subsections show typical application circuits to obtain the best performance from the TCR5BM and TCR8BM LDO regulators with low dropout characteristics. These application circuits are for the power supplies of CMOS image sensors, MCUs, and RF circuits.

#### 3.1 Example of an application circuit for the power supply of CMOS image sensors

Application circuit with a power efficiency of 89%

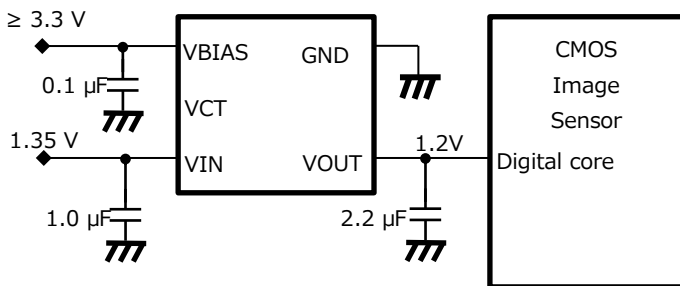


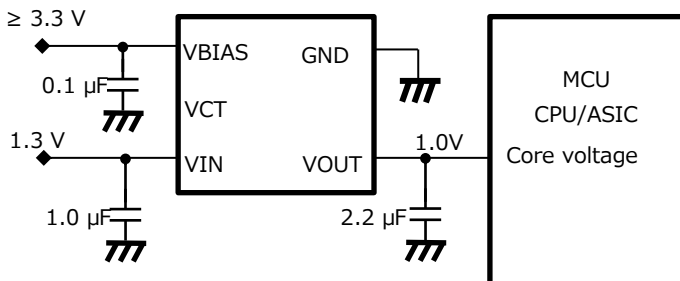
Figure 3.1 TCR5BM12A for CMOS image sensor

Part number	TCR5BM12A
Power loss	75 mW
Power efficiency	89% ( $V_{OUT}/V_{IN}$ )
VIN	1.35 V
VBIAS	3.3 V
VOUT	1.2 V
IOUT	500 mA
CIN	1 $\mu$ F
CBIAS	0.1 $\mu$ F
COUT	2.2 $\mu$ F

The above application circuit example is intended only as a guide. For load transient response, ripple rejection ratio, and other characteristics, see the application note LDO Regulator Application Circuits for the Power Supplies of CMOS Image Sensors, which will shortly be released.

#### 3.2 Example of an application circuit for the power supply of MCUs

Application circuit with a power efficiency of 77%



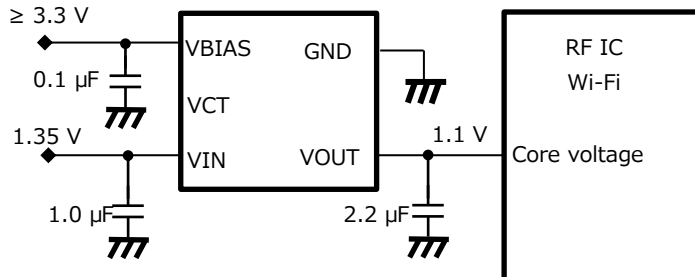
Part number	TCR8BM10A
Power losses	240 mW
Power efficiency	77% ( $V_{OUT}/V_{IN}$ )
VIN	1.3 V
VBIAS	3.3 V
VOUT	1.0 V
IOUT	800 mA
CIN	1 $\mu$ F
CBIAS	0.1 $\mu$ F
COUT	2.2 $\mu$ F

The above application circuit example is intended only as a guide. For load transient response, ripple rejection ratio, and other characteristics, see the application note LDO Regulator Application Circuits for the Power Supplies of MCUs, which will shortly be released.



### 3.3 Example of an application circuit for the power supply of RF circuits

Application circuit with a power efficiency of 81%



Part number	TCR5BM11A
Power losses	125 mW
Power efficiency	81% ( $V_{OUT}/V_{IN}$ )
VIN	1.35 V
VBIAS	3.3 V
VOUT	1.1 V
IOUT	500 mA
CIN	1 $\mu$ F
CBIAS	0.1 $\mu$ F
COUT	2.2 $\mu$ F

The above application circuit example is intended only as a guide. For load transient response, ripple rejection ratio, and other characteristics, see the application note LDO Regulator Application Circuits for the Power Supplies of RF Circuits, which will shortly be released.

## 4. Summary

Toshiba's dual-power-supply LDO regulators provide a high-current and low-voltage output with high power efficiency and low power loss. These LDO regulators are ideal for the power supplies of the digital cores in CMOS image sensors, MCU cores, and RF circuits. See datasheets for detailed electrical characteristics.

Dual-power-supply low-dropout LDO regulators that provide high power efficiency:

To download the datasheet for the TCR5BM 500-mA LDO regulator → [Click Here](#)

To download the datasheet for the TCR8BM 800-mA LDO regulator → [Click Here](#)

To download the datasheet for the TCR13AGADJ 1.3-A LDO regulator → [Click Here](#)

To download the datasheet for the TCR15AG 1.5-A LDO regulator → [Click Here](#)

See the application note Low-Dropout (LDO) Regulator ICs for how to use LDO regulators.

To download the application note Low-Dropout (LDO) Regulator ICs → [Click Here](#)

To view the lineup of other LDO regulators → [Click Here](#)

## RESTRICTIONS ON PRODUCT USE

Toshiba Corporation and its subsidiaries and affiliates are collectively referred to as "TOSHIBA".

Hardware, software and systems described in this document are collectively referred to as "Product".

- TOSHIBA reserves the right to make changes to the information in this document and related Product without notice.
- This document and any information herein may not be reproduced without prior written permission from TOSHIBA. Even with TOSHIBA's written permission, reproduction is permissible only if reproduction is without alteration/omission.
- Though TOSHIBA works continually to improve Product's quality and reliability, Product can malfunction or fail. Customers are responsible for complying with safety standards and for providing adequate designs and safeguards for their hardware, software and systems which minimize risk and avoid situations in which a malfunction or failure of Product could cause loss of human life, bodily injury or damage to property, including data loss or corruption. Before customers use the Product, create designs including the Product, or incorporate the Product into their own applications, customers must also refer to and comply with (a) the latest versions of all relevant TOSHIBA information, including without limitation, this document, the specifications, the data sheets and application notes for Product and the precautions and conditions set forth in the "TOSHIBA Semiconductor Reliability Handbook" and (b) the instructions for the application with which the Product will be used with or for. Customers are solely responsible for all aspects of their own product design or applications, including but not limited to (a) determining the appropriateness of the use of this Product in such design or applications; (b) evaluating and determining the applicability of any information contained in this document, or in charts, diagrams, programs, algorithms, sample application circuits, or any other referenced documents; and (c) validating all operating parameters for such designs and applications. **TOSHIBA ASSUMES NO LIABILITY FOR CUSTOMERS' PRODUCT DESIGN OR APPLICATIONS.**
- **PRODUCT IS NEITHER INTENDED NOR WARRANTED FOR USE IN EQUIPMENTS OR SYSTEMS THAT REQUIRE EXTRAORDINARILY HIGH LEVELS OF QUALITY AND/OR RELIABILITY, AND/OR A MALFUNCTION OR FAILURE OF WHICH MAY CAUSE LOSS OF HUMAN LIFE, BODILY INJURY, SERIOUS PROPERTY DAMAGE AND/OR SERIOUS PUBLIC IMPACT ("UNINTENDED USE").** Except for specific applications as expressly stated in this document, Unintended Use includes, without limitation, equipment used in nuclear facilities, equipment used in the aerospace industry, lifesaving and/or life supporting medical equipment, equipment used for automobiles, trains, ships and other transportation, traffic signaling equipment, equipment used to control combustions or explosions, safety devices, elevators and escalators, and devices related to power plant. **IF YOU USE PRODUCT FOR UNINTENDED USE, TOSHIBA ASSUMES NO LIABILITY FOR PRODUCT.** For details, please contact your TOSHIBA sales representative or contact us via our website.
- Do not disassemble, analyze, reverse-engineer, alter, modify, translate or copy Product, whether in whole or in part.
- Product shall not be used for or incorporated into any products or systems whose manufacture, use, or sale is prohibited under any applicable laws or regulations.
- The information contained herein is presented only as guidance for Product use. No responsibility is assumed by TOSHIBA for any infringement of patents or any other intellectual property rights of third parties that may result from the use of Product. No license to any intellectual property right is granted by this document, whether express or implied, by estoppel or otherwise.
- **ABSENT A WRITTEN SIGNED AGREEMENT, EXCEPT AS PROVIDED IN THE RELEVANT TERMS AND CONDITIONS OF SALE FOR PRODUCT, AND TO THE MAXIMUM EXTENT ALLOWABLE BY LAW, TOSHIBA (1) ASSUMES NO LIABILITY WHATSOEVER, INCLUDING WITHOUT LIMITATION, INDIRECT, CONSEQUENTIAL, SPECIAL, OR INCIDENTAL DAMAGES OR LOSS, INCLUDING WITHOUT LIMITATION, LOSS OF PROFITS, LOSS OF OPPORTUNITIES, BUSINESS INTERRUPTION AND LOSS OF DATA, AND (2) DISCLAIMS ANY AND ALL EXPRESS OR IMPLIED WARRANTIES AND CONDITIONS RELATED TO SALE, USE OF PRODUCT, OR INFORMATION, INCLUDING WARRANTIES OR CONDITIONS OF MERCHANTABILITY, FITNESS FOR A PARTICULAR PURPOSE, ACCURACY OF INFORMATION, OR NONINFRINGEMENT.**
- Do not use or otherwise make available Product or related software or technology for any military purposes, including without limitation, for the design, development, use, stockpiling or manufacturing of nuclear, chemical, or biological weapons or missile technology products (mass destruction weapons). Product and related software and technology may be controlled under the applicable export laws and regulations including, without limitation, the Japanese Foreign Exchange and Foreign Trade Law and the U.S. Export Administration Regulations. Export and re-export of Product or related software or technology are strictly prohibited except in compliance with all applicable export laws and regulations.
- Please contact your TOSHIBA sales representative for details as to environmental matters such as the RoHS compatibility of Product. Please use Product in compliance with all applicable laws and regulations that regulate the inclusion or use of controlled substances, including without limitation, the EU RoHS Directive. **TOSHIBA ASSUMES NO LIABILITY FOR DAMAGES OR LOSSES OCCURRING AS A RESULT OF NONCOMPLIANCE WITH APPLICABLE LAWS AND REGULATIONS.**

## TOSHIBA ELECTRONIC DEVICES & STORAGE CORPORATION

<https://toshiba.semicon->