

Dear Customers,

March, 2019

Data sheet Correction: ADC of TX03,TX04 Series

This informs you that we found the following corrections should be made to the datasheets as shown below. If you have any questions or require any further information, please contact your local Toshiba representatives.

1. Products

M370 group

| | | | | |
|-----------|-----------|-----------|-----------|-----------|
| TMPM370FY | TMPM372FW | TMPM373FW | TMPM374FW | TMPM375FS |
| TMPM376FD | TMPM37AFS | | | |

M380 group

| | | | | |
|-----------|-----------|-----------|-----------|-----------|
| TMPM380FD | TMPM380FY | TMPM380FW | TMPM381FW | TMPM383FS |
| TMPM383FW | TMPM384FD | | | |

M470 group

| | | | | |
|-----------|-----------|-----------|-----------|-----------|
| TMPM470FD | TMPM470FZ | TMPM470FY | TMPM475FD | TMPM475FZ |
| TMPM475FY | | | | |

2. Data sheet correction

Example: TMPM380FY

[Error 1]

15.5.2 Starting AD Conversion

If the PMD trigger occurs while an AD conversion is in progress, the PMD trigger is handled stop the ongoing program and start AD conversion correspond to PMD trigger number.

If a higher-priority trigger occurs while an AD conversion is in progress, the higher-priority trigger is handled after the ongoing program is completed.

[Correction 1]

15.5.2 Starting AD Conversion

When a higher-priority trigger occurs while an AD conversion is in progress, a higher-priority trigger is handled stop the ongoing program and start AD conversion correspond to a higher-priority trigger number.

When the PMD trigger occurs while a PMD triggered AD conversion is in progress, the PMD trigger is handled after the ongoing program is completed.

[Error2]

15.6.3 AD conversion by trigger

If the PMD trigger is occurred during the software trigger conversion, the ongoing conversion stops immediately.(Figure 15-7) If the timer trigger is occurred during the software trigger conversion, the ongoing conversion stops after the completion of ongoing conversion. (Figure 15-8) After the completion of conversion by trigger, the software trigger conversion starts from the beginning programmed by ADSSET03, ADSSET47 and ADSSET811.(Figure 15-9)

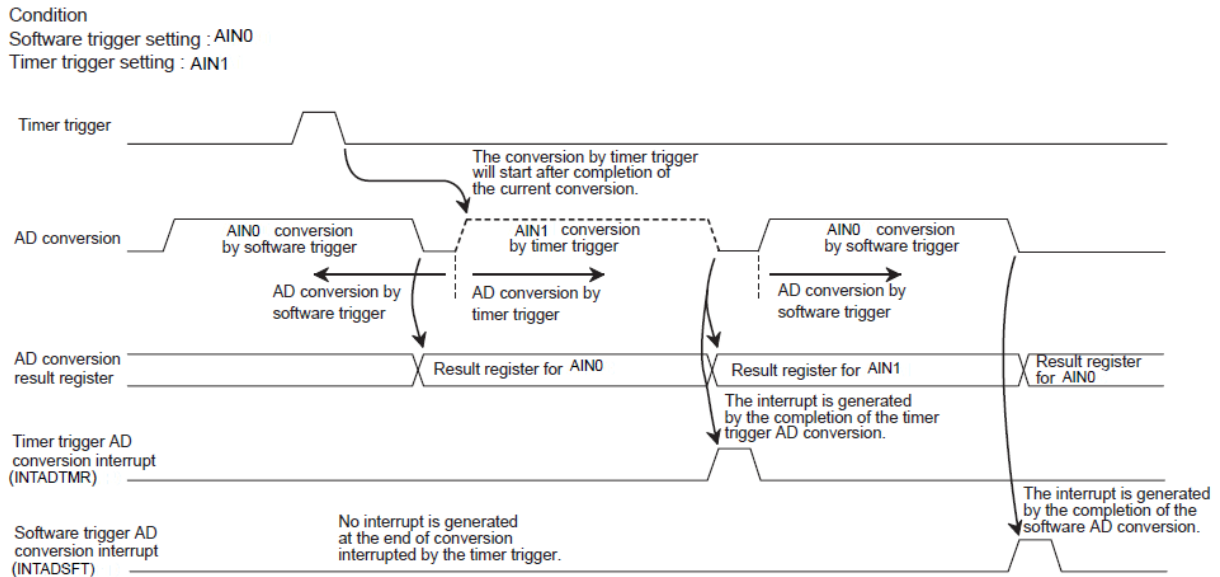


Figure 15-8 AD conversion by timer trigger (1)

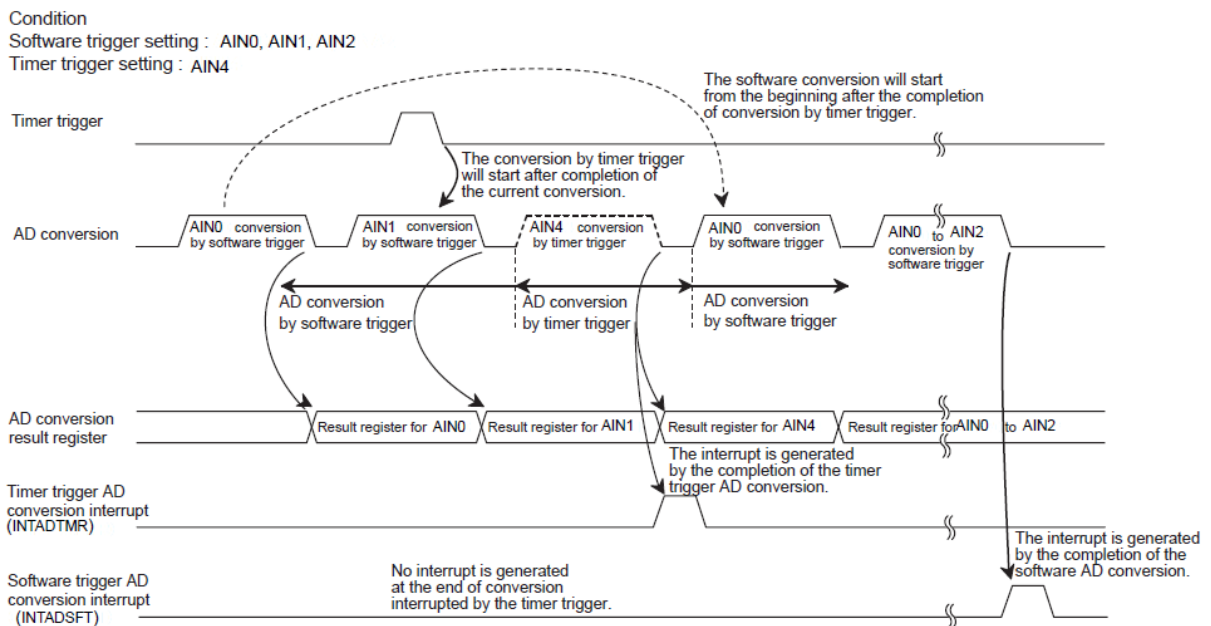


Figure 15-9 AD conversion by timer trigger (2)

[Correction 2]

15.6.3 AD conversion by trigger

When the PMD trigger is occurred during the software trigger conversion, the ongoing conversion stops immediately and start AD conversion correspond to PMD trigger.(Figure 15-7) After the completion of conversion by PMD trigger, the software trigger conversion starts from the beginning programmed setting. When the timer trigger is occurred, also same response.(Figure 15-8)

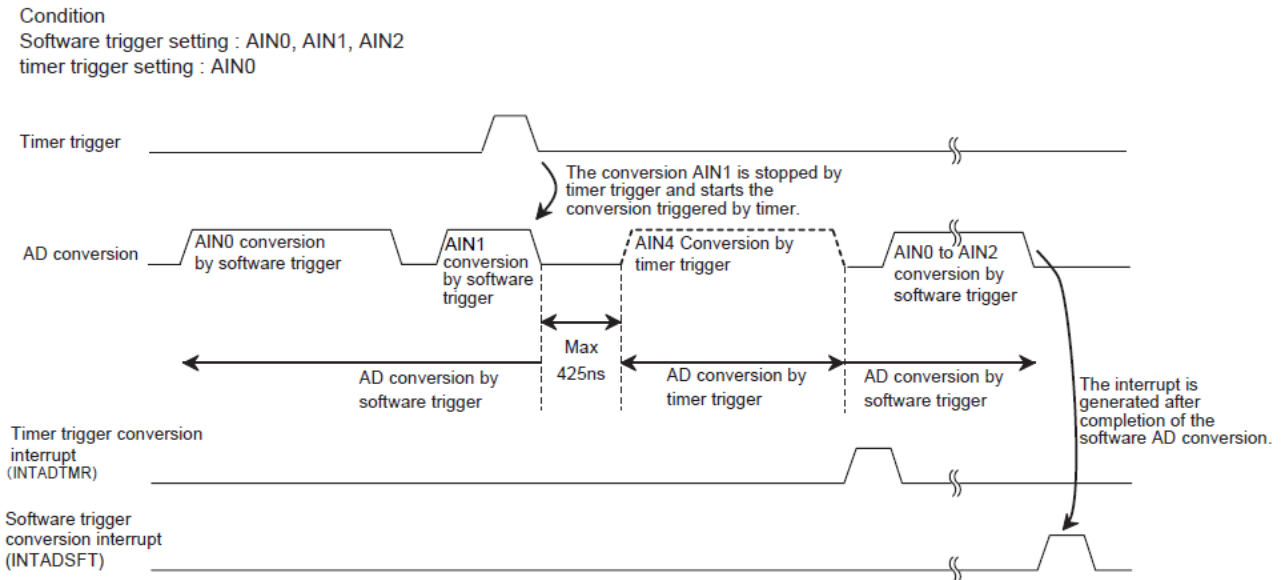


Figure 15-8 AD conversion by timer trigger

Note: When Timer trigger is not use, do not use INTTB51.

<< Figure 15-9 AD conversion by timer trigger (2) is deleted >>