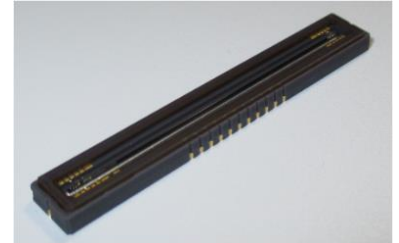


Launch of lens reduction type, 5340-pixel by 3 line linear image sensor for office automation and industrial equipment

Toshiba Electronic Devices & Storage Corporation ("Toshiba") has launched "TCD2569BFG", a lens reduction type, 5340-pixel by 3-line color CCD linear image sensor for office automation and industrial equipment, and has started the mass production.

"TCD2569BFG" offers high image quality with less color registration by reducing the spacing between pixel arrays (red – green, green – blue). A built-in sample and hold circuit lengthens the video output signal period of the sensor and contributes to easier design of high speed scanners for use in office automation and industrial equipment.



Three features

- 2-line spacing between pixel arrays (red – green, green – blue) (10.5µm)
- Longer video output signal period with built-in sample and hold circuit
- Maximum output signal voltage of 1.8 volts with clipping function

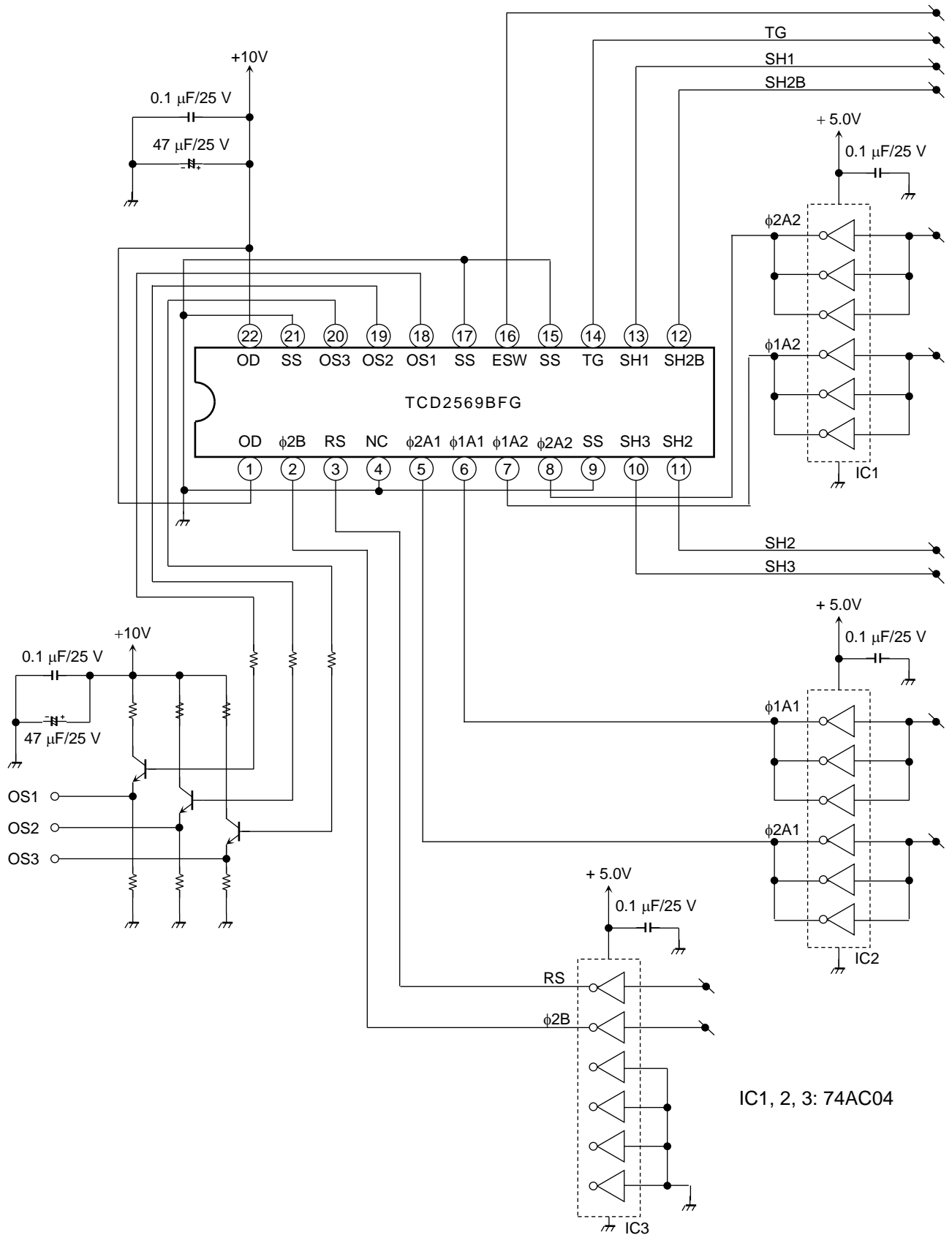
Applications

A4-size multifunction printers, image scanners, input devices for measuring equipment and color sorting machine

Product specifications

Part number	TCD2569BFG
Pixel size	5.25µm by 5.25µm
Line spacing (line distance)	2-line spacing (10.5µm)
Effective pixel number	5340-pixel by 3 lines
Sensitivity (A light source + CM500S)	Red: 13.2V/lx·s, Green: 15.0V/lx·s, Blue: 5.9V/lx·s
Maximum clock pulse frequency	35 MHz
Power supply voltage (operating range)	9.5V to 10.5V
Maximum output voltage	1.8V
Saturation output voltage of CCD shift register	4.0V (min)
Others / additional features	Sample and hold circuit Clamp circuit Output fluctuation reduction at power-on

Example of Application Circuit



Note: The application circuit is provided for reference purposes only. Especially, thorough evaluation is required on the phase of mass production design. Providing these application circuit examples does not grant a license for industrial property rights.

Before creating and producing designs and using, customers must also refer to and comply with the latest versions of all relevant information of this document and the instructions for the application that Product will be used with or for.