

TB67H450FNG

Usage Considerations

Description

The TB67H450FNG is a PWM chopper type brushed DC motor driver.

This product includes one channel of motor output block.

Low ON-resistance MOSFETs and a PWM control help the TB67H450FNG exhibit lower heat generation thus efficient motor drive.

Furthermore, the TB67H450FNG has two inputs, IN1 and IN2, which allow for selection of the four operation modes; forward (clockwise), reverse (counter-clockwise), short brake, and stop modes.

Table of Contents

Description	1
Table of Contents	2
1. Power Supply Voltage	4
1.1. Operating Power Supply Voltage Range.....	4
1.2. Power Supply Sequence	4
2. Output Current.....	4
3. Control Inputs	4
4. Direct PWM Control.....	5
4.1. Input and Output Functions	5
4.2. Standby Mode.....	5
5. Constant Current PWM Control	6
5.1. Constant Current Control Type (Mixed Decay)	6
5.2. Waveform of Mixed Decay Mode	7
6. Switching Characteristics.....	8
7. Application Circuit Example	9
7.1. Application Circuit Example brushed DC motor drive	9
7.2. Stepping motor drive	9
7.3. Capacitor for Power Supply Pin	10
7.4. Current Detection Resistor	10
7.5. Wiring Pattern for Power Supply and GND	11
7.6. Fuse.....	11
8. Fault Detection	12
9. Power consumption of IC.....	13
10. Power Dissipation.....	14
11. Reference Land Pattern	15
12. Board dimensions.....	16
12.1. Input.....	16
12.2. Main parts	16
12.3. PCB options.....	17
Notes on Contents.....	18
IC Usage Considerations.....	18
Notes on handling of ICs	18
Points to remember on handling of ICs	19
RESTRICTIONS ON PRODUCT USE	20

List of Figures

Figure 1.1 Operating power supply voltage range.....	4
Figure 4.1 Standby mode operation	5
Figure 5.1 Current waveform of Mixed Decay Mode.....	6
Figure 5.2 Current waveform of Mixed Decay Mode (when the set current value increases).....	7
Figure 5.3 Current waveform of Mixed Decay Mode (when the set current value decreases).....	7
Figure 6.1 Switching characteristics	8
Figure 7.1 Application circuit example (Brushed DC motor)	9
Figure 7.2 Application circuit example (stepping motor)	9
Figure 8.1 Operation of over current detection.....	12
Figure 12.1 Input.....	16
Figure 12.2 Main parts	16
Figure 12.3 PCB options.....	17

List of Tables

Table 4.1 Input and output functions.....	5
Table 6.1 Switching characteristics.....	8
Table 7.1 Recommended capacitor values for power supply pin.....	10
Table 7.2 Recommended values for current detection resistor.....	10

1. Power Supply Voltage

1.1. Operating Power Supply Voltage Range

In using TB67H450FNG, the voltage should be applied to the pins of VM and VREF. The absolute maximum rating of VM supply voltage is 50V (no active). The usage range is 4.5 to 44V. The absolute maximum rating of VREF supply voltage is 5V. The usage range is 0 to 4V.

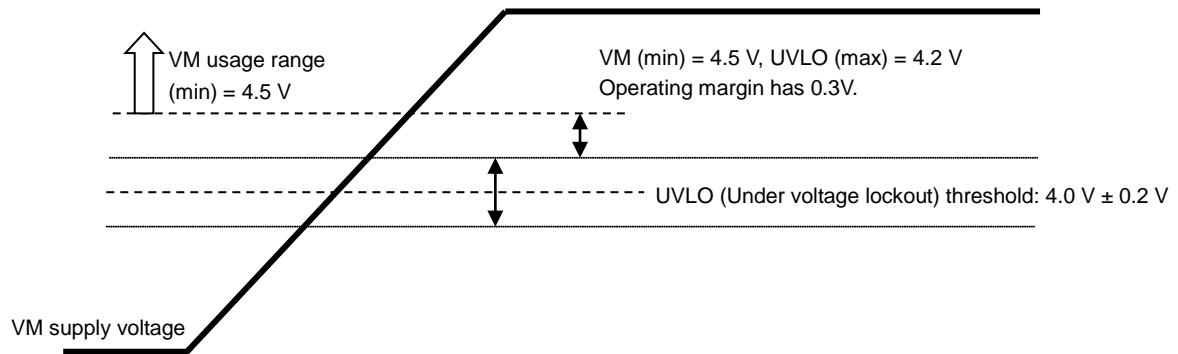


Figure 1.1 Operating power supply voltage range

1.2. Power Supply Sequence

There are no special procedures of inputting a power supply and shutdown because the TB67H450FNG incorporates the under voltage lockout (UVLO). However, under the unstable state of inputting the power supply (VM) and shutdown (transient area), setting the motor operation to OFF state is recommended. After the power supply is in the stable state, the motor should be operated by switching the input signal.

2. Output Current

The absolute maximum rating of motor output current is 3.5A (Peak current is 6.2A ($t_w \leq 500\text{ns}$)). Its operating range is 3A or less. The maximum current of the actual usage is limited depending on the usage conditions (the ambient temperature, the wiring pattern of the board, the radiation path, and the exciting design). Configure the most appropriate current value after calculating the heat and evaluating the board under the operating environment.

3. Control Inputs

When the logic signal is input under the condition that the voltage of VM is not supplied, the electromotive force by an input signal is not generated. However, configure the input signal low level before the power supply is applied by referring to the description of the “1.2 Power Supply Sequence”.

4. Direct PWM Control

4.1. Input and Output Functions

A speed of the motor can be controlled by Inputting PWM signal to pins IN1 and IN2, and operating them with PWM control.

When the constant current function is disabled, RS pin should be connected to GND, and the voltage of 1 to 5V should be applied to VREF pin.

Table 4.1 Input and output functions

IN1	IN2	OUT1	OUT2	Mode
L	L	OFF (Hi-Z)	OFF (Hi-Z)	Stop
				Standby mode after elapsing 1 ms
H	L	H	L	Forward
L	H	L	H	Reverse
H	H	L	L	Short brake

Current path: Forward: OUT1 to OUT2, Reverse: OUT2 to OUT1

4.2. Standby Mode

When both IN1 and IN2 pins are set to L for 1 ms (typ.) or more, the operation mode enters into the standby mode. When IN1 or IN2 is set to H, the mode returns from the standby mode, and enters to the operation mode.

Maximum 30 μ s are required for the return time from the standby release.

The OUT1 and OUT2 outputs operate after 30 μ s (max) from the standby release.

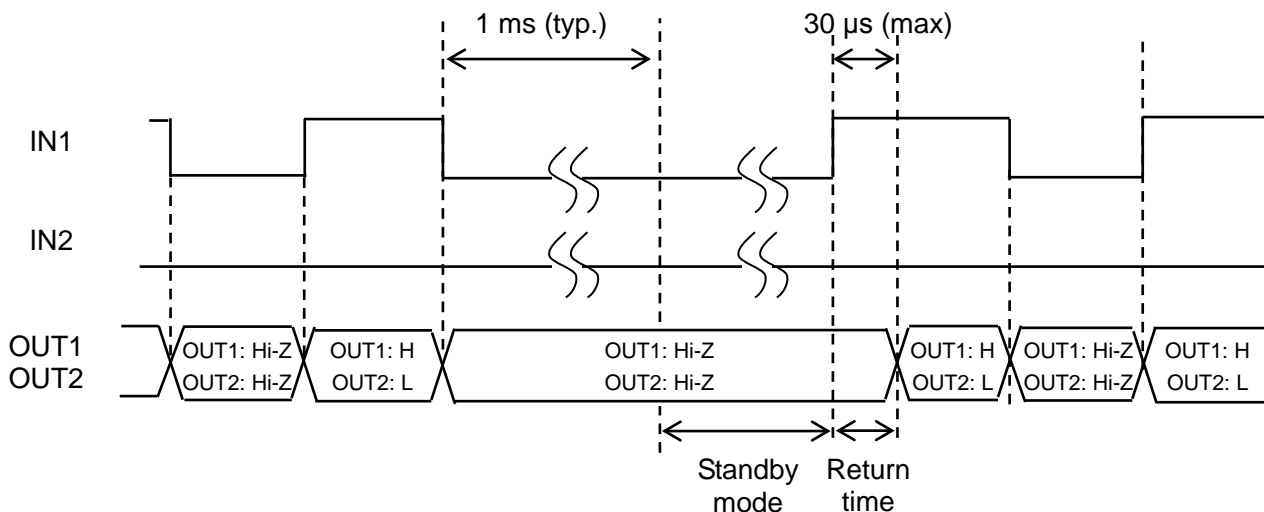


Figure 4.1 Standby mode operation

5. Constant Current PWM Control

5.1. Constant Current Control Type (Mixed Decay)

In this product, a constant current threshold (NFth) is set by the current detection resistor between RS and GND, and VREF input voltage.

When the output current reaches the threshold due to forward rotation and reverse rotation, the constant current control is performed in Mixed Decay mode.

In case of the constant current control, the OFF time (toff) is fixed to 25 μ s (typ.) to determine the pulse width of the current (current pulsating flow). The percentage of Mixed Decay Mode is as follows; Fast Mode: 50% to Slow Mode: 50%.

For the constant current setting, refer to Section 7.4

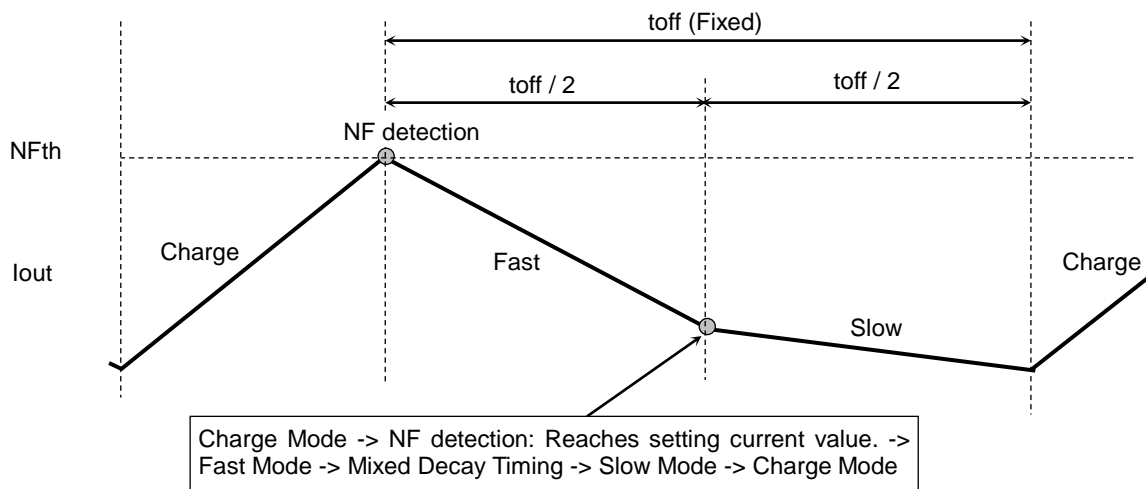


Figure 5.1 Current waveform of Mixed Decay Mode

If the output current is zero-detected in Fast Mode, the outputs are in High impedance.

Timing charts may be simplified for explanatory purposes.

5.2. Waveform of Mixed Decay Mode

- When the set current value increases
(Mixed Decay timing: OFF time is fixed, Fast: 50%/Slow: 50%)

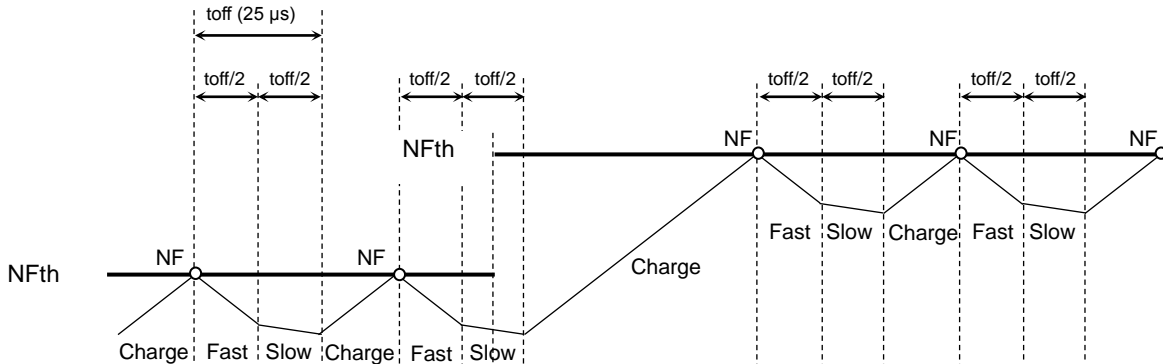


Figure 5.2 Current waveform of Mixed Decay Mode (when the set current value increases)

- When the set current value decreases
(Mixed Decay timing: OFF time is fixed, Fast: 50%/Slow: 50%)

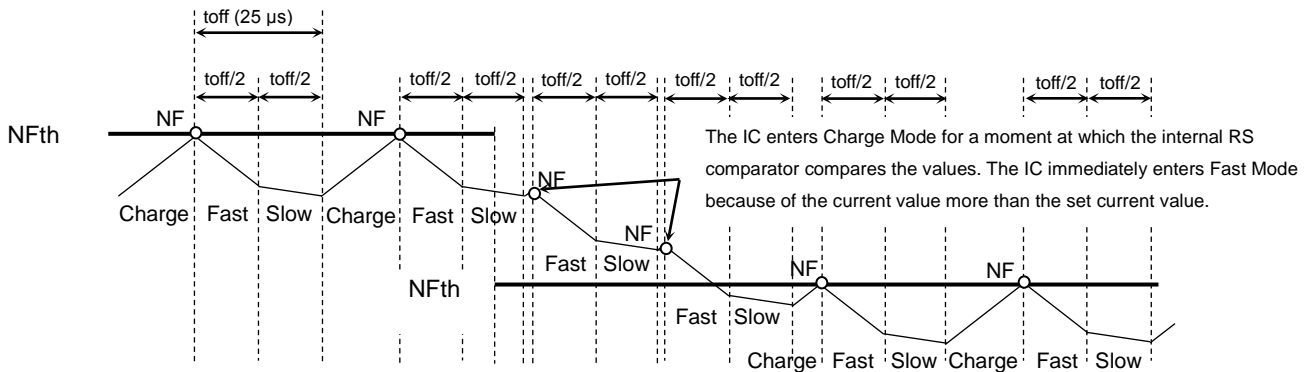


Figure 5.3 Current waveform of Mixed Decay Mode (when the set current value decreases)

When the Charge period starts and the output current reaches the set value, the RS comparator detects the set current value (NF), and the IC enters to the Fast Mode. Then, the IC transmits from Fast Mode to Slow Mode at the timing of 50% of the fixed OFF time, toff=25 μs (typ.). Moreover, after 50% of the time has elapsed, the Slow Mode ends, and the Charge period starts again. Even if the set current is changed during Decay operation, the Decay operation continues until completion of toff operation period.

Note: These figures are intended for illustrative purpose only. If designed more realistically, they would show transient response curves.

Timing charts may be simplified for explanatory purposes.

6. Switching Characteristics

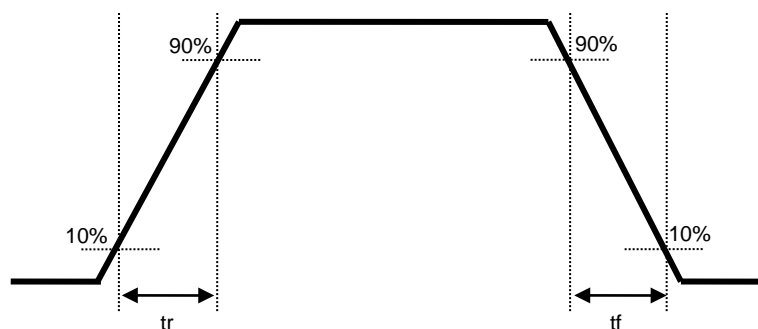


Figure 6.1 Switching characteristics

Table 6.1 Switching characteristics

Ta = 25°C, VM = 24 V, output load condition 6.8mH/5.7Ω

Item	Typ.	Unit
tr	60	ns
tf	80	ns

7. Application Circuit Example

7.1. Application Circuit Example brushed DC motor drive

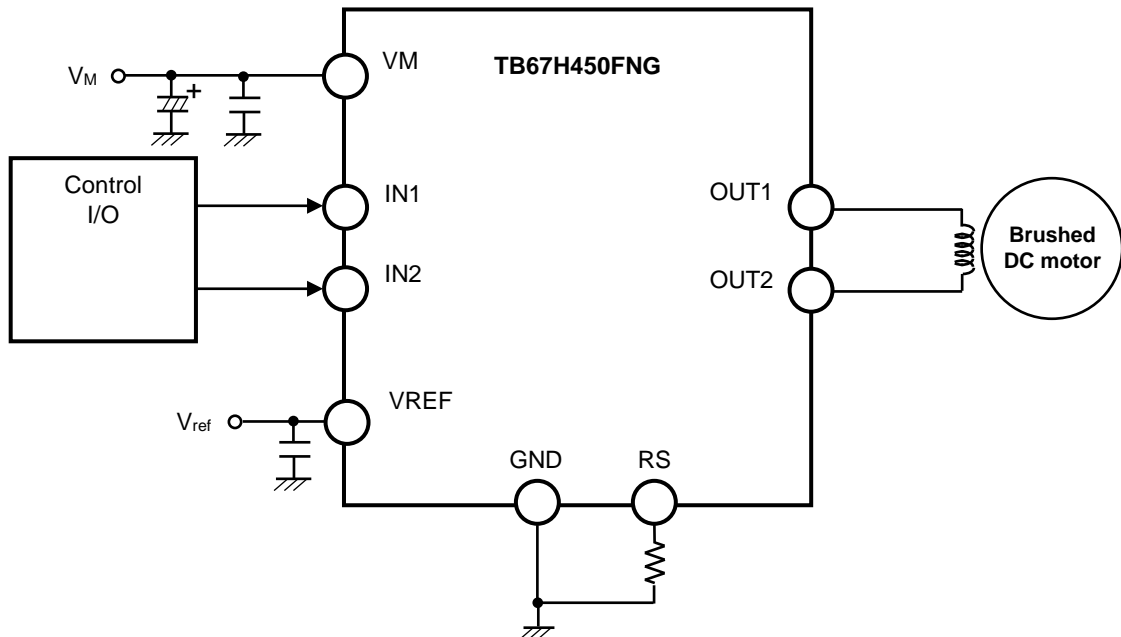


Figure 7.1 Application circuit example (Brushed DC motor)

7.2. Stepping motor drive

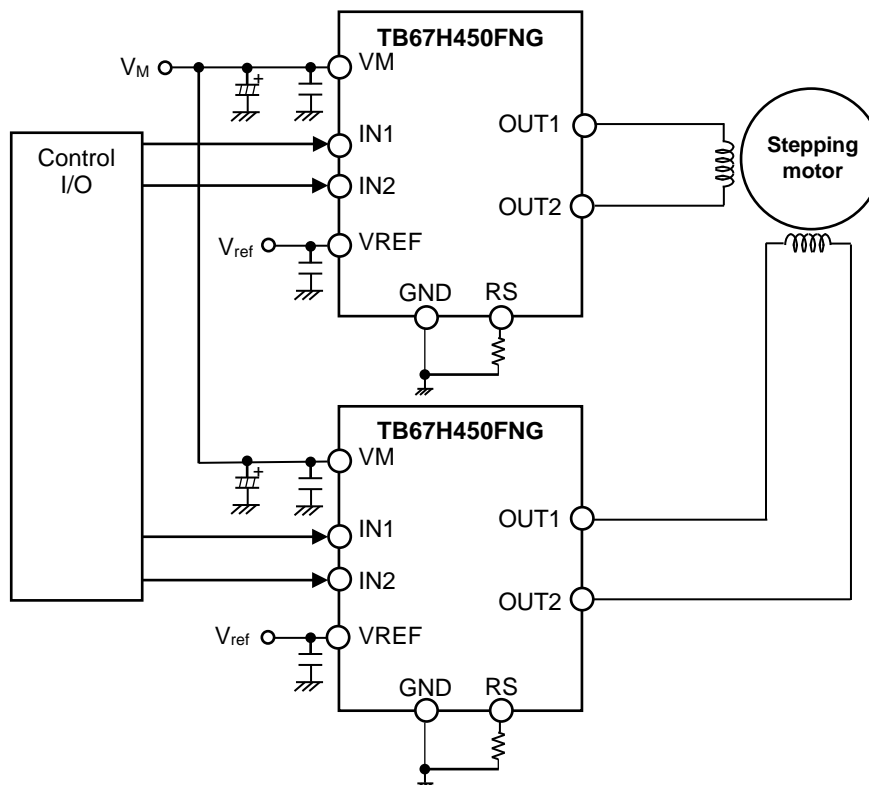


Figure 7.2 Application circuit example (stepping motor)

All the grounding wires of the TB67H450FNG must run on the solder within the mask of the PCB. It must also be externally terminated at a single point. The application circuits shown in this document are provided for reference purposes only. Thorough evaluation is required, especially at the mass production design stage.

7.3. Capacitor for Power Supply Pin

To stabilize the power supply voltage of the IC and reduce the noise, connect the appropriate capacitor to each pin. It is recommended to connect the capacitor as close to the IC as possible. Especially, by connecting the ceramic capacitor near the IC, the power voltage fluctuation at the high frequency range and the noise can be reduced.

Table 7.1 Recommended capacitor values for power supply pin

Connection	Components	Typ.	Recommended range
Between VM and GND	Electrolytic capacitor	100 μF	47 to 100 μF
	Ceramic capacitor	0.1 μF	0.01 to 1 μF
(Between VREF and GND)	Ceramic capacitor	0.1 μF	0.01 to 1 μF

- * Between VREF and GND: Connect the capacitor in necessary depending on the usage environment.
- * It is possible to reduce each component and use the capacitor with other than the recommended value, depending on the motor load condition and the board design pattern.

7.4. Current Detection Resistor

This IC configures the threshold of the constant current detection by connecting the current detection resistor between RS pin and GND pin. The detection resistor is recommended to connect near the IC. (The motor can be controlled with the accurate current because the influence of the wire resistance of the board can be reduced.)

Table 7.2 Recommended values for current detection resistor

Connection	Parts	Typ.	Recommended range
Between RS and GND	Chip / Lead resistor	0.22 Ω (1.5 to 3.0 A)	0.22 to 1.0 Ω
Between RS and GND	Chip / Lead resistor	0.51 Ω (0 to 1.5 A)	0.22 to 1.0 Ω

The relation equation of the threshold of the constant current detection, Vref voltage, and the RS detection resistor is as follows;

$$I_{out(max)} = V_{ref(gain)} \times \frac{V_{ref(V)}}{R_{RS}(\Omega)}$$

Vref(gain): Vref decay ratio is 1 / 10.0 (typ.).

As for the current detection resistor, the constant number which is out of recommended range can be adopted. In this case, please pay attentions to the followings when the used resistor is high and low

- * When the detection resistance is low, the difference voltage between RS and GND comparing to the internal reference voltage becomes small.
 So, the current may be largely different from the configured current value.
- * When the detection resistance is high, the power applied to the detection resistance increases in motor operation ($P=I^2 \times R$). So, in case the same current flows as the case of low resistance, the power dissipation should be larger.

7.5. Wiring Pattern for Power Supply and GND

Since large current may flow in VM, RS, and GND pattern especially, design the appropriate wiring pattern in order to avoid the influence of wiring impedance. It is very important for surface mounting package to radiate the heat from the heat sink of the IC's back side to the GND. So, design the pattern by considering the heat design.

7.6. Fuse

Use an appropriate power supply fuse for the power supply line to ensure that a large current does not continuously flow in the case of over current and/or IC failure.

The IC will fully break down when used under conditions that exceed its absolute maximum ratings, when the wiring is routed improperly or when an abnormal pulse noise occurs from the wiring or load, causing a large current to continuously flow and the breakdown can lead to smoke or ignition. To minimize the effects of the flow of a large current in the case of breakdown, appropriate settings, such as fuse capacity, fusing time and insertion circuit location, are required.

This IC incorporates over current detection circuit (ISD) that turns off the output of the IC when over current is detected in the IC. However, it does not necessarily protect ICs under all circumstances. If the over current detection circuits operate against the over current, clear the over current status immediately. Depending on the method of use and usage conditions, such as exceeding absolute maximum ratings can cause the over current protection circuit to not operate properly or IC breakdown before operation. In addition, depending on the method of use and usage conditions, if over current continues to flow for a long time after operation, the IC may generate heat resulting in breakdown.

To avoid above IC destruction and malfunctions caused by noise, the over current detection circuit has a dead band time. So, it is concerned that the over current detection circuit may not operate depending on the output load conditions because of the dead band time. Therefore, in order to avoid continuing this abnormal state, use the fuse for the power supply line.

8. Fault Detection

- Thermal shutdown (TSD)**
 When the junction temperature of the IC reaches the specified value, the internal detection circuit (TSD) operates to turn off the output block. It has a dead band time to prevent the IC from malfunction, which is caused by switching and so on. Since the temperature has a hysteresis range, when the junction temperature falls to the return temperature, the operation returns automatically to the normal operation.
 The TSD is triggered when the device is over heated irregularly. Make sure not to use the TSD function aggressively.

Dead band time ($t_{TSD (mask)}$): 2 to 8 μ s

- Over current detection (ISD)**
 When the IC detects an over current, the internal circuit turns off the output block. It has a dead band time to avoid ISD misdetection, which may be triggered by external noise.

Dead band time ($t_{ISD (mask)}$): 2.5 μ s (typ.)

The ISD operation is released when one of the following controls is performed.

- Restart the power supply.
- After setting to the standby mode (IN1/IN2=L, 1 ms), it sets to the operational mode (IN1 or IN2=H) again.

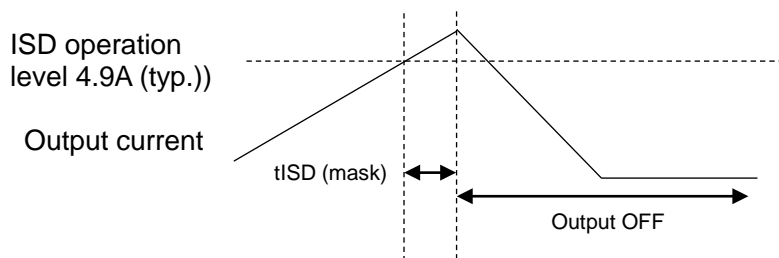


Figure 8.1 Operation of over current detection

- Under voltage Lock out (UVLO)**
 The under voltage detection circuit operates when the applied voltage of VM pin falls 3.8V (typ.) or less. All output power transistors are turned off. The UVLO operation is released when the voltage applied to VM pin rises 4.0V (typ.) or more.

* The operation thresholds and mask time of the fault detection shown above are reference values.

9. Power consumption of IC

Power of the IC is consumed by the transistor of the output block and that of the logic block mainly.

$$P(\text{total}) = P(\text{out}) + P(\text{bias})$$

- Power consumption of the motor output block
Power of the output block (P(out)) is consumed by MOSFET of upper and lower H-Bridge.

$$P(\text{out}) = I_{\text{out}} (\text{A}) \times V_{\text{DS}} (\text{V}) = I_{\text{out}} (\text{A}) \times I_{\text{out}} (\text{A}) \times R_{\text{on}} (\Omega) \dots\dots\dots (1)$$

When the current waveform of the motor output corresponds to the ideal waveform, the average power of the output block can be provided as follows;

When $R_{\text{on}} = 0.60\Omega$, $I_{\text{out}} (\text{peak: max}) = 1.5 \text{ A}$, $V_{\text{M}} = 24 \text{ V}$

$$P(\text{out}) = 1.5 (\text{A}) \times 1.5 (\text{A}) \times 0.60 (\Omega) \dots\dots\dots (2)$$

$$= 1.35 (\text{W})$$

- Power consumption of logic and IM systems
Power consumption of logic and IM systems is calculated separately by the state of operating and stopping.

$$I (\text{IM3}) = 3.5 \text{ mA (typ.): Operating (fPWM=30 kHz)}$$

$$I (\text{IM2}) = 3.0 \text{ mA (typ.): Stopping (Brake Mode)}$$

The outputs are connected to VM (24V). (Outputs: Current consumed by the circuit connected to VM + Current consumed by switching output stages)

Power consumption is calculated as follows;

$$P(\text{bias}) = 24 (\text{V}) \times 0.0035 (\text{A}) \dots\dots\dots (3)$$

$$= 0.084 (\text{W})$$

- Power consumption
Total power consumption P (total) is calculated from the values of equation (2) and (3).

$$P(\text{total}) = P(\text{out}) + P(\text{bias}) = 1.35 + 0.084 = 1.434 (\text{W})$$

The power consumption in non-operation mode (stopping) of the motor is calculated as follows;

$$P = 24 (\text{V}) \times 0.003 (\text{A}) = 0.072 (\text{W})$$

Additionally, the power consumption can be reduced by stopping the operation with the standby mode. (IM1=1μA (max))

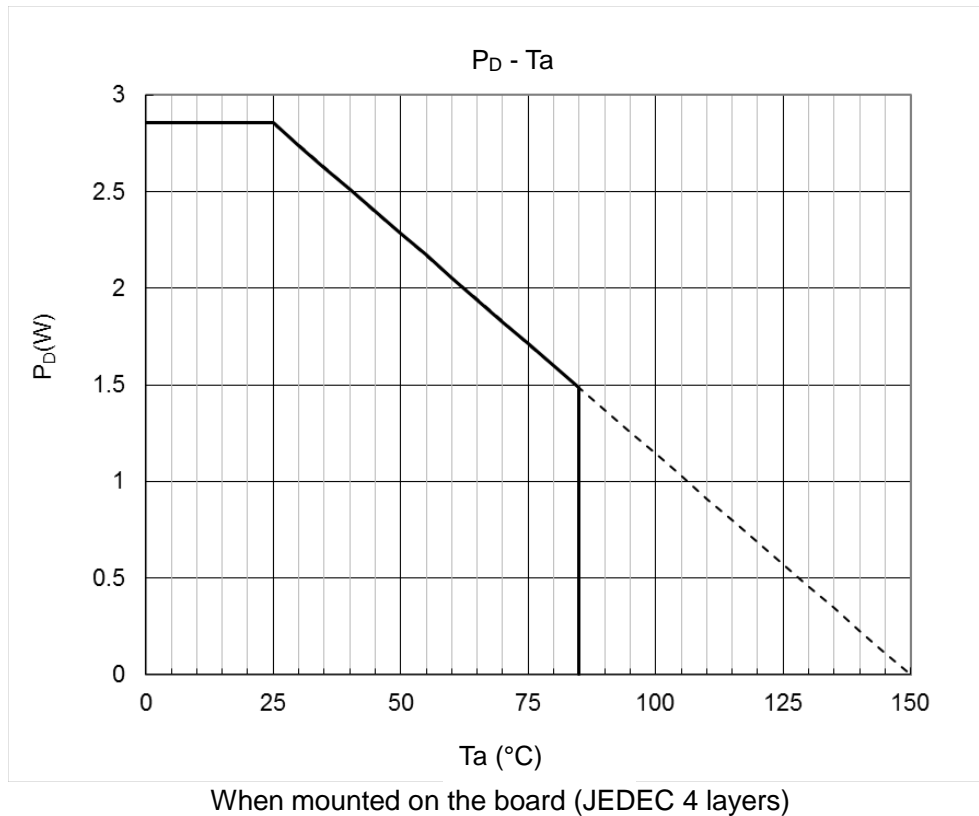
In actual motor operation, the average current becomes lower than the calculated value because of transition time of the current steps and the ripple of the constant current PWM. Refer to the above equations, evaluate the heat design of the board by the actual board enough, and configure the appropriate margin.

10. Power Dissipation

Relation equation of the ambient temperature (T_a), junction temperature (T_j), and the heat resistance ($R_{th(j-a)}$) between junction temperature to ambient temperature is as follows;

$$T_j = T_a + P_D \times R_{th(j-a)}$$

(Reference) Relation between power dissipation and ambient temperature

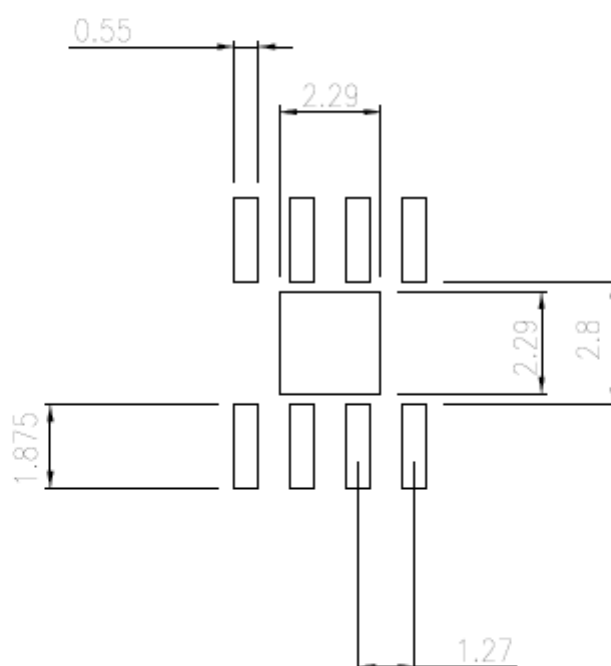


Pay attention that T_a , $R_{th(j-a)}$, and P (total) depend on the usage environment. When ambient temperature is high, the allowable power consumption decreases.

11. Reference Land Pattern

P-HSOP8-0405-1.27

"Unit: mm"



Notes

- All linear dimensions are given in millimeters unless otherwise specified.
- This drawing is based on JEITA ET-7501 Level3 and should be treated as a reference only. We are not responsible for any incorrect or incomplete drawings and information.
- You are solely responsible for all aspects of your own land pattern, including but not limited to soldering processes.
- The drawing shown may not accurately represent the actual shape or dimensions.
- Before creating and producing designs and using, customers must also refer to and comply with the latest versions of all relevant our information and the instructions for the application that Product will be used with or for.

12. Board dimensions

12.1. Input

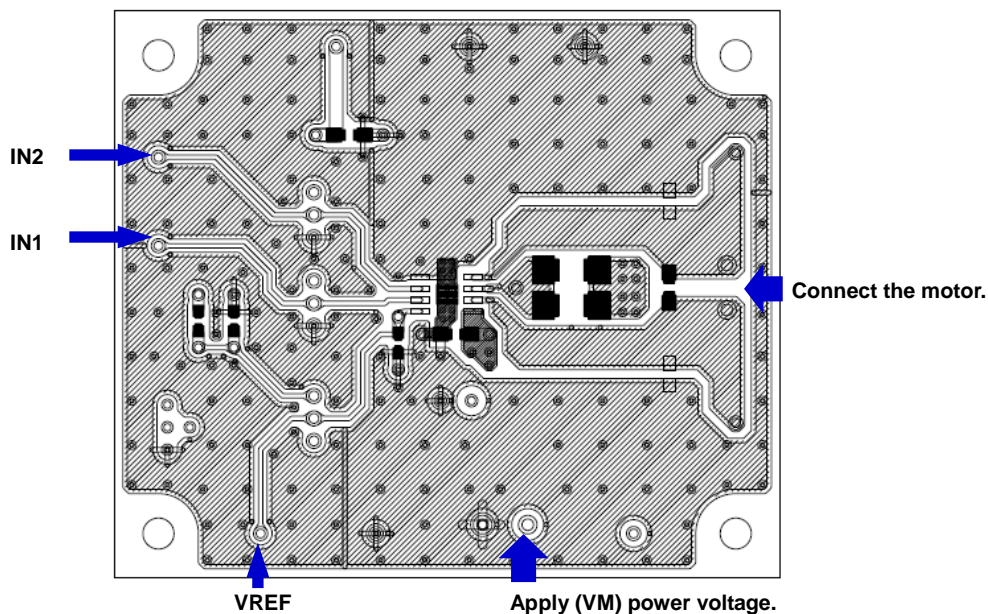


Figure 12.1 Input

Input each power supply and control signals according to the figure shown above.

12.2. Main parts

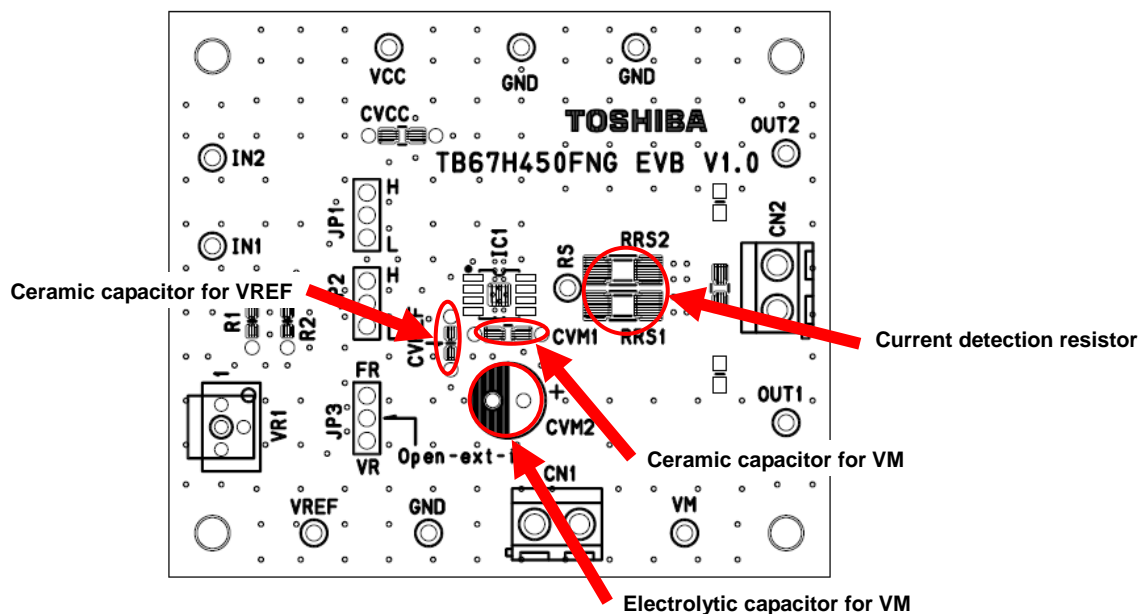


Figure 12.2 Main parts

Connect each components referring to Section “7. Application Circuit Example”.

12.3. PCB options

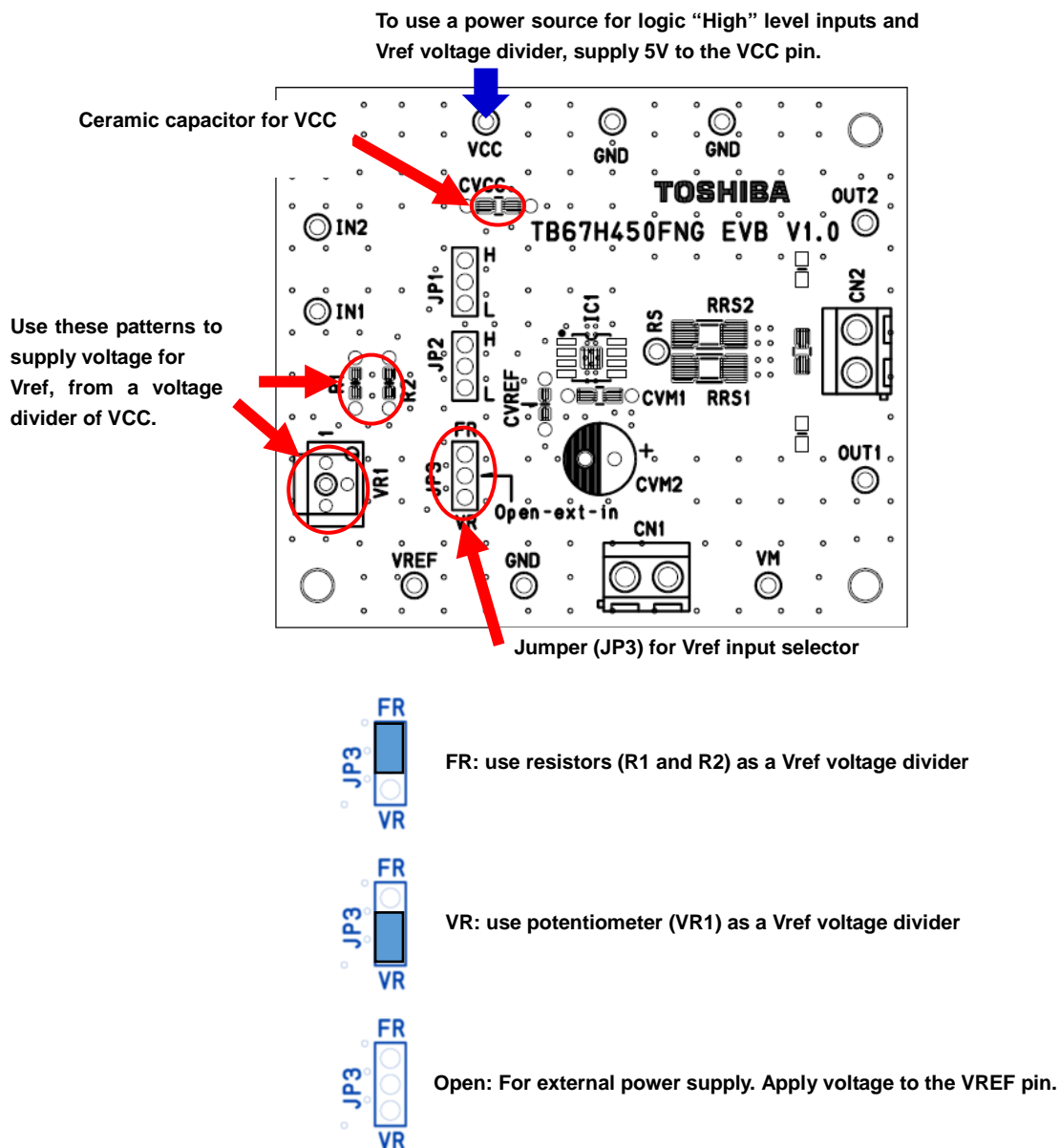


Figure 12.3 PCB options

Notes on Contents

1. Block Diagrams

Some of the functional blocks, circuits, or constants in the block diagram may be omitted or simplified for explanatory purposes.

2. Equivalent Circuits

The equivalent circuit diagrams may be simplified or some parts of them may be omitted for explanatory purposes.

3. Timing Charts

Timing charts may be simplified for explanatory purposes.

4. Application Circuits

The application circuits shown in this document are provided for reference purposes only. Thorough evaluation is required, especially at the mass production design stage.

Providing these application circuit examples does not grant a license for industrial property rights.

IC Usage Considerations

Notes on handling of ICs

- (1) The absolute maximum ratings of a semiconductor device are a set of ratings that must not be exceeded, even for a moment. Do not exceed any of these ratings. Exceeding the rating(s) may cause the device breakdown, damage or deterioration, and may result injury by explosion or combustion.
- (2) Do not insert devices in the wrong orientation or incorrectly. Make sure that the positive and negative terminals of power supplies are connected properly. Otherwise, the current or power consumption may exceed the absolute maximum rating, and exceeding the rating(s) may cause the device breakdown, damage or deterioration, and may result injury by explosion or combustion. In addition, do not use any device that is applied the current with inserting in the wrong orientation or incorrectly even just one time.
- (3) Use an appropriate power supply fuse to ensure that a large current does not continuously flow in case of over current and/or IC failure. The IC will fully break down when used under conditions that exceed its absolute maximum ratings, when the wiring is routed improperly or when an abnormal pulse noise occurs from the wiring or load, causing a large current to continuously flow and the breakdown can lead smoke or ignition. To minimize the effects of the flow of a large current in case of breakdown, appropriate settings, such as fuse capacity, fusing time and insertion circuit location, are required.
- (4) If your design includes an inductive load such as a motor coil, incorporate a protection circuit into the design to prevent device malfunction or breakdown caused by the current resulting from the inrush current at power ON or the negative current resulting from the back electromotive force at power OFF. IC breakdown may cause injury, smoke or ignition. Use a stable power supply with ICs with built-in protection functions. If the power supply is unstable, the protection function may not operate, causing IC breakdown. IC breakdown may cause injury, smoke or ignition.
- (5) Carefully select external components (such as inputs and negative feedback capacitors) and load components (such as speakers), for example, power amp and regulator. If there is a large amount of leakage current such as input or negative feedback condenser, the IC output DC voltage will increase. If this output voltage is connected to a speaker with low input withstand voltage, overcurrent or IC failure can cause smoke or ignition. (The over current can cause smoke or ignition from the IC itself.) In particular, please pay attention when using a Bridge Tied Load (BTL) connection type IC that inputs output DC voltage to a speaker directly.

Points to remember on handling of ICs**(1) Over current Protection Circuit**

Over current protection circuits (referred to as current limiter circuits) do not necessarily protect ICs under all circumstances. If the over current protection circuits operate against the over current, clear the over current status immediately.

Depending on the method of use and usage conditions, such as exceeding absolute maximum ratings can cause the over current protection circuit to not operate properly or IC breakdown before operation. In addition, depending on the method of use and usage conditions, if over current continues to flow for a long time after operation, the IC may generate heat resulting in breakdown.

(2) Thermal Shutdown Circuit

Thermal shutdown circuits do not necessarily protect ICs under all circumstances. If the thermal shutdown circuits operate against the over temperature, clear the heat generation status immediately.

Depending on the method of use and usage conditions, such as exceeding absolute maximum ratings can cause the thermal shutdown circuit to not operate properly or IC breakdown before operation.

(3) Heat Radiation Design

In using an IC with large current flow such as power amp, regulator or driver, please design the device so that heat is appropriately radiated, not to exceed the specified junction temperature (T_j) at any time and condition. These ICs generate heat even during normal use. An inadequate IC heat radiation design can lead to decrease in IC life, deterioration of IC characteristics or IC breakdown. In addition, please design the device taking into consideration the effect of IC heat radiation with peripheral components.

(4) Back-EMF

When a motor reverses the rotation direction, stops or slows down abruptly, a current flow back to the motor's power supply due to the effect of back-EMF. If the current sink capability of the power supply is small, the device's motor power supply and output pins might be exposed to conditions beyond absolute maximum ratings. To avoid this problem, take the effect of back-EMF into consideration in system design.

RESTRICTIONS ON PRODUCT USE

Toshiba Corporation and its subsidiaries and affiliates are collectively referred to as "TOSHIBA". Hardware, software and systems described in this document are collectively referred to as "Product".

- TOSHIBA reserves the right to make changes to the information in this document and related Product without notice.
- This document and any information herein may not be reproduced without prior written permission from TOSHIBA. Even with TOSHIBA's written permission, reproduction is permissible only if reproduction is without alteration/omission.
- Though TOSHIBA works continually to improve Product's quality and reliability, Product can malfunction or fail. Customers are responsible for complying with safety standards and for providing adequate designs and safeguards for their hardware, software and systems which minimize risk and avoid situations in which a malfunction or failure of Product could cause loss of human life, bodily injury or damage to property, including data loss or corruption. Before customers use the Product, create designs including the Product, or incorporate the Product into their own applications, customers must also refer to and comply with (a) the latest versions of all relevant TOSHIBA information, including without limitation, this document, the specifications, the data sheets and application notes for Product and the precautions and conditions set forth in the "TOSHIBA Semiconductor Reliability Handbook" and (b) the instructions for the application with which the Product will be used with or for. Customers are solely responsible for all aspects of their own product design or applications, including but not limited to (a) determining the appropriateness of the use of this Product in such design or applications; (b) evaluating and determining the applicability of any information contained in this document, or in charts, diagrams, programs, algorithms, sample application circuits, or any other referenced documents; and (c) validating all operating parameters for such designs and applications. **TOSHIBA ASSUMES NO LIABILITY FOR CUSTOMERS' PRODUCT DESIGN OR APPLICATIONS.**
- **PRODUCT IS NEITHER INTENDED NOR WARRANTED FOR USE IN EQUIPMENTS OR SYSTEMS THAT REQUIRE EXTRAORDINARILY HIGH LEVELS OF QUALITY AND/OR RELIABILITY, AND/OR A MALFUNCTION OR FAILURE OF WHICH MAY CAUSE LOSS OF HUMAN LIFE, BODILY INJURY, SERIOUS PROPERTY DAMAGE AND/OR SERIOUS PUBLIC IMPACT ("UNINTENDED USE").** Except for specific applications as expressly stated in this document, Unintended Use includes, without limitation, equipment used in nuclear facilities, equipment used in the aerospace industry, lifesaving and/or life supporting medical equipment, equipment used for automobiles, trains, ships and other transportation, traffic signaling equipment, equipment used to control combustions or explosions, safety devices, elevators and escalators, and devices related to power plant. **IF YOU USE PRODUCT FOR UNINTENDED USE, TOSHIBA ASSUMES NO LIABILITY FOR PRODUCT.** For details, please contact your TOSHIBA sales representative or contact us via our website.
- Do not disassemble, analyze, reverse-engineer, alter, modify, translate or copy Product, whether in whole or in part.
- Product shall not be used for or incorporated into any products or systems whose manufacture, use, or sale is prohibited under any applicable laws or regulations.
- The information contained herein is presented only as guidance for Product use. No responsibility is assumed by TOSHIBA for any infringement of patents or any other intellectual property rights of third parties that may result from the use of Product. No license to any intellectual property right is granted by this document, whether express or implied, by estoppel or otherwise.
- **ABSENT A WRITTEN SIGNED AGREEMENT, EXCEPT AS PROVIDED IN THE RELEVANT TERMS AND CONDITIONS OF SALE FOR PRODUCT, AND TO THE MAXIMUM EXTENT ALLOWABLE BY LAW, TOSHIBA (1) ASSUMES NO LIABILITY WHATSOEVER, INCLUDING WITHOUT LIMITATION, INDIRECT, CONSEQUENTIAL, SPECIAL, OR INCIDENTAL DAMAGES OR LOSS, INCLUDING WITHOUT LIMITATION, LOSS OF PROFITS, LOSS OF OPPORTUNITIES, BUSINESS INTERRUPTION AND LOSS OF DATA, AND (2) DISCLAIMS ANY AND ALL EXPRESS OR IMPLIED WARRANTIES AND CONDITIONS RELATED TO SALE, USE OF PRODUCT, OR INFORMATION, INCLUDING WARRANTIES OR CONDITIONS OF MERCHANTABILITY, FITNESS FOR A PARTICULAR PURPOSE, ACCURACY OF INFORMATION, OR NONINFRINGEMENT.**
- Do not use or otherwise make available Product or related software or technology for any military purposes, including without limitation, for the design, development, use, stockpiling or manufacturing of nuclear, chemical, or biological weapons or missile technology products (mass destruction weapons). Product and related software and technology may be controlled under the applicable export laws and regulations including, without limitation, the Japanese Foreign Exchange and Foreign Trade Law and the U.S. Export Administration Regulations. Export and re-export of Product or related software or technology are strictly prohibited except in compliance with all applicable export laws and regulations.
- Please contact your TOSHIBA sales representative for details as to environmental matters such as the RoHS compatibility of Product. Please use Product in compliance with all applicable laws and regulations that regulate the inclusion or use of controlled substances, including without limitation, the EU RoHS Directive. **TOSHIBA ASSUMES NO LIABILITY FOR DAMAGES OR LOSSES OCCURRING AS A RESULT OF NONCOMPLIANCE WITH APPLICABLE LAWS AND REGULATIONS.**