

Applications of Low-Voltage One-Gate Logic ICs to Level Shift Circuits

Outline:

This application note presents examples of applications of the 7UL low-voltage one-gate logic IC series to level-shifter ICs that are used to translate control signals between two voltage domains in which a main IC and peripheral ICs operate at different voltage levels.

Contents

Contents.....	2
1. Introduction	3
2. Level shift circuits with a dual-supply level shifter IC and with a one-gate logic IC.....	3
2.1. Dual-supply level shifter ICs and the one-gate logic IC: 7UL series	3
2.2 Comparison of circuit configurations in which both logic level translation and voltage level translation are required simultaneously.....	5
2.3 Advantages and disadvantages of using the one-gate logic IC.....	8
3 Examples of voltage level translation with the one-gate logic IC	8
3.1 Leveling up of unidirectional signals.....	8
3.2 Leveling down of unidirectional signals.....	9
4. Summary.....	10
RESTRICTIONS ON PRODUCT USE	11

1. Introduction

In battery-powered electronic devices, systems are becoming more multifunctional and low-power consumption. Especially in main ICs such as CPUs and MPUs that function as the cores of the systems, finer processes are adopted with lower operating and control signal voltage.

In contrast, when a set is remodeled, existing peripheral ICs that have been adopted are retained in some cases instead of adopting new generations for cost reduction and simpler design. As a result, the use of lower voltage progresses slowly. Therefore, different voltage levels often exist in operating voltages and control signals within the system.

To resolve the voltage differences, dual-supply level shifter ICs have been widely used. This Application Note describes how to resolve this problem more easily at lower costs by using a single-supply logic IC, by taking Toshiba's one-gate logic IC: 7UL series products as an example.

2. Level shift circuits with a dual-supply level shifter IC and with a one-gate logic IC

2.1. Dual-supply level shifter ICs and the one-gate logic IC: 7UL series

A dual-supply level shifter IC is a buffer IC that uses two power supplies (V_{CCA} and V_{CCB}). The IC is specialized for voltage level translation of high level signals and not equipped with the logic functions (AND, OR, NOR, etc.). It operates with V_{CCA} of 1.1 V to 2.7 V and V_{CCB} of 1.65 V to 3.6V. It can support various voltage levels, including voltage level translation from 1.1 V to 3.6 V.

The one-gate logic IC: 7UL series ICs are single-supply logic ICs. The series consists of two types: the 7UL1G series that can operate at 0.9 V or higher and the 7UL1T series that allows for voltage level translation from 1.2 V to 3.6 V. Most of the ICs are equipped with gate functions. They are suitable for applications in which both voltage level translation and logic functions are required simultaneously.

The 7UL1G series ICs can receive input of up to 3.6 V regardless of supply voltage by using the 3.6-V input-tolerant function(*). They are suitable for applications in which logic level translation and voltage level down translation are required.

The 7UL1T series ICs are suitable for applications in which logic level translation and voltage level up translation are required because of the high level threshold voltage of 1.2 V or lower.

* The input-tolerant function prevents current from flowing from the input to the power supply when input voltage is higher than the supply voltage or when the supply voltage VCC is 0 V. Being "tolerant" means having tolerance.

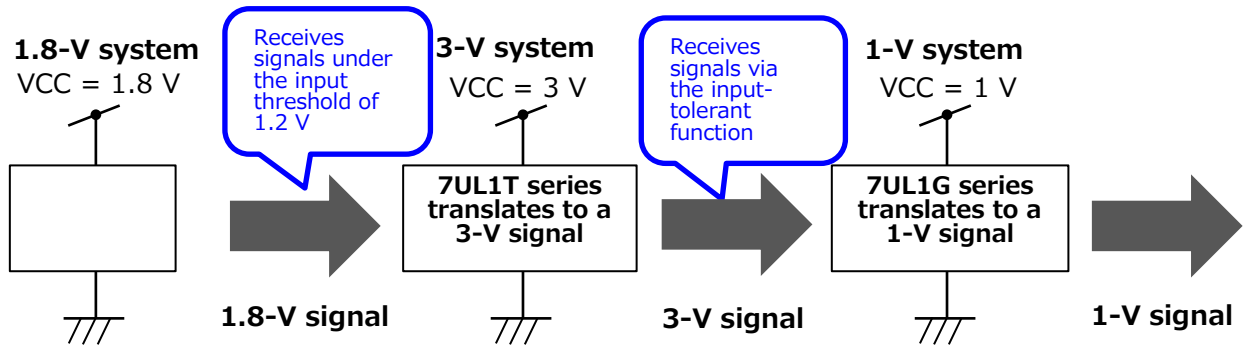


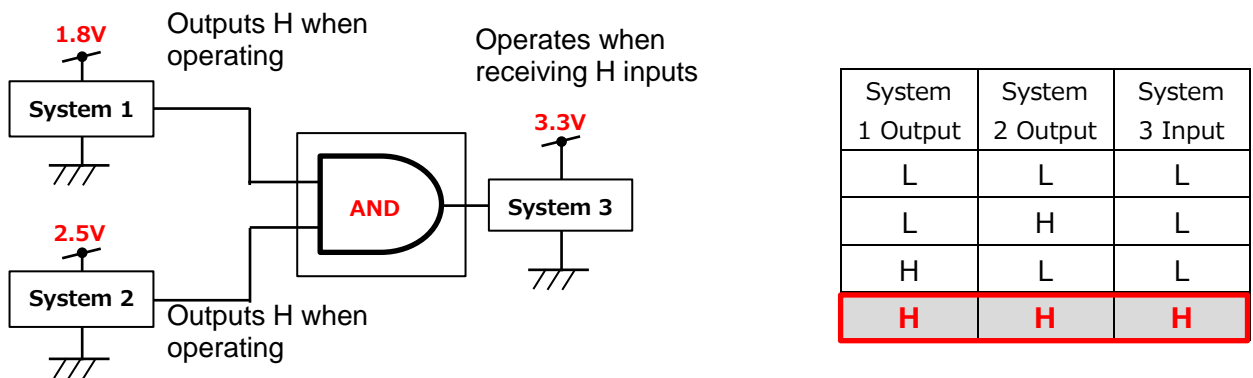
Figure 2.1.1 Example of an application of the 7UL series for interfacing

2.2 Comparison of circuit configurations in which both logic level translation and voltage level translation are required simultaneously

The inputs and output of AND logic used for logic conversion might be in different voltage domains. This subsection compares voltage translation using a dual-supply level-shifter IC and a one-gate logic IC. Figure 2.2.1 shows an example of a circuit using AND logic that requires voltage translation.

Figure 2.2.1 Example of a circuit requiring both an AND circuit and voltage level translation

System 3 (3.3 V) operates when System 1 (1.8 V) and System 2 (2.5 V) operate simultaneously



This example shows a circuit in which System 3 operates when both System 1 and System 2 operate simultaneously. System 1 and System 2 output the high level voltage as a control signal when operating. System 3 has a control terminal that operates at the high level voltage. The AND circuit is required to input the high level voltage into System 3 when the control signals of System 1 and System 2 are both high level voltage output. In addition, the system supply voltages are different: System 1: 1.8 V, System 2: 2.5 V, and System 3: 3.3 V. Therefore, voltage level translation is required to match the system voltages.

Conventionally, a dual-supply level shifter IC has been used for this voltage level translation. However, the same operation can be achieved more easily at lower costs by using one single-supply one-gate logic IC, as shown in Table 2.2.2.

Table 2.2.2

Comparison between using a dual-supply level shifter IC and using a single-supply one-gate logic IC

Circuit Configuration	Dual-supply level shifter IC	One-gate logic IC
Product(s) Used	<p>TC7WP3125FK ×1 piece Package: US8</p> <p>TC7SZ08FU ×1 piece Package: USV</p>	<p>7UL1T08FU × 1 piece Package: USV</p>
Major Specifications of Product(s) Used	<p>[TC7WP3125FK] 2-bit unidirectional buffer</p> <ul style="list-style-type: none"> - Supply voltage (input side): $V_{CCA} = 1.1 \text{ V to } 2.7 \text{ V}$ - Supply voltage (output side): $V_{CCB} = 1.65 \text{ V to } 3.6 \text{ V}$ - High-level input threshold: $0.65 \times V_{CCA}$ or lower - 3.6V input-tolerant function - Restriction of turning on V_{CCA} first because it is a dual-supply IC <p>[TC7SZ08FU] 2-input AND</p> <ul style="list-style-type: none"> - Supply voltage: $V_{CC} = 1.65 \text{ V to } 5.5 \text{ V}$ - High-level input threshold: $0.75 \times V_{CC}$ or lower (when $V_{CC} \geq 2.3 \text{ V}$) 	<p>[7UL1T08FU] 2-input AND</p> <ul style="list-style-type: none"> - Supply voltage: $V_{CC} = 2.3 \text{ V to } 3.6 \text{ V}$ - High-level input threshold: 1.2V or less - 3.6V input-tolerant function - No restriction on turning on VCC because it is a single-supply IC
Circuit Schematic	<p style="text-align: center;">TC7WP3125FK TC7SZ08FU</p>	<p style="text-align: center;">7UL1T08FU</p>
Description of Operation	<p>Voltage level translation: TC7WP3125FK</p> <p>$V_{CCA} = 1.8 \text{ V}$ and $V_{CCB} = 3.3 \text{ V}$</p> <p>Receives 1.8-V input as well as 2.5-V input via the tolerant function to make the high-level input to the AND circuit 3.3 V</p> <p>AND circuit: TC7SZ08FU</p>	<p>AND circuit: 7UL1T08FU is used</p> <p>Can receive 1.8-V input and 2.5-V input directly because of the high level threshold value of 1.2 V or less</p> <p>Achieves logic level translation and voltage level translation when used with $V_{CC} = 3.3 \text{ V}$</p>

Application Note

Footprint	US8 2.0×3.1 mm Area: 6.2 mm ² USV 2.0×2.1 mm Area: 4.2 mm ² Total: 10.4 mm ²	USV 2.0×2.1 mm Area: 4.2 mm ² Total: 4.2 mm ² ★Footprint: Reduced by 60%
Consumption Current (Quiescent)	TC7WP3125FK: ICCA = 2 μA, ICCB = 2 μA TC7SZ08FU: ICC = 20 μA Total: 24 μA	7UL1T08FU: ICC = 10 μA Total: 10 μA ★Consumption current: Reduced by 58%
Consumption Current (Operating)	Operating at 1 MHz (ICCA+ICCB+ICC) 12 μA + 87 μA + 68 μA = 167 μA	Operating at 1 MHz (ICC) 31μA ★Consumption current: Reduced by 81%

2.3 Advantages and disadvantages of using the one-gate logic IC

The use of the one-gate logic IC: 7UL1T series can reduce the number of parts comprising the circuit (resulting in cost reduction), reduce the footprint, and reduce power consumption. Because of the two power systems, the dual-supply level shifter IC has restrictions on the power-up sequence and requires controlling of the timing of power on/off. However, the one-gate logic IC cannot provide voltage level translation for bidirectional signals. In this case, we suggest the Dual-Supply Level Shifter: TC7MP series and TC7WPB series.

Recommended products for bidirectional data communication

For bus lines and data lines requiring level down and level up simultaneously, dual-supply level shifter ICs are recommended.

Line Type	Number of Lines	Output Type	VCCA (V)	VCCB (V)	Product Name
Bus line (I2C Bus, etc.)	2-bit	Bus switch	1.65 to 5.0	2.3 to 5.5	TC7WPB9306FK
Data line (UART, GPIO, etc.)	4-bit	Buffer	1.1 to 2.7V	1.65 to 3.6	TC7MP3125FK

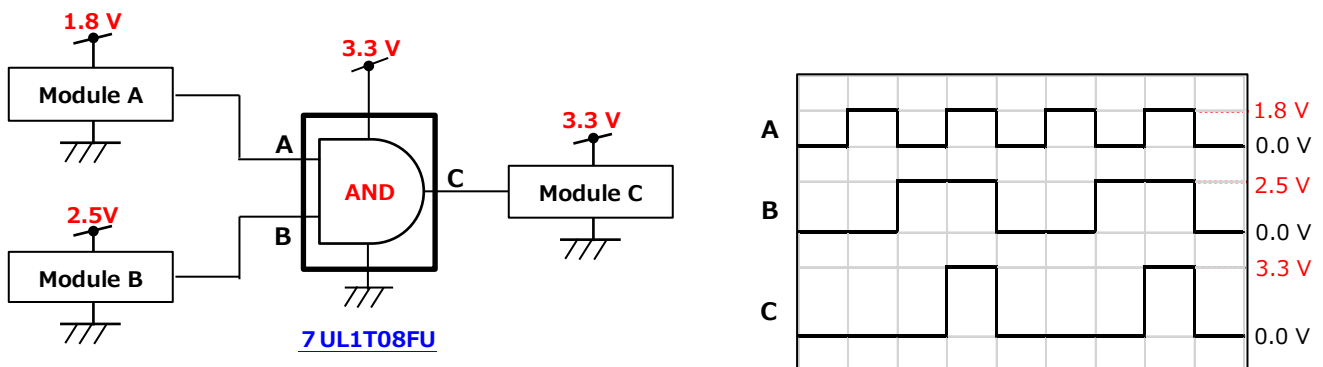
For a list of other dual-supply level shifter IC products ⇒ [Click Here](#)

3 Examples of voltage level translation with the one-gate logic IC

Examples of application circuits that achieve voltage level translation by using the one-gate logic IC: 7UL series are shown below. Examples of application circuits for wireless modules and tablet PCs are provided as typical applications.

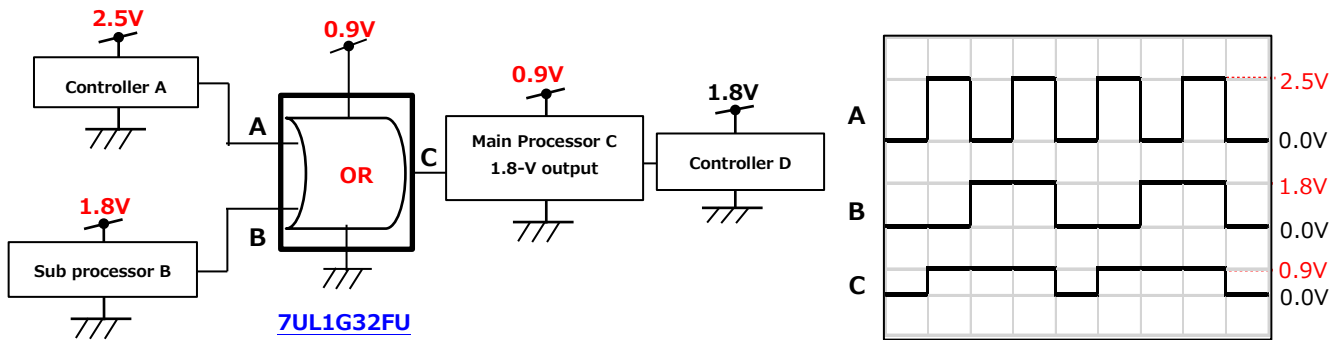
3.1 Leveling up of unidirectional signals

Wireless module: Module C is controlled only when Module A and Module B operate simultaneously



3.2 Leveling down of unidirectional signals

Tablet PC: Main Processor C controls Controller D depending on the states of Controller A and Sub Processor B



4. Summary

Conventionally, a dual-supply level shifter IC has been used for voltage level translation. However, the same operation can be achieved more easily at lower costs by using the single-supply one-gate logic IC: 7UL series.

For single-supply one-gate logic ICs with the level shift function ⇒

[Click Here](#)

For Toshiba's other one-gate logic IC products ⇒

[Click Here](#)

RESTRICTIONS ON PRODUCT USE

Toshiba Corporation and its subsidiaries and affiliates are collectively referred to as "TOSHIBA".

Hardware, software and systems described in this document are collectively referred to as "Product".

- TOSHIBA reserves the right to make changes to the information in this document and related Product without notice.
- This document and any information herein may not be reproduced without prior written permission from TOSHIBA. Even with TOSHIBA's written permission, reproduction is permissible only if reproduction is without alteration/omission.
- Though TOSHIBA works continually to improve Product's quality and reliability, Product can malfunction or fail. Customers are responsible for complying with safety standards and for providing adequate designs and safeguards for their hardware, software and systems which minimize risk and avoid situations in which a malfunction or failure of Product could cause loss of human life, bodily injury or damage to property, including data loss or corruption. Before customers use the Product, create designs including the Product, or incorporate the Product into their own applications, customers must also refer to and comply with (a) the latest versions of all relevant TOSHIBA information, including without limitation, this document, the specifications, the data sheets and application notes for Product and the precautions and conditions set forth in the "TOSHIBA Semiconductor Reliability Handbook" and (b) the instructions for the application with which the Product will be used with or for. Customers are solely responsible for all aspects of their own product design or applications, including but not limited to (a) determining the appropriateness of the use of this Product in such design or applications; (b) evaluating and determining the applicability of any information contained in this document, or in charts, diagrams, programs, algorithms, sample application circuits, or any other referenced documents; and (c) validating all operating parameters for such designs and applications. **TOSHIBA ASSUMES NO LIABILITY FOR CUSTOMERS' PRODUCT DESIGN OR APPLICATIONS.**
- **PRODUCT IS NEITHER INTENDED NOR WARRANTED FOR USE IN EQUIPMENTS OR SYSTEMS THAT REQUIRE EXTRAORDINARILY HIGH LEVELS OF QUALITY AND/OR RELIABILITY, AND/OR A MALFUNCTION OR FAILURE OF WHICH MAY CAUSE LOSS OF HUMAN LIFE, BODILY INJURY, SERIOUS PROPERTY DAMAGE AND/OR SERIOUS PUBLIC IMPACT ("UNINTENDED USE").** Except for specific applications as expressly stated in this document, Unintended Use includes, without limitation, equipment used in nuclear facilities, equipment used in the aerospace industry, lifesaving and/or life supporting medical equipment, equipment used for automobiles, trains, ships and other transportation, traffic signaling equipment, equipment used to control combustions or explosions, safety devices, elevators and escalators, and devices related to power plant. **IF YOU USE PRODUCT FOR UNINTENDED USE, TOSHIBA ASSUMES NO LIABILITY FOR PRODUCT.** For details, please contact your TOSHIBA sales representative or contact us via our website.
- Do not disassemble, analyze, reverse-engineer, alter, modify, translate or copy Product, whether in whole or in part.
- Product shall not be used for or incorporated into any products or systems whose manufacture, use, or sale is prohibited under any applicable laws or regulations.
- The information contained herein is presented only as guidance for Product use. No responsibility is assumed by TOSHIBA for any infringement of patents or any other intellectual property rights of third parties that may result from the use of Product. No license to any intellectual property right is granted by this document, whether express or implied, by estoppel or otherwise.
- **ABSENT A WRITTEN SIGNED AGREEMENT, EXCEPT AS PROVIDED IN THE RELEVANT TERMS AND CONDITIONS OF SALE FOR PRODUCT, AND TO THE MAXIMUM EXTENT ALLOWABLE BY LAW, TOSHIBA (1) ASSUMES NO LIABILITY WHATSOEVER, INCLUDING WITHOUT LIMITATION, INDIRECT, CONSEQUENTIAL, SPECIAL, OR INCIDENTAL DAMAGES OR LOSS, INCLUDING WITHOUT LIMITATION, LOSS OF PROFITS, LOSS OF OPPORTUNITIES, BUSINESS INTERRUPTION AND LOSS OF DATA, AND (2) DISCLAIMS ANY AND ALL EXPRESS OR IMPLIED WARRANTIES AND CONDITIONS RELATED TO SALE, USE OF PRODUCT, OR INFORMATION, INCLUDING WARRANTIES OR CONDITIONS OF MERCHANTABILITY, FITNESS FOR A PARTICULAR PURPOSE, ACCURACY OF INFORMATION, OR NONINFRINGEMENT.**
- Do not use or otherwise make available Product or related software or technology for any military purposes, including without limitation, for the design, development, use, stockpiling or manufacturing of nuclear, chemical, or biological weapons or missile technology products (mass destruction weapons). Product and related software and technology may be controlled under the applicable export laws and regulations including, without limitation, the Japanese Foreign Exchange and Foreign Trade Law and the U.S. Export Administration Regulations. Export and re-export of Product or related software or technology are strictly prohibited except in compliance with all applicable export laws and regulations.
- Please contact your TOSHIBA sales representative for details as to environmental matters such as the RoHS compatibility of Product. Please use Product in compliance with all applicable laws and regulations that regulate the inclusion or use of controlled substances, including without limitation, the EU RoHS Directive. **TOSHIBA ASSUMES NO LIABILITY FOR DAMAGES OR LOSSES OCCURRING AS A RESULT OF NONCOMPLIANCE WITH APPLICABLE LAWS AND REGULATIONS.**

Toshiba Electronic Devices & Storage Corporation

<https://toshiba.semicon-storage.com/>