

U-MOSIX-H 60V

Low V_{DS} spike products

Description

TPH1R306P1 is an advanced U-MOSIX-H process product, and its main target applications are the secondary synchronous rectifier of DC-DC converters and AC-DC converters, and motor drives. We have been mass-producing TPH1R306PL since December 2015. For low $R_{DS(ON)}$ products of the SOP Advance, which are often used in secondary synchronous rectifiers and motors, we are preparing a lineup of products that can reduce spike voltage, as well as high-efficiency standard products. TPH1R306P1 with low V_{DS} spike characteristics can reduce spike voltage and shorten ringing periods by making the internal gate resistance (r_g) value larger than the standard gate resistance one.

This application note compares and verifies the V_{DS} spike levels and ringing periods of TPH1R306PL and TPH1R306P1 on a power supply to confirm their effectiveness and also explains the mechanism of low V_{DS} spikes.

<Major Product Characteristics>

Part number	Generation	V_{DSS} (V)	$R_{DS(ON)}$ (m Ω) @ $V_{GS}=10$ V	Package	Feature
TPH1R306P1	U-MOSIX-H	60	1.28	SOP Advance	Low V_{DS} spike product
TPH1R306PL	U-MOSIX-H	60	1.34	SOP Advance	Standard product

Table of Contents

Description.....	1
Table of Contents.....	2
1. On-resistance Improvement for Each Generation.....	4
2. Loss Improvements and Structures of U-MOSVIII-H and IX-H Generations	4
2.1. Structures of U-MOSVIII-H and IX-H Generations.....	5
2.2. Structure of TPH1R306P1	5
2.3. Features of TPH1R306P1	5
3. Effects on the Secondary Side of DC-DC Converter	7
3.1. Effects of Optimized r_s	7
3.2. Theoretical Calculation of Voltage Spike.....	7
3.3. Measurement of t_{rr} Value of MOSFET.....	8
3.4. Actual Measurement by Isolated DC-DC Converter Evaluation Board.....	9
3.5. Conclusion of the Evaluation on the Secondary Side of Isolated DC-DC Converter.....	10
4. Effects on the Primary Side of DC-DC Converter	10
4.1. r_g Effects.....	10
4.2. MOSFET Switching Times and Gate Current	10
4.3. Measurement of Switching Time of MOSFET	11
4.4. Actual Measurement by Non-isolated DC-DC Converter Evaluation Board.....	11
4.5. Actual Measurement by Isolated DC-DC Converter Evaluation Board.....	12
4.6. Conclusion of the Evaluation on the Primary Side of Isolated DC-DC Converter	13
5. Product Selection According to the Purpose of Use	13
Points of Attention Regarding the Content	14
Precautions and Requests for Use.....	14
Notes on Handling	14
Points to Remember on Handling.....	14
RESTRICTIONS ON PRODUCT USE	15

List of Figures

Figure 1.1	Continuous Improvements of chip on-resistance (SOP Advance 30V products)	4
Figure 2.1	Reduction of conduction loss	4
Figure 2.2	Parasitic snubber circuit	5
Figure 3.1	LCR series resonant circuit	7
Figure 3.2	t_{rr} test circuit	8
Figure 3.3	t_{rr} operation waveforms	8
Figure 3.4	500W AC-DC converter evaluation board	9
Figure 3.5	Measured waveforms	9
Figure 3.6	Efficiency comparison by AC-DC converter evaluation board	10
Figure 4.1	Switching test circuit	11
Figure 4.2	Comparison of switching characteristics	11
Figure 4.3	Non-isolated DC-DC converter evaluation board (circuit diagram)	12
Figure 4.4	Comparison of switching waveforms on non-isolated DC-DC converter	12
Figure 4.5	Isolated DC-DC converter evaluation board (Full-bridge circuit)	12
Figure 4.6	Comparison of switching waveforms	13
Figure 4.7	Efficiency comparison	13

List of Tables

Table 2.1	Electrical characteristics of low V_{DS} spike product "TPH1R306P1"	6
Table 2.2	Electrical characteristics of standard product "TPH1R306PL"	6

1. On-resistance Improvement for Each Generation

Our low voltage MOSFETs have continuously improved their performance by optimizing device structures using superior fine process. The features are as follows.

- Low on-resistance characteristics using superior fine process
- Low-loss performance with improved trade-off between on-resistance and gate charge
- Lineup of a wide range of breakdown-voltage and packages for many kinds of applications
- High durability, represented by avalanche withstandability
- Device structure with suppressed switching noise to make the design easy

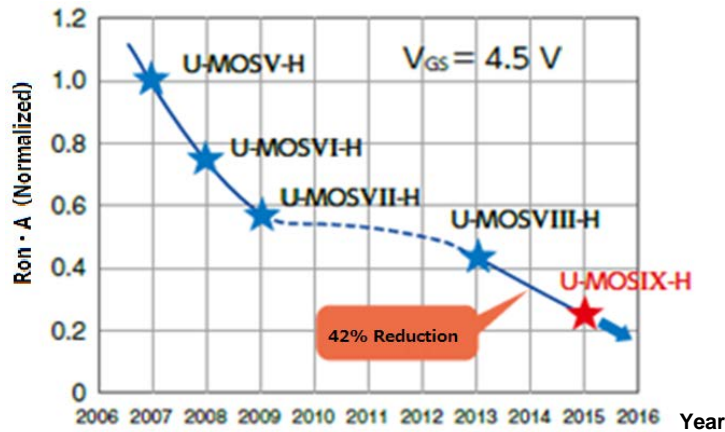


Figure 1.1 Continuous improvements of chip on-resistance (SOP Advance 30V products)

※ Ron·A: Drain-source on-resistance per unit area

2. Loss Improvements and Structures of U-MOSVIII-H and IX-H Generations

The U-MOSVIII-H and U-MOSIX-H generations have excellent MOSFET performance in "conduction loss and drive loss", "conduction loss and switching loss" and "conduction loss and output charge loss". The U-MOSIX-H generation, in particular, has been miniaturized and cell structure has been optimized to greatly reduce output charge losses, which are critical for power supply and motor-drive applications, from the U-MOSVIII-H generation.

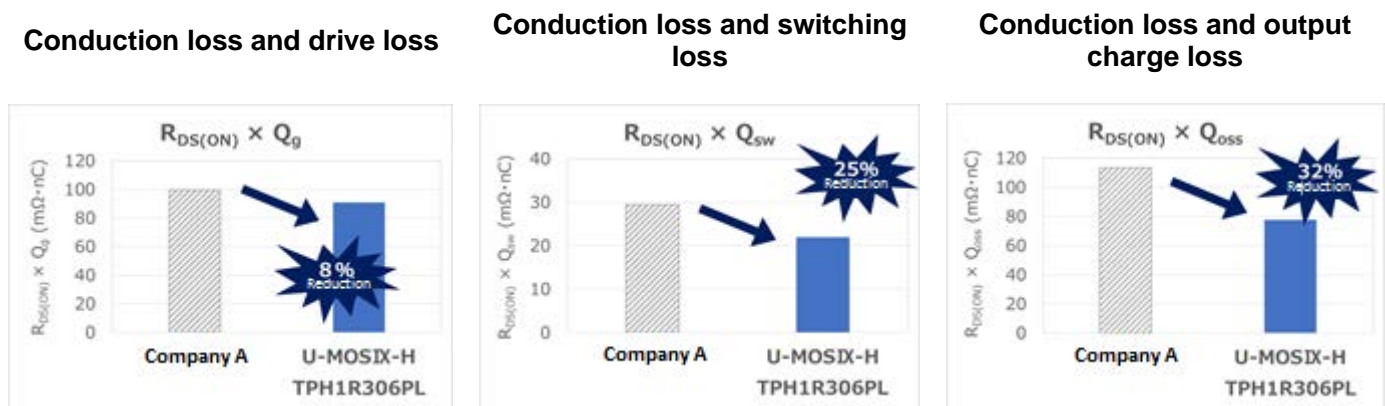


Figure 2.1 Reduction of conduction loss

※ For each parameter

- $R_{DS(ON)}$: Drain-source on-resistance [$m\Omega$] (an indicator of conduction loss)
- Q_g : Total gate charge [nC] (an indicator of driving loss)
- Q_{sw} : Gate switch charge [nC] (an indicator of switching loss)
- Q_{oss} : Output charge [nC] (an indicator of output charge loss)

2.1. Structures of U-MOSVIII-H and IX-H Generations

The U-MOSVIII-H and U-MOSIX-H generations adopt new structures in the gate trench to achieve the above-mentioned performance. Since the new structure has parasitic capacitance and parasitic resistance between the drain and source and the snubber (CR) circuit is constructed, the U-MOSVIII-H and IX-H generations can suppress spike voltage compared to conventional U-MOSVII-H generation.

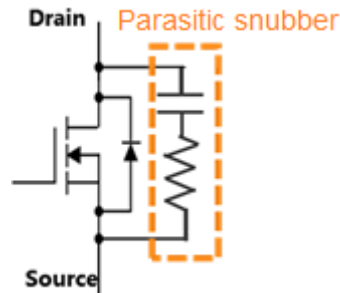


Figure 2.2 Parasitic snubber circuit

2.2. Structure of TPH1R306P1

As described in 2.1, the U-MOSIX-H generation TPH1R306PL adopts new trench structures and can achieve snubber effects. TPH1R306P1 optimizes the resistances of the gate and source by optimizing the patterns on the MOSFET surfaces in order to suppress spike voltage.

2.3. Features of TPH1R306P1

TPH1R306P1 (low V_{DS} spike product) optimizes r_g and r_s by optimizing surface patterns from TPH1R306PL (standard product). TPH1R306P1 has a lower $R_{DS(ON)}$ than TPH1R306PL does. The product characteristics are shown in Table 2.1 and 2.2.

Table 2.1 Electrical characteristics of low V_{DS} spike product “TPH1R306P1”

Item	Symbol	Measurement conditions	Minimum	Typical	Maximum	Unit
Gate leakage current	I_{GSS}	$V_{GS} = \pm 20\text{ V}, V_{DS} = 0\text{ V}$	-	-	± 0.1	nA
Drain cut-off current	I_{DSS}	$V_{DS} = 60\text{ V}, V_{GS} = 0\text{ V}$	-	-	10	nA
Drain-source breakdown voltage	$V_{(BR)DSS}$	$I_D = 10\text{ mA}, V_{GS} = 0\text{ V}$	60	-	-	V
Drain-source breakdown voltage	$V_{(BR)DSX}$	$I_D = 10\text{ mA}, V_{GS} = -20\text{ V}$	45	-	-	V
Gate threshold voltage	V_{th}	$V_{DS} = 10\text{ V}, I_D = 1.0\text{ mA}$	1.5	-	2.5	V
Drain-source on-resistance	$R_{DS(ON)}$	$V_{GS} = 4.5\text{ V}, I_D = 42\text{ A}$	-	1.5	2.3	m Ω
		$V_{GS} = 10\text{ V}, I_D = 50\text{ A}$	-	0.96	1.28	m Ω
Input capacitance	C_{iss}	$V_{DS} = 30\text{ V},$ $V_{GS} = 0\text{ V},$ $f = 1\text{ MHz}$	-	6250	8100	pF
Reverse transfer capacitance	C_{riss}		-	80	-	pF
Output capacitance	C_{oss}		-	1160	-	pF
Gate resistance	r_g	-	-	2.2	3.3	Ω
Switching time (rise time)	t_r		-	8	-	ns
Switching time (turn-on time)	t_{on}		-	20	-	ns
Switching time (fall time)	t_f		-	22	-	ns
Switching time (turn-off time)	t_{off}		-	92	-	ns
Reverse recovery time	t_{rr}		$V_R = 30\text{ V}, I_{DR} = 25\text{ A}, V_{GS} = 0\text{ V},$ $-di_{DR}/dt = 100\text{ A}/\mu\text{s}$	-	44	-

Table 2.2 Electrical characteristics of standard product “TPH1R306PL”

Item	Symbol	Measurement conditions	Minimum	Typical	Maximum	Unit
Gate leakage current	I_{GSS}	$V_{GS} = \pm 20\text{ V}, V_{DS} = 0\text{ V}$	-	-	± 0.1	nA
Drain cut-off current	I_{DSS}	$V_{DS} = 60\text{ V}, V_{GS} = 0\text{ V}$	-	-	10	nA
Drain-source breakdown voltage	$V_{(BR)DSS}$	$I_D = 10\text{ mA}, V_{GS} = 0\text{ V}$	60	-	-	V
Drain-source breakdown voltage	$V_{(BR)DSX}$	$I_D = 10\text{ mA}, V_{GS} = -20\text{ V}$	45	-	-	V
Gate threshold voltage	V_{th}	$V_{DS} = 10\text{ V}, I_D = 1.0\text{ mA}$	1.5	-	2.5	V
Drain-source on-resistance	$R_{DS(ON)}$	$V_{GS} = 4.5\text{ V}, I_D = 42\text{ A}$	-	1.5	2.3	m Ω
		$V_{GS} = 10\text{ V}, I_D = 50\text{ A}$	-	1.0	1.34	m Ω
Input capacitance	C_{iss}	$V_{DS} = 30\text{ V},$ $V_{GS} = 0\text{ V},$ $f = 1\text{ MHz}$	-	6250	8100	pF
Reverse transfer capacitance	C_{riss}		-	80	-	pF
Output capacitance	C_{oss}		-	1160	-	pF
Gate resistance	r_g	-	-	0.5	1.0	Ω
Switching time (rise time)	t_r		-	8.3	-	ns
Switching time (turn-on time)	t_{on}		-	20	-	ns
Switching time (fall time)	t_f		-	14.7	-	ns
Switching time (turn-off time)	t_{off}		-	70	-	ns
Reverse recovery time	t_{rr}		$V_R = 30\text{ V}, I_{DR} = 25\text{ A}, V_{GS} = 0\text{ V},$ $-di_{DR}/dt = 100\text{ A}/\mu\text{s}$	-	47	-

3. Effects on the Secondary Side of DC-DC Converter

3.1. Effects of optimized r_s

The secondary-side synchronous rectifier is often in the t_{rr} mode (reverse recovery mode of diode) and ringing occurs between the drain and the source. TPH1R306P1 suppresses ringing in t_{rr} mode by optimizing the parasitic resistor r_s with slight effect on power supply efficiency.

3.2. Theoretical Calculation of Voltage Spike

This section explains the mechanism for reducing V_{DS} spike by referring to the DC-DC buck converter shown in Figure 3.1 as LCR series resonant circuit. L is the stray inductance of the wire L_p , C_{ds} is capacitance between Drain and Source of the low-side MOSFET, and R is the r_s of the low-side MOSFET.

- ※ For each parameter
 - L (L_p): wiring parasitic inductance
 - C (C_{ds}): Drain-source capacitance of low-side MOSFET
 - R (r_s): r_s of the low-side MOSFET

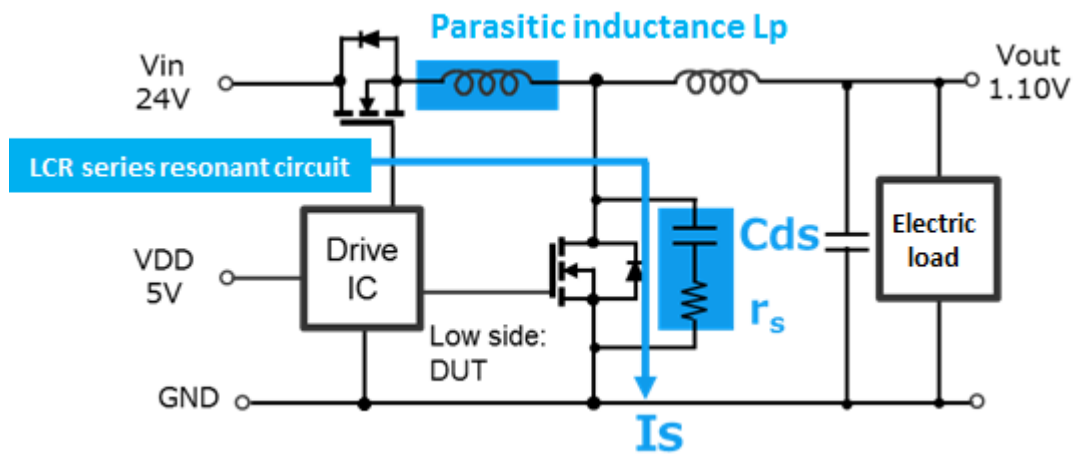


Figure 3.1 LCR series resonant circuit

When treated as an LCR series resonant circuit, it can be expressed as follows.

$$\text{Angular frequency of the LCR series resonant circuit } \omega_0 = \frac{1}{\sqrt{L_p \times C_{ds}}} \quad \text{-- equation (a)}$$

$$\text{Damping of the LCR series resonant circuit } \alpha_s = \frac{r_s}{2L_p} \quad \text{-- equation (b)}$$

$$\text{Attenuation coefficient of the LCR series resonant circuit } \zeta_s = \frac{\alpha_s}{\omega_0} \quad \text{-- equation (c)}$$

When equations (a) and (b) are substituted into equation (c), the attenuation coefficient of the LCR series resonance circuit ζ_s is,

$$\zeta_s = \frac{r_s}{2L_p} \times \sqrt{L_p \times C_{ds}} = \frac{r_s}{2} \times \sqrt{\frac{C_{ds}}{L_p}} \quad \text{-- equation (d)}$$

On the other hand, the voltage $V_{C_{ds}}$ across C_{ds} , which becomes spike voltage, is

$$V_{C_{ds}} = \frac{1}{\omega_0 \times C_{ds}} \times I_s$$

Here, $I_s = \frac{V_{in}}{r_s}$ is substituted for $I = \frac{V}{R}$ in the equation of the LCR series resonance circuit,

$$V_{Cds} = \frac{1}{\omega \times Cds} \times \frac{V_{in}}{r_s} = \frac{V_{in}}{\omega \times Cds \times r_s} = \frac{1}{r_s} \times Q \quad \text{-- equation (e)}$$

From equations (d) and (e), the attenuation coefficient and spike voltage can be expressed by the following equations.

$$\text{Attenuation coefficient } \zeta_s = \frac{r_s}{2} \times \sqrt{\frac{Cds}{Lp}} \quad \text{-- equation (f)}$$

$$\text{Spike voltage } V_{Cds} = \frac{1}{r_s} \times Q \quad \text{-- equation (g)}$$

$$\text{Where } Q = \frac{V_{in}}{\omega \times Cds} .$$

Since there is an r_s in the numerator in equation (f), the larger the r_s , the larger the attenuation factor ζ_s , and the faster the rate of attenuation. Therefore, the larger the r_s , the faster the ringing converges. Equation (g) also shows that the larger the r_s , the smaller the spike voltage V_{Cds} , since the denominator has the r_s .

Considering TPH1R306P1 and TPH1R306PL, the Cds , Lp , and Q are the same. TPH1R306P1 (low V_{DS} spike product) is designed to have a larger r_s than the TPH1R306PL (standard product), so the following effects can be obtained.

- [1] Spike voltage decreases.
- [2] Ringing converges become faster

3.3. Measurement of t_{rr} Value of MOSFET

The operation waveforms and effects of our products were checked under the t_{rr} mode, which is the most problematic of the secondary synchronous rectifiers of switching power supplies. The V_{DS} spike at the beginning of t_{rr} mode was reproduced by the evaluation circuit shown in Figure 3.2, and the t_{rr} was measured.

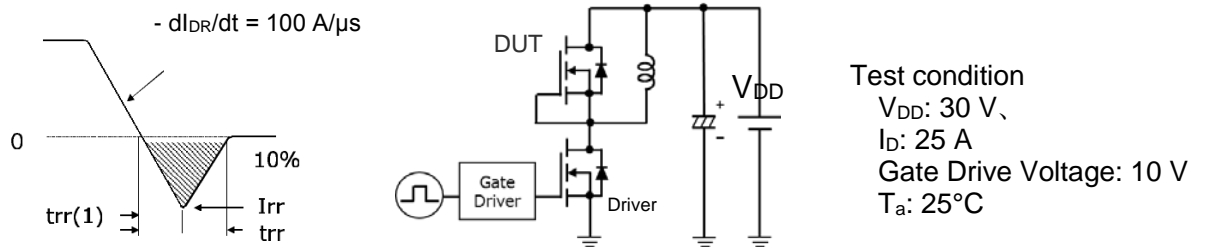


Figure 3.2 t_{rr} test circuit

Figure 3.3 shows the measured operating waveforms.

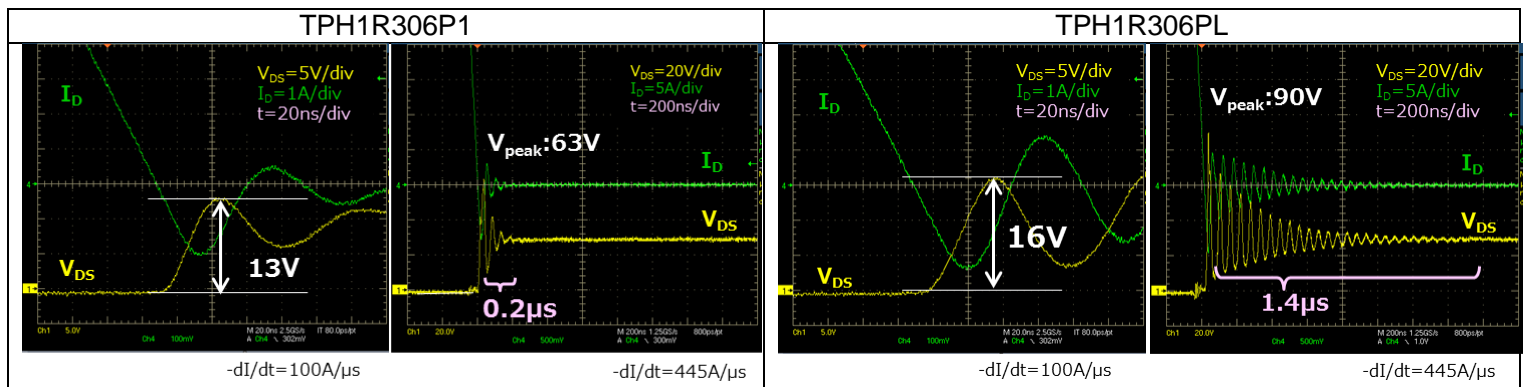


Figure 3.3 t_{rr} operation waveforms

Figure 3.3 shows that TPH1R306P1 has smaller V_{DS} spike and shorter ringing periods than TPH1R306PL. The results show that the TPH1R306P1 is suitable for secondary synchronous rectification because of low-noise performance.

3.4. Actual Measurement by Isolated DC-DC Converter Evaluation Board

The effect of low V_{DS} spike product is confirmed by MOSFET device test. Thus, we evaluate MOSFET in the power supply. We compare the V_{DS} spike, ringing periods and efficiency on the 500 W AC-DC converter evaluation board of the circuit shown in Figure 3.4.

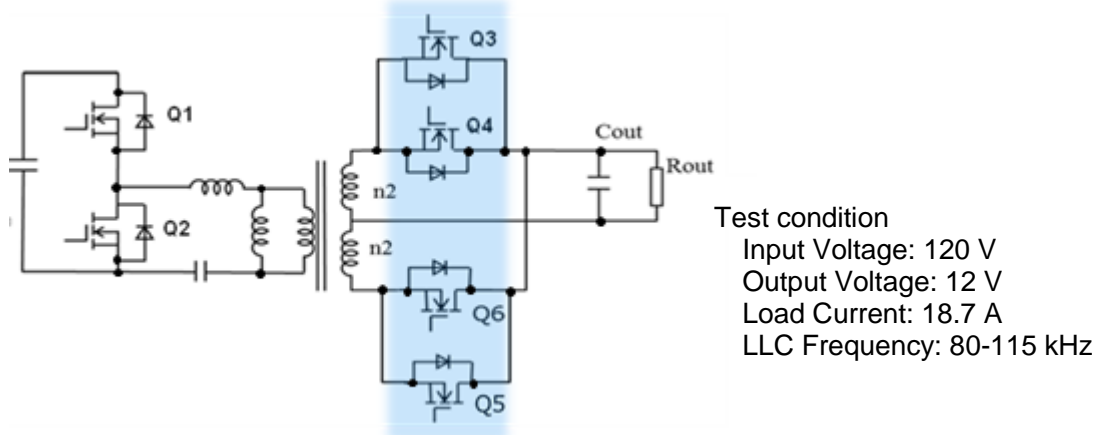


Figure 3.4 500W AC-DC converter evaluation board

The operating waveforms of MOSFET are shown in Figure 3.5.

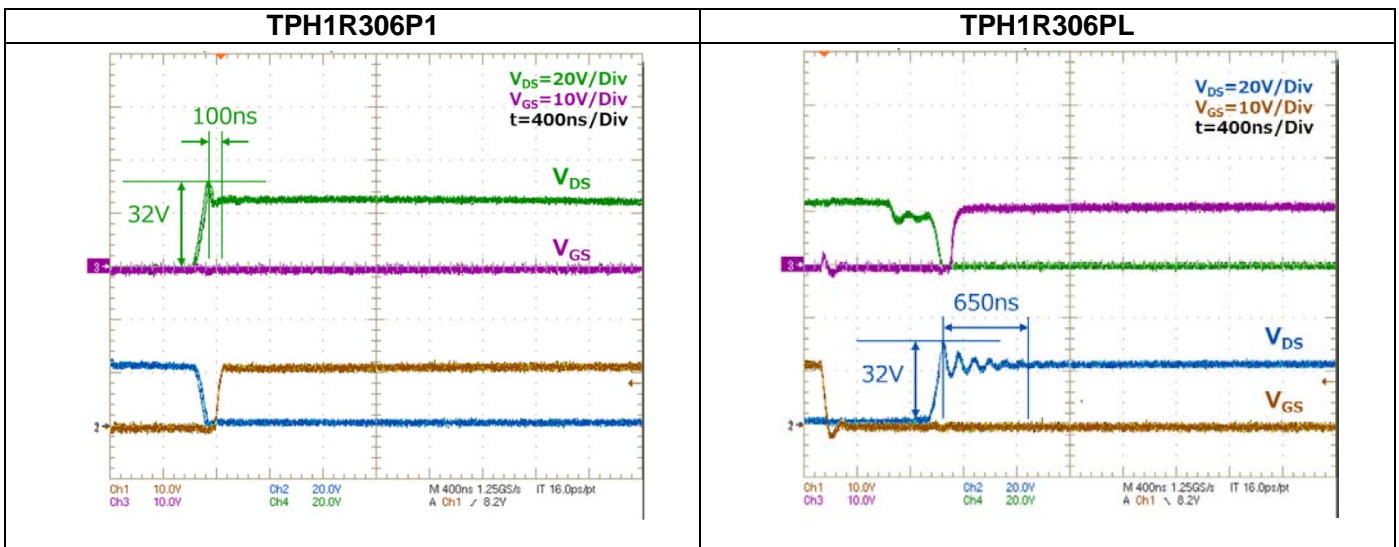


Figure 3.5 Measured waveforms on 500W AC-DC converter evaluation board

The waveforms show that TPH1R306P1 reduced ringing from 650 ns to 100 ns compared to TPH1R306PL. On the other hand, the levels of V_{DS} spike remained same on this board. However, V_{DS} spike is expected to be reduced in some power supplies.

We also compared the efficiencies of TPH1R306P1 and TPH1R306PL. The results are shown in Figure 3.6.

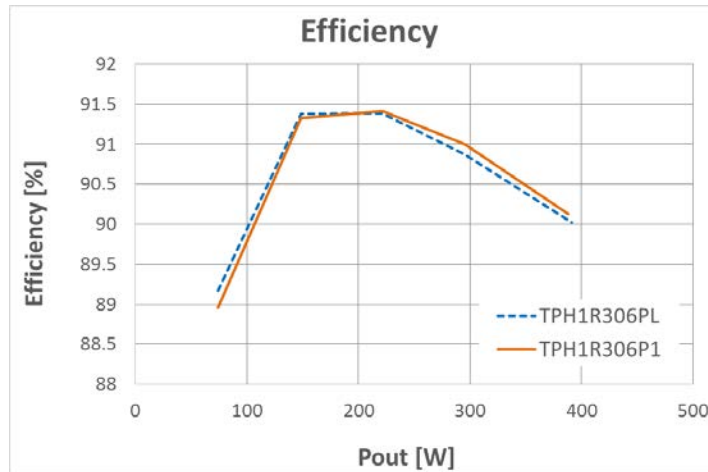


Figure 3.6 Efficiency comparison by AC-DC converter evaluation board

As shown in Figure 3.6, there are no significant differences in efficiency, but the results show that the standard product is slightly more efficient in the low current range, and that the low V_{DS} spike product is slightly more efficient in the high current range.

The switching loss of the low V_{DS} spike product is large in the low current range due to the effect of r_g , and the conduction loss is small in the high current range due to the effect of $R_{DS(ON)}$.

3.5. Conclusion of the Evaluation on the Secondary Side of Isolated DC-DC Converter

It has been confirmed that the low- V_{DS} spike product, TPH1R306P1, with TPH1R306PL cell layout modified, can significantly reduce ringing periods in the secondary synchronous rectifier.

4. Effects on the Primary Side of DC-DC Converter

4.1. r_g Effects

The low V_{DS} spike product has a larger r_g than the standard product, so when used on the primary side of the power supply, it switches slowly and is less efficient, but the V_{DS} spike is suppressed.

4.2. MOSFET Switching Times and Gate Current

This section briefly explains the effect of the gate resistance r_g on the switching time (t_{off}).

Than $Q=It$

$$Q_g = I_G t_{off}$$

$$\leftrightarrow t_{off} = \frac{Q_g}{I_G} \quad \text{--- equation (h)}$$

From $V = IR$,

$$V_{GS} = I_G (r_g + R_G)$$

$$\leftrightarrow I_G = \frac{V_{GS}}{(r_g + R_G)} \quad \text{--- equation (i)}$$

It can be seen from equation (h) that the larger the r_g , the smaller the I_G . It can be seen from equation (f) that the smaller the I_G , the larger the t_{off} , since Q_g remains unchanged. That is, the larger the r_g , the smaller the I_G and the slower the t_{off} (turn-off time).

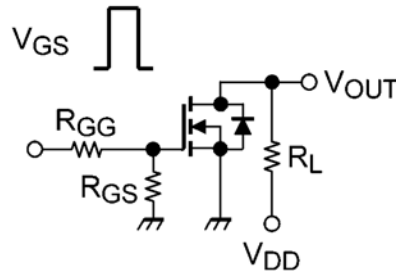
※ The symbols shown here represent the following:

- Q_g : Total gate charge (nC),
- I_G : Gate current (A),
- t_{off} : Turn-off time (ns),
- V_{GS} : G-S voltage (V),
- r_g : Internal gate resistance (Ω),
- R_G : External gate resistance (Ω)

Detailed description of gate drive is omitted. Please refer to our application note "MOSFET gate drive circuits" for more information.

4.3. Measurement of Switching Time of MOSFET

As described above, theoretically, a large r_g can reduce V_{DS} spike. We compared the switching characteristics of low- V_{DS} spike products with those of standard products using the test circuit shown in Figure 4.1. Test condition is $V_{DS} = 30\text{ V}$, $I_D = 50\text{ A}$, $R_{GG} = R_{GS} = 4.7\ \Omega$.



Test condition
 $V_{DS}: 30\text{ V}$
 $I_D: 50\text{ A}$
 $R_{GG}=R_{GS}: 4.7\ \Omega$
 Gate Drive Voltage: 10 V

Figure 4.1 Switching test circuit

Figure 4.2 shows the results of comparison of switching characteristics. The spike voltage was 73.7 V for TPH1R306P1, while the spike voltage was 84.8 V for TPH1R306PL. TPH1R306P1 shows ability to suppress V_{DS} spike.

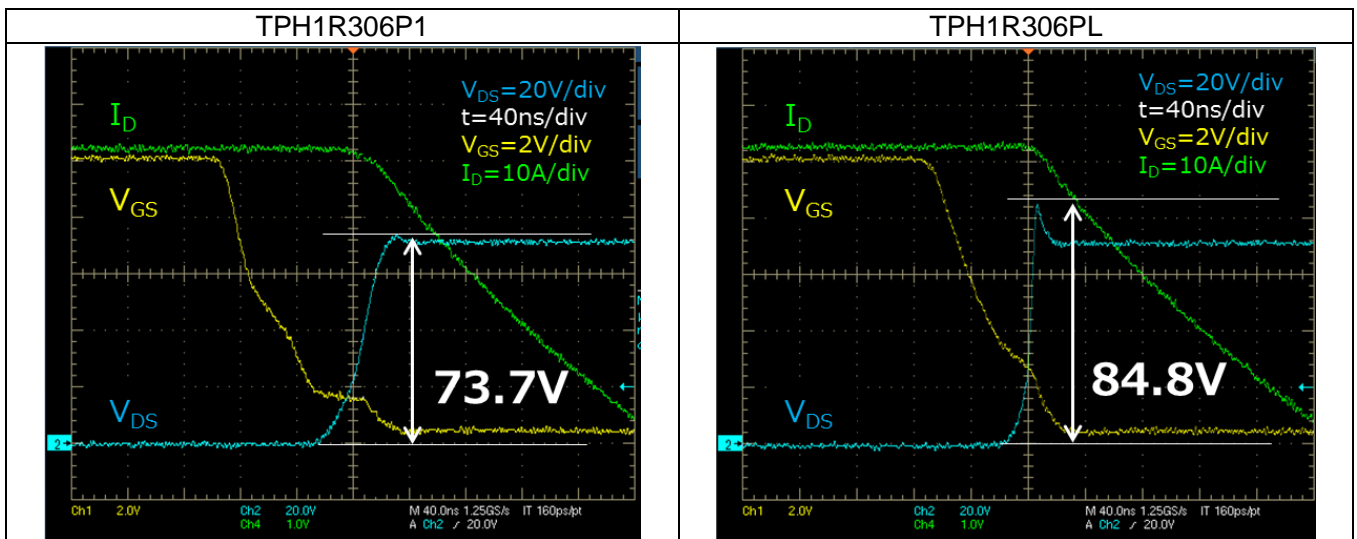


Figure 4.2 Comparison of switching characteristics

4.4. Actual Measurement by Non-isolated DC-DC Converter Evaluation Board

Similar evaluation is performed on power supply to verify the effects of increasing the r_g . The following shows comparison of V_{DS} spike and ringing on a non-isolated DC-DC converter evaluation board as shown in Figure 4.3.

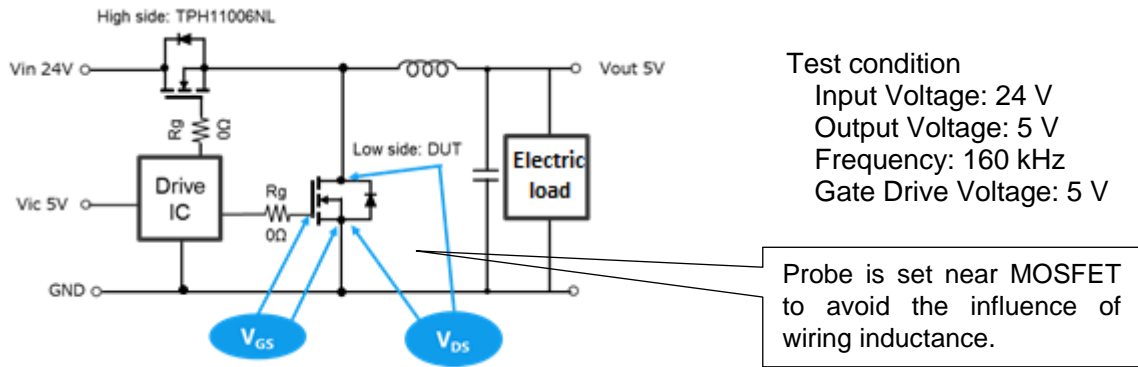


Figure 4.3 Non-isolated DC-DC converter evaluation board (circuit diagram)

The results are shown in Figure 4.4. V_{DS} spike decreased from 44.0 V to 32.0 V, and ringing periods decreased from 88 ns to 40 ns. From this result, the TPH1R306P1 of low V_{DS} spike product can be expected to reduce V_{DS} spike and ringing periods even on the primary side.

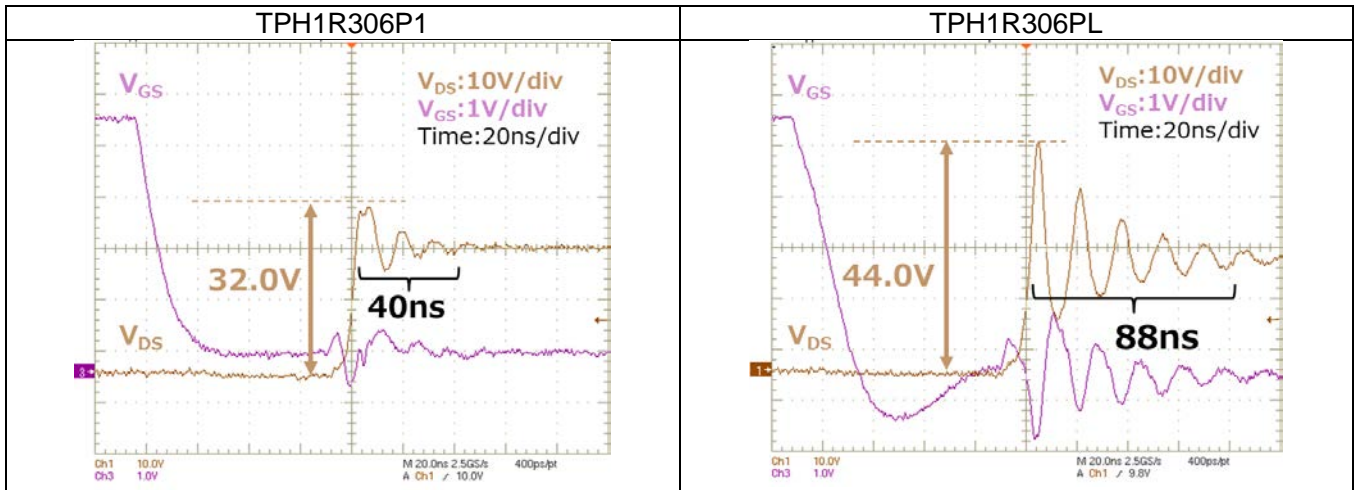


Figure 4.4 Comparison of switching waveforms on non-isolated DC-DC converter

4.5. Actual Measurement by Isolated DC-DC Converter Evaluation Board

In addition, the same evaluation was performed on the isolated DC-DC converter evaluation board as shown in Figure 4.5.

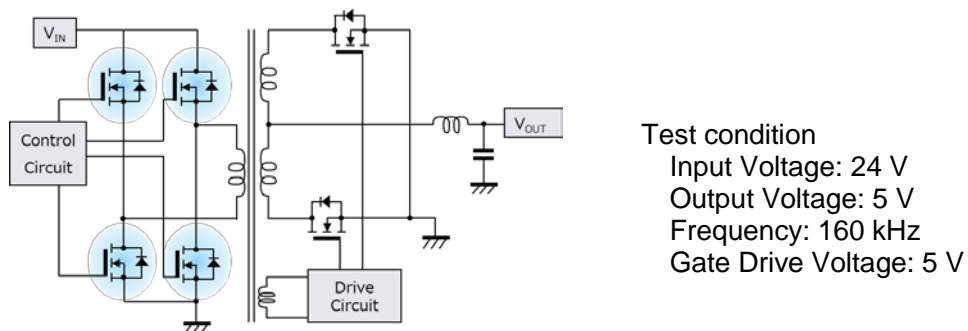


Figure 4.5 Isolated DC-DC converter evaluation board (Full-bridge circuit)

The switching waveform is shown in Figure 4.6.

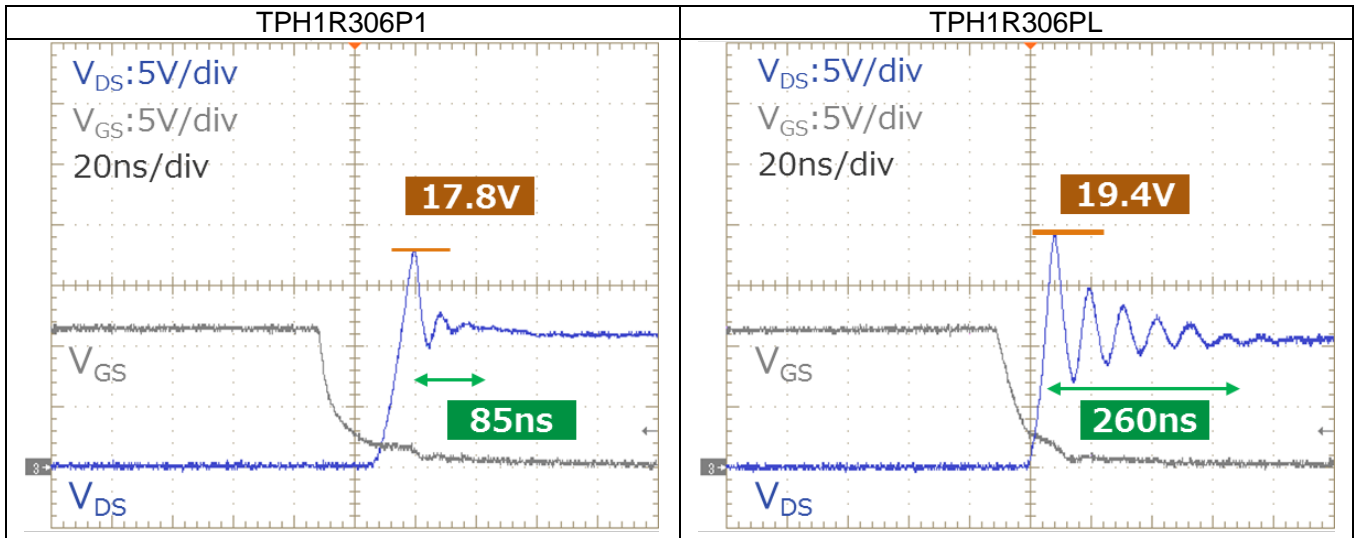


Figure 4.6 Comparison of switching waveforms

TPH1R306P1 (low V_{DS} spike product) is effective in reducing V_{DS} spike and ringing period on primary side compared to TPH1R306PL.

The results show that V_{DS} spike and ringing are reduced by using TPH1R306P1 for the primary side of isolated DC-DC converter.

The efficiency results are shown in Figure 4.7.

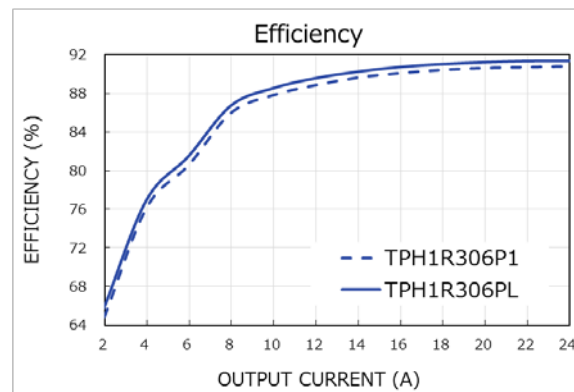


Figure 4.7 Efficiency comparison

TPH1R306P1 is slightly less efficient when used on the primary side.

4.6. Conclusion of the evaluation on the primary side of isolated DC-DC converter

TPH1R306P1 (low V_{DS} spike product) is effective in reducing V_{DS} spike and ringing period not only in synchronous rectification operation on the secondary side but also in switching operation on the primary side.

5. Product Selection According to the Purpose of Use

Low V_{DS} spike product TPH1R306P1 is a product with r_g larger than TPH1R306PL. This is useful for reducing V_{DS} spike and ringing period on both the primary and secondary sides. In particular, the secondary side can be expected to reduce V_{DS} spike and ringing period by optimizing r_s .

On the other hand, we reaffirmed that the standard product TPH1R306PL is more efficient on the primary side than the low V_{DS} spike product TPH1R306P1.

Our U-MOSIX-H 60 V lineup includes both TPH1R306P1 of low V_{DS} spike product and a TPH1R306PL of standard product. We recommend to select the most appropriate product for the equipment.

Points of Attention Regarding the Content

1. Block diagram

Some of the functional blocks, circuits, constants, etc. in the block diagram may be omitted or simplified in order to explain the functions.

2. Equivalent circuit

Some of the equivalent circuits may be omitted or simplified to explain the circuits.

Precautions and Requests for Use

Notes on Handling

- (1) Absolute Maximum Rating is a specification that must not exceed any one value of multiple ratings at any instant in time.
It cannot be exceeded for any of several ratings. Exceeding the absolute maximum rating may cause damage, damage, and deterioration, which may result in damage due to rupture or combustion.

- (2) Use an appropriate power supply fuse to prevent a large current from continuing to flow in the event of an overcurrent or IC failure. The IC may be damaged due to usage exceeding the absolute maximum rating, incorrect wiring, abnormal pulse noise induced by wiring or load, etc. As a result, a large current may continue to flow through the IC, resulting in smoke and fire. It is necessary to set the capacity of the fuse, the blowing time, the position of the inserted circuit, etc. in order to minimize the influence by assuming the inflow and outflow of a large current in the case of breakage.

Points to Remember on Handling

- (1) Overcurrent detection circuit
The overcurrent detection circuit does not protect the IC in any case. After operation, promptly cancel the overcurrent condition.
Otherwise, the over-current limiting circuit may not operate properly or the IC may be damaged before operating. If an overcurrent continues to flow for a long time after operation, the IC may be damaged due to heat generation, depending on the operation method and conditions.

- (2) Heat-blocking circuit
A thermal shutdown circuit (usually a thermal shutdown circuit) does not protect the IC in any case. Release the heating condition immediately after operation.
If the product is used in excess of the absolute maximum rating, the heat interruption circuit may not operate properly or the IC may be damaged before it operates.

RESTRICTIONS ON PRODUCT USE

Toshiba Corporation and its subsidiaries and affiliates are collectively referred to as "TOSHIBA". Hardware, software and systems described in this document are collectively referred to as "Product".

- TOSHIBA reserves the right to make changes to the information in this document and related Product without notice.
- This document and any information herein may not be reproduced without prior written permission from TOSHIBA. Even with TOSHIBA's written permission, reproduction is permissible only if reproduction is without alteration/omission.
- Though TOSHIBA works continually to improve Product's quality and reliability, Product can malfunction or fail. Customers are responsible for complying with safety standards and for providing adequate designs and safeguards for their hardware, software and systems which minimize risk and avoid situations in which a malfunction or failure of Product could cause loss of human life, bodily injury or damage to property, including data loss or corruption. Before customers use the Product, create designs including the Product, or incorporate the Product into their own applications, customers must also refer to and comply with (a) the latest versions of all relevant TOSHIBA information, including without limitation, this document, the specifications, the data sheets and application notes for Product and the precautions and conditions set forth in the "TOSHIBA Semiconductor Reliability Handbook" and (b) the instructions for the application with which the Product will be used with or for. Customers are solely responsible for all aspects of their own product design or applications, including but not limited to (a) determining the appropriateness of the use of this Product in such design or applications; (b) evaluating and determining the applicability of any information contained in this document, or in charts, diagrams, programs, algorithms, sample application circuits, or any other referenced documents; and (c) validating all operating parameters for such designs and applications. **TOSHIBA ASSUMES NO LIABILITY FOR CUSTOMERS' PRODUCT DESIGN OR APPLICATIONS.**
- **PRODUCT IS NEITHER INTENDED NOR WARRANTED FOR USE IN EQUIPMENTS OR SYSTEMS THAT REQUIRE EXTRAORDINARILY HIGH LEVELS OF QUALITY AND/OR RELIABILITY, AND/OR A MALFUNCTION OR FAILURE OF WHICH MAY CAUSE LOSS OF HUMAN LIFE, BODILY INJURY, SERIOUS PROPERTY DAMAGE AND/OR SERIOUS PUBLIC IMPACT ("UNINTENDED USE").** Except for specific applications as expressly stated in this document, Unintended Use includes, without limitation, equipment used in nuclear facilities, equipment used in the aerospace industry, lifesaving and/or life supporting medical equipment, equipment used for automobiles, trains, ships and other transportation, traffic signaling equipment, equipment used to control combustions or explosions, safety devices, elevators and escalators, and devices related to power plant. **IF YOU USE PRODUCT FOR UNINTENDED USE, TOSHIBA ASSUMES NO LIABILITY FOR PRODUCT.** For details, please contact your TOSHIBA sales representative or contact us via our website.
- Do not disassemble, analyze, reverse-engineer, alter, modify, translate or copy Product, whether in whole or in part.
- Product shall not be used for or incorporated into any products or systems whose manufacture, use, or sale is prohibited under any applicable laws or regulations.
- The information contained herein is presented only as guidance for Product use. No responsibility is assumed by TOSHIBA for any infringement of patents or any other intellectual property rights of third parties that may result from the use of Product. No license to any intellectual property right is granted by this document, whether express or implied, by estoppel or otherwise.
- **ABSENT A WRITTEN SIGNED AGREEMENT, EXCEPT AS PROVIDED IN THE RELEVANT TERMS AND CONDITIONS OF SALE FOR PRODUCT, AND TO THE MAXIMUM EXTENT ALLOWABLE BY LAW, TOSHIBA (1) ASSUMES NO LIABILITY WHATSOEVER, INCLUDING WITHOUT LIMITATION, INDIRECT, CONSEQUENTIAL, SPECIAL, OR INCIDENTAL DAMAGES OR LOSS, INCLUDING WITHOUT LIMITATION, LOSS OF PROFITS, LOSS OF OPPORTUNITIES, BUSINESS INTERRUPTION AND LOSS OF DATA, AND (2) DISCLAIMS ANY AND ALL EXPRESS OR IMPLIED WARRANTIES AND CONDITIONS RELATED TO SALE, USE OF PRODUCT, OR INFORMATION, INCLUDING WARRANTIES OR CONDITIONS OF MERCHANTABILITY, FITNESS FOR A PARTICULAR PURPOSE, ACCURACY OF INFORMATION, OR NONINFRINGEMENT.**
- Do not use or otherwise make available Product or related software or technology for any military purposes, including without limitation, for the design, development, use, stockpiling or manufacturing of nuclear, chemical, or biological weapons or missile technology products (mass destruction weapons). Product and related software and technology may be controlled under the applicable export laws and regulations including, without limitation, the Japanese Foreign Exchange and Foreign Trade Law and the U.S. Export Administration Regulations. Export and re-export of Product or related software or technology are strictly prohibited except in compliance with all applicable export laws and regulations.
- Please contact your TOSHIBA sales representative for details as to environmental matters such as the RoHS compatibility of Product. Please use Product in compliance with all applicable laws and regulations that regulate the inclusion or use of controlled substances, including without limitation, the EU RoHS Directive. **TOSHIBA ASSUMES NO LIABILITY FOR DAMAGES OR LOSSES OCCURRING AS A RESULT OF NONCOMPLIANCE WITH APPLICABLE LAWS AND REGULATIONS.**