

M4K Group (1)
Application Note
Flash Memory
(FLASH256-B)

Outlines

This application note is a reference material for developing products using the Flash memory (FLASH) of M4K Group (1).

This document helps the user check operation of the product and develop its program.

Target sample program: Flash_Userboot

Table of Contents

Outlines	1
Table of Contents	2
1. Preface	4
2. Reference Document	4
3. Function to Use	4
4. Target Device	4
5. Operation Confirmation Condition	5
6. Evaluation Board Operation	5
7. Sample Program	6
7.1. Structure Diagram of Sample Program	6
7.2. Startup Routine	6
7.3. Main Operation	6
7.4. Output Example of Terminal Software	8
7.4.1. Setting Example of Terminal Software	8
7.5. Operating Flow of Sample Program	9
8. Points to Remember on Handling of Sample Programs	28
9. Revision History	28
RESTRICTIONS ON PRODUCT USE	29

Arm and Keil are registered trademarks of Arm Limited (or its subsidiaries) in the US and/or elsewhere.

All other company names, product names, and service names mentioned herein may be trademarks of their respective companies.

1. Preface

This sample program is used to exchange 2 data each other in the Code Flash memory.
This sample program lights on and off the LED's using the 2 data stored in the Code Flash memory.
The 2 data in the Code Flash memory are replaced each other by push-down of a push switch.
The LED lighting and lights-off are controlled by the content in the data table.

2. Reference Document

1. Datasheet
TMPM4K Group (1) datasheet Rev2.0 (Japanese edition)
2. Reference manual
Flash Memory (FLASH256-B) Rev1.1
Asynchronous Serial Communication Circuit (UART-C) Rev3.0 (Japanese edition)
Input/Output Ports (PORT-M4K(1)) Rev2.0 (Japanese edition)
3. Application note
M4K Group (1) Application Note Startup (CMSIS System & Clock Configuration) Rev1.0
4. Other reference document
TMPM4KxA Group Peripheral Driver User Manual (Doxygen) V1.0.4.0

3. Function to Use

IP	Channel	Port	Function/Operation mode
Asynchronous Serial Communication Circuit	ch0	PK0 (UT0RXD) PK1 (UT0TXDA)	UART mode
Flash Memory	-	-	Code Flash memory
Input/Output Ports	-	PJ0 (Output Port)	Output
	-	PJ2 (Output Port)	
	-	PJ4 (Output Port)	
	-	PL4 (Output Port)	
	-	PE2 (Input port)	Input

4. Target Device

The target devices of this application note are as follows;

TMPM4K4FYAUG	TMPM4K4FWAUG	TMPM4K4FUAUG	TMPM4K4FSAUG
TMPM4K4FYAFG	TMPM4K4FWAFG	TMPM4K4FUAFG	TMPM4K4FSAFG
TMPM4K2FYADUG	TMPM4K2FWADUG	TMPM4K2FUADUG	TMPM4K2FSADUG
TMPM4K1FYAUG	TMPM4K1FWAUG	TMPM4K1FUAUG	TMPM4K1FSAUG
			TMPM4K0FSADUG

* This sample program operates on the evaluation board of TMPM4K4FYAUG.

If other function than the TMPM4K4 one is checked, it is necessary that CMSIS Core related files (the startup file and I/O header file) should be changed properly.

Additionally, the name of microcontroller which is set to the project should be changed.

The BSP related file is dedicated to the evaluation board (TMPM4K4FYAUG). If other function than the TMPM4K4 one is checked, the BSP related file should be changed properly.

5. Operation Confirmation Condition

Used microcontroller	TMPM4K4FYAUG
Used board	TMPM4K4 evaluation board (Product of ESP-kikaku Co. Ltd.)
Integrated development environment	IAR Embedded Workbench for ARM 8.22.2
Integrated development environment	Arm® Keil® MDK Version 5.24.2.0
Terminal software	Tera Term V4.96
Sample program	v1.0.0

6. Evaluation Board Operation

The USB_UART connector on the evaluation board should be connected to a PC.

Data A and Data B are prepared in the sample program.

The Data A and the Data B are exchanged each other to change the reference data when a corresponding push switch is pushed down.

The following table shows the outputs of the ports when each data is referred.

Table 6-1 Data reference and Port outputs

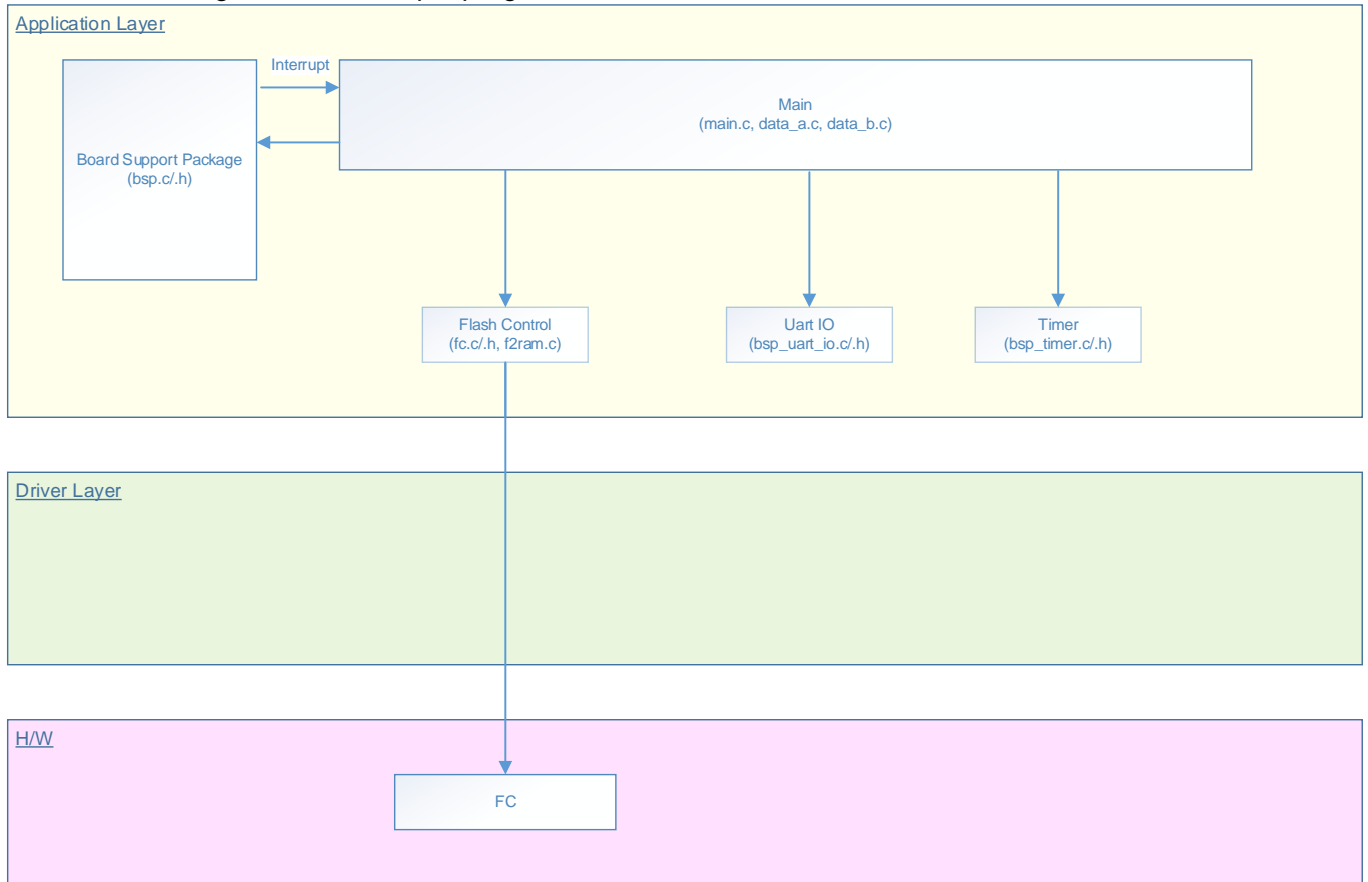
Data reference	PJ0	PJ2	PJ4	PL4
Data A	L/H	H	L/H	H
Data B	H	L/H	H	L/H

Note: The PJ0, the PJ2, and the PJ4 are connected to the LED1, the LED2, and the LED3, respectively.

7. Sample Program

7.1. Structure Diagram of Sample Program

The structure diagram of the sample program is shown below.



7.2. Startup Routine

The following initialization is done after power is supplied.

The initialization of each clock setting and the initialization of the watchdog timer setting are done.

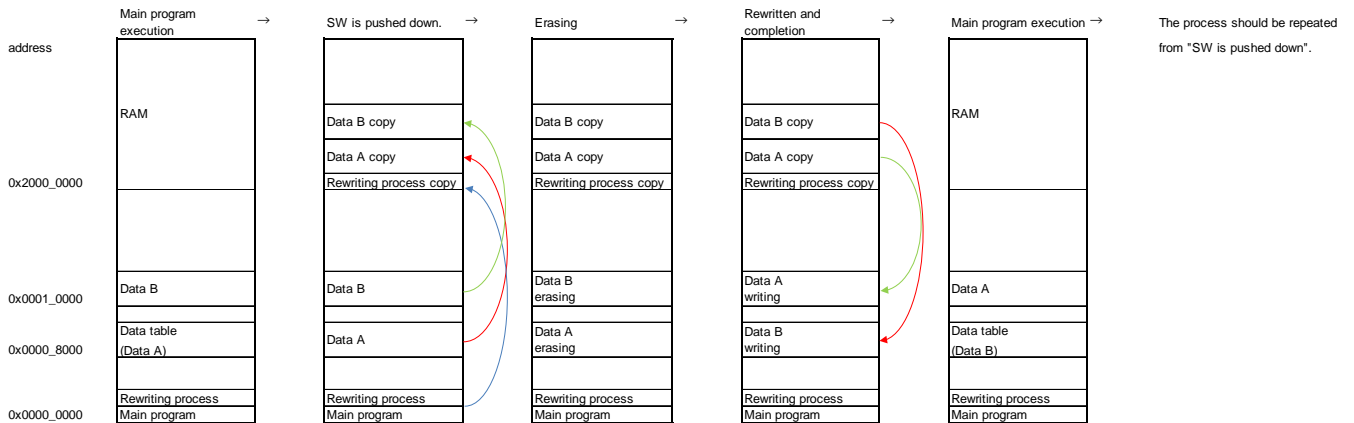
7.3. Main Operation

The initialization of the BSP is done.

The initialization of the driver is done.

The initialization of the application software is done.

The initialization of the timer, the initialization of the LED's, the initialization of the push switch, and the initialization of the UART are done as the initialization of the application software.



- **Main program execution**
The Code Flash memory has Data region and Data table region.
- **SW is pushed down**
When the push switch is pushed down, the Data A and the Data B in the Code Flash memory are copied to the RAM.
- **Erasing**
The Code Flash memory is erased after the copy completes.
- **Re-write and completion**
The Data B in the RAM is written to the region where the Data A used to be stored in the Code Flash memory. And the Data A is written to the region where the Data B used to be stored in the Code Flash memory.
- **Main program execution**
After the process completes, the data table is read again, and the content of the Data B is executed.

The same process is done whenever the push switch is pushed down.

The main program controls the output port referring to the data table.

The Data A and Data B interchange each other in the data table.

The output of each port is toggled between High and Low levels by the timer interrupt. (Refer to Table 6-1.)

It is toggled every 1 second.

Since the data are written to the Code Flash memory, for example, if the reset switch is pushed down with storing the Data B in the table region, the ports are controlled referring to the Data B.

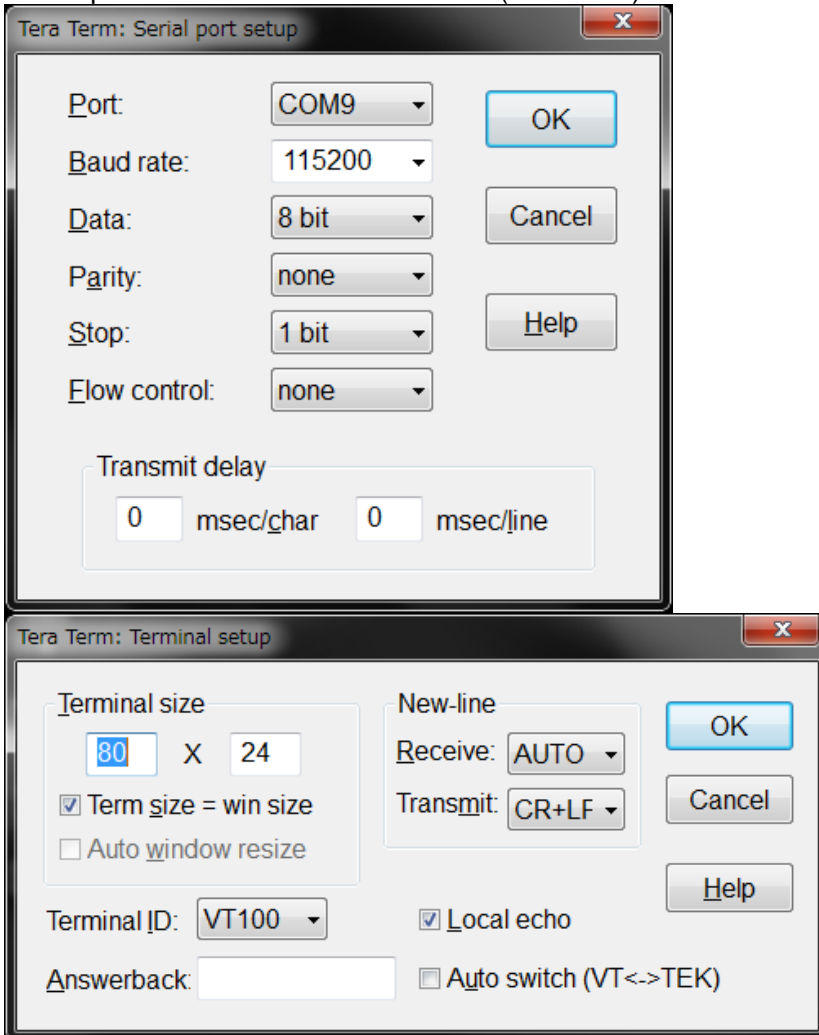
7.4. Output Example of Terminal Software

When the sample program is executed, the re-write log of the Flash memory is output as shown in the following figure.

```
*****  
Execute Data A  
*****  
Please press the S7  
RAM transferring.  
Erasing.  
Rewriting.  
Finished.  
*****  
Execute Data B  
*****  
Please press the S7  
RAM transferring.  
Erasing.  
Rewriting.  
Finished.  
*****  
Execute Data A  
*****  
Please press the S7
```

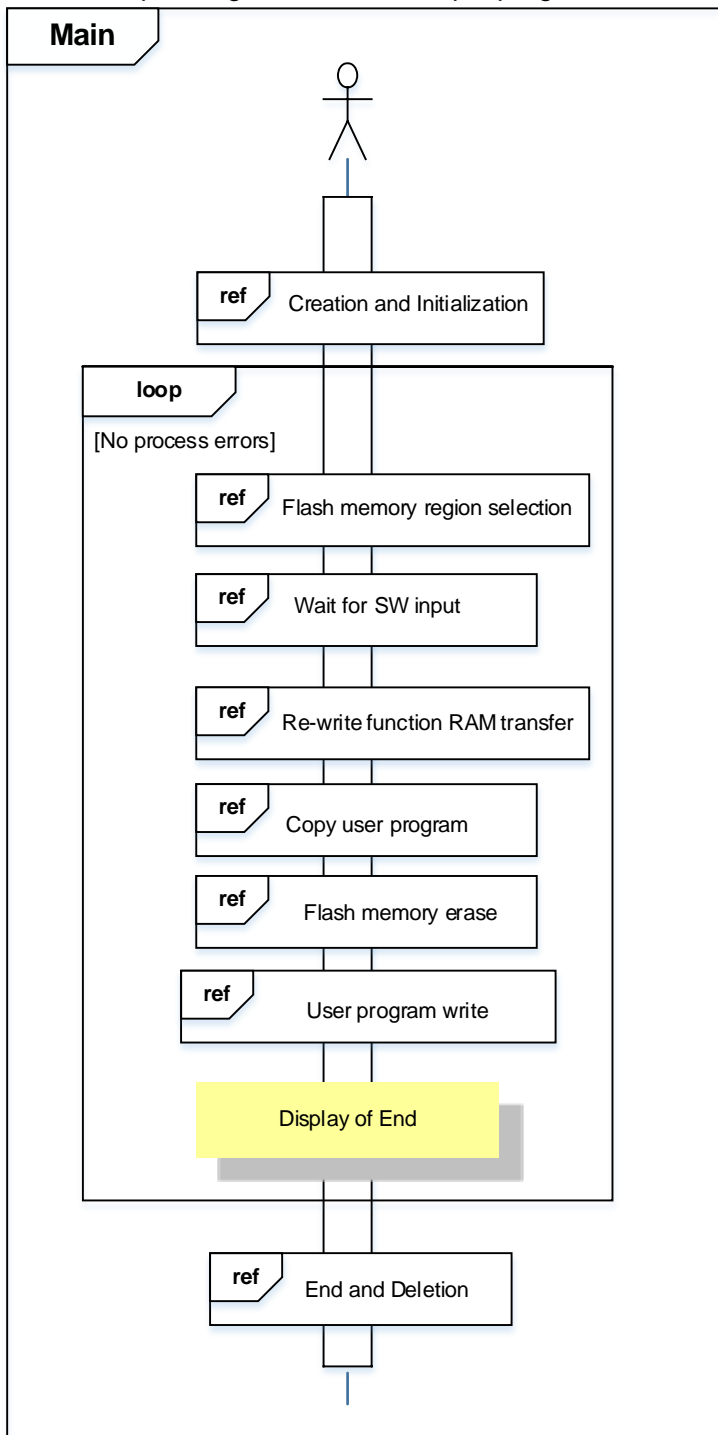
7.4.1. Setting Example of Terminal Software

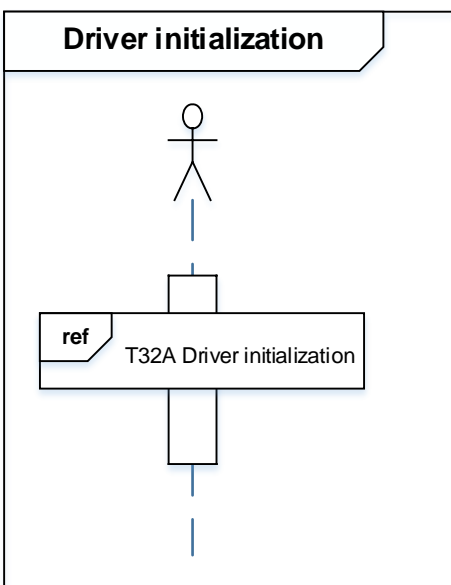
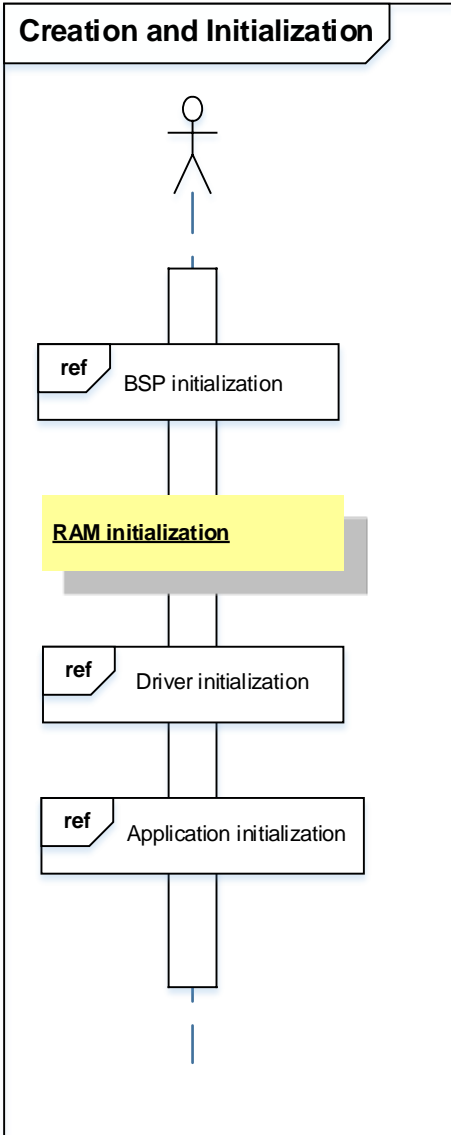
The operation of the terminal software (Tera Term) has been checked with the following settings.

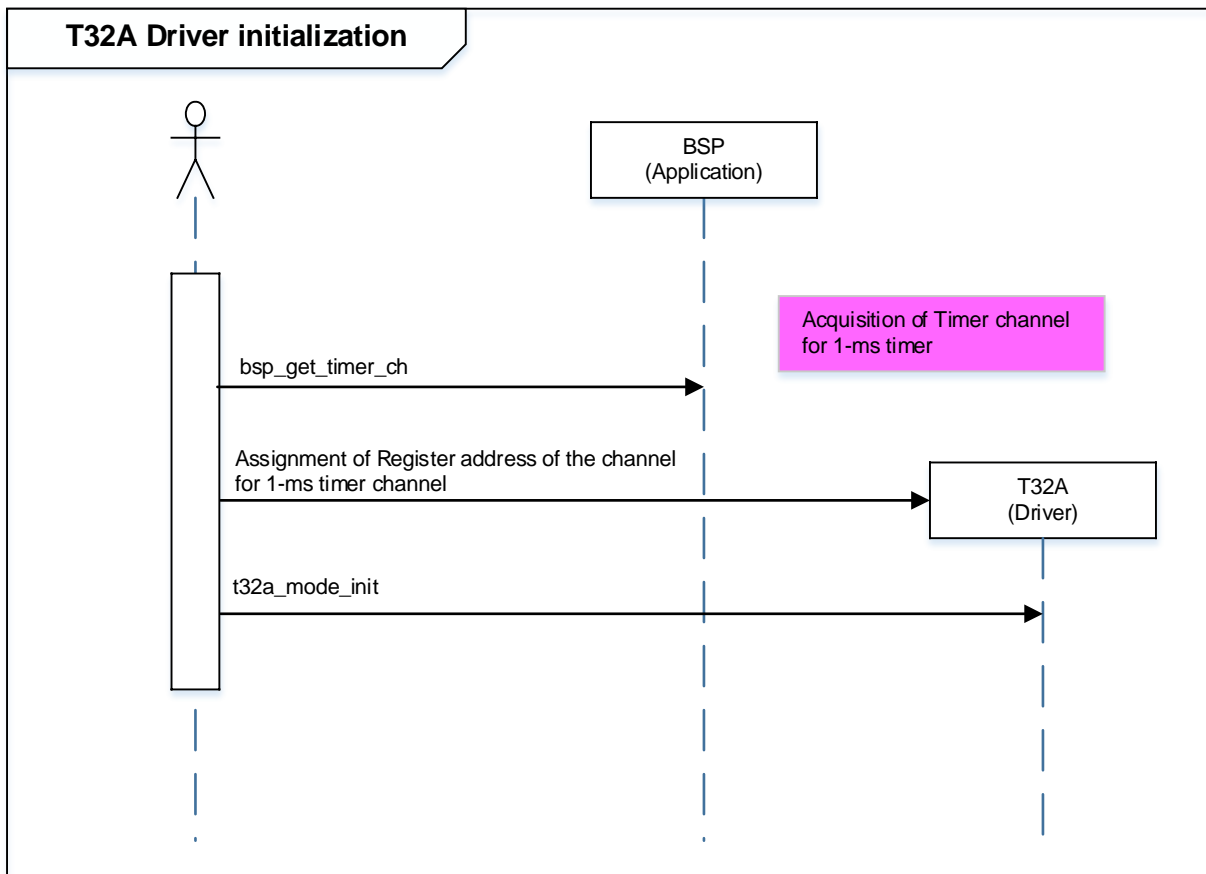


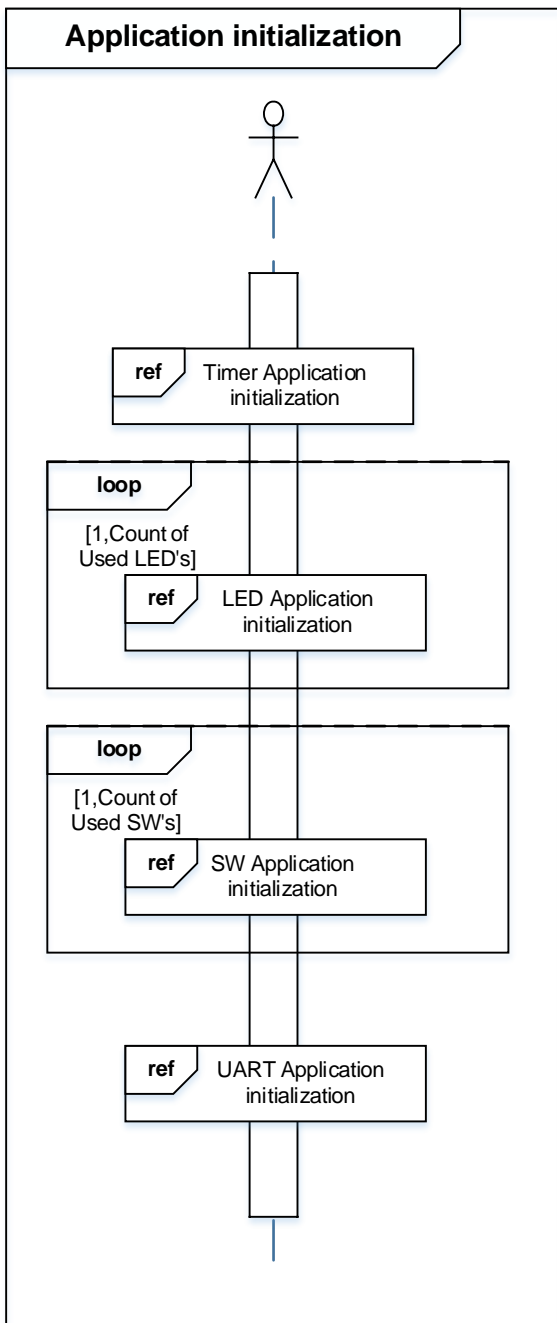
7.5. Operating Flow of Sample Program

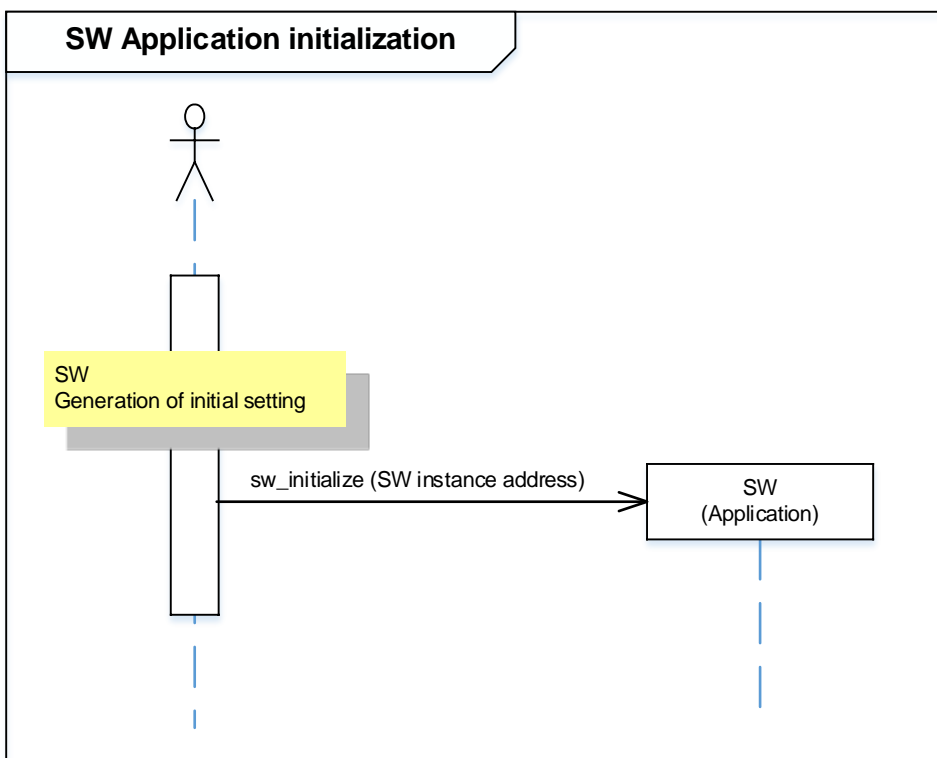
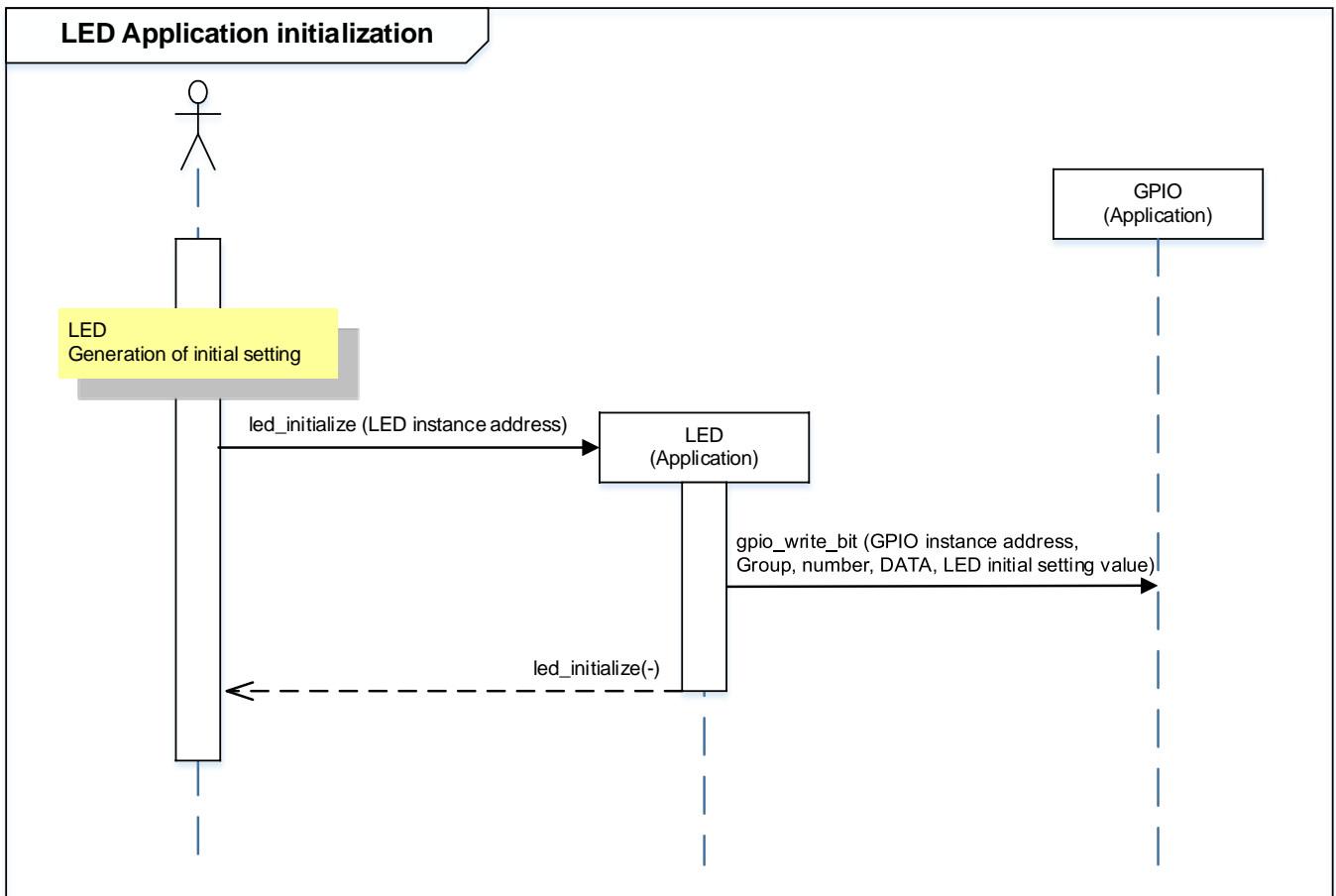
The basic operating flows of the sample program are shown in the following;

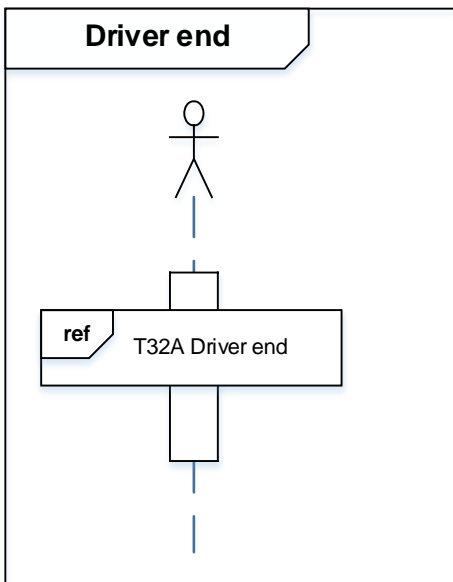
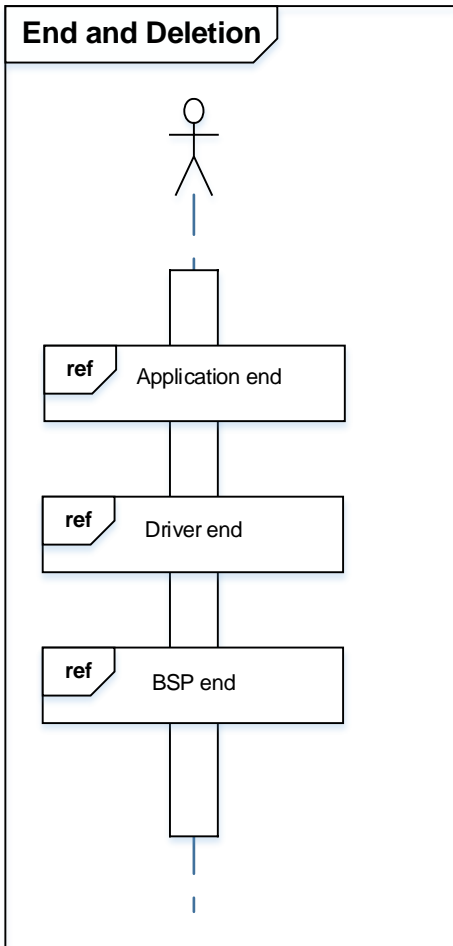


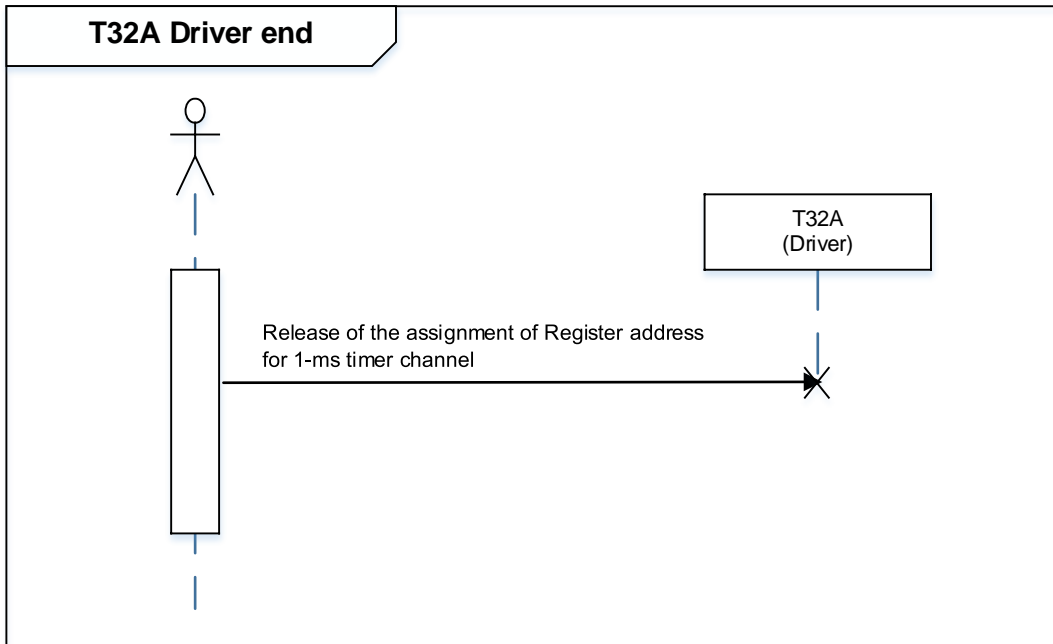


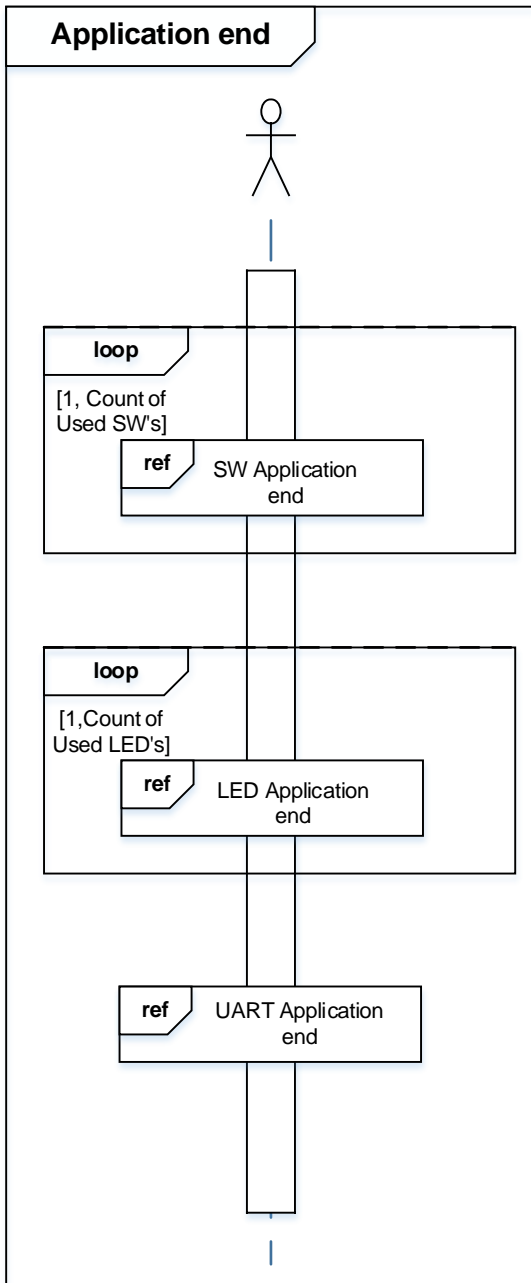


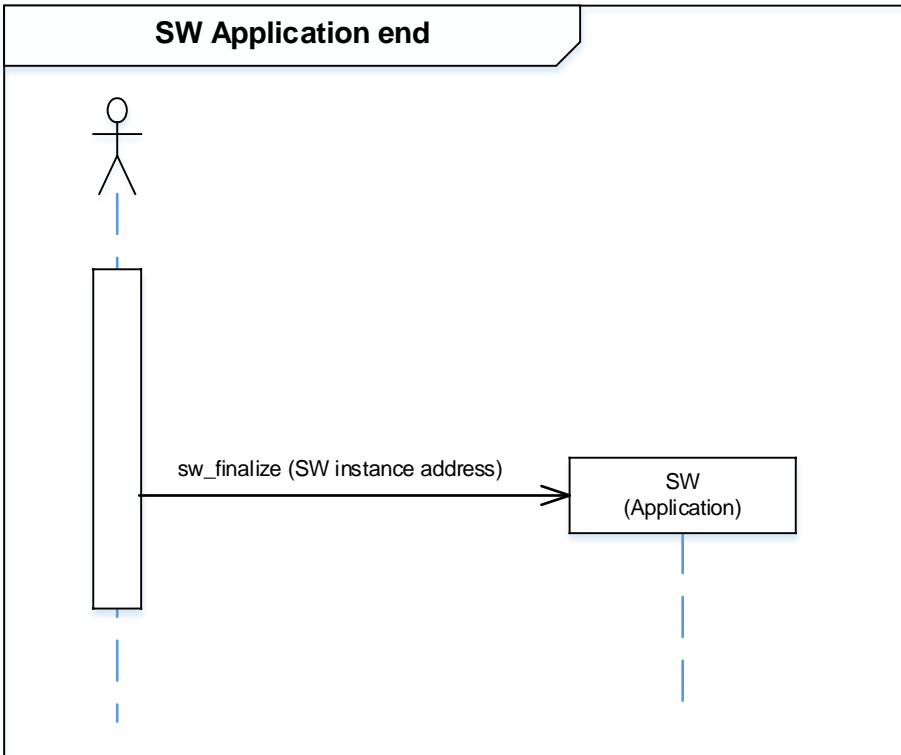
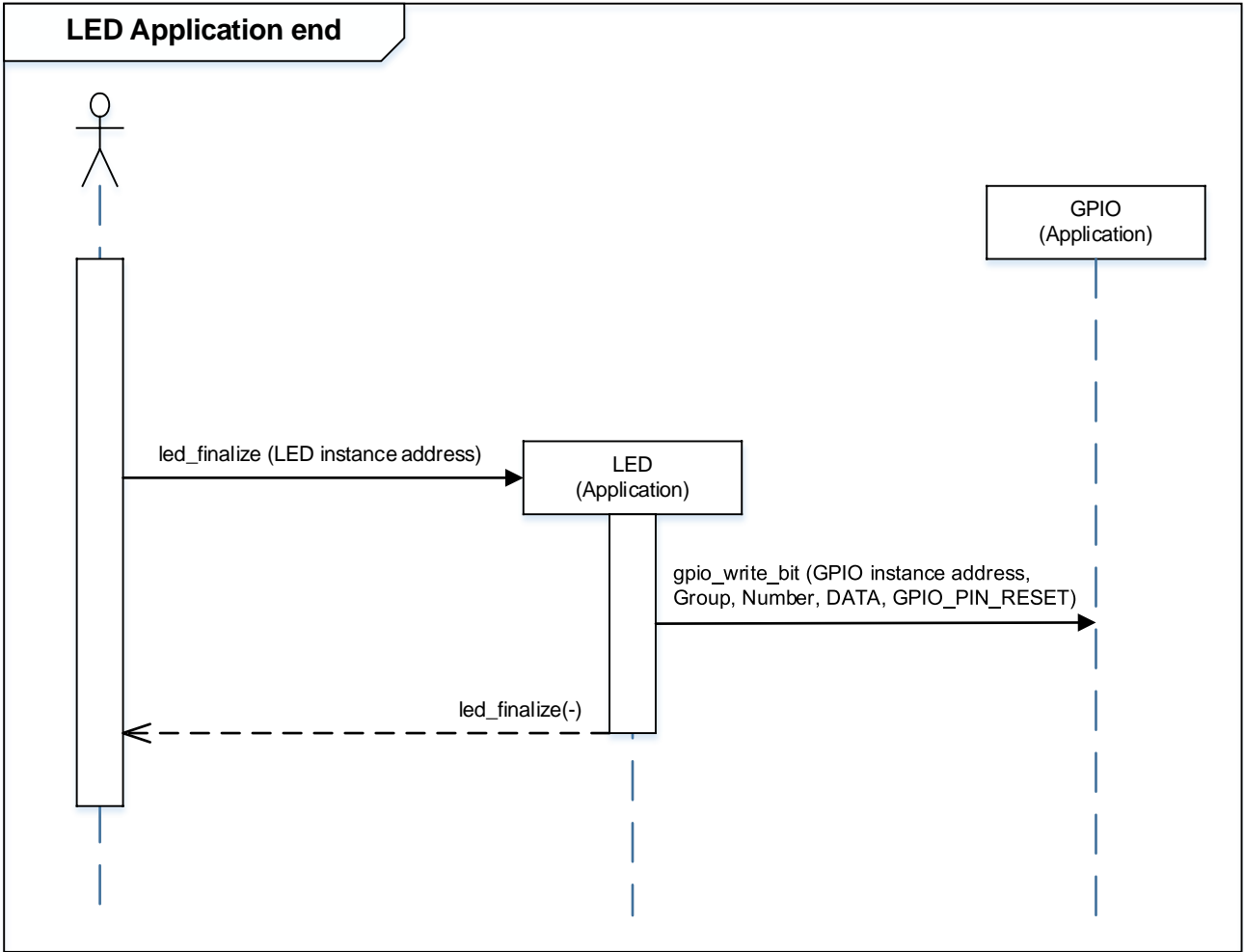


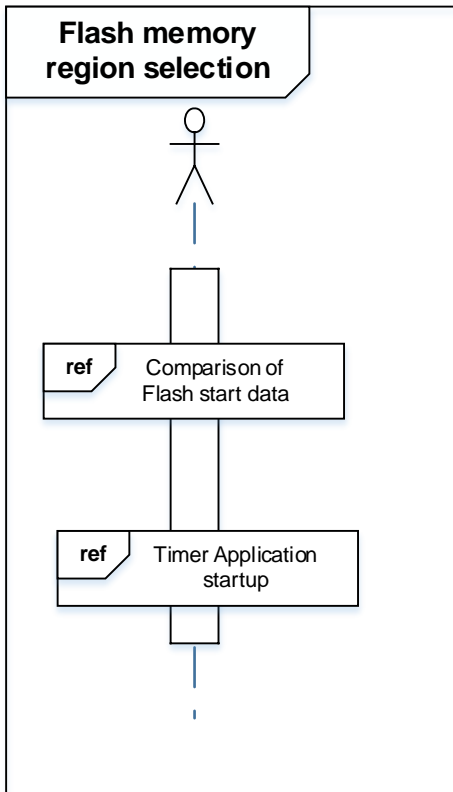


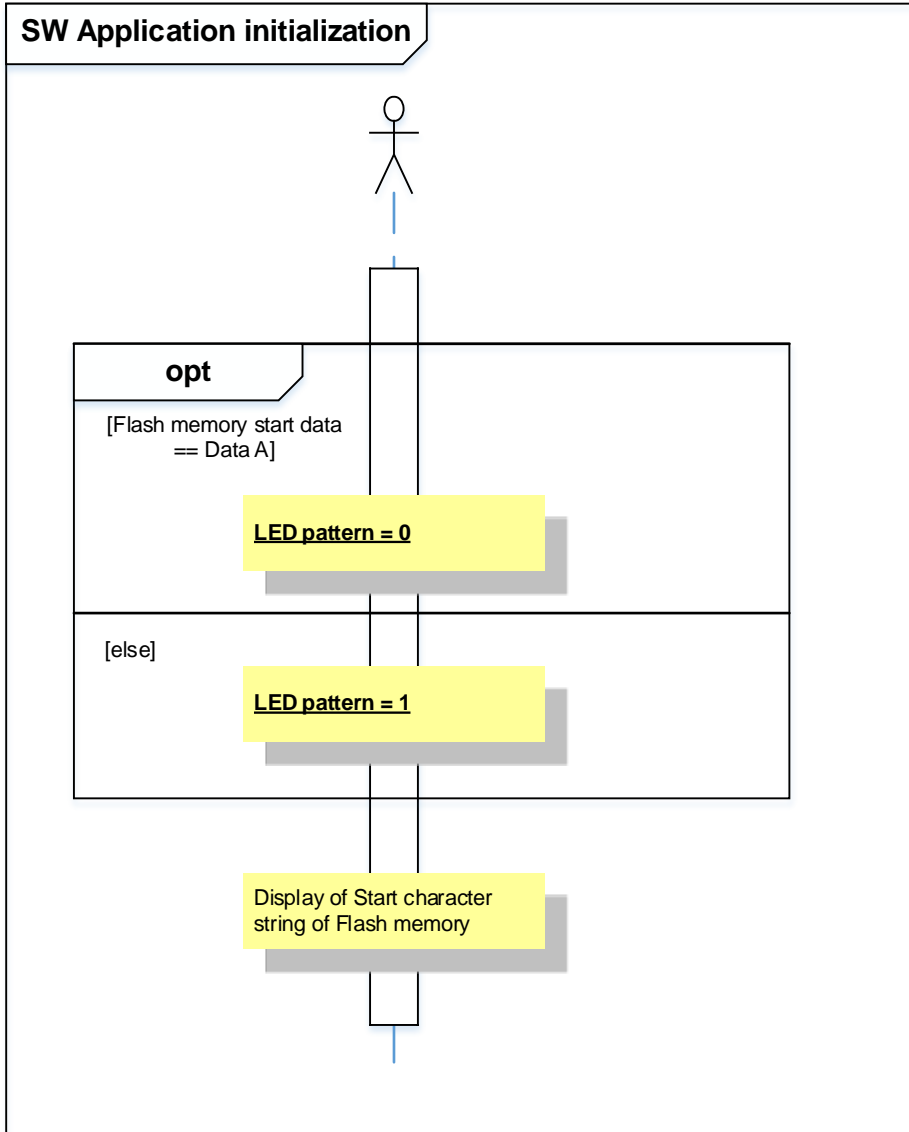


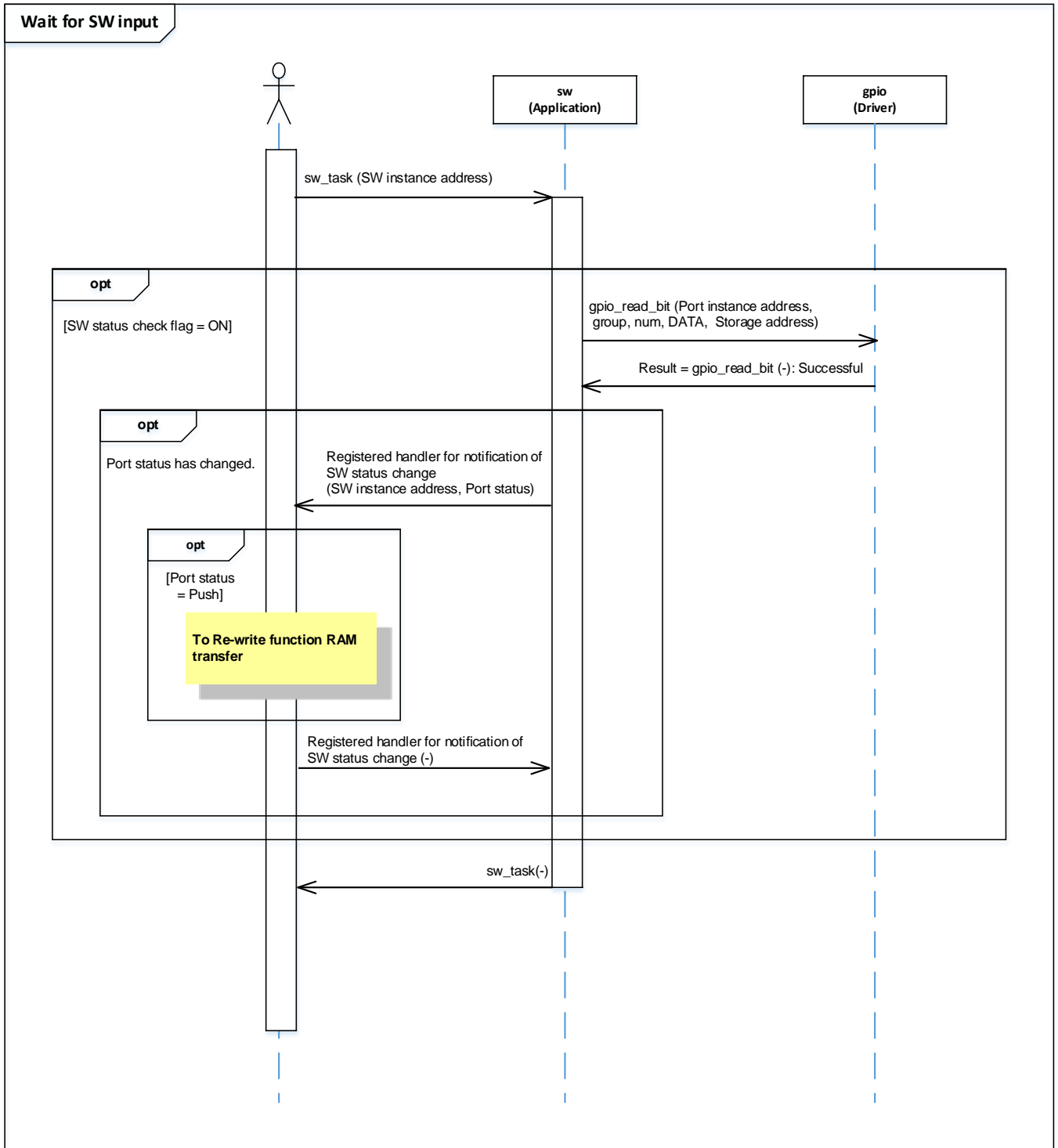


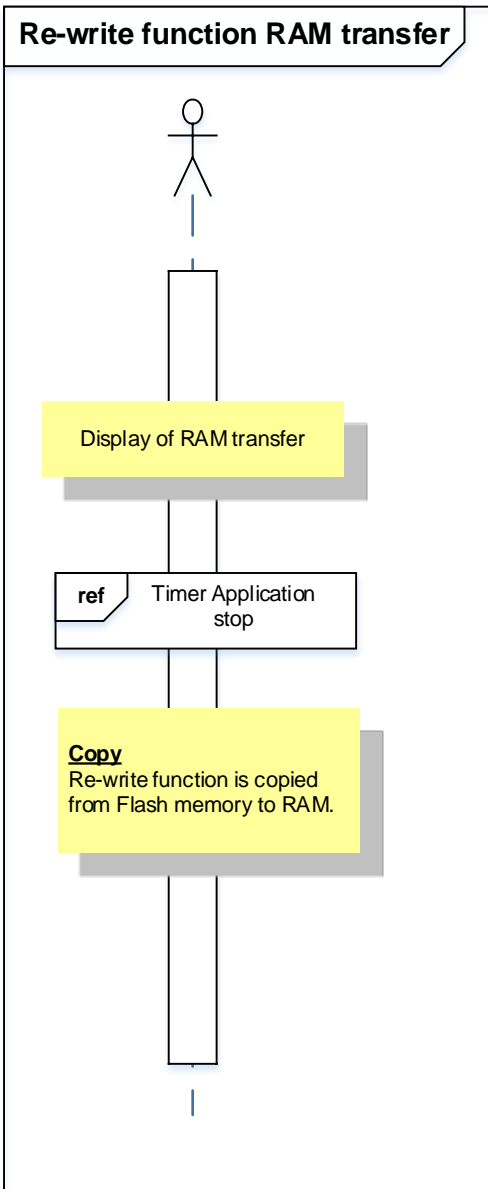


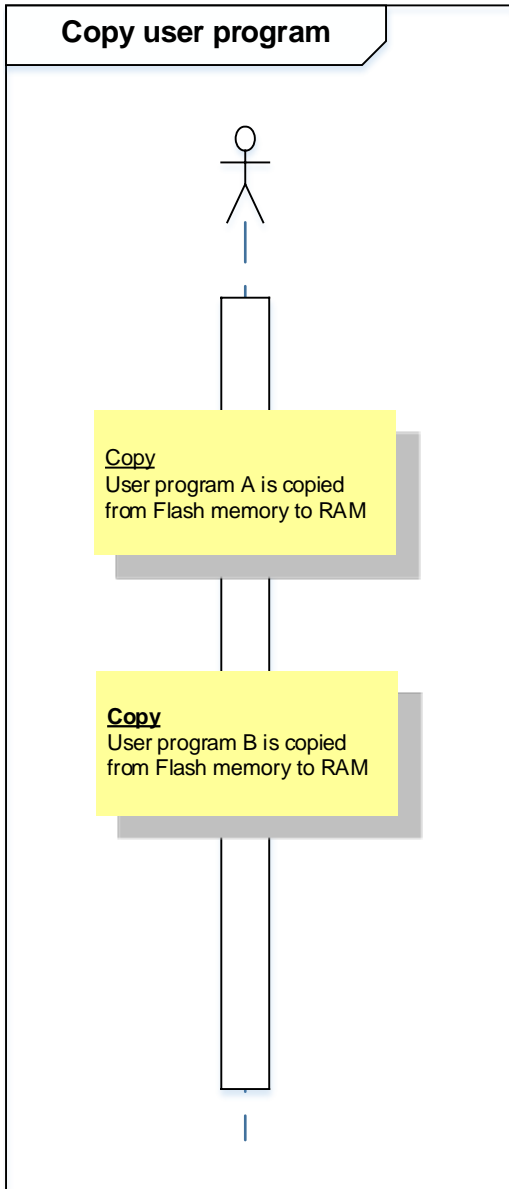


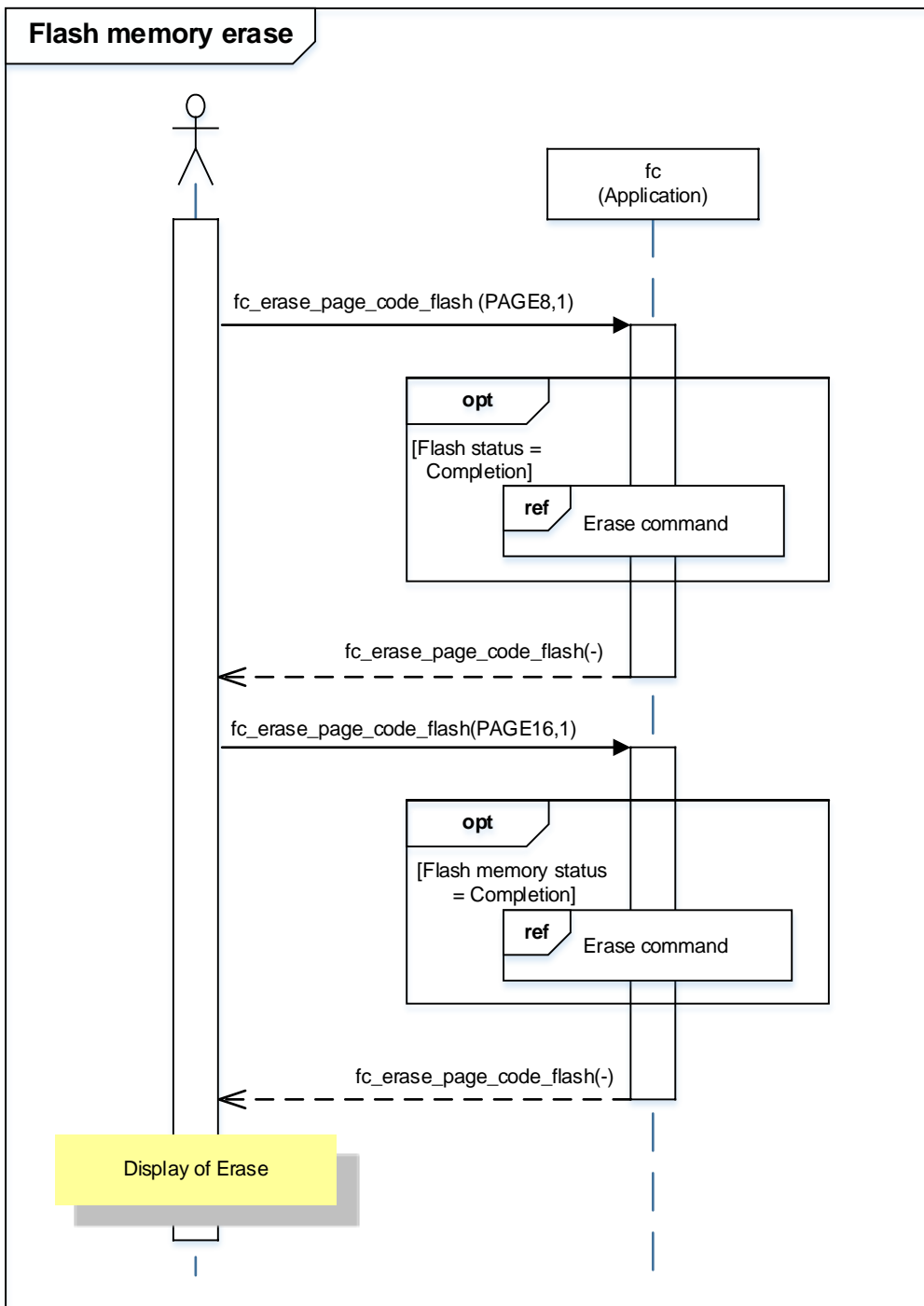


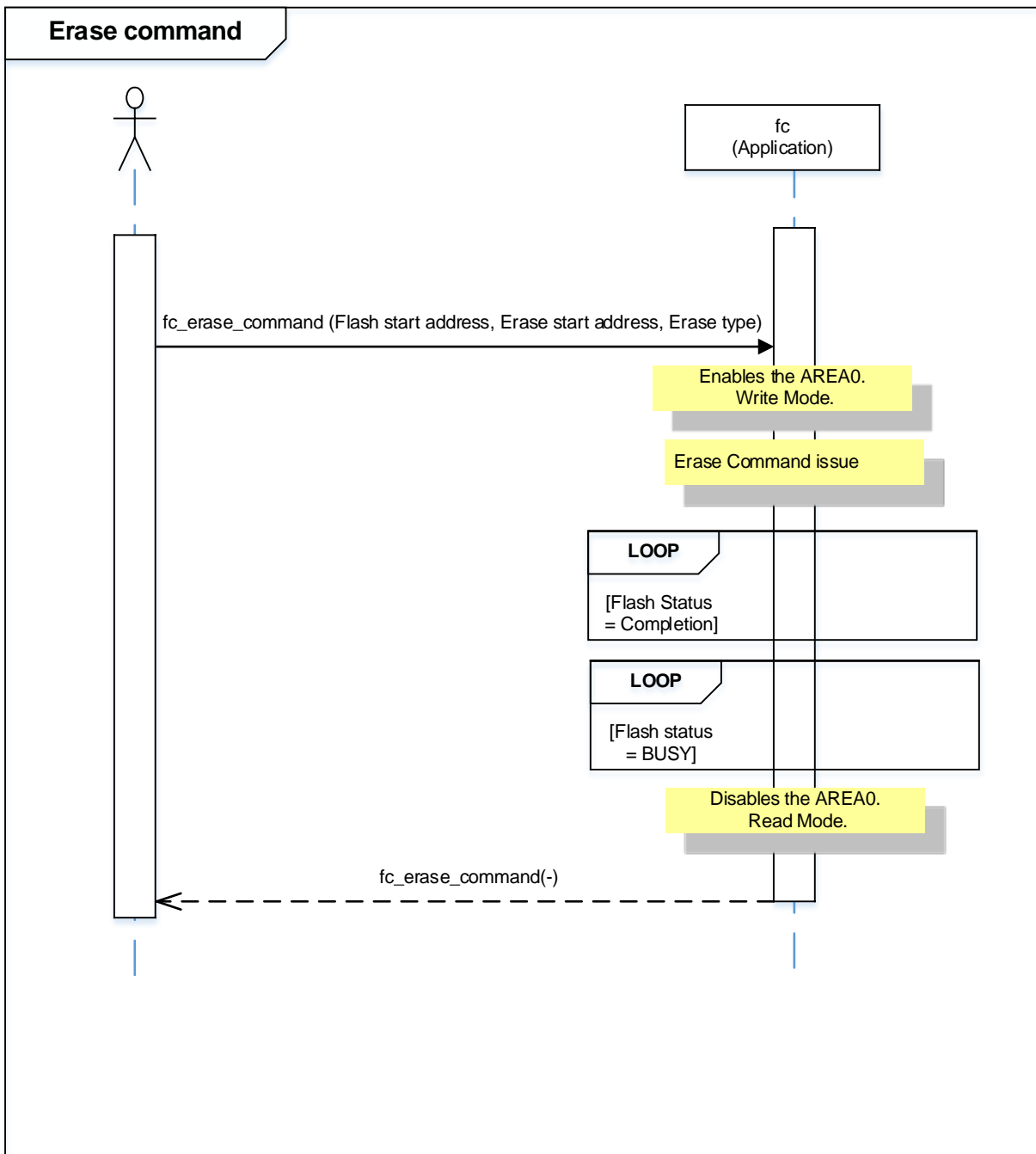


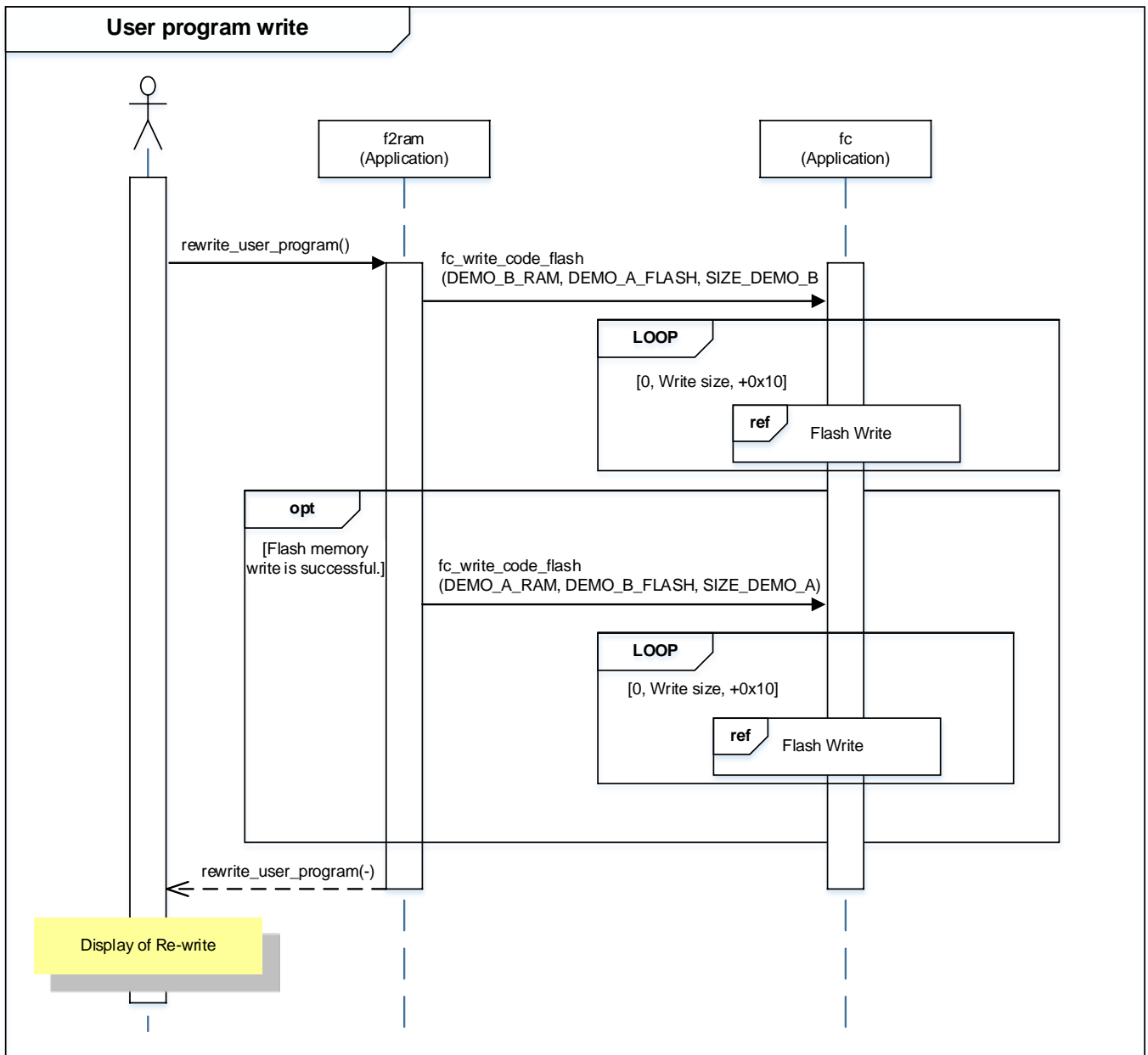


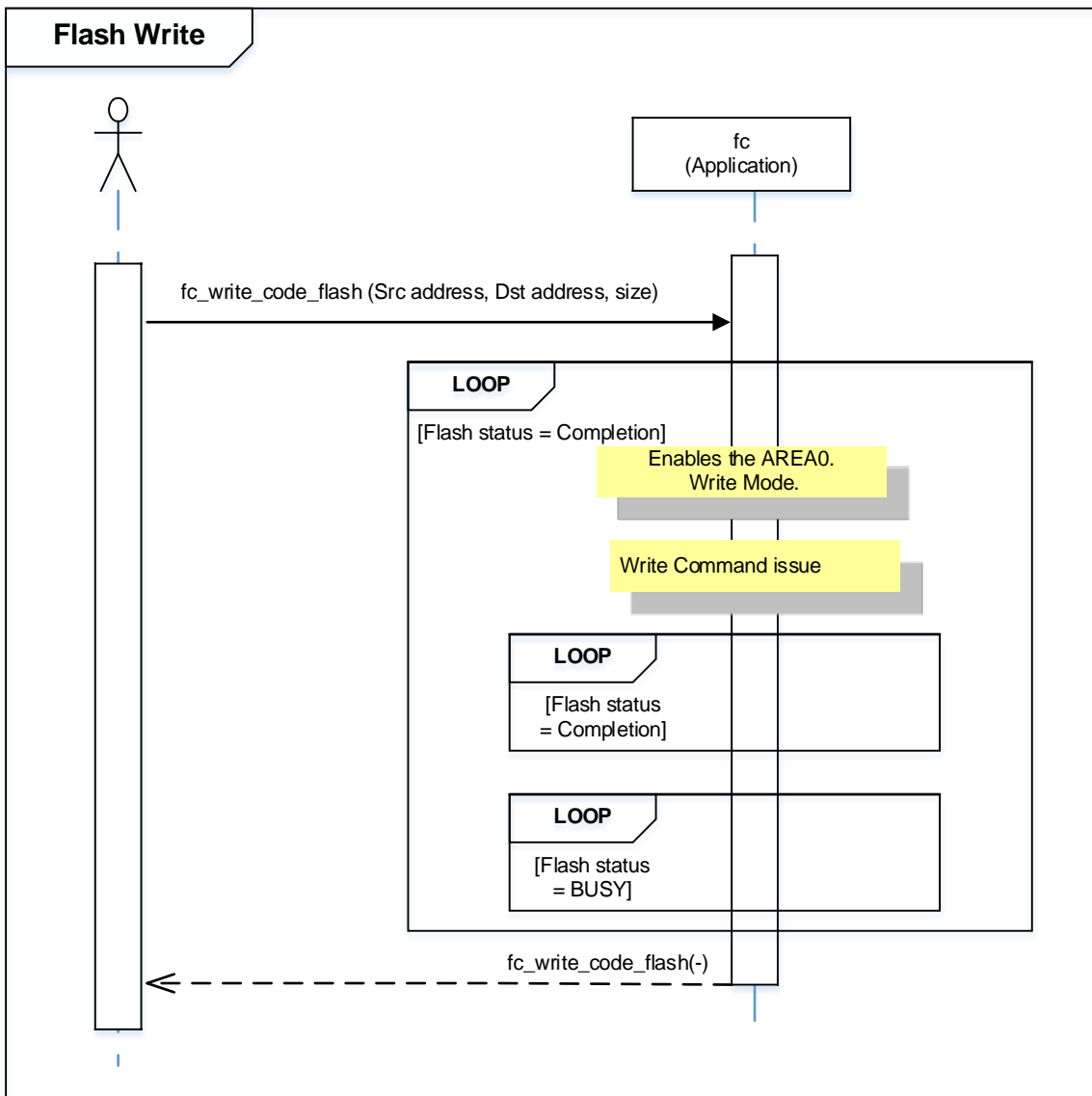


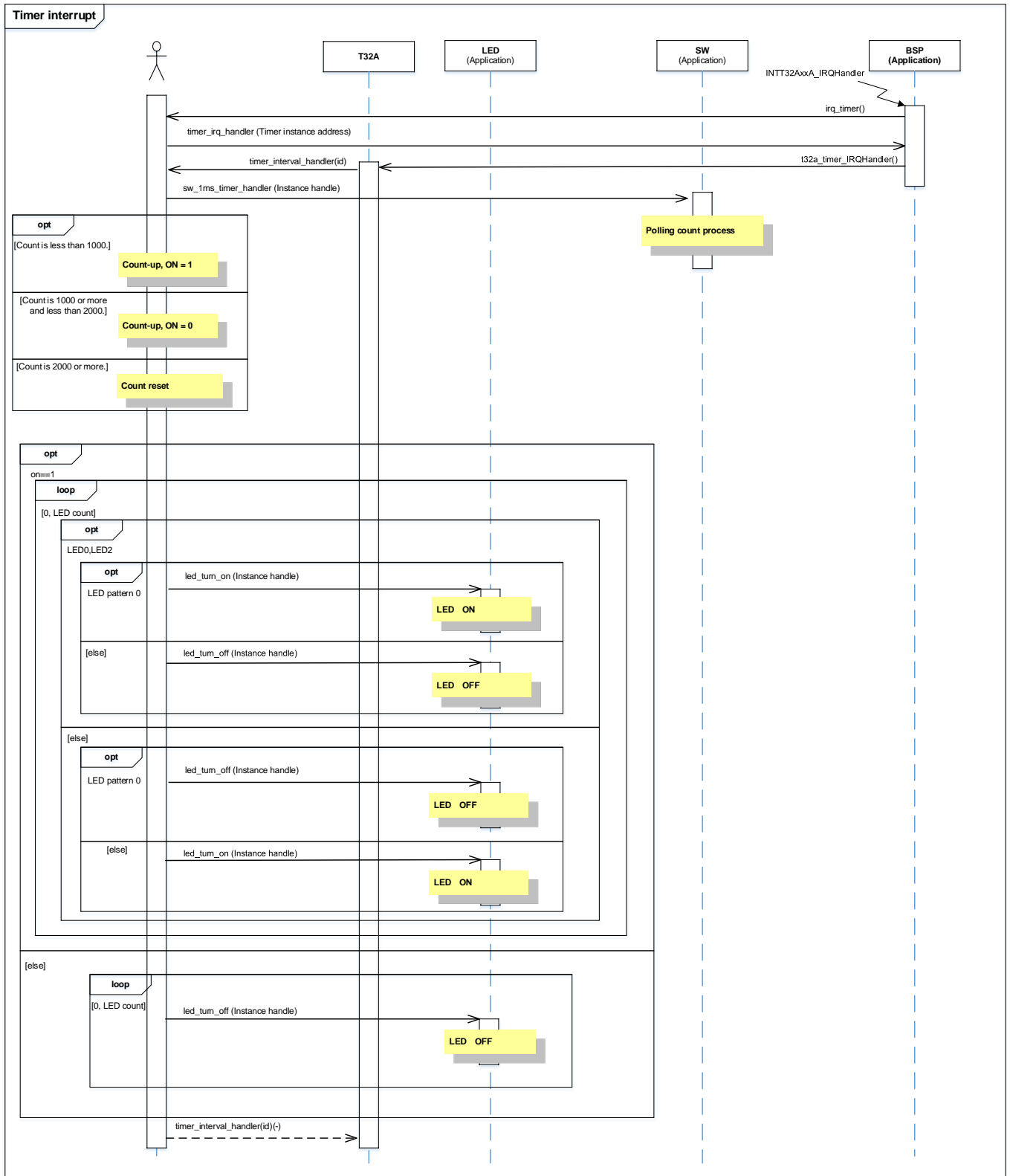












8. Points to Remember on Handling of Sample Programs

When using the sample program with other than “Operation Confirmation Condition”, please check the operation sufficiently.

9. Revision History

Revision	Date	Description
1.0	2019-10-09	First release

RESTRICTIONS ON PRODUCT USE

Toshiba Corporation and its subsidiaries and affiliates are collectively referred to as "TOSHIBA". Hardware, software and systems described in this document are collectively referred to as "Product".

- TOSHIBA reserves the right to make changes to the information in this document and related Product without notice.
- This document and any information herein may not be reproduced without prior written permission from TOSHIBA. Even with TOSHIBA's written permission, reproduction is permissible only if reproduction is without alteration/omission.
- Though TOSHIBA works continually to improve Product's quality and reliability, Product can malfunction or fail. Customers are responsible for complying with safety standards and for providing adequate designs and safeguards for their hardware, software and systems which minimize risk and avoid situations in which a malfunction or failure of Product could cause loss of human life, bodily injury or damage to property, including data loss or corruption. Before customers use the Product, create designs including the Product, or incorporate the Product into their own applications, customers must also refer to and comply with (a) the latest versions of all relevant TOSHIBA information, including without limitation, this document, the specifications, the data sheets and application notes for Product and the precautions and conditions set forth in the "TOSHIBA Semiconductor Reliability Handbook" and (b) the instructions for the application with which the Product will be used with or for. Customers are solely responsible for all aspects of their own product design or applications, including but not limited to (a) determining the appropriateness of the use of this Product in such design or applications; (b) evaluating and determining the applicability of any information contained in this document, or in charts, diagrams, programs, algorithms, sample application circuits, or any other referenced documents; and (c) validating all operating parameters for such designs and applications. **TOSHIBA ASSUMES NO LIABILITY FOR CUSTOMERS' PRODUCT DESIGN OR APPLICATIONS.**
- **PRODUCT IS NEITHER INTENDED NOR WARRANTED FOR USE IN EQUIPMENTS OR SYSTEMS THAT REQUIRE EXTRAORDINARILY HIGH LEVELS OF QUALITY AND/OR RELIABILITY, AND/OR A MALFUNCTION OR FAILURE OF WHICH MAY CAUSE LOSS OF HUMAN LIFE, BODILY INJURY, SERIOUS PROPERTY DAMAGE AND/OR SERIOUS PUBLIC IMPACT ("UNINTENDED USE").** Except for specific applications as expressly stated in this document, Unintended Use includes, without limitation, equipment used in nuclear facilities, equipment used in the aerospace industry, lifesaving and/or life supporting medical equipment, equipment used for automobiles, trains, ships and other transportation, traffic signaling equipment, equipment used to control combustions or explosions, safety devices, elevators and escalators, and devices related to power plant. **IF YOU USE PRODUCT FOR UNINTENDED USE, TOSHIBA ASSUMES NO LIABILITY FOR PRODUCT.** For details, please contact your TOSHIBA sales representative or contact us via our website.
- Do not disassemble, analyze, reverse-engineer, alter, modify, translate or copy Product, whether in whole or in part.
- Product shall not be used for or incorporated into any products or systems whose manufacture, use, or sale is prohibited under any applicable laws or regulations.
- The information contained herein is presented only as guidance for Product use. No responsibility is assumed by TOSHIBA for any infringement of patents or any other intellectual property rights of third parties that may result from the use of Product. No license to any intellectual property right is granted by this document, whether express or implied, by estoppel or otherwise.
- **ABSENT A WRITTEN SIGNED AGREEMENT, EXCEPT AS PROVIDED IN THE RELEVANT TERMS AND CONDITIONS OF SALE FOR PRODUCT, AND TO THE MAXIMUM EXTENT ALLOWABLE BY LAW, TOSHIBA (1) ASSUMES NO LIABILITY WHATSOEVER, INCLUDING WITHOUT LIMITATION, INDIRECT, CONSEQUENTIAL, SPECIAL, OR INCIDENTAL DAMAGES OR LOSS, INCLUDING WITHOUT LIMITATION, LOSS OF PROFITS, LOSS OF OPPORTUNITIES, BUSINESS INTERRUPTION AND LOSS OF DATA, AND (2) DISCLAIMS ANY AND ALL EXPRESS OR IMPLIED WARRANTIES AND CONDITIONS RELATED TO SALE, USE OF PRODUCT, OR INFORMATION, INCLUDING WARRANTIES OR CONDITIONS OF MERCHANTABILITY, FITNESS FOR A PARTICULAR PURPOSE, ACCURACY OF INFORMATION, OR NONINFRINGEMENT.**
- Do not use or otherwise make available Product or related software or technology for any military purposes, including without limitation, for the design, development, use, stockpiling or manufacturing of nuclear, chemical, or biological weapons or missile technology products (mass destruction weapons). Product and related software and technology may be controlled under the applicable export laws and regulations including, without limitation, the Japanese Foreign Exchange and Foreign Trade Law and the U.S. Export Administration Regulations. Export and re-export of Product or related software or technology are strictly prohibited except in compliance with all applicable export laws and regulations.
- Please contact your TOSHIBA sales representative for details as to environmental matters such as the RoHS compatibility of Product. Please use Product in compliance with all applicable laws and regulations that regulate the inclusion or use of controlled substances, including without limitation, the EU RoHS Directive. **TOSHIBA ASSUMES NO LIABILITY FOR DAMAGES OR LOSSES OCCURRING AS A RESULT OF NONCOMPLIANCE WITH APPLICABLE LAWS AND REGULATIONS.**