

# Isolation amplifier

## TLP7820/7920/7830/7930

### Application note

## Outline

This application note explains the product briefs of TLP7820/7920 and TLP7830/7930, and application designs for the isolation amplifiers.

## Table of contents

Introduction .....	2
1. Optically-coupled isolation amp. TLP7820/7920 .....	3
2. Optically-coupled $\Delta\Sigma$ modulator TLP7830/7930 .....	4
3. Application design (for current sensing) .....	5
3-1. Power line design (both input and output side) .....	5
3-2. Input side line design .....	5
3-3. Current sensing resistor (shunt resistor) value.....	6
3-4. Output line design .....	7
3-5. Other notes .....	10
4. Application design (for voltage sensing) .....	11
4-1. Resistor value for the voltage sense .....	11
5. Characterization data other than the items listed in the datasheet .....	12
5-1. Output noise characteristics of isolation amplifiers TLP7820/7920.....	12
5-2. SN characteristics of the isolation amplifier TLP7820/7920.....	13
5-3. PSRR Characteristics of Isolation Amplifier TLP7820/7920.....	14
6. Features of TLP7820/7920/7830/7930 .....	15
6-1. Input side power consumption reduction.....	15
6-2. Low-profile SO8L package.....	16
7. Applications.....	16
RESTRICTIONS ON PRODUCT USE.....	18

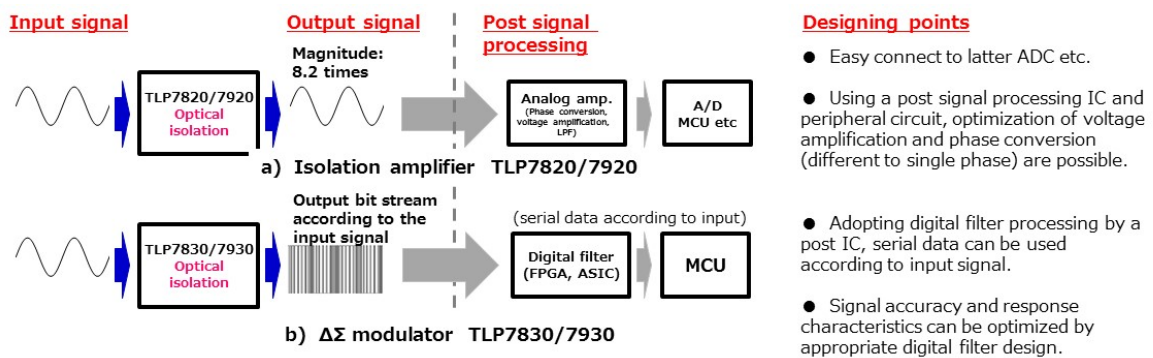
## Introduction

Recent control products for industrial use such as AC servo motor controllers, inverters for factory automation and power conditioners for renewable energy are required higher efficiency / accuracy operation. To realize that, high accuracy current / voltage sensing is a key factor. The designing point of this sensing block is required high accuracy, stability and isolation performances.

Toshiba's

- Isolation amplifier (analog output) : TLP7820 / TLP7920
- $\Delta\Sigma$  modulator (digital output) : TLP7830 / TLP7930

have a delta-sigma A/D converter with optically coupled isolation. It contributes a higher accuracy gain linearity with a higher isolation to sense current / voltage. User can select our products depends on the system design (post signal process IC etc.).



**Fig.1 Signal processing using TLP7820/7920/7830/7930**

Furthermore, Toshiba has the SO8L and DIP8 packages for each type of isolation amplifier.

**Table 1 TLP7820/7920/7830/7930 Product matrix**

Creepage Distance	8mm	7 or 8mm
Output Configuration	SO8L	DIP8
Analog output type	TLP7820	TLP7920
Digital output type	TLP7830	TLP7930

Below gain rank bins are available for TLP7820/7920

Rank	Gain Rank Marking	Gain (Min)	Gain (Typ.)	Gain (Max)	Unit
None ( $\pm 3\%$ )	Blank, A, B	7.95	8.2	8.44	V/V
Rank A ( $\pm 1\%$ )	A, B	8.12	8.2	8.28	
Rank B ( $\pm 0.5\%$ )	B	8.16	8.2	8.24	

This application note explains the product briefs of TLP7820/7920 and TLP7830/7930, and

describes about application designs for the isolation amplifiers.

## 1. Optically-coupled isolation amp. TLP7820/7920

The TLP7820/7920 are optically-coupled isolation amplifiers (input: analog, output: analog). This section describes TLP7820/7920 product briefs.

These products have a galvanic isolation and signal transmission function between input and output side by a LED and a photo-diode. High accuracy signal transmission is achieved by digital decoding of the transmitted light.

Fig.2 shows the TLP7820/7920 block diagram. Input analog signal is transmitted to the output side by optical signal, which is converted through  $\Delta\Sigma$  ADC at the input side to the LED after encoded to digital code data. At the output side, the photo diode detects the optical signal, then it is decoded by TIA and decoder. Finally analog output signal is generated through DAC and LPF.

Fig.3 shows the input-output characteristics of the TLP7820/7920. 8.2(typ.) magnitude signal is output as differential voltage across  $V_{OUT+}$  to  $V_{OUT-}$  pins according to the differential voltage across  $V_{IN+}$  to  $V_{IN-}$  pins.

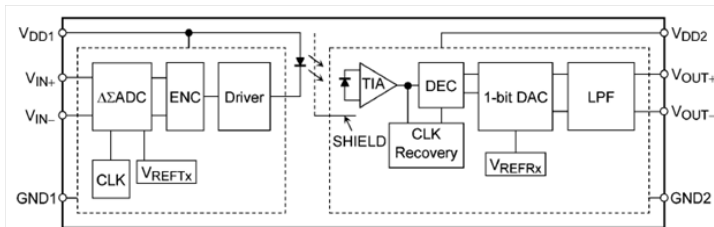


Fig.2 TLP7820/7920 Block diagram

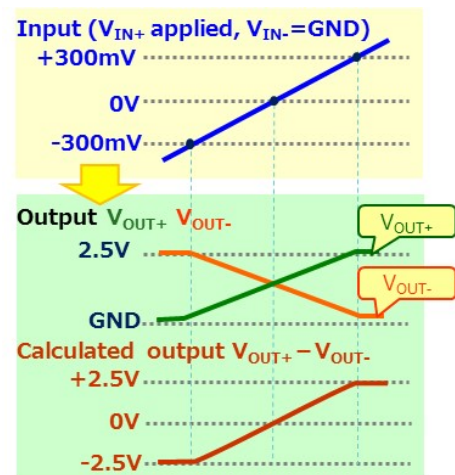


Fig.3 TLP7820/7920  
Input-Output characteristic

Please refer product's Web sites ([TLP7820](#) [TLP7920](#)) and [Glossary of Isolation Amplifier Terms](#) for details.

## 2. Optically-coupled $\Delta\Sigma$ modulator TLP7830/7930

The TLP7830/7930 is optically-coupled  $\Delta\Sigma$  modulator (input: analog, output: digital).

This section describes TLP7830/7930 product brief.

Fig.4 shows the TLP7830/7930 block diagram. Compared to the TLP7820/7920 (analog output type), the TLP7830/7930 is eliminated DAC block and later block, thus those couplers output bit stream and clock signal. Applying this signal to post process IC, serial data is obtained according to the input analog signal.

Fig.5 shows the input-output characteristics of the TLP7830/7930. These items can output clock signal with 10MHz (typ.) and bit stream data from MCLK and MDAT pins, respectively. Bit stream data's coarse and dense are according to the differential voltage across  $V_{IN+}$  to  $V_{IN-}$  pins.

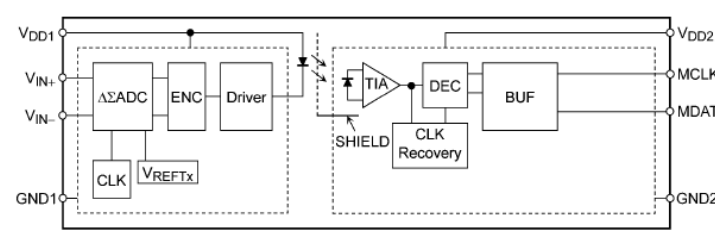


Fig.4 TLP7830/7930 Block diagram

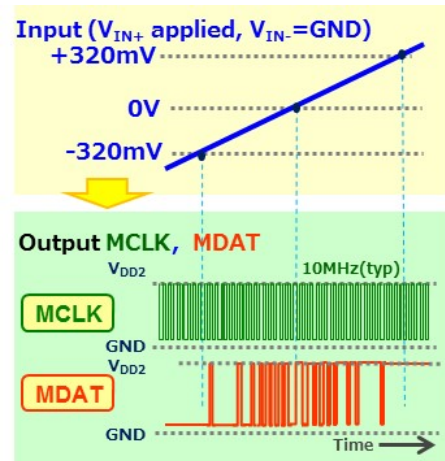


Fig.5 TLP7830/7930  
Input-Output characteristic

Please refer product's Web sites ([TLP7830 TLP7930](#)) and [Glossary of Isolation Amplifier Terms](#) for details.

### 3. Application design (for current sensing)

Using application circuit for motor current sensing as example, this section explains a design for current sensing.

#### 3-1. Power line design (both input and output side)

- 0.1  $\mu\text{F}$  ceramic capacitors should be connected to  $V_{DD1}$  - GND1 and  $V_{DD2}$ -GND2 to obtain the stabilized operation. The bypass capacitors should be placed as close as possible (within 10mm is recommended) to each pin ( $C_2$  and  $C_4$  shown in Fig.6).
- When a high voltage power supply such as for a gate drive is utilized as  $V_{DD1}$ , applying voltage to the isolation amplifier must be stepped down not to exceeding the maximum rating. (Using voltage regulator, DC-DC converter, Zener diode etc.).

#### 3-2. Input side line design

- A clock-operated switched capacitor is embedded at the ADC input, 0.01 $\mu\text{F}$  bypass capacitor should be connected at input pins to obtain certain accuracy and follow the clock operation ( $C_3$  shown in Fig.6).
- Preventing influences of aliasing noise to the ADC, an anti-aliasing low-pass filter should be placed. The filter can be formed using the bypass capacitor ( $C_3$ ) and a resistor ( $R_1$  shown in Fig.6). Since filtering frequency range of the anti-aliasing filter should be between the signal bandwidth and the Nyquist frequency, the frequency from 400 kHz to 1 MHz is recommended.

#### Design example) Anti-aliasing filter constant $R_1$

Aliasing filter design frequency: 400 kHz, Bypass capacitor (input side): 0.01  $\mu\text{F}$

$$R_1 = 1 / (2 \times \pi \times 0.01 \mu\text{F} \times 400 \text{ kHz}) = 39 \Omega$$

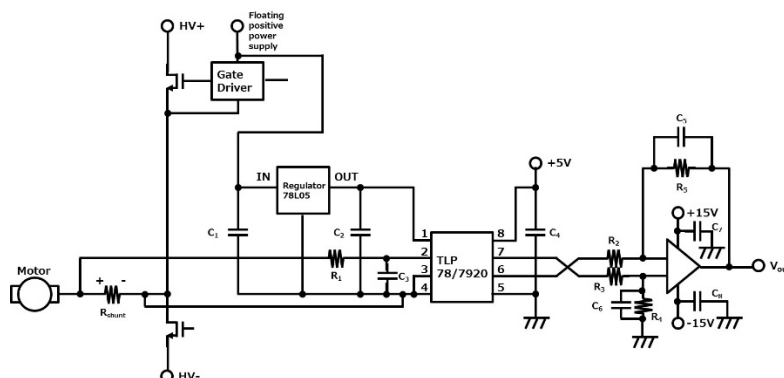


Fig.6 Motor current sensing circuit example using TLP7820/7920

### 3-3. Current sensing resistor (shunt resistor) value

- a) The shunt resistor value should be set with consideration of both power dissipation at the resistor and the sensing accuracy. Smaller shunt resistance is desired in terms of the power dissipation, on the other hand, the input voltage amplitude of  $\pm 200$  mV is desired in terms of the sensing accuracy (e.g. linearity, SNR). Fig.7 shows the relationship between the shunt resistance and power dissipation. In this graph, a point at intersection of the solid line (relationship between shunt resistance and power dissipation) with dotted line (input voltage amplitude auxiliary line) is a typical setting value. To obtain sufficient current sense accuracy, the input voltage amplitude of  $\pm 200$  mV is recommended. Please check if the power dissipation is satisfied from this graph and the sensed current.

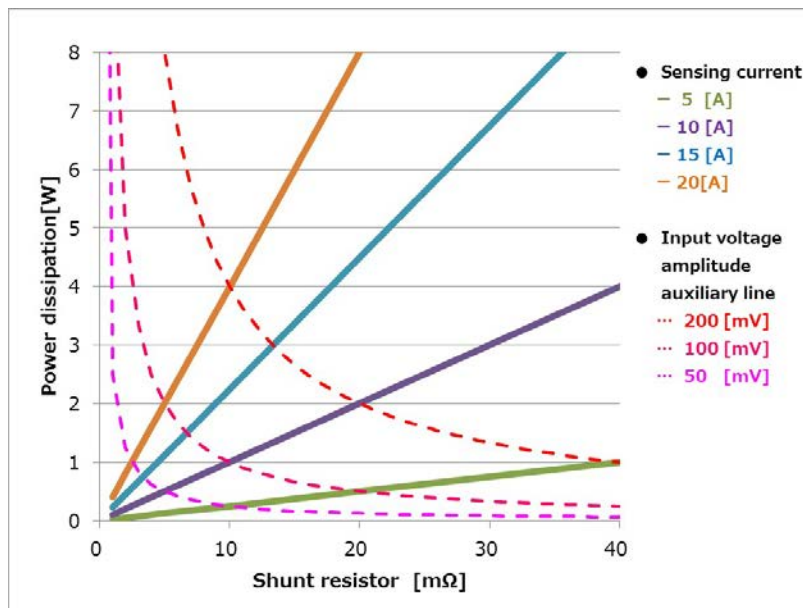


Fig.7 Relationship between shunt resistor and power dissipation

Design example) Design values of input amplitude  $V_{in}$ , shunt resistor  $R_{shunt}$ , and Power dissipation  $P_{shunt}$  in case of sensing current of 20 A

Case 1) In case of priority is the sensing accuracy, input amplitude  $V_{in} = 200$  mV

- Shunt resistor  $R_{shunt} = 200 \text{ mV} / 20 \text{ A} = 10 \text{ m}\Omega$
- Power dissipation at the shunt resistor  $P_{shunt}$   

$$= I^2 \times R = (20 \text{ A})^2 \times 10 \text{ m}\Omega = 4 \text{ W}$$

Case 2) In case of priority is the power dissipation,  $P_{shunt} = 1 \text{ W}$

- Since the sensing current is 20 A,  $R_{shunt} = 1 \text{ W} / (20 \text{ A})^2 = 2.5 \text{ m}\Omega$
- In this case, input voltage amplitude is;  $V_{in} = 20 \text{ A} \times 2.5 \text{ m}\Omega = 50 \text{ mV}$

### 3-4. Output line design

- a) PCB line length connected to a latter IC should be shorten as much as possible to minimize line capacitance.
- b) For the analog output type, the output signal conversion to single phase, amplitude adjustment and adding noise filter are possible by adopting an external post amplifier. This post amplifier with certain accuracy (offset gain, response characteristic and each temperature dependence) should be used. In case of that either VOUT+ or VOUT- terminal is used as single phase output, another terminal should be open.
- c) For the digital type, output conversion (bit stream → bit code) and high frequency band noise reduction are possible using FPGA or ASIC with SINC filter function.

- Order of the digital filter

The TLP7830/7930 implements 2nd order  $\Delta\Sigma$  A/D converter. In terms of the out-band noise suppression, use of 3rd order digital filter is recommended.

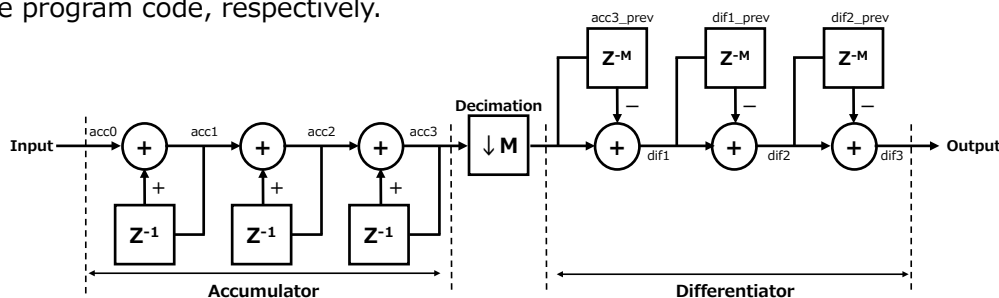
- Decimation rate

Table 2 shows the relationship between decimation rate and design parameters of the SINC<sup>3</sup> filter. The design should be considered trade-off relationship between responsiveness (response time, bandwidth) and the SN performance.

**Table 2 SINC<sup>3</sup> filter Relationship between decimation rate and design parameters**

Decimation rate	Output data size [bits]	Response time [ $\mu$ s]	Output data rate [kSPS]	Freq. range [kHz]	Nyquist freq. [kHz]	SNR (theoretical) [dB]	ENOB (theoretical)[bits]
4	6	1.2	2500.0	655.0	1250.0	14.0	2.0
8	9	2.4	1250.0	327.5	625.0	30.8	4.8
16	12	4.8	625.0	163.8	312.5	45.7	7.3
32	15	9.6	312.5	81.9	156.3	59.7	9.6
64	18	19.2	156.3	40.9	78.1	68.2	11.0
128	21	38.4	78.1	20.5	39.1	71.9	11.7
256	24	76.8	39.1	10.2	19.5	74.9	12.1

The TLP7830/7930 guarantees characteristics with SINC<sup>3</sup> filter under 256 decimation rate and 16 bit resolution. Fig.8 shows representative example of SINC<sup>3</sup> filter configuration, and List 1 shows the program code, respectively.



**Fig.8 Relationship between shunt resistor and power dissipation**

**List 1 The program code example of SINC<sup>3</sup> filter with Verilog HDL**

```

/* ----- Toshiba Electronic Devices & Storage Corporation ----- */
/* SINC3 Digital filter example with VerilogHDL for TLP7830/7930 */

module SINC3_VerilogHDL
(
input MCLK, MDAT,          /* Output of TLP7830/7930 */
input RST,                /* Filter reset signal */
input [15:0] DEC,         /* Decimation Rate */
output reg [15:0] SNCOUT, /* SINC3 filter output with 16bit */
output reg ENBL          /* SNCOUT Enable signal */
);

reg [24:0] acc0,acc1,acc2,acc3,acc3_prev;
reg [24:0] dif1,dif2,dif3,dif1_prev,dif2_prev;
/* Register for Accumulation and Differentiation */

reg [15:0] mclkcnt; /* MCLK Counter */
reg decclk; /* CLK by decimation rating based

/* ----- 3 times Accumulation ----- */
always @ (MDAT)
if(MDAT==0)
    acc0 <= 25'd0;
else
    acc0 <= 25'd1;

always @ (negedge MCLK, posedge RST)
begin
    if (RST)
        begin /* Initialization */
            acc1 <= 25'd0;
            acc2 <= 25'd0;
            acc3 <= 25'd0;
        end
    else
        begin /* Accumulation */
            acc1 <= acc1 + acc0;
            acc2 <= acc2 + acc1;
            acc3 <= acc3 + acc2;
        end
    end
end

/* ----- Decimation clock gen ----- */
always @ (posedge MCLK, posedge RST)
begin
    if (RST)
        mclkcnt <= 16'd0;
    else
        begin
            if ( mclkcnt == DEC - 1 )
                mclkcnt <= 16'd0;
            else
                mclkcnt <= mclkcnt +16'b1;
        end
    end
end

always @ ( posedge MCLK, posedge RST )
begin
    if ( RST )
        decclk <= 1'b0;
    else
        begin
            if ( mclkcnt == DEC/2 - 1 )
                decclk <= 1'b1;
            else if ( mclkcnt == DEC - 1 )
                decclk <= 1'b0;
        end
    end
end
end

```



```

/* ----- 3 times Differentiation ----- */
always @ (posedge decclk, posedge RST)
begin
  if(RST)
    begin /* Initialization */
      acc3_prev <= 25'd0;
      dif1_prev <= 25'd0;
      dif2_prev <= 25'd0;
      dif1 <= 25'd0;
      dif2 <= 25'd0;
      dif3 <= 25'd0;

    end
  else
    begin /* Differentiation */
      dif1 <= acc3 - acc3_prev;
      dif2 <= dif1 - dif1_prev;
      dif3 <= dif2 - dif2_prev;
      acc3_prev <= acc3;
      dif1_prev <= dif1;
      dif2_prev <= dif2;

    end
end

/* ----- Output bit number will be set to 16bits ----- */
always @ ( posedge decclk )
begin
  case ( DEC )
    16'd64:begin
      SNCOUT <= (dif3[18:2] == 17'h10000) ? 16'hFFFF : dif3[17:2];
    end
    16'd128:begin
      SNCOUT <= (dif3[21:5] == 17'h10000) ? 16'hFFFF : dif3[20:5];
    end
    16'd256:begin
      SNCOUT <= (dif3[24:8] == 17'h10000) ? 16'hFFFF : dif3[23:8];
    end
    default:begin
      SNCOUT <= (dif3[24:8] == 17'h10000) ? 16'hFFFF : dif3[23:8];
    end
  endcase
end

/* ----- Making Enable signal ----- */
always@ ( posedge MCLK, posedge RST )
begin
  if ( RST )
    begin /* Initialization */
      ENBL <= 1'b0;
    end
  else
    begin /* Making Enable signal */
      if ( mclkcnt == DEC/2 - 1 )
        begin
          ENBL <= 1'b1;
        end
      else
        ENBL <= 1'b0;
      end
  end
end
endmodule

```

### 3-5. Other notes

- a) When either  $V_{IN+}$  or  $V_{IN-}$  or both are equal to or greater than  $V_{DD1}-2\text{ V}$  (e.g., if  $V_{DD1} = 5\text{ V}$ , when  $V_{IN+}$  and/or  $V_{IN-}$  are equal to or greater than  $5\text{ V} - 2\text{ V} = 3\text{ V}$ ), isolation amplifiers go into one of the test modes\*. Do not raise either  $V_{IN+}$  or  $V_{IN-}$  above this voltage to keep the device in functional mode.

\* TLP7820/7920/7830/7930 have the test mode to check the internal clock generator, decoder, encoder and LED performances, and to enhance qualities, the internal operating margins are checked in manufacturing process in addition to product's characteristics.

## 4. Application design (for voltage sensing)

This section explains designing points for voltage sensing application. (Example: inverter bus voltage sense, Fig.9)

### 4-1. Resistor value for the voltage sense

- Although the bus voltage is much higher than allowable input current range of the isolation amplifier, the voltage sense is possible using a voltage-dividing circuit.
- Depends on low pass filter design which is determined  $R_1$ ,  $R_2$  and  $C_1$  (input side line capacitor), responsiveness (bandwidth) is changed. The responsiveness can be improved using smaller  $R_1$ ,  $R_2$  and  $C_1$ . However, the current flow at the divider becomes higher and the sensing accuracy becomes lower. Please adjust those setting values considering your application.

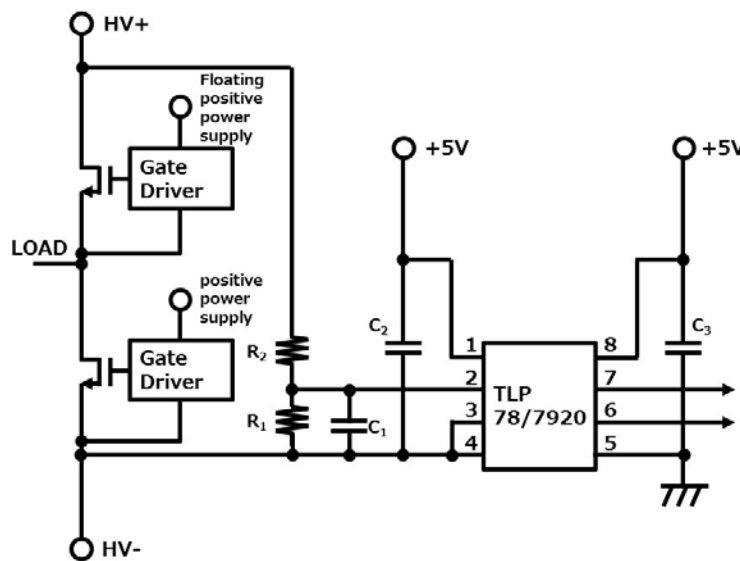


Fig.9 Inverter bus voltage sensing circuit example using TLP7820/7920

#### Design example) Voltage division resistor design (Sensing error : below 0.5%)

Equivalent input resistor of TLP7820  $R_i$  : 80 k $\Omega$

$$R_1 : R_1 // R_i = R_1 : (R_1 \times 80k\Omega) / (R_1 + 80k\Omega) = 1 : 0.995$$

$$0.995 = 80k\Omega / (R_1 + 80k\Omega)$$

$$0.995 \times R_1 + 0.995 \times 80k\Omega = 80k\Omega$$

$$R_1 \cong 402\Omega$$

In case of applied voltage : 400 V, and detecting voltage : 200 mV

$$400V : 200mV = (R_2 + 402\Omega) : 402\Omega$$

$$200mV \times R_2 + 200mV \times 402\Omega = 400V \times 402\Omega$$

$$R_2 \cong 804k\Omega$$

## 5. Characterization data other than the items listed in the datasheet

This section describes the characteristics of our isolation amplifiers those are considered important for applications other than those listed on the datasheet.

### 5-1. Output noise characteristics of isolation amplifiers TLP7820/7920

White noise (random fluctuation of the output voltage over time) is observed in the output of the isolation amplifier due to the influence of thermal noise in the semiconductor IC mounted inside the isolation amplifier. This is defined as the output noise characteristics, and Fig. 11 shows the evaluation results of the  $V_{OUT+}$  terminal output noise of the TLP7820/7920 ( $V_{DD1}=V_{DD2}=5V$ ,  $T_a = 25^\circ C$ ) in the measuring circuit diagram shown in Fig. 10. In this evaluation, it was confirmed that the  $V_{OUT+}$  single-phase output noise was approximately  $4\text{ mV}_{\text{rms}}$ .

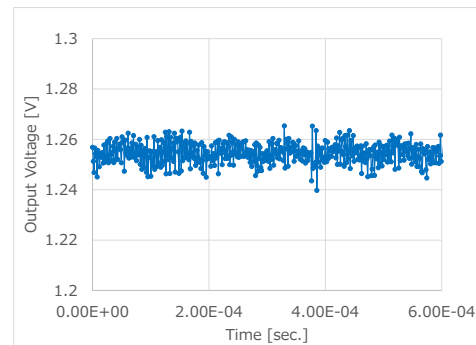
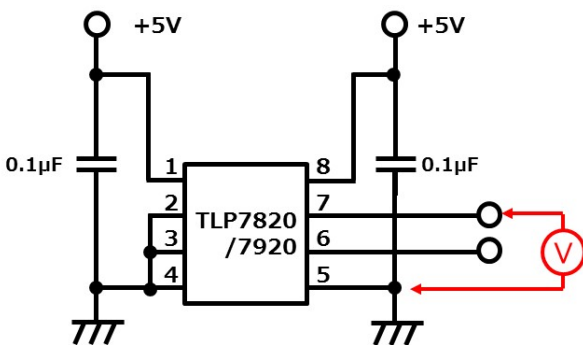


Fig.10 Evaluation circuit of  $V_{OUT+}$  terminal output noise Fig.11 Evaluation result of  $V_{OUT+}$  terminal output noise

Fig. 13 shows the results ( $T_a = 25^\circ C$ ) obtained by changing the cut-off frequency of the post-amplifier by the capacitor  $C_1$ ,  $C_2$  in the configuration including the post-amplifier shown in Fig. 12, and confirming the effect of suppressing the output noise. Lowering the cut-off frequency of the post-amplifier suppresses the white noise component in the high frequency range and improves the output noise characteristic. On the other hand, if the cut-off frequency is lowered to a level of the signal frequency, the gain will be lowered, therefore it is important to optimize the cut-off frequency according to the operating conditions.

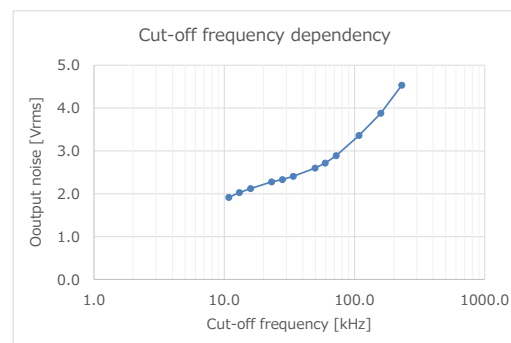
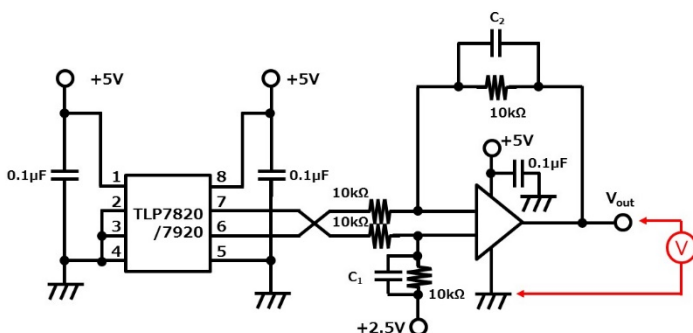


Fig.12 Evaluation circuit of output noise suppression Fig.13 Evaluation result of output noise suppression

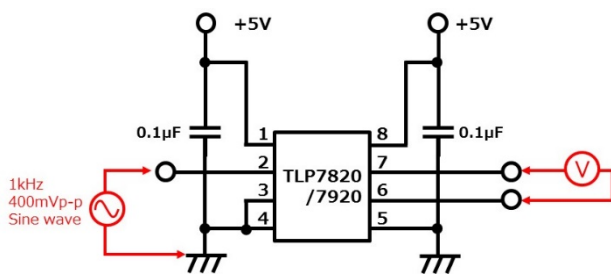
### 5-2. SN characteristics of the isolation amplifier TLP7820/7920

The signal accuracy of operational amplifiers and A/D converters is measured by SN characteristics which indicates the degree of signal-to-noise ratio and signal distortion in the power spectrum. Typical properties are SNR, SNDR, and THD, as defined in Table 3.

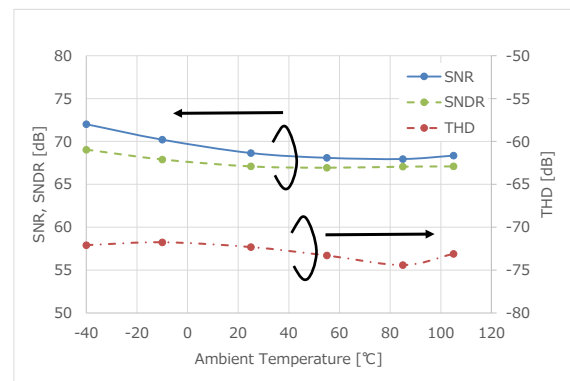
**Table 3 Definition of SN characteristics items**

Term	Symbol	Description	Characteristic Curve
Signal-to-noise ratio	SNR	The ratio of signal components to noise components (excluding harmonics).	
Signal to (noise + distortion) ratio	SNDR	The ratio of signal components to noise components (including harmonics).	
Total harmonic distortion	THD	Ratio of fundamental components to harmonics.	

Fig. 15 shows the evaluation results of temperature dependence of SNR, SNDR, and THD at  $V_{OUT+}-V_{OUT-}$  differential output terminal of the TLP7820/7920 (input frequency of 1kHz, input amplitude of 400 mV<sub>p-p</sub>,  $V_{DD1}=V_{DD2}=5V$ , and BW=22kHz) in the measuring circuit diagram shown in Fig. 14. The characteristics of SNR=69 [dB], SNDR=67 [dB], and THD=-72 [dB] at  $T_a=25^{\circ}C$  were confirmed in this evaluation. In order to further improve the SN characteristics, it is effective to suppress noise as much as possible by inserting an appropriate noise filter in the rear stage of isolation amplifier same manner as the output noise mentioned above, in the range of that the gain and distortion of the signal are not impaired.



**Fig.14 Evaluation circuit of SN characteristics for  $V_{OUT+}-V_{OUT-}$  differential output**



**Fig.15 Evaluation results of SN characteristic temperature dependence**

### 5-3. PSRR Characteristics of Isolation Amplifier TLP7820/7920

The PSRR, Power Supply Rejection Ratio, is an index to show how stable the output can be obtained without being affected by the ripple superimposed on the power supply of the Op-Amp-AD converter. PSRR is defined by the equation below, which indicates that the higher the value, the less susceptible to ripple noise, resulting in a stable output.

Since TLP7820/7920 has  $\Delta\Sigma$ ADC on the input side, ripple to the input-side power supply may affect the AD-converted value. Fig. 17 shows PSRR of TLP7820/7920 evaluated using the measuring circuit diagram shown in Fig. 16.

$$\text{PSRR} = 20 \log \frac{V_{\text{DDINRPL}}}{V_{\text{OUTRPL}}} \text{ [dB]}$$

$V_{\text{DDINRPL}}$  : Ripple components of isolation amplifier power supply ( $V_{\text{DD}}$ )

$V_{\text{OUTRPL}}$  : Ripple components of isolation amplifier output voltage ( $V_{\text{OUT}}$ )

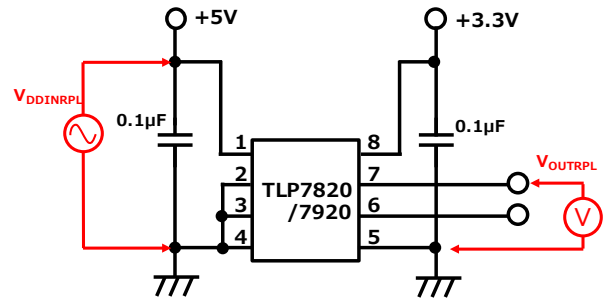


Fig.16 PSRR measurement circuit

In the measurement circuit diagram shown in Figure 17 shows the PSRR evaluation results of monitoring the output voltage  $V_{\text{OUT+}}$  (7pin) when 1V<sub>p-p</sub> ripple noise is superimposed on the input side power supply (pin 1) at a frequency of 100Hz to 1000kHz in the measurement circuit diagram shown in Figure 16.

(The horizontal axis (X-axis) of the graph indicates the frequency band, and the vertical axis (Y-axis) indicates PSRR.)

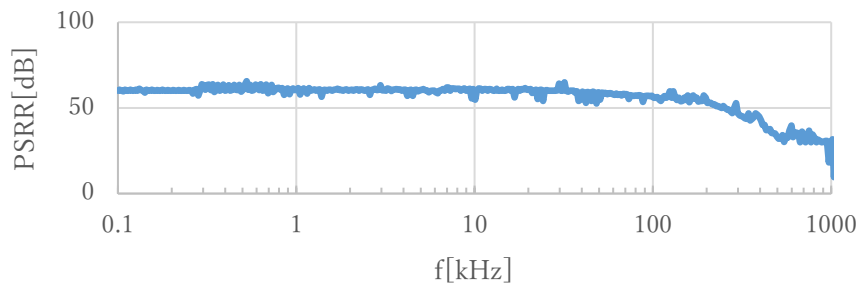


Fig.17 PSRR Evaluation Results

The frequency band of the ripple noise is maintained at 60dB up to 100kHz, worsening from around 200kHz. This result shows that PSRR decreases when ripples in a higher frequency band of 100 kHz or higher are superimposed on the DC voltage supplied to the input-side power supply.

Ripples in the frequency band of 100kHz or higher can affect the power output. Suppose the operation and performance of this equipment are affected. In that case, the filter against ripples in a wide frequency band can be expected to be effective by supplying power through LDOs with excellent PSRR or by adding a bypass capacitor.

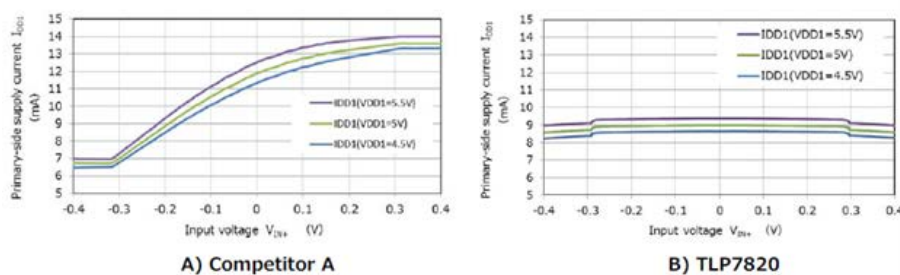
## 6. Features of TLP7820/7920/7830/7930

TLP7820/7920/7830/7930 basic performances are similar to competitor items, moreover, below features contribute your better circuit design.

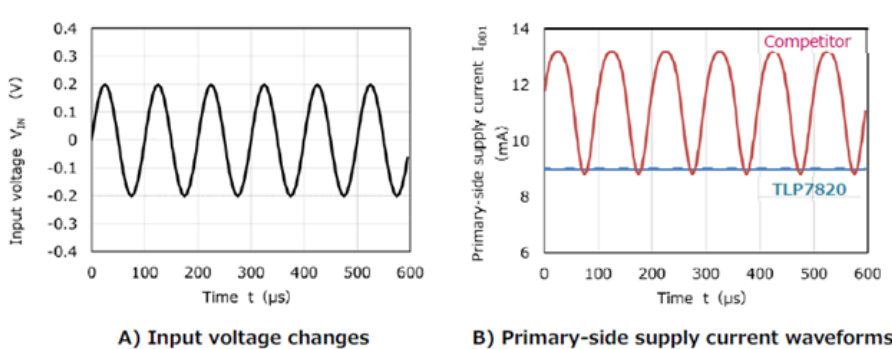
### 6-1. Input side power consumption reduction

Fig.18 shows the relationships between the input voltage and the primary-side supply current of the TLP7820 and a competitor's. The primary-side supply current of the competitor's isolation amplifier increases with input voltage while the TLP7820 has a unique digital encoder/decoder technology to maintain the primary-side supply current at almost a constant level around 9 mA (typical) over a range of input voltage (recommend operating range: -0.2 to +0.2 V). This contributes reduction of the maximum circuit current, simplifying the design of a primary-side power supply.

Fig.19 shows the changes in the primary-side supply current in response to input voltage changes at a given frequency. The primary-side supply current of the competitor's isolation amplifier changes between 9mA and 13 mA in response to changes in input voltage while the primary-side supply current of the TLP7820 remains around 9 mA regardless of input voltage change. For example, a floating power supply such as a bootstrap is used as a primary-side power supply for an isolation amplifier since the floating power supply allows the use of small-value capacitors to reduce the circuit size. Obviously, the constant supply current of the TLP7820 contributes power supply consumption reduction and the circuit size reduction. In the trend of increasing system speed, this also contributes suppress electromagnetic interference (EMI) caused by large supply voltage fluctuations.



**Fig.18 Relationships between the input voltage and the primary-side supply current**



**Fig.19 Primary-side supply current waveforms in response to input voltage changes**

## 6-2. Low-profile SO8L package

Fig.20 shows package comparison between TLP7820/7830 and competitor item. The TLP7820/7830 adopts a low profile (height: 2.3mm max) package which is thinner than competitor item. This is suitable for compact size applications.

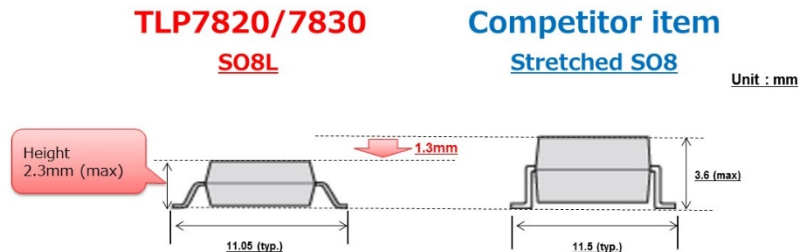
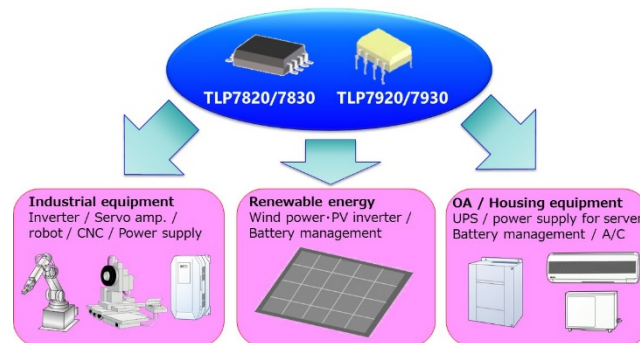


Fig.20 Package side view TLP7820 vs. competitor item

## 7. Applications

TLP7820/7920/7830/7930 is suitable for applications which need inverter such as industrial inverters, PV inverters, UPSs, BMSs, etc.



### Application example) Inverter

Fig.21 shows an example of inverter application. Isolation amplifier is suitable for below application.

- ① Motor phase current sense
- ② Bus voltage sense
- ③ Over current sense

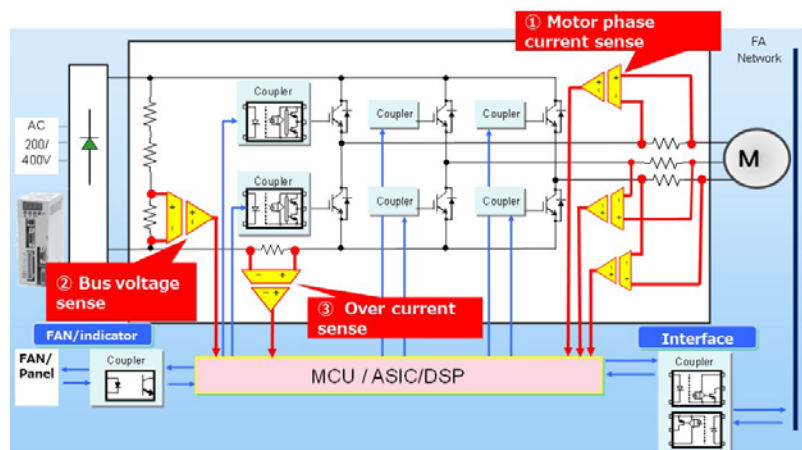


Fig.21 Application example of Isolation amp. for Inverter system



**Revision History**

Revision	Date	Page	Description
Rev. 1.0	2015/08/18	-	1st edition
Rev. 2.0	2019/9/3	All pages	Revision due to format changes
Rev. 3.0	2019/11/6	P7 P9,10	<ul style="list-style-type: none"> <li>•The comment for single phase output usage is added in “3-4 Output line design b)”</li> <li>• The contents of “5. Characterization data other than the items listed in the data sheet” was added.</li> </ul>
Rev. 4.0	2020/8/17	P7-9	The examples of digital filter’s program and configuration were added.
Rev. 5.0	2021/12/15	P14-15	The contents of “PSRR Characteristics of Isolation Amplifier TLP7820/7920” was added.

## RESTRICTIONS ON PRODUCT USE

Toshiba Corporation and its subsidiaries and affiliates are collectively referred to as "TOSHIBA". Hardware, software and systems described in this document are collectively referred to as "Product".

- TOSHIBA reserves the right to make changes to the information in this document and related Product without notice.
- This document and any information herein may not be reproduced without prior written permission from TOSHIBA. Even with TOSHIBA's written permission, reproduction is permissible only if reproduction is without alteration/omission.
- Though TOSHIBA works continually to improve Product's quality and reliability, Product can malfunction or fail. Customers are responsible for complying with safety standards and for providing adequate designs and safeguards for their hardware, software and systems which minimize risk and avoid situations in which a malfunction or failure of Product could cause loss of human life, bodily injury or damage to property, including data loss or corruption. Before customers use the Product, create designs including the Product, or incorporate the Product into their own applications, customers must also refer to and comply with (a) the latest versions of all relevant TOSHIBA information, including without limitation, this document, the specifications, the data sheets and application notes for Product and the precautions and conditions set forth in the "TOSHIBA Semiconductor Reliability Handbook" and (b) the instructions for the application with which the Product will be used with or for. Customers are solely responsible for all aspects of their own product design or applications, including but not limited to (a) determining the appropriateness of the use of this Product in such design or applications; (b) evaluating and determining the applicability of any information contained in this document, or in charts, diagrams, programs, algorithms, sample application circuits, or any other referenced documents; and (c) validating all operating parameters for such designs and applications. **TOSHIBA ASSUMES NO LIABILITY FOR CUSTOMERS' PRODUCT DESIGN OR APPLICATIONS.**
- **PRODUCT IS NEITHER INTENDED NOR WARRANTED FOR USE IN EQUIPMENTS OR SYSTEMS THAT REQUIRE EXTRAORDINARILY HIGH LEVELS OF QUALITY AND/OR RELIABILITY, AND/OR A MALFUNCTION OR FAILURE OF WHICH MAY CAUSE LOSS OF HUMAN LIFE, BODILY INJURY, SERIOUS PROPERTY DAMAGE AND/OR SERIOUS PUBLIC IMPACT ("UNINTENDED USE").** Except for specific applications as expressly stated in this document, Unintended Use includes, without limitation, equipment used in nuclear facilities, equipment used in the aerospace industry, lifesaving and/or life supporting medical equipment, equipment used for automobiles, trains, ships and other transportation, traffic signaling equipment, equipment used to control combustions or explosions, safety devices, elevators and escalators, and devices related to power plant. **IF YOU USE PRODUCT FOR UNINTENDED USE, TOSHIBA ASSUMES NO LIABILITY FOR PRODUCT.** For details, please contact your TOSHIBA sales representative or contact us via our website.
- Do not disassemble, analyze, reverse-engineer, alter, modify, translate or copy Product, whether in whole or in part.
- Product shall not be used for or incorporated into any products or systems whose manufacture, use, or sale is prohibited under any applicable laws or regulations.
- The information contained herein is presented only as guidance for Product use. No responsibility is assumed by TOSHIBA for any infringement of patents or any other intellectual property rights of third parties that may result from the use of Product. No license to any intellectual property right is granted by this document, whether express or implied, by estoppel or otherwise.
- **ABSENT A WRITTEN SIGNED AGREEMENT, EXCEPT AS PROVIDED IN THE RELEVANT TERMS AND CONDITIONS OF SALE FOR PRODUCT, AND TO THE MAXIMUM EXTENT ALLOWABLE BY LAW, TOSHIBA (1) ASSUMES NO LIABILITY WHATSOEVER, INCLUDING WITHOUT LIMITATION, INDIRECT, CONSEQUENTIAL, SPECIAL, OR INCIDENTAL DAMAGES OR LOSS, INCLUDING WITHOUT LIMITATION, LOSS OF PROFITS, LOSS OF OPPORTUNITIES, BUSINESS INTERRUPTION AND LOSS OF DATA, AND (2) DISCLAIMS ANY AND ALL EXPRESS OR IMPLIED WARRANTIES AND CONDITIONS RELATED TO SALE, USE OF PRODUCT, OR INFORMATION, INCLUDING WARRANTIES OR CONDITIONS OF MERCHANTABILITY, FITNESS FOR A PARTICULAR PURPOSE, ACCURACY OF INFORMATION, OR NONINFRINGEMENT.**
- Do not use or otherwise make available Product or related software or technology for any military purposes, including without limitation, for the design, development, use, stockpiling or manufacturing of nuclear, chemical, or biological weapons or missile technology products (mass destruction weapons). Product and related software and technology may be controlled under the applicable export laws and regulations including, without limitation, the Japanese Foreign Exchange and Foreign Trade Law and the U.S. Export Administration Regulations. Export and re-export of Product or related software or technology are strictly prohibited except in compliance with all applicable export laws and regulations.
- Please contact your TOSHIBA sales representative for details as to environmental matters such as the RoHS compatibility of Product. Please use Product in compliance with all applicable laws and regulations that regulate the inclusion or use of controlled substances, including without limitation, the EU RoHS Directive. **TOSHIBA ASSUMES NO LIABILITY FOR DAMAGES OR LOSSES OCCURRING AS A RESULT OF NONCOMPLIANCE WITH APPLICABLE LAWS AND REGULATIONS.**

---

## TOSHIBA ELECTRONIC DEVICES & STORAGE CORPORATION

<https://toshiba.semicon-storage.com/>