

Automotive high-voltage photorelay's applications and withstanding voltage

Overview

This document summarizes the dielectric voltage required for each application of a high-voltage photorelay.

This is for reference only. Do not design the final equipment in this document.

Table of contents

Overview.....	1
Table of contents.....	2
1. Introduction.....	3
2. Features of High Voltage Photorelays	3
3. Applications for high-voltage photorelays.....	5
3.1. Mechanical relay welding detection circuit	5
3.2. Total Battery Voltage Monitoring Circuit.....	6
3.3. Ground Fault Detection Circuit.....	6
4. Withstanding Voltage Tests Required for Electric Vehicles	7
4.1. Mechanical relay welding detection circuit and Battery total voltage monitoring circuit	7
4.2. Ground fault sensing circuit.....	8
4.2.1. Applications of TLX9160T.....	9
4.2.2. Applications of TLX9175J	11
4.2.3. Precautions for use above the blocking voltage	11
RESTRICTIONS ON PRODUCT USE	12

1. Introduction

Region/A.D.	'20	'21	'22	'23	'24	'25	'30	'40	
Euro X		Euro7 95g/km					German-Italian Regulation (*1)		
China Café*	20km/l (116g/km)(*3)						British-French regulations(*2)		
Japan JC08	20.3km/l (114g/km)								

*Café : Corporate Average Fuel Efficiency

1*) Prohibition of sales of new vehicles other than EVs and FCVs '30~ (2*) Prohibition of sales of new vehicles running only on engines '40~ (3*) Elimination of subsidy when purchasing NEVs

Figure 1 Trends in Carbon Dioxide Emission Regulations in Each Country

In the automotive market, as shown in Fig. 1, emission controls for carbon dioxide (CO₂) are progressing in various countries, and this trend is expected to continue in the future. For this reason, more and more environmentally friendly vehicles have been developed in recent years, including electric vehicles (EVs) and Plug-in hybrids (PHEV), which have superior fuel efficiency (low CO₂ emissions during driving). Recently, the battery voltage of this environmentally friendly vehicle has tended to increase from 400V to 800V for reasons such as extending the range per charge and shortening the charging time. Along with this trend, the use of semiconductor relays, which have no risk of contact wear or sticking, is increasing in the areas where mechanical relays have been used so far. This document describes the High Voltage Photorelay TLX9160T features and applications for environmentally friendly vehicles that are becoming increasingly high-voltage.

2. Features of High Voltage Photorelays

TLX9160T is an isolation voltage 5kVrms photorelay composed of an infrared light-emitting diode (LED) that emits a control signal, a photodiode array (PDA) that receives a control signal, and a high blocking voltage MOSFET of 1500V.

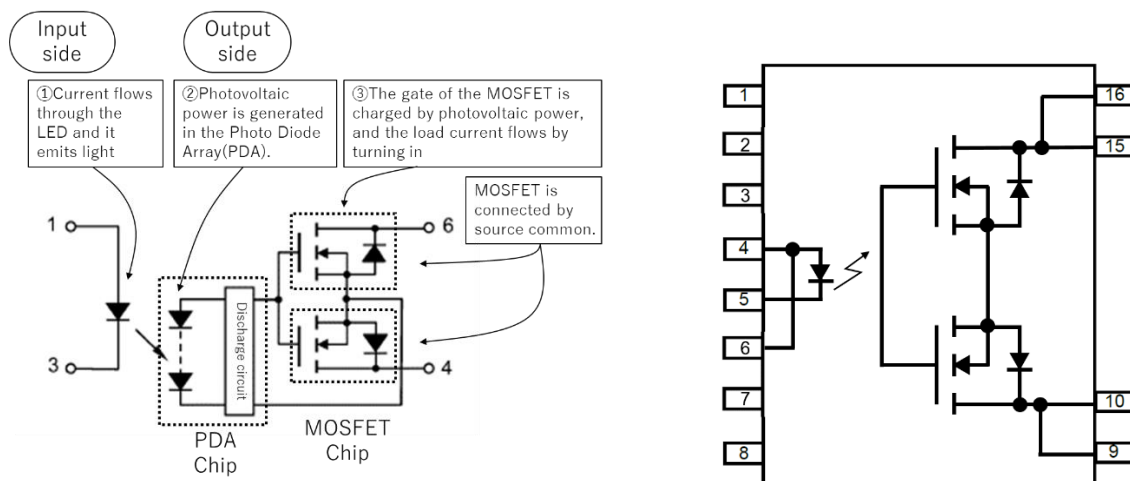


Fig. 2(a) Principles of Photorelay Operation

(b) TLX9160T Interior Structural Diagram

The LED emits light when the current flows through the LED. When the PDA receives the light, the PDA generates electric power (photovoltaic power). MOSFET is turned on by charging the gate of MOSFET to which this power is connected.

If the current to the LEDs falls below a certain level, the photovoltaic power of the PDAs will not be sufficient to charge the gates of MOSFET, resulting in an off-state. At this time, the gate charges of MOSFET are quickly pulled out through the control circuitry in the PDA-chip.

In addition, TLX9160T has been developed to accommodate higher voltages in environmentally friendly vehicles and assumes operating voltages of up to 1000V. For use at an operating voltage of 1000V, a creepage distance of at least 5mm is required (CTI>600, Pollution Degree 2 environmental). TLX9160T ensures a creepage of 5mm by eliminating the four terminals on the output side.

TLX9160T is also superior to TLX9175J in terms of rejection voltage enhancement and avalanche current performance addition. A comparison table of our in-vehicle photorelay products is shown below.

Table 1 Product Comparison Table2

*Ta=25°C unless otherwise specified

Product name	TLX9175J	TLX9160T
AEC-Q101	✓	✓*1
Tstg (min to Max)	-55 to 125°C	~55 to 150°C
Topr (min to Max)	-55 to 105°C	-40 to 125°C
BVs (min)	3750Vrms	5000Vrms
I _{AV} (Max) *2	-	0.6mA
Recommended operating VDD (Max)	450V	1000V
V _{OFF}	600V Bi-directional	1500V Bi-directional
I _{FT} (Max)	3mA	3mA
R _{ON} (Max)	335Ω @ IF=10mA, ION=15mA	250Ω @ IF=10mA, ION=50mA
I _{ON} (peak)	15mA (80mA @ 1ms)	50mA (150mA @ 1ms)
CTI (Comparative tracking index)	≥500	>600
Pin to pin clearance Secondary side	2.14mm	> 5mm *3
Package		

*1 The reliability test of high voltage application was carried out at 1200V.

*2 As a lifetime accumulation, it can be applied up to 5 times at the longest consecutive 1min and Duty cycle=0.1%.

*3 For application of operating voltage of 1000V, creepage distance of 5mm or more is required. @Pollution Degree 2, Material Gr.I

3. Applications for high-voltage photorelays

High-voltage photo relays cannot control high loads like mechanical relays. On the other hand, the photorelay has no contact wear, contact welding, and contact opening/closing limitations, making it possible to provide better-set reliability than Mechanical relay for applications that control low currents. Especially for the Battery Management System (BMS) with Mechanical relay welding detection circuit (1), Battery Total Voltage Monitoring circuit (2), and Ground Fault Detection circuit (3)

It is widely used in circuit applications that frequently switch while retaining which, high battery voltage.

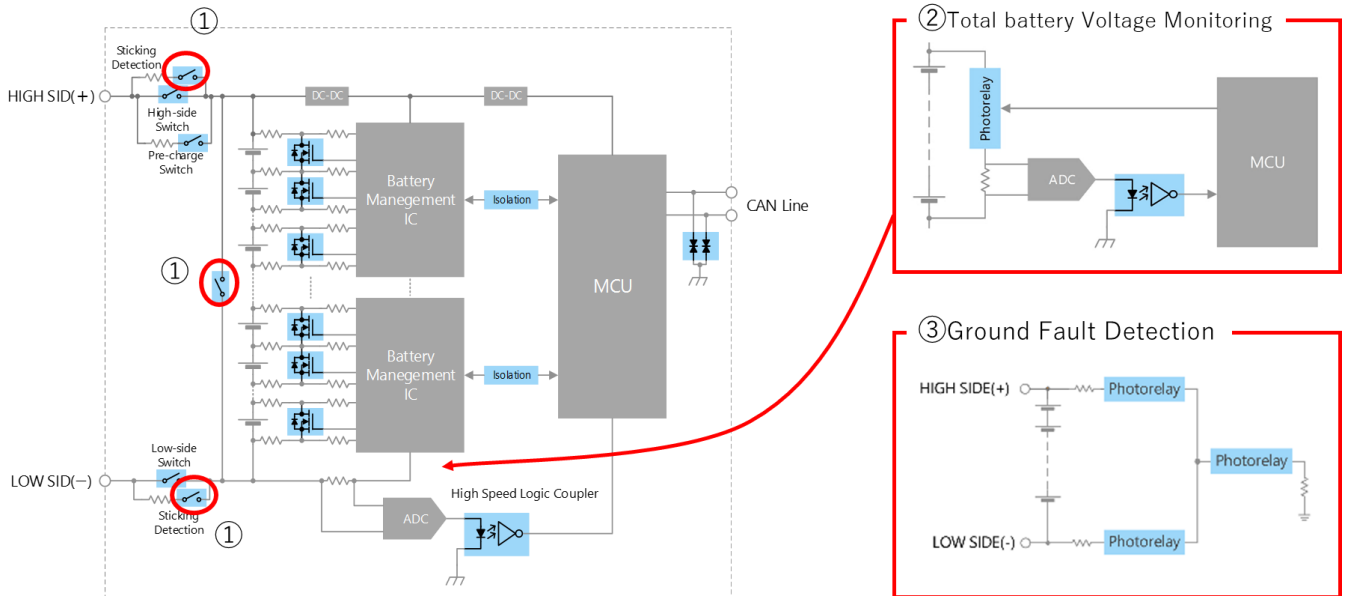


Figure 3 High Voltage Resistance Photorelay Application Block Diagram

3.1. Mechanical relay welding detection circuit

It is common to use mechanical relays with excellent characteristics because the main circuit for charging and discharging the battery is applied several hundred volts and several tens to several hundred amps. However, while the on characteristics are excellent, there is a risk of contact sticking and welding occurring in mechanical relays. If the mechanical relay welds, the charge/discharge circuit cannot be turned OFF, which is extremely dangerous. For this reason, it is necessary to check the presence or absence of welding of mechanical relays. Since the detection of welding does not require a huge current flow, it has been confirmed using a high withstand voltage photorelay with no sticking risk.

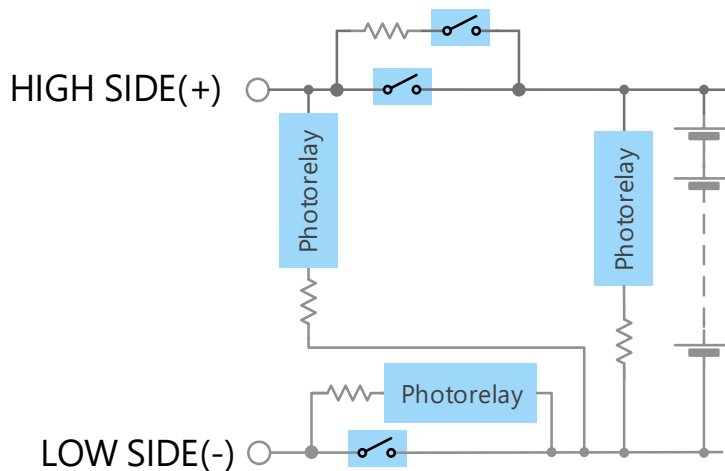


Fig. 4 Mechanical Relay Weld Detection Circuit (Example)

3.2. Total Battery Voltage Monitoring Circuit

Environmentally Friendly Vehicles (EVs, PHEV) run only at all times or often on motors. At that time, especially when starting, it is preferable to drive the motor with enormous electric power. For this reason, it is important to know the individual battery cells and the total voltage status of the entire in-vehicle battery, and it is desirable to monitor the total battery voltage.

Due to the need for total voltage monitoring, voltage monitoring is frequently required when a vehicle is running or stopped. For this reason, mechanical relays with contact open/close limitation and slow switching speed are unsuitable. In addition, for voltage monitoring, it is common to measure accurately through a shunt resistor or the like, and only a minimal current is applied. From these backgrounds, the photorelay, which is a non-contact relay, is used as an ON/OFF switch for this circuit.

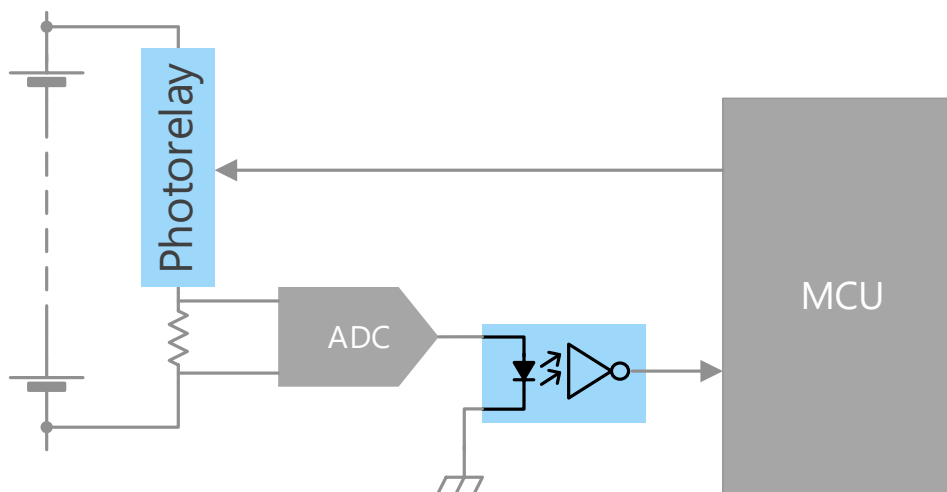


Figure 5 Battery Total Voltage Monitoring Circuit (Example)

3.3. Ground Fault Detection Circuit

As for the electrification of automobiles, vehicle drivability and in-vehicle comfort improve, while high voltages require passengers and peripheral equipment safety. It should avoid that the battery voltage flows into the chassis. In particular, there is a significant risk of electric shock to persons in the event of a ground fault or short circuit, which leads to continuity with the enclosure through a minimal resistance. For this reason, a ground fault detection circuit that confirms insulation is required for vehicles equipped with high-voltage batteries.

The presence or absence of this ground fault is checked at various events, such as when driving, stopping, charging, etc., and between events. Also, if the circuit switch remains in the ON state, normal detection cannot be performed. For this reason, the switch on the ground fault detection circuit employs a high withstand voltage photorelay that is free from contact wear and welding risk.

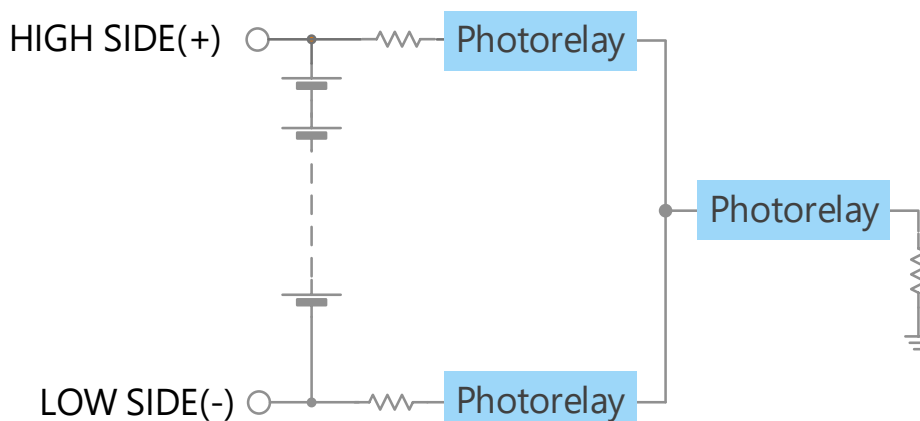


Figure 6 Ground Fault Detection Circuit (Example)

4. Withstanding Voltage Tests Required for Electric Vehicles

When adopting a battery system of 60V or higher, which requires insulation measures, it is necessary to confirm whether electric vehicles and in-vehicle equipment have appropriate insulation functions. This application note describes the following standards, which are specifically intended for protecting persons against electrical hazards.

International Standards ISO 6469-3, Japanese Industrial Standards JIS D5305-3, Chinese National Standards GB/T 18384-3, etc.

These standards are IEC 60664; Insulation coordination for equipment within low-voltage system, applied to equipment used at rated voltages of 1000 VAC or less, or 1500 VDC or less, and IEC 61140; Protection against electric shock. Taking JIS D5305-3 as an example here, one equipment is roughly classified into class II equipment which the dangerous charged part may come in contact with persons, and class I equipment which the dangerous charged part not come in contact with persons. And in each equipment, each insulation resistance is required. The procedure for checking this insulation resistance is a withstanding voltage test.

For Class I and Class II equipment, the withstanding voltage tests are defined below. However, this application note assumes that the equipment is Class I equipment.

Test voltage of withstanding voltage

Class I equipment: Basic insulation $2U+1000V_{rms}$ (Note)

Class II equipment: Auxiliary insulation $2U+2250V_{rms}$

Double insulation/reinforced insulation $2U+3250V_{rms}$

U : Maximum operating voltage of the electrical circuit

(NOTE) This test requires that a test voltage obtained by adding 1000 to twice the battery voltage be applied at 50 to 60Hz AC for 1 minute. If this test is performed with DC, the test voltage must be 1.41 times the AC voltage.

When Class-I equipment ^{*1}, battery voltage (U) =800V

$(2U + 1000) = 2 \times 800 + 1000 = 2600V_{rms}/1min. \Leftrightarrow 2600 \times 1.41 = 3666V_{dc}/1min.$

As shown in the example above, a voltage significantly higher than the battery voltage is applied to in-vehicle equipment in withstanding voltage testing. Naturally, this test is also applied to the insulation device. When using a photorelay, it is necessary to configure a circuit in which the photorelay is not destroyed even in a withstanding voltage test.

4.1. Mechanical relay welding detection circuit and Battery total voltage monitoring circuit

Only the battery voltage is applied between MOSFET during normal operation, so use below the recommended operating voltage will not destroy the photorelay.

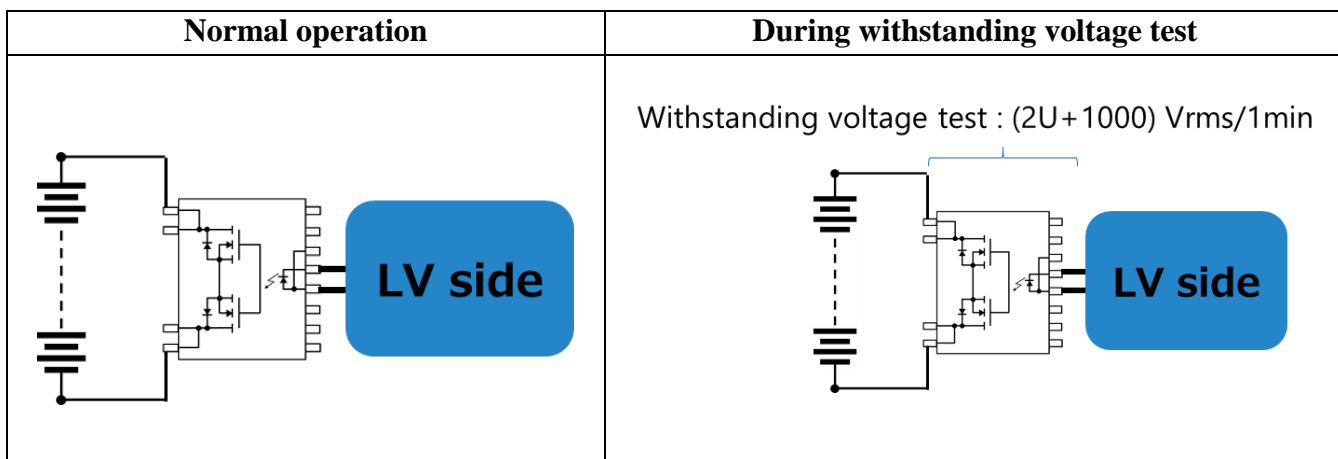
Also, when the withstanding voltage test voltage is calculated based on the battery system of 400V or less and 800V or less, which is common in the market,

Battery voltage = 400V : $2 \times 400 + 1000 = 1800 V_{rms}/1min. \Leftrightarrow$ Approximately 2538Vdc/ 1min.

Battery voltage = 800V : $2 \times 800 + 1000 = 2600 V_{rms}/1min. \Leftrightarrow$ Approximately 3666Vdc/ 1min.

The test voltage is equal to or lower than the respective isolation voltage (BVs) 3750Vrms, 5000Vrms. For this reason, the photorelay can be used without a special circuit configuration in the mechanical relay welding detection circuit and the battery total voltage monitoring circuit.

Table 2 Normal Operation/Withstanding Voltage Testing (Mechanical relay Weld Detection Circuit, Battery Total Voltage Monitoring Circuit)



4.2. Ground fault sensing circuit

In the same way, the earth fault detector applies only battery voltage between MOSFET during normal operation. Therefore, if it is used below the recommended operating voltage, the photorelay will not be damaged.

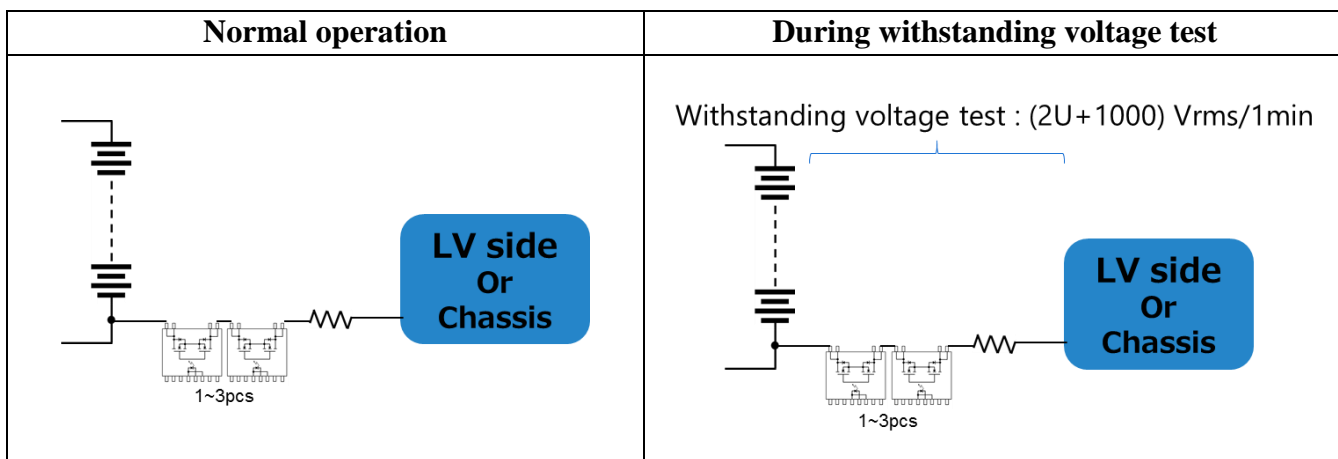
On the other hand, during withstanding voltage testing,

Battery voltage = 400V : 1800 Vrms/1min. ⇔ Approximately 2538Vdc/ 1min.

Battery voltage = 800V : 2600 Vrms/1min. ⇔ Approximately 3666Vdc/ 1min.

The above voltages are applied between MOSFET. These voltages significantly exceed the blocking voltage of TLX9175J, TLX9160T. For this reason, it is necessary to configure a circuit using either dividing the test voltage by connecting multiple units in series or inserting a huge resistance, or both, so that the photorelays are not destroyed in a withstanding voltage test.

Table 3 Normal Operation/Withstanding Voltage Test (Ground Fault Detection Circuit)



4.2.1. Applications of TLX9160T

In general, the photorelay's blocking voltage is guaranteed by the DC voltage. In withstanding voltage testing, it is necessary to check whether the photorelay can maintain the peak voltage of the AC test voltage or the DC test voltage. As described above, ground fault detection circuits often consist of a few photorelay, connected in series. For this reason, the following assumes that TLX9160T is connected in series for 2pcs in an 800V battery system.

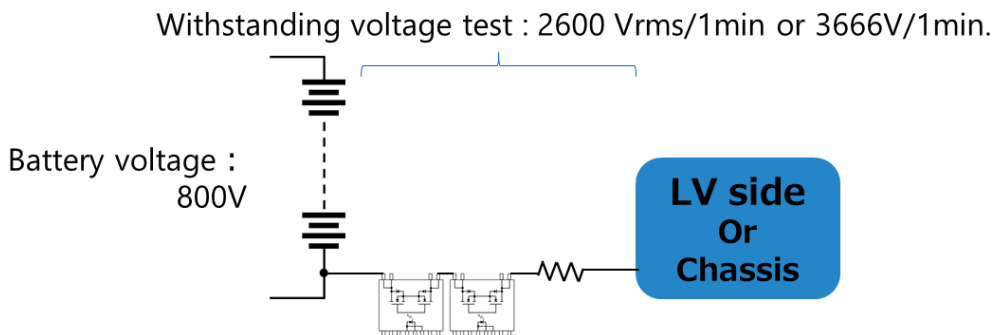


Fig. 7 Ground Fault Detection Circuit (Battery Voltage: 800V)

Since the battery voltage is 800V, the withstanding voltage test is 2600Vrms/1min or 3666Vdc/1min. This voltage must be held at TLX9160T 2 pieces.

Electrical Characteristics (Unless otherwise specified, Ta = 25°C)

Characteristics		Symbol	Test Condition	Min	Typ.	Max	Unit
LED	Forward voltage	V _F	I _F = 10 mA	1.5	1.65	1.8	V
			I _F = 10 mA, Ta = -40 to 125 °C	1.4	—	1.95	
	Reverse current	I _R	V _R = 5 V	—	—	10	μA
	Capacitance	C _T	V = 0 V, f = 1 MHz	—	45	—	pF
Detector	Output withstand voltage	V _{OFF}	I _{OFF} = 10μA, Ta = 25 °C (Note1)	1500	—	—	V
	Off-state current	I _{OFF}	V _{OFF} = 1000 V, Ta = 25 °C	—	—	100	nA
			V _{OFF} = 1000 V, Ta = 105 °C	—	—	1000	
			V _{OFF} = 1000 V, Ta = 125 °C	—	—	5000	
Capacitance	C _{OFF}	V _{OFF} = 0 V, f = 1 MHz	—	100	—	pF	

Note 1: Reliability test of applying high voltage is demonstrated at 1200V.

As shown in the data sheet, the blocking voltage of TLX9160T is 1500V (min),
 $3666V - 1500V \times 2 = 666V$

Even when two units are connected in series, 666V cannot be maintained for the withstanding voltage test voltage. At this time, if the limiting resistor that protects the photorelay is not on the circuit, an excessive current is applied to the photorelay and destroyed. The voltage that could not be retained must be divided into the limiting resistor. The setting of the limit resistance is calculated based on the avalanche current described in the datasheet.

Absolute Maximum Rating (Unless otherwise specified, Ta = 25°C) (Note)

Characteristics	Symbol	Rating	Unit
Forward current	I _F	30	mA
Avalanche current (Note 1)	I _{AV}	0.6	mA
Output power dissipation	P _O	600	mW
Output power dissipation derating (Ta ≥ 47 °C)	ΔP _O /°C	-7	mW/°C
Junction temperature	T _J	135	°C
Storage temperature	T _{stg}	-55 to 150	°C
Operating temperature	T _{opr}	-40 to 125	°C
Lead soldering temperature (10 s)	T _{sol}	260	°C
Isolation voltage (AC, 60 s, R.H. ≤ 60%) (Note 2)	BV _S	5000	V _{rms}

Note: Using continuously under heavy loads (e.g. the application of high temperature/current/voltage and the significant change in temperature, etc.) may cause this product to decrease in the reliability significantly even if the operating conditions (i.e. operating temperature/current/voltage, etc.) are within the absolute maximum ratings. Please design the appropriate reliability upon reviewing the Toshiba Semiconductor Reliability Handbook ("Handling Precautions"/"Derating Concept and Methods") and individual reliability data (i.e. reliability test report and estimated failure rate, etc).

Note: This product is more sensitive than conventional products to electrostatic discharge (ESD). It is therefore all the more necessary to observe general precautions regarding ESD when handling this component.

Note 1: 1min (max. continuous), Duty cycle=0.1%, 5 time over lifetime.

Note 2: LED pins are shorted together. Detector pins are also shorted together.

Note 3: Exponential curve, pulse width < 1ms, f ≤ 150Hz

TLX9160T datasheet guarantees avalanche current. Unlike the avalanche currents that are sometimes guaranteed under typical MOSFET, if the current is limited to less than this current even if MOSFET breaks over, the devices will not be damaged in one-minute continuous energization (lifetime: up to five times).

Since the avalanche current assurance of TLX9160T is 0.6mA,

$$666V / 0.6mA = 1.11M\Omega$$

By connecting a limiting resistor of 1.11MΩ or more in series with the product, TLX9160T can be used without being destroyed even in withstanding voltage testing.

4.2.2. Applications of TLX9175J

Since TLX9175J is used in a system of 400V or less, it is assumed that it is also used in a ground fault detector.

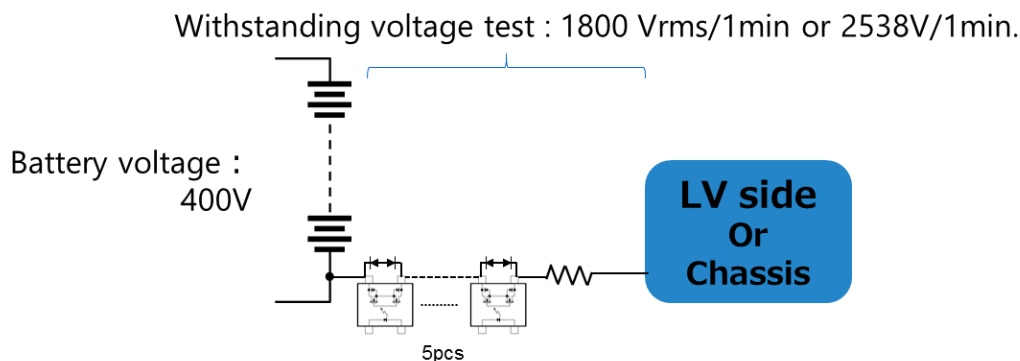


Fig. 8 Ground Fault Detection Circuit (Battery Voltage: 400V)

For 400V battery systems, the withstand voltage test is 1800Vrms/1min. or around 2538V/1min. This voltage must be held at TLX9175J.

Absolute Maximum Rating (Unless otherwise specified, Ta = 25°C) (Note)

Characteristics	Symbol	Rating	Unit
Forward current	I _F	25	mA
Off-state output terminal voltage	V _{OFF}	600	V

As per the absolute maximum ratings in the datasheet, TLX9175J has a blocking voltage of 600V. At least five TLX9175J must be connected in series to hold 2538 V. No voltage higher than 600V should be applied across MOSFET at any instant in TLX9175J. For this reason, protective devices such as zener diodes must be connected in parallel to the respective photorelays to protect TLX9175J.

4.2.3. Precautions for use above the blocking voltage

Do not operate the product ON/OFF when the voltage is higher than the blocking voltage. Since the withstanding voltage test is simply a test in which the photorelay is always in the OFF state, even if a voltage higher than the blocking voltage of the photorelay is applied, it can be divided into other products and resistors for use. However, switching operation of ON/OFF in an environment where a voltage higher than the blocking voltage is applied may cause an instant in which a single photorelay carries an excessive voltage due to switching misalignment between tests, which may lead to a failure of the photorelay or the protective device, or shortening of the photorelay life.

RESTRICTIONS ON PRODUCT USE

Toshiba Corporation and its subsidiaries and affiliates are collectively referred to as "TOSHIBA". Hardware, software and systems described in this document are collectively referred to as "Product".

- TOSHIBA reserves the right to make changes to the information in this document and related Product without notice.
- This document and any information herein may not be reproduced without prior written permission from TOSHIBA. Even with TOSHIBA's written permission, reproduction is permissible only if reproduction is without alteration/omission.
- Though TOSHIBA works continually to improve Product's quality and reliability, Product can malfunction or fail. Customers are responsible for complying with safety standards and for providing adequate designs and safeguards for their hardware, software and systems which minimize risk and avoid situations in which a malfunction or failure of Product could cause loss of human life, bodily injury or damage to property, including data loss or corruption. Before customers use the Product, create designs including the Product, or incorporate the Product into their own applications, customers must also refer to and comply with (a) the latest versions of all relevant TOSHIBA information, including without limitation, this document, the specifications, the data sheets and application notes for Product and the precautions and conditions set forth in the "TOSHIBA Semiconductor Reliability Handbook" and (b) the instructions for the application with which the Product will be used with or for. Customers are solely responsible for all aspects of their own product design or applications, including but not limited to (a) determining the appropriateness of the use of this Product in such design or applications; (b) evaluating and determining the applicability of any information contained in this document, or in charts, diagrams, programs, algorithms, sample application circuits, or any other referenced documents; and (c) validating all operating parameters for such designs and applications. **TOSHIBA ASSUMES NO LIABILITY FOR CUSTOMERS' PRODUCT DESIGN OR APPLICATIONS.**
- **PRODUCT IS NEITHER INTENDED NOR WARRANTED FOR USE IN EQUIPMENTS OR SYSTEMS THAT REQUIRE EXTRAORDINARILY HIGH LEVELS OF QUALITY AND/OR RELIABILITY, AND/OR A MALFUNCTION OR FAILURE OF WHICH MAY CAUSE LOSS OF HUMAN LIFE, BODILY INJURY, SERIOUS PROPERTY DAMAGE AND/OR SERIOUS PUBLIC IMPACT ("UNINTENDED USE").** Except for specific applications as expressly stated in this document, Unintended Use includes, without limitation, equipment used in nuclear facilities, equipment used in the aerospace industry, lifesaving and/or life supporting medical equipment, equipment used for automobiles, trains, ships and other transportation, traffic signaling equipment, equipment used to control combustions or explosions, safety devices, elevators and escalators, and devices related to power plant. **IF YOU USE PRODUCT FOR UNINTENDED USE, TOSHIBA ASSUMES NO LIABILITY FOR PRODUCT.** For details, please contact your TOSHIBA sales representative or contact us via our website.
- Do not disassemble, analyze, reverse-engineer, alter, modify, translate or copy Product, whether in whole or in part.
- Product shall not be used for or incorporated into any products or systems whose manufacture, use, or sale is prohibited under any applicable laws or regulations.
- The information contained herein is presented only as guidance for Product use. No responsibility is assumed by TOSHIBA for any infringement of patents or any other intellectual property rights of third parties that may result from the use of Product. No license to any intellectual property right is granted by this document, whether express or implied, by estoppel or otherwise.
- **ABSENT A WRITTEN SIGNED AGREEMENT, EXCEPT AS PROVIDED IN THE RELEVANT TERMS AND CONDITIONS OF SALE FOR PRODUCT, AND TO THE MAXIMUM EXTENT ALLOWABLE BY LAW, TOSHIBA (1) ASSUMES NO LIABILITY WHATSOEVER, INCLUDING WITHOUT LIMITATION, INDIRECT, CONSEQUENTIAL, SPECIAL, OR INCIDENTAL DAMAGES OR LOSS, INCLUDING WITHOUT LIMITATION, LOSS OF PROFITS, LOSS OF OPPORTUNITIES, BUSINESS INTERRUPTION AND LOSS OF DATA, AND (2) DISCLAIMS ANY AND ALL EXPRESS OR IMPLIED WARRANTIES AND CONDITIONS RELATED TO SALE, USE OF PRODUCT, OR INFORMATION, INCLUDING WARRANTIES OR CONDITIONS OF MERCHANTABILITY, FITNESS FOR A PARTICULAR PURPOSE, ACCURACY OF INFORMATION, OR NONINFRINGEMENT.**
- GaAs (Gallium Arsenide) is used in Product. GaAs is harmful to humans if consumed or absorbed, whether in the form of dust or vapor. Handle with care and do not break, cut, crush, grind, dissolve chemically or otherwise expose GaAs in Product.
- Do not use or otherwise make available Product or related software or technology for any military purposes, including without limitation, for the design, development, use, stockpiling or manufacturing of nuclear, chemical, or biological weapons or missile technology products (mass destruction weapons). Product and related software and technology may be controlled under the applicable export laws and regulations including, without limitation, the Japanese Foreign Exchange and Foreign Trade Law and the U.S. Export Administration Regulations. Export and re-export of Product or related software or technology are strictly prohibited except in compliance with all applicable export laws and regulations.
- Please contact your TOSHIBA sales representative for details as to environmental matters such as the RoHS compatibility of Product. Please use Product in compliance with all applicable laws and regulations that regulate the inclusion or use of controlled substances, including without limitation, the EU RoHS Directive. **TOSHIBA ASSUMES NO LIABILITY FOR DAMAGES OR LOSSES OCCURRING AS A RESULT OF NONCOMPLIANCE WITH APPLICABLE LAWS AND REGULATIONS.**

TOSHIBA ELECTRONIC DEVICES & STORAGE CORPORATION

<https://toshiba.semicon-storage.com>