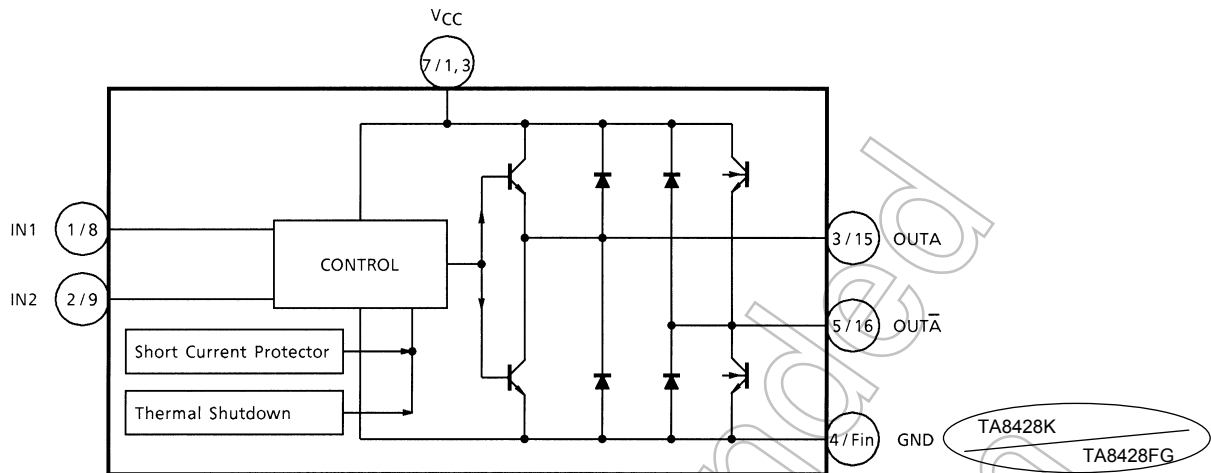




**BLOCK DIAGRAM**

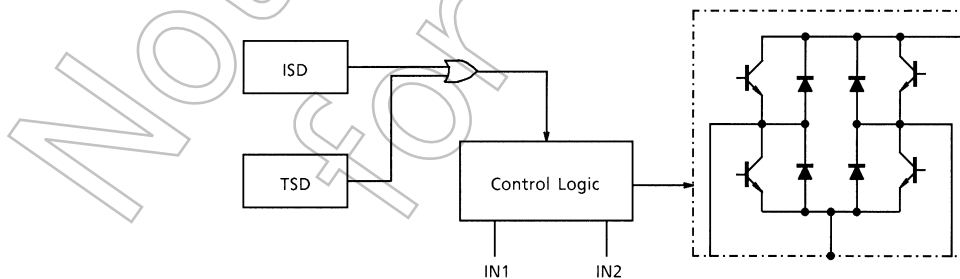


**PIN FUNCTION**

PIN No.		SYMBOL	FUNCTIONAL DESCRIPTION
K	FG		
1	8	IN1	TTL compatible control inputs.
2	9	IN2	(PNP type low active comparator inputs)
3	15	OUTA	Connection pin for a DC motor, which can sink and source currents of up to 1.5 A (TA8428K) or 0.8 A (TA8428FG). Two free-wheeling diodes are internally connected to this pin; one is between this pin and GND and the other is between this pin and VCC.
4	Fin	GND	GND terminal
5	16	OUT A-bar	Connection pin for a DC motor. This pin has the same function as the OUT A pin.
6	Other pin	N.C	Non connection
7	1, 3	VCC	Supply voltage terminal for control and motor drive.

**MULTI-PROTECTION CIRCUITS**

TA8428K, TA8428FG has 2 build-in protective functions which work independently. These circuit operations are as follows.



Note 1: These protection features are provided to temporarily avoid abnormal conditions such as output short circuits and are not guaranteed to prevent the IC from being damaged.

Note 2: These features do not operate outside the guaranteed operating ranges and the IC may be permanently damaged in case of output short circuits.

**THERMAL SHUTDOWN (TSD)**

- Basic Operation

When the junction temperature (chip temperature) is equal to or lower than the TSD threshold, output signals are controlled by input signals. However, when the junction temperature exceeds the threshold, output pins are put into a high-impedance state regardless of input signals.

- Functional Description

Temperature sensing is performed by monitoring the  $V_F$  voltage at an on-chip diode. When  $V_F$  is low compared to the internal reference voltage, the TSD circuit sends a signal to the control logic to turn off the output transistors. Otherwise, the control logic is controlled by the IN1 and IN2 inputs.

Not Recommended  
for New Design

## OVERCURRENT PROTECTION (ISD)

- Basic Operation

When output sink and source currents (TA8428K: at pins 3 and 5; TA8428FG: at pins 15 and 16) are equal to or lower than the overcurrent threshold, output signals are controlled by input signals. However, when any of these currents exceed the threshold, outputs are turned on and off periodically as shown in Figure 1.

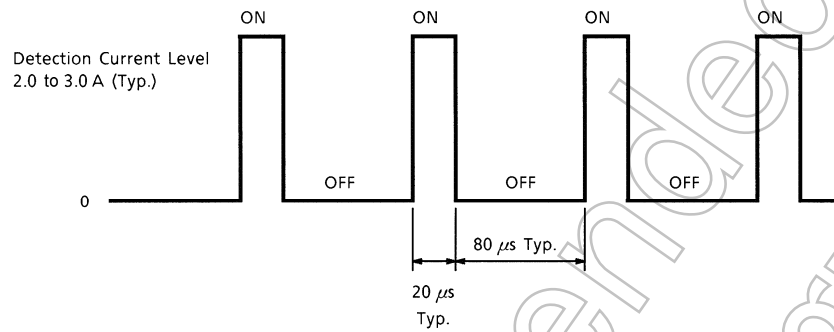
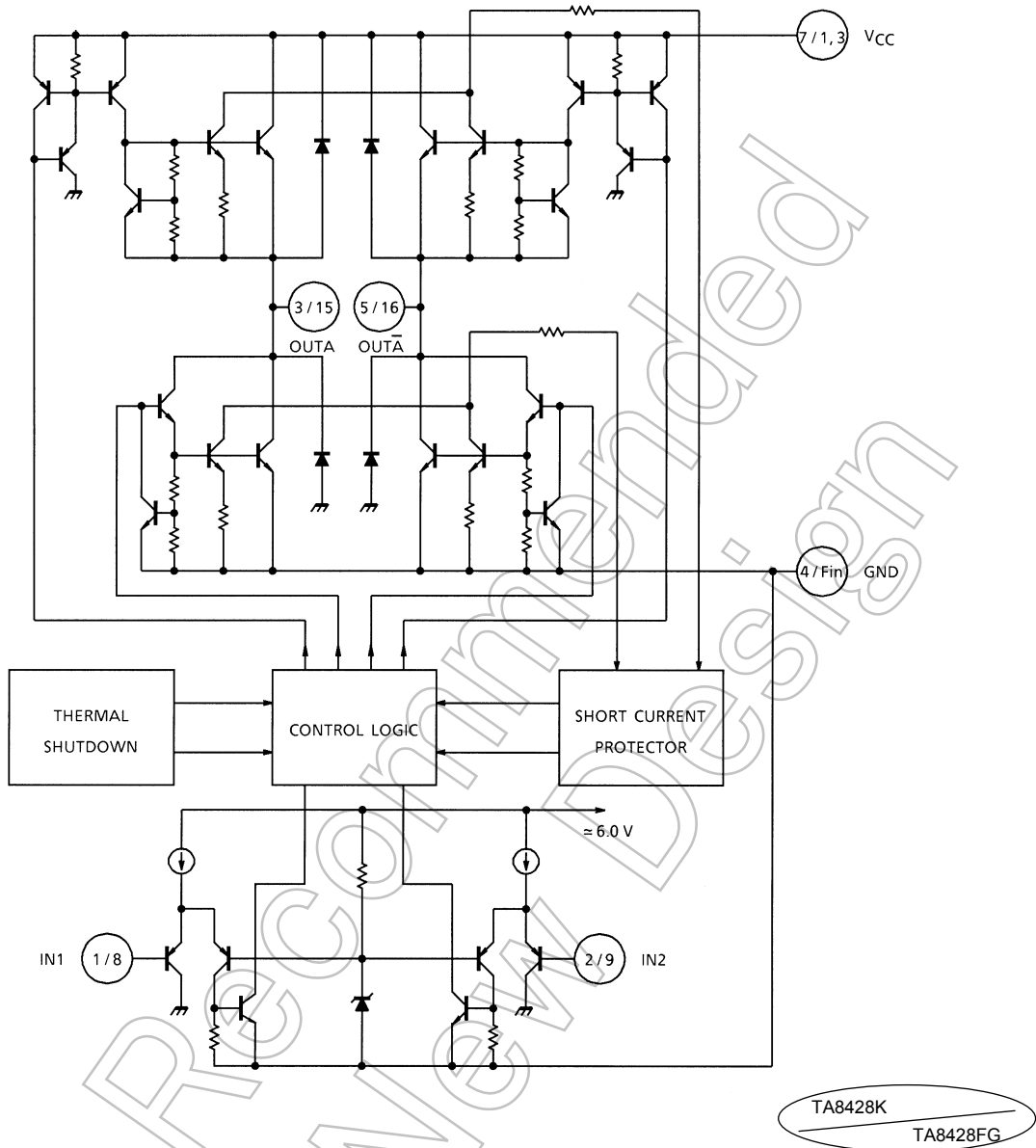


Figure 1 Basic Operation

- Functional Description

The output current is sensed by monitoring the  $V_{BE}$  voltage at each output transistor. The current sensor is connected to each output transistor and to the ISD circuit. If a current higher than the overcurrent threshold flows through any one of the four output transistors, the ISD circuit is activated. This circuit incorporates a timer. If the overcurrent condition persists for 20 μs (typ.), the output is switched to a high-impedance state. Then, it is turned back on after 80 μs (typ.). If the overcurrent condition still persists at this time, the ISD circuit repeats this overcurrent protection sequence until the overcurrent condition is removed. This circuit cannot protect the device from all types of over currents. If the outputs are short-circuited to each other or to ground, the IC may be permanently damaged before the protection circuit is activated. Therefore, a resistor or fuse should be connected in the supply voltage line.

INTERNAL CIRCUIT



## ABSOLUTE MAXIMUM RATINGS (T<sub>a</sub> = 25°C)

CHARACTERISTIC		SYMBOL	RATING	UNIT
Supply Voltage		V <sub>CC</sub>	30	V
Input Voltage		V <sub>IN</sub>	-0.3 to V <sub>CC</sub>	V
Output Current	K type	PEAK	I <sub>O</sub> (PEAK)	3.0 (Note 1)
		AVE.	I <sub>O</sub> (AVE.)	1.5
	FG type	PEAK	I <sub>O</sub> (PEAK)	2.4 (Note 1)
		AVE.	I <sub>O</sub> (AVE.)	0.8
Power Dissipation	K type	P <sub>D</sub>	1.25 (Note 2)	W
			10.0 (Note 3)	
	FG type	P <sub>D</sub>	1.9 (Note 4)	
			2.5 (Note 5)	
Operating Temperature		T <sub>opr</sub>	-30 to 85	°C
Storage Temperature		T <sub>stg</sub>	-55 to 150	°C

Note 1: t = 100 ms

Note 2: No heat sink

Note 3: T<sub>C</sub> = 85°C

Note 4: This value is obtained by 30 mm × 30 mm × 1.6 mm PCB mounting occupied copper area in excess of 60%

Note 5: This value is obtained by 50 mm × 50 mm × 1.6 mm PCB mounting occupied copper area in excess of 60%

## ELECTRICAL CHARACTERISTICS (V<sub>CC</sub> = 24 V, T<sub>a</sub> = 25°C)

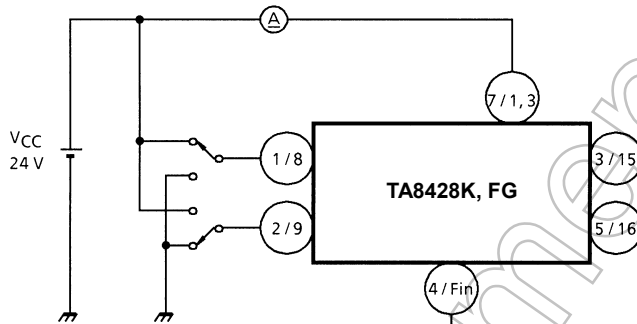
CHARACTERISTIC		SYMBOL	TEST CIR-CUIT	Test Condition	MIN	TYP.	MAX	UNIT
Quiescent Current		I <sub>CC1</sub>	1	Stop mode	—	8	15	mA
		I <sub>CC2</sub>		Forward/reverse mode	—	35	85	
		I <sub>CC3</sub>		Brake mode	—	16	30	
Input Voltage		V <sub>IL</sub>	2	—	—	—	0.8	V
		V <sub>IH</sub>		—	2.0	—	—	
Input Current		I <sub>IL</sub>	2	V <sub>IN</sub> = GND	—	—	50	μA
		I <sub>IH</sub>		V <sub>IN</sub> = V <sub>CC</sub>	—	—	10	
Output Saturation Voltage	K type	V <sub>sat</sub> (total)	3	I <sub>O</sub> = 1.5 A, T <sub>C</sub> = 25°C	—	2.2	2.9	V
	FG type			I <sub>O</sub> = 0.8 A, T <sub>C</sub> = 25°C	—	1.8	2.5	
Output Leakage Current		I <sub>LU</sub>	4	V <sub>L</sub> = 25 V	—	—	50	μA
		I <sub>LL</sub>			—	—	50	
Diode Forward Voltage	K type	I <sub>LU</sub>	4	I <sub>F</sub> = 1.5 A	—	2.6	—	V
		I <sub>LL</sub>			—	1.5	—	
	FG type	I <sub>LU</sub>		I <sub>F</sub> = 0.8 A	—	2.2	—	
		I <sub>LL</sub>			—	1.2	—	
Thermal Shutdown Circuit Operating Temperature		T <sub>SD</sub>	—	—	—	150	—	°C
Propagation Delay Time		t <sub>pLH</sub>	2	—	—	1	—	μs
		t <sub>pHL</sub>	2	—	—	1	—	

## INPUT/OUTPUT FUNCTION

INPUT		OUTPUT		OUTPUT MODE
IN1	IN2	OUTA	OUT $\bar{A}$	
H	H	L	L	Brake
L	H	L	H	CCW (CW)
H	L	H	L	CW (CCW)
L	L	OFF (high impedance)		Stop

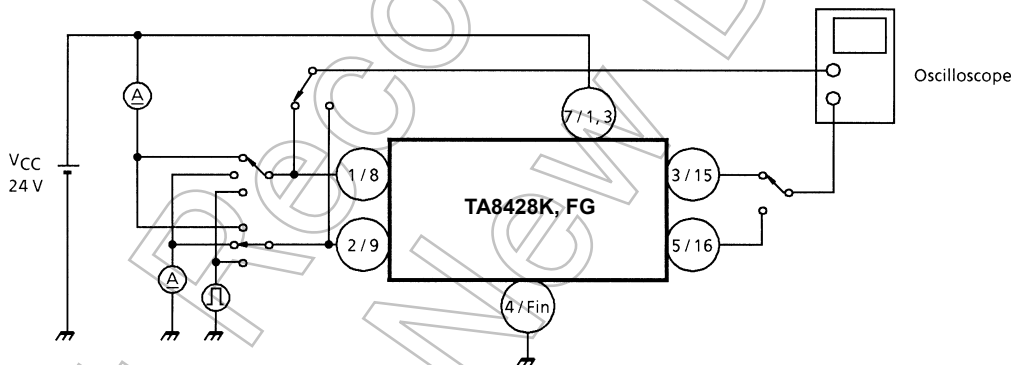
### TEST CIRCUIT 1

$I_{CC1}$ ,  $I_{CC2}$ ,  $I_{CC3}$



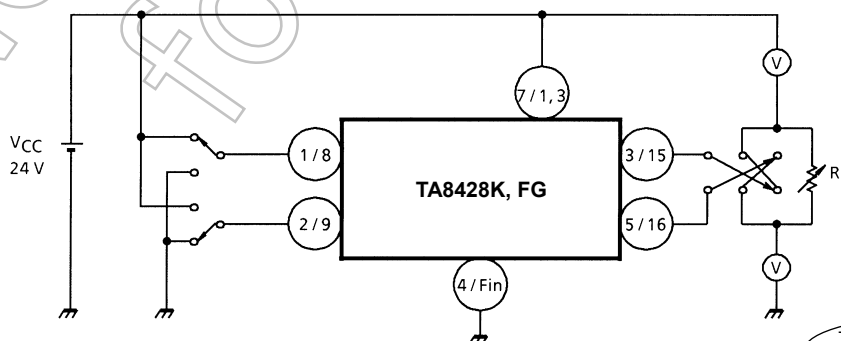
### TEST CIRCUIT 2

$V_{IL}$ ,  $V_{IH}$ ,  $I_{IL}$ ,  $I_{IH}$ ,  $t_{PLH}$ ,  $t_{PHL}$



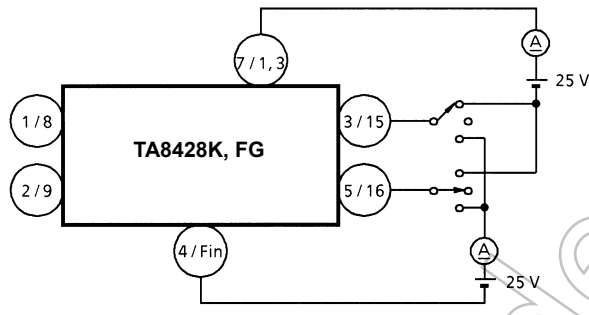
### TEST CIRCUIT 3

$V_{sat}$

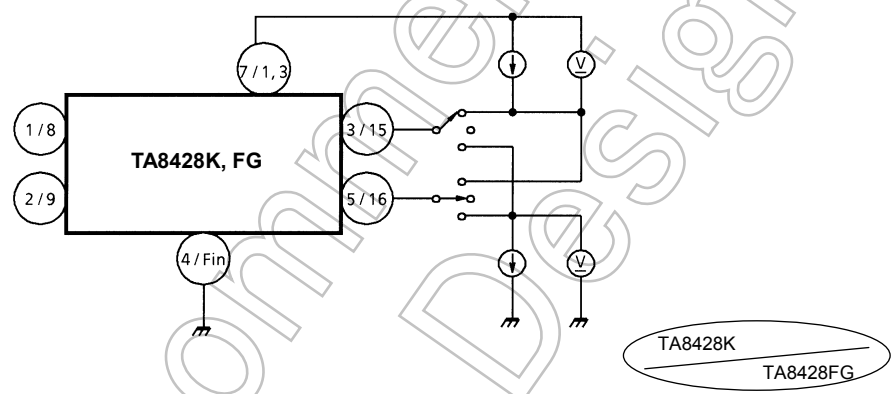


TA8428K  
TA8428FG

**TEST CIRCUIT 4**  
I<sub>LU</sub>, I<sub>LL</sub>

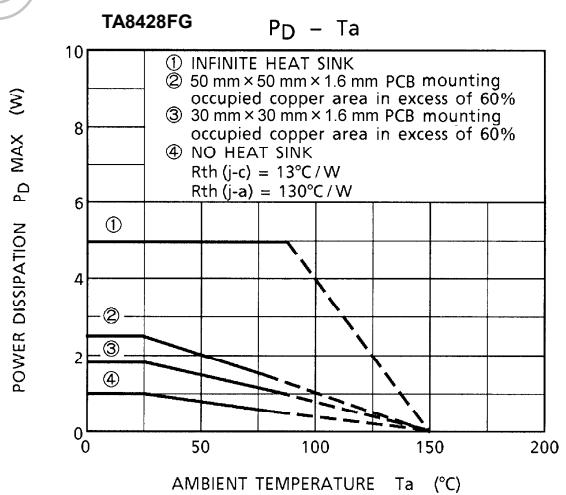
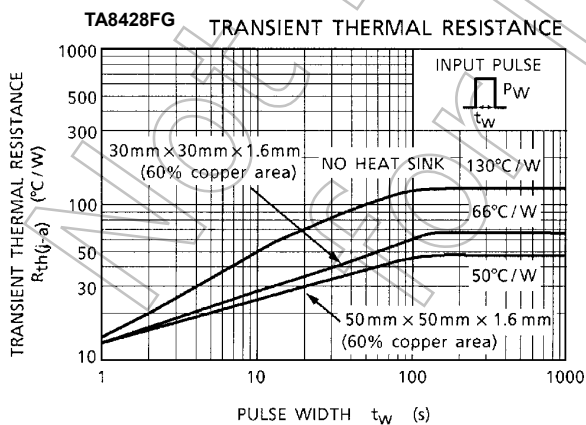
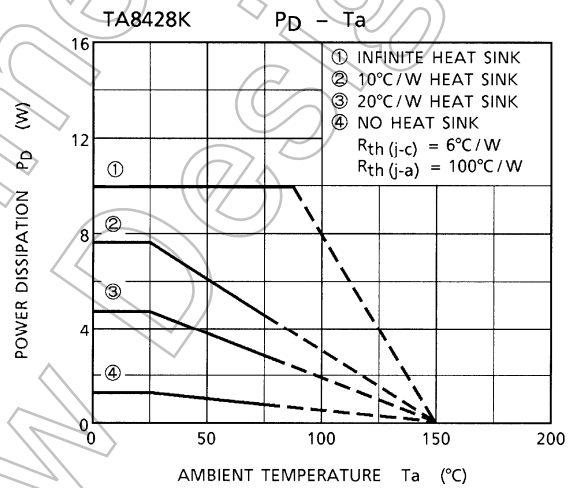
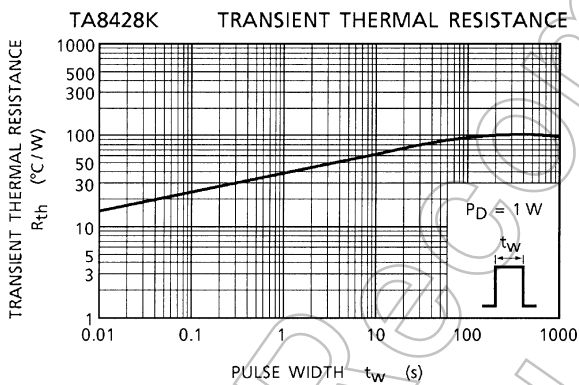
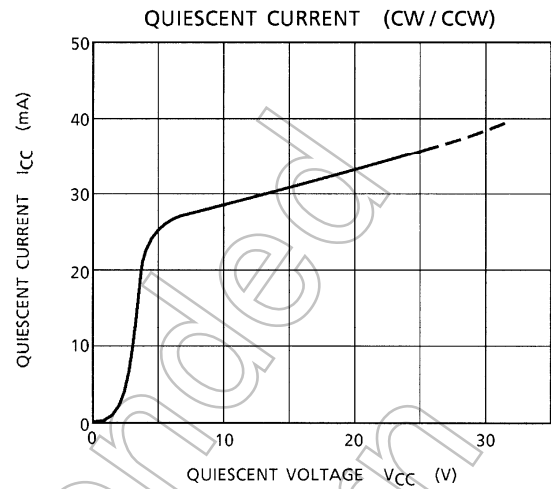
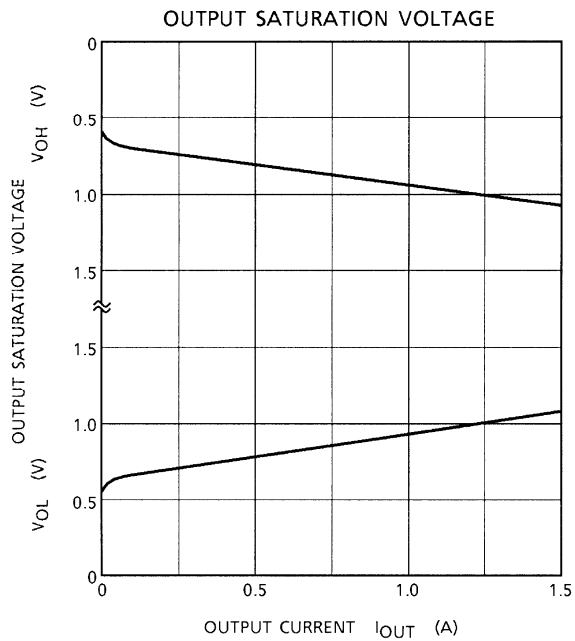


**TEST CIRCUIT 5**  
V<sub>FU</sub>, V<sub>FL</sub>

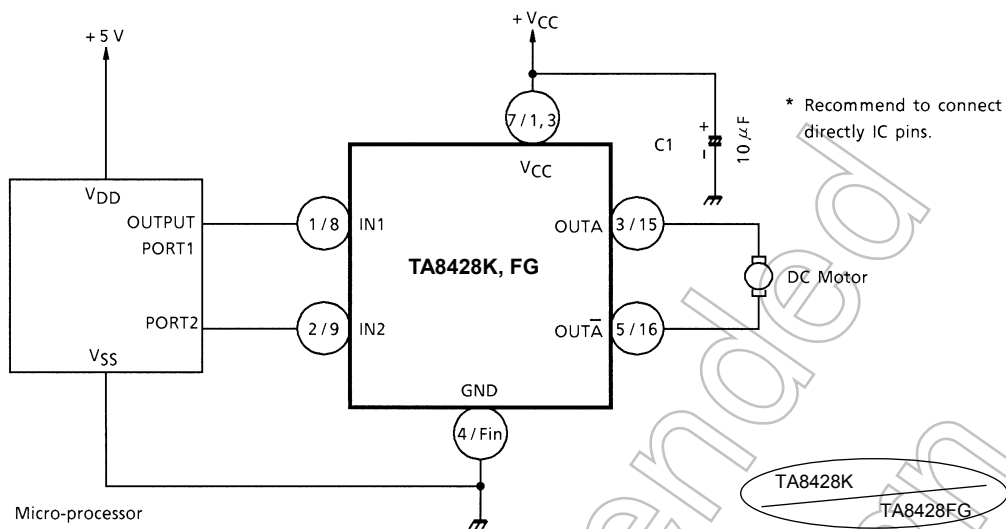


Not Recommended for New Design

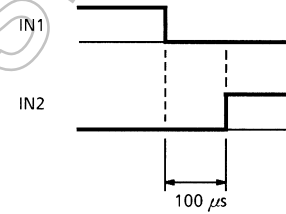




## APPLICATION CIRCUIT



TA8428K  
TA8428FG



Note 1: Recommend to take approximately 100  $\mu$ s of input dead time for reliable operations.

Note 2: In case of mounted on radiators, do not use silicon rubber. (TA8428K)

Note 3: Connect and use 1 pin and 3 pin surely. (TA8428FG)

Note 4: When  $V_{CC}$  is turned on, the IN1 and IN2 pins must be set low. These pins can be switched only after  $V_{CC}$  reaches the specified voltage.

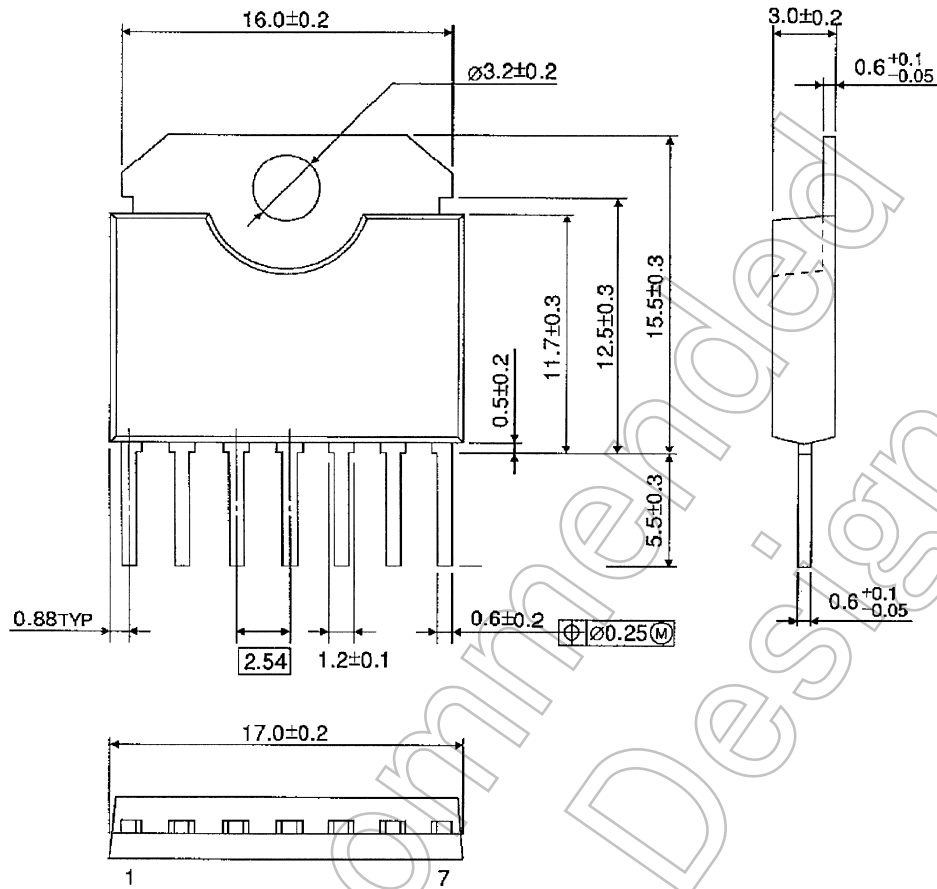
Note 5: Utmost care is necessary in the design of the output,  $V_{CC}$ , and GND lines since the IC may be destroyed by short-circuiting between outputs, air contamination faults, or faults due to improper grounding, or by short-circuiting between contiguous pins.

Not for New Design

**PACKAGE DIMENSIONS**

HSIP7-P-2.54

Unit : mm



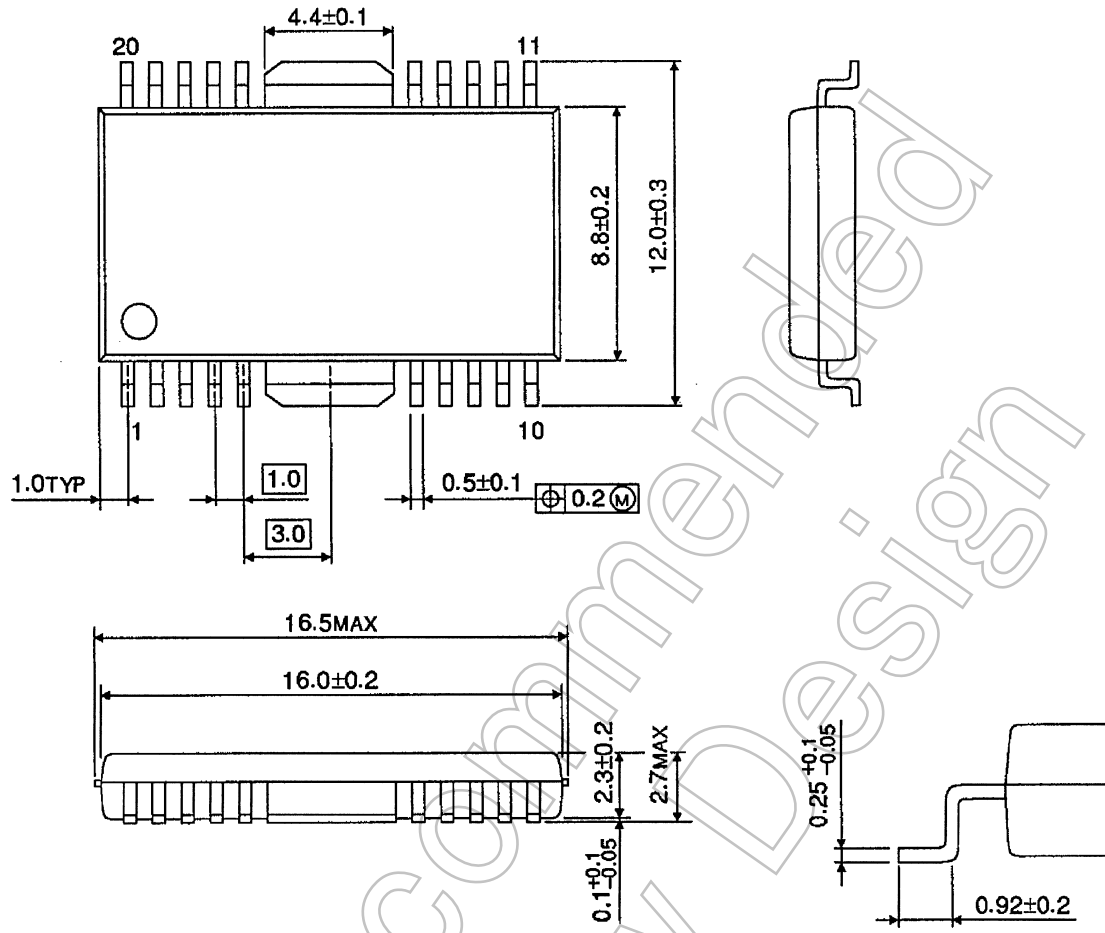
Weight : 1.88 g (Typ.)

Not Recommended for New Design

## PACKAGE DIMENSIONS

HSOP20-P-450-1.00

Unit : mm



Weight : 0.79 g (Typ.)

Not Recommended for New Design

**Notes on Contents****1. Block Diagrams**

Some of the functional blocks, circuits, or constants in the block diagram may be omitted or simplified for explanatory purposes.

**2. Equivalent Circuits**

The equivalent circuit diagrams may be simplified or some parts of them may be omitted for explanatory purposes.

**3. Timing Charts**

Timing charts may be simplified for explanatory purposes.

**4. Application Circuits**

The application circuits shown in this document are provided for reference purposes only. Thorough evaluation is required, especially at the mass production design stage.

Toshiba does not grant any license to any industrial property rights by providing these examples of application circuits.

**5. Test Circuits**

Components in the test circuits are used only to obtain and confirm the device characteristics. These components and circuits are not guaranteed to prevent malfunction or failure from occurring in the application equipment.

**IC Usage Considerations****Notes on handling of ICs**

- [1] The absolute maximum ratings of a semiconductor device are a set of ratings that must not be exceeded, even for a moment. Do not exceed any of these ratings.  
Exceeding the rating(s) may cause the device breakdown, damage or deterioration, and may result injury by explosion or combustion.
- [2] Use an appropriate power supply fuse to ensure that a large current does not continuously flow in case of over current and/or IC failure. The IC will fully break down when used under conditions that exceed its absolute maximum ratings, when the wiring is routed improperly or when an abnormal pulse noise occurs from the wiring or load, causing a large current to continuously flow and the breakdown can lead smoke or ignition. To minimize the effects of the flow of a large current in case of breakdown, appropriate settings, such as fuse capacity, fusing time and insertion circuit location, are required.
- [3] If your design includes an inductive load such as a motor coil, incorporate a protection circuit into the design to prevent device malfunction or breakdown caused by the current resulting from the inrush current at power ON or the negative current resulting from the back electromotive force at power OFF. IC breakdown may cause injury, smoke or ignition.  
Use a stable power supply with ICs with built-in protection functions. If the power supply is unstable, the protection function may not operate, causing IC breakdown. IC breakdown may cause injury, smoke or ignition.
- [4] Do not insert devices in the wrong orientation or incorrectly.  
Make sure that the positive and negative terminals of power supplies are connected properly.  
Otherwise, the current or power consumption may exceed the absolute maximum rating, and exceeding the rating(s) may cause the device breakdown, damage or deterioration, and may result injury by explosion or combustion.  
In addition, do not use any device that is applied the current with inserting in the wrong orientation or incorrectly even just one time.

**Points to remember on handling of ICs****(1) Over current Protection Circuit**

Over current protection circuits (referred to as current limiter circuits) do not necessarily protect ICs under all circumstances. If the Over current protection circuits operate against the over current, clear the over current status immediately.

Depending on the method of use and usage conditions, such as exceeding absolute maximum ratings can cause the over current protection circuit to not operate properly or IC breakdown before operation. In addition, depending on the method of use and usage conditions, if over current continues to flow for a long time after operation, the IC may generate heat resulting in breakdown.

**(2) Thermal Shutdown Circuit**

Thermal shutdown circuits do not necessarily protect ICs under all circumstances. If the thermal shutdown circuits operate against the over temperature, clear the heat generation status immediately.

Depending on the method of use and usage conditions, such as exceeding absolute maximum ratings can cause the thermal shutdown circuit to not operate properly or IC breakdown before operation.

**(3) Heat Radiation Design**

In using an IC with large current flow such as power amp, regulator or driver, please design the device so that heat is appropriately radiated, not to exceed the specified junction temperature ( $T_j$ ) at any time and condition. These ICs generate heat even during normal use. An inadequate IC heat radiation design can lead to decrease in IC life, deterioration of IC characteristics or IC breakdown. In addition, please design the device taking into consideration the effect of IC heat radiation with peripheral components.

**(4) Back-EMF**

When a motor rotates in the reverse direction, stops or slows down abruptly, a current flow back to the motor's power supply due to the effect of back-EMF. If the current sink capability of the power supply is small, the device's motor power supply and output pins might be exposed to conditions beyond maximum ratings. To avoid this problem, take the effect of back-EMF into consideration in system design.

Not Recommended  
for New Design

## RESTRICTIONS ON PRODUCT USE

- Toshiba Corporation, and its subsidiaries and affiliates (collectively "TOSHIBA"), reserve the right to make changes to the information in this document, and related hardware, software and systems (collectively "Product") without notice.
- This document and any information herein may not be reproduced without prior written permission from TOSHIBA. Even with TOSHIBA's written permission, reproduction is permissible only if reproduction is without alteration/omission.
- Though TOSHIBA works continually to improve Product's quality and reliability, Product can malfunction or fail. Customers are responsible for complying with safety standards and for providing adequate designs and safeguards for their hardware, software and systems which minimize risk and avoid situations in which a malfunction or failure of Product could cause loss of human life, bodily injury or damage to property, including data loss or corruption. Before customers use the Product, create designs including the Product, or incorporate the Product into their own applications, customers must also refer to and comply with (a) the latest versions of all relevant TOSHIBA information, including without limitation, this document, the specifications, the data sheets and application notes for Product and the precautions and conditions set forth in the "TOSHIBA Semiconductor Reliability Handbook" and (b) the instructions for the application with which the Product will be used with or for. Customers are solely responsible for all aspects of their own product design or applications, including but not limited to (a) determining the appropriateness of the use of this Product in such design or applications; (b) evaluating and determining the applicability of any information contained in this document, or in charts, diagrams, programs, algorithms, sample application circuits, or any other referenced documents; and (c) validating all operating parameters for such designs and applications. **TOSHIBA ASSUMES NO LIABILITY FOR CUSTOMERS' PRODUCT DESIGN OR APPLICATIONS.**
- Product is intended for use in general electronics applications (e.g., computers, personal equipment, office equipment, measuring equipment, industrial robots and home electronics appliances) or for specific applications as expressly stated in this document. Product is neither intended nor warranted for use in equipment or systems that require extraordinarily high levels of quality and/or reliability and/or a malfunction or failure of which may cause loss of human life, bodily injury, serious property damage or serious public impact ("Unintended Use"). Unintended Use includes, without limitation, equipment used in nuclear facilities, equipment used in the aerospace industry, medical equipment, equipment used for automobiles, trains, ships and other transportation, traffic signaling equipment, equipment used to control combustions or explosions, safety devices, elevators and escalators, devices related to electric power, and equipment used in finance-related fields. Do not use Product for Unintended Use unless specifically permitted in this document.
- Do not disassemble, analyze, reverse-engineer, alter, modify, translate or copy Product, whether in whole or in part.
- Product shall not be used for or incorporated into any products or systems whose manufacture, use, or sale is prohibited under any applicable laws or regulations.
- The information contained herein is presented only as guidance for Product use. No responsibility is assumed by TOSHIBA for any infringement of patents or any other intellectual property rights of third parties that may result from the use of Product. No license to any intellectual property right is granted by this document, whether express or implied, by estoppel or otherwise.
- **ABSENT A WRITTEN SIGNED AGREEMENT, EXCEPT AS PROVIDED IN THE RELEVANT TERMS AND CONDITIONS OF SALE FOR PRODUCT, AND TO THE MAXIMUM EXTENT ALLOWABLE BY LAW, TOSHIBA (1) ASSUMES NO LIABILITY WHATSOEVER, INCLUDING WITHOUT LIMITATION, INDIRECT, CONSEQUENTIAL, SPECIAL, OR INCIDENTAL DAMAGES OR LOSS, INCLUDING WITHOUT LIMITATION, LOSS OF PROFITS, LOSS OF OPPORTUNITIES, BUSINESS INTERRUPTION AND LOSS OF DATA, AND (2) DISCLAIMS ANY AND ALL EXPRESS OR IMPLIED WARRANTIES AND CONDITIONS RELATED TO SALE, USE OF PRODUCT, OR INFORMATION, INCLUDING WARRANTIES OR CONDITIONS OF MERCHANTABILITY, FITNESS FOR A PARTICULAR PURPOSE, ACCURACY OF INFORMATION, OR NONINFRINGEMENT.**
- Do not use or otherwise make available Product or related software or technology for any military purposes, including without limitation, for the design, development, use, stockpiling or manufacturing of nuclear, chemical, or biological weapons or missile technology products (mass destruction weapons). Product and related software and technology may be controlled under the Japanese Foreign Exchange and Foreign Trade Law and the U.S. Export Administration Regulations. Export and re-export of Product or related software or technology are strictly prohibited except in compliance with all applicable export laws and regulations.
- Please contact your TOSHIBA sales representative for details as to environmental matters such as the RoHS compatibility of Product. Please use Product in compliance with all applicable laws and regulations that regulate the inclusion or use of controlled substances, including without limitation, the EU RoHS Directive. TOSHIBA assumes no liability for damages or losses occurring as a result of noncompliance with applicable laws and regulations.